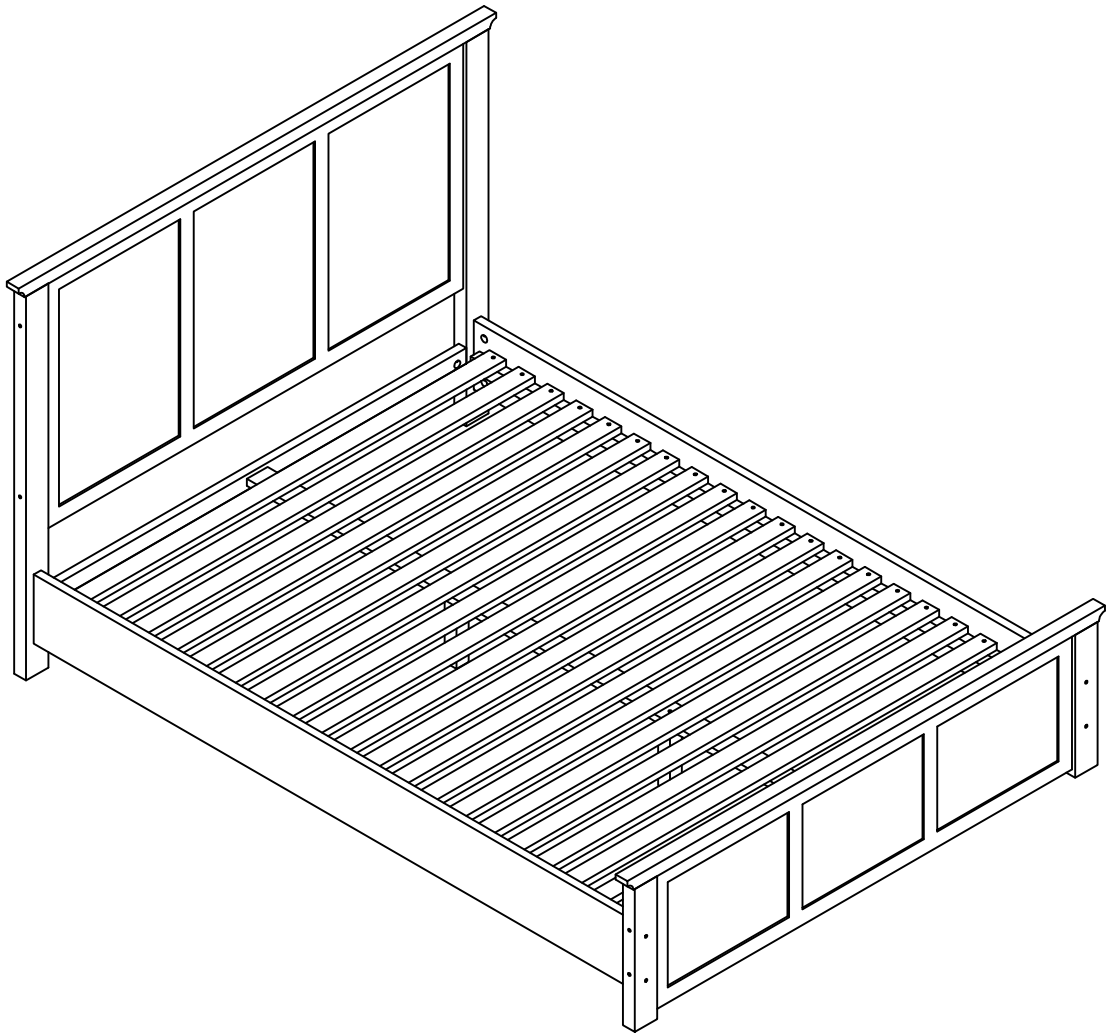

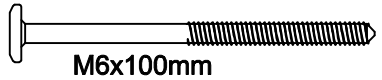


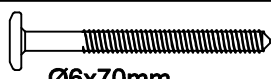


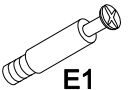


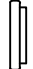


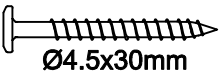

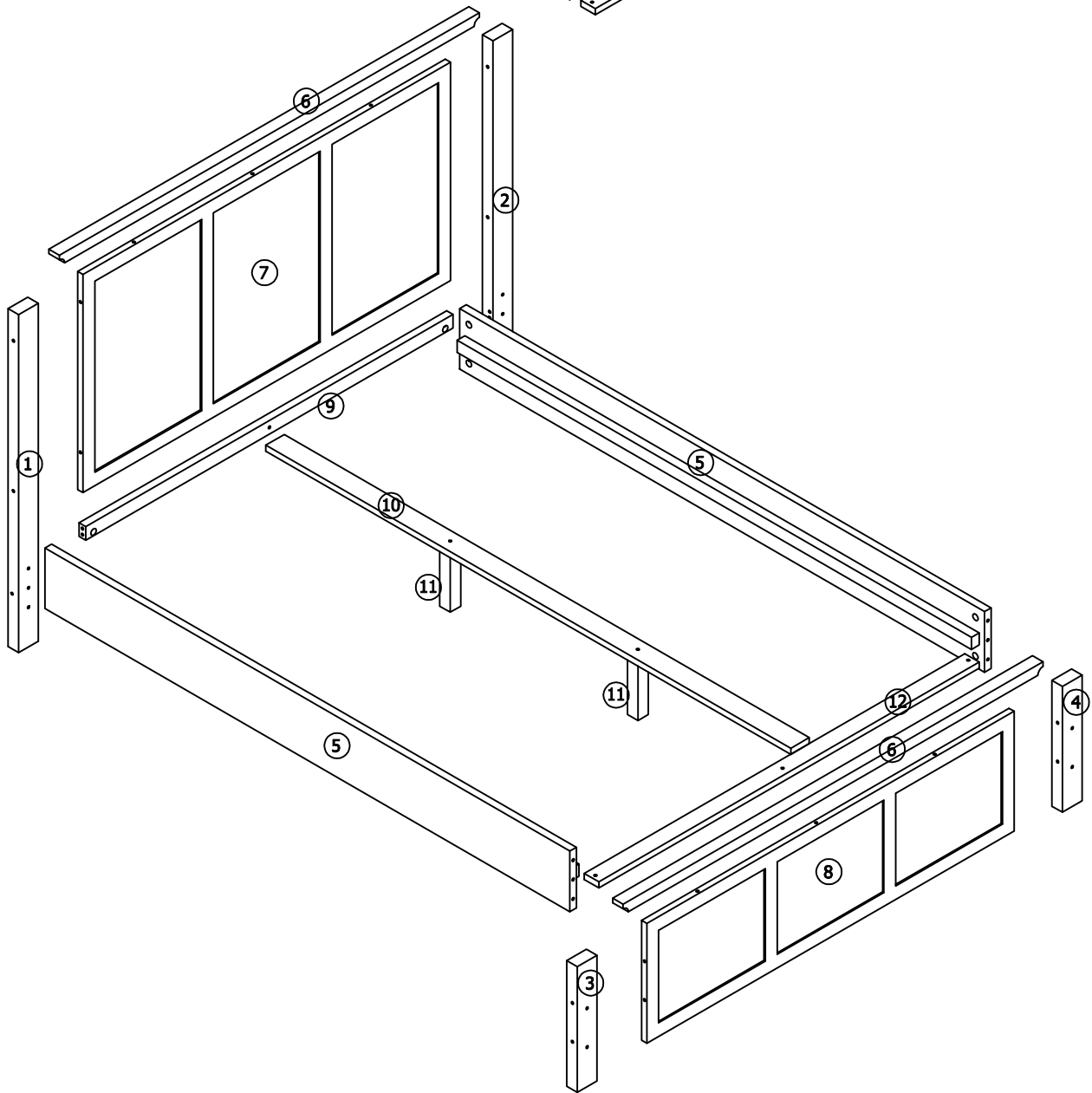
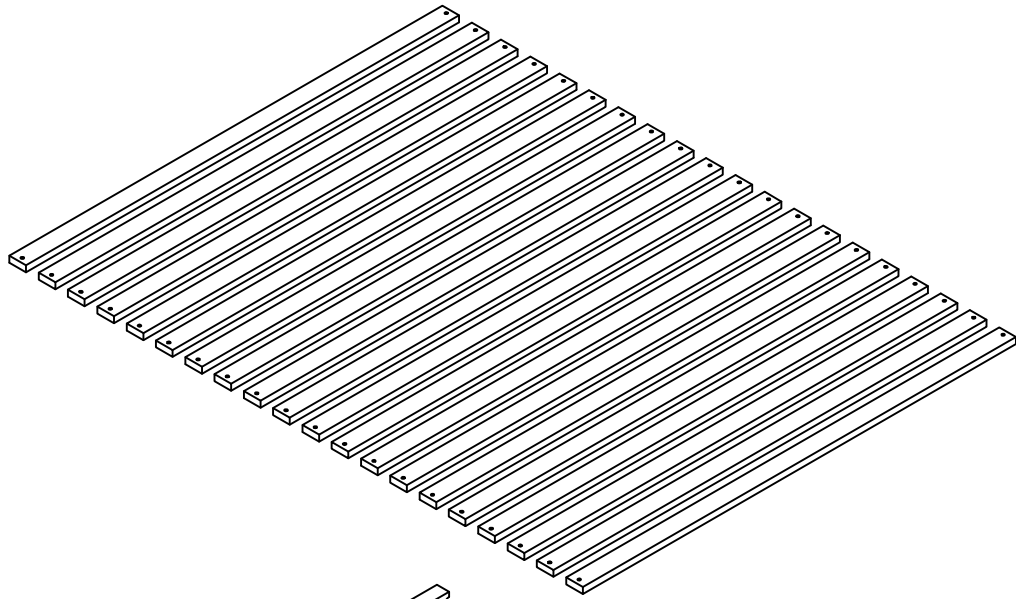


MINAR

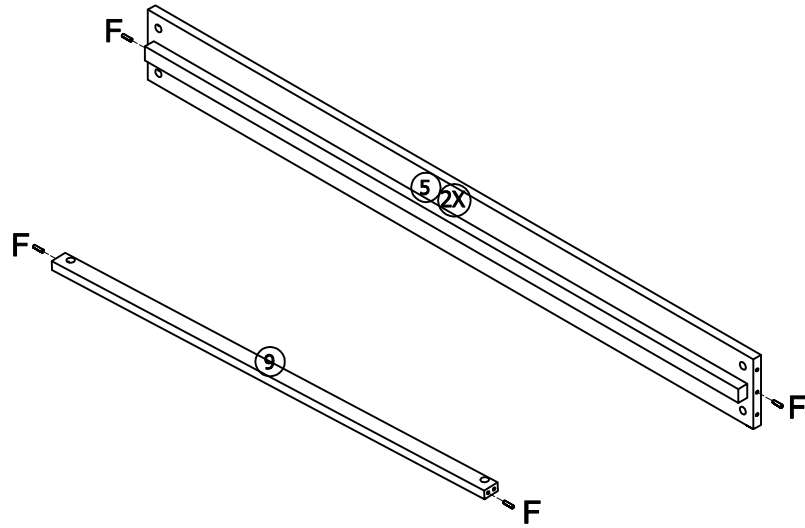


A	 15mm	 M6x100mm	10
B			18
C	 15mm	 Ø6x70mm	08
D	 10mm	 Ø7x60mm	03
E	 E1	 E2	06

F	 Ø8x30mm	06	
G	  Ø15mm	18	
H	 8mm	 Ø4.5x30mm	39
I		02	



01



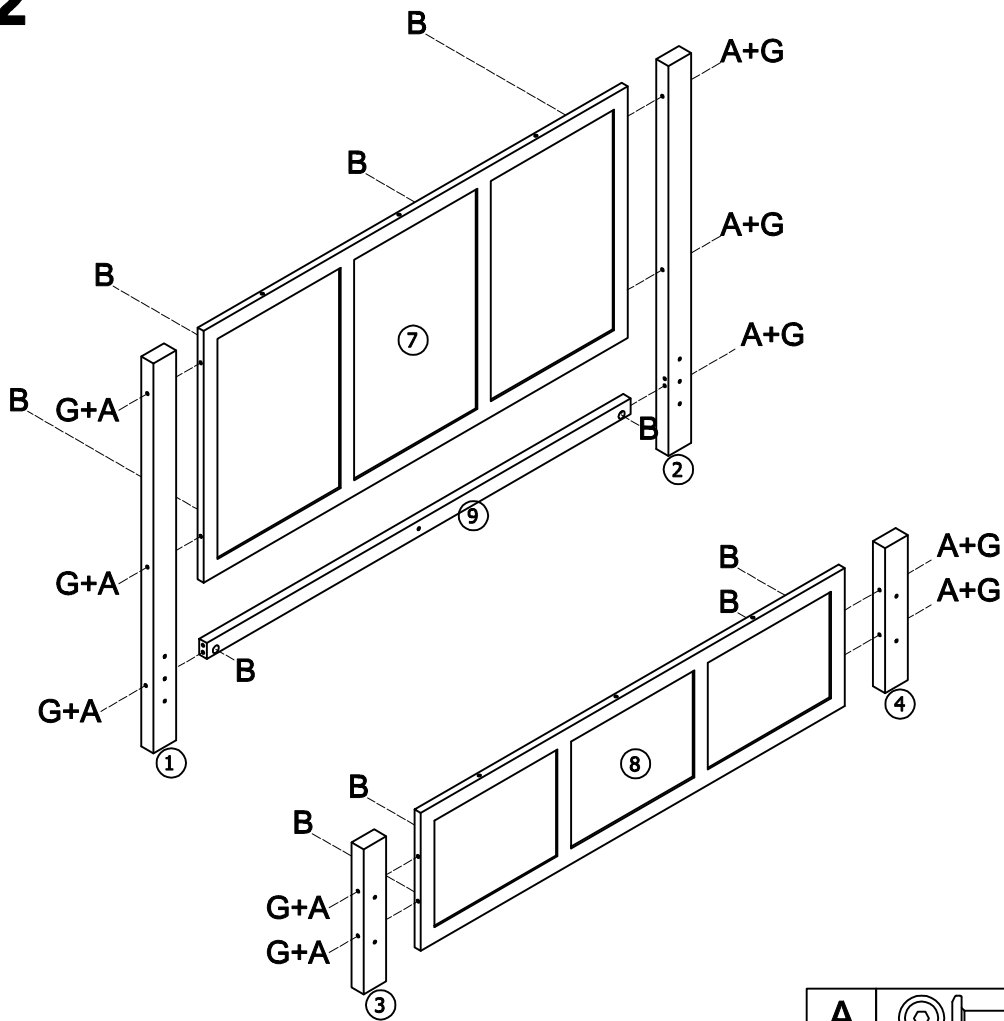
F






Ø8x30mm

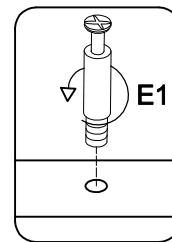
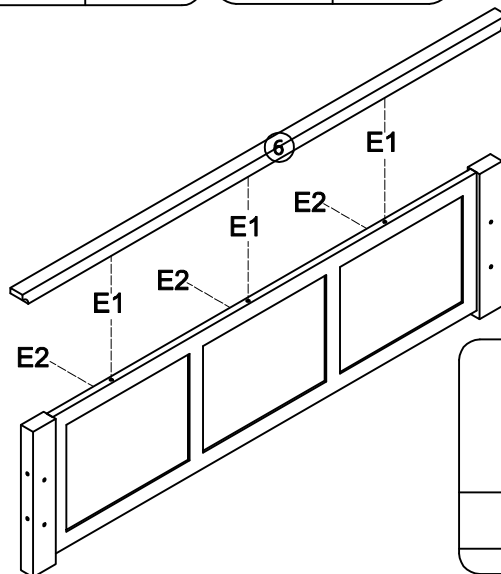
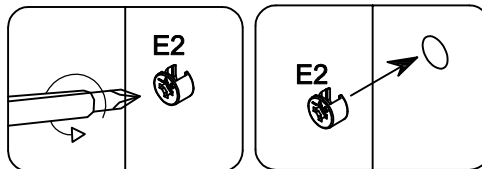
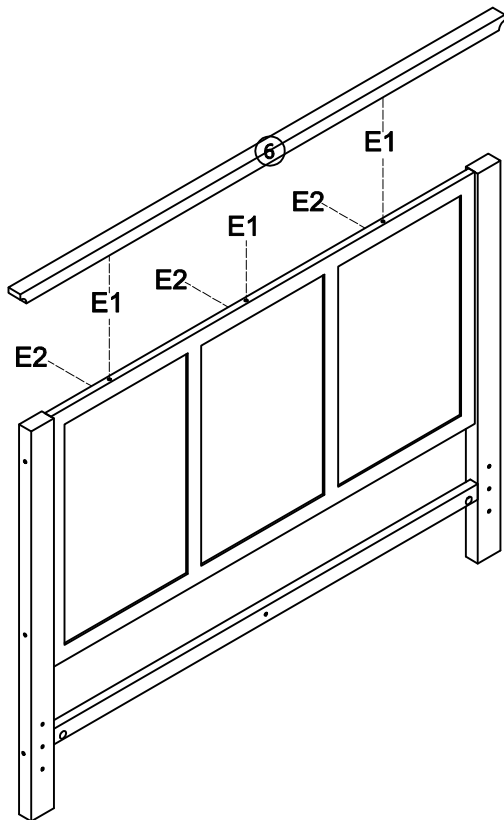
06



02



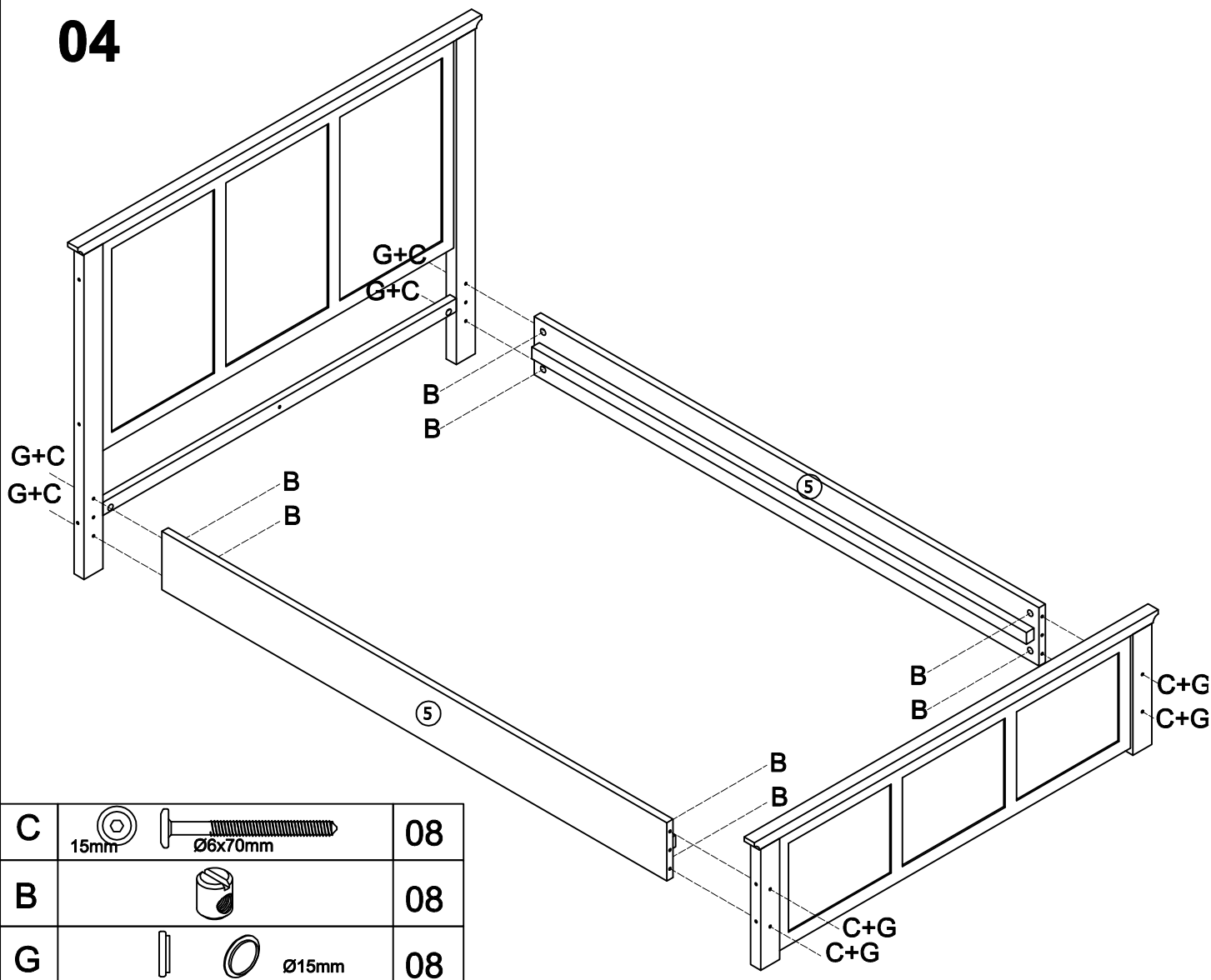
A	 M6x90mm	10
B		10
G	 Ø15mm	10






03



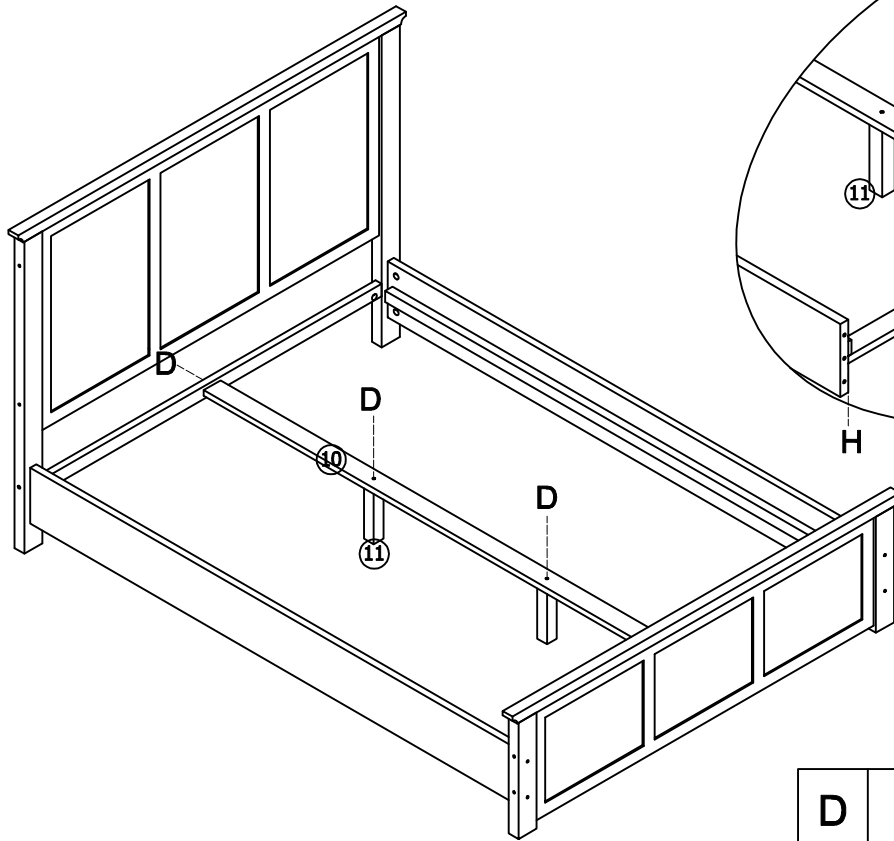
E			E2	06
---	---	---	----	----


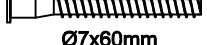

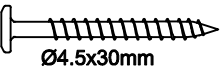
04



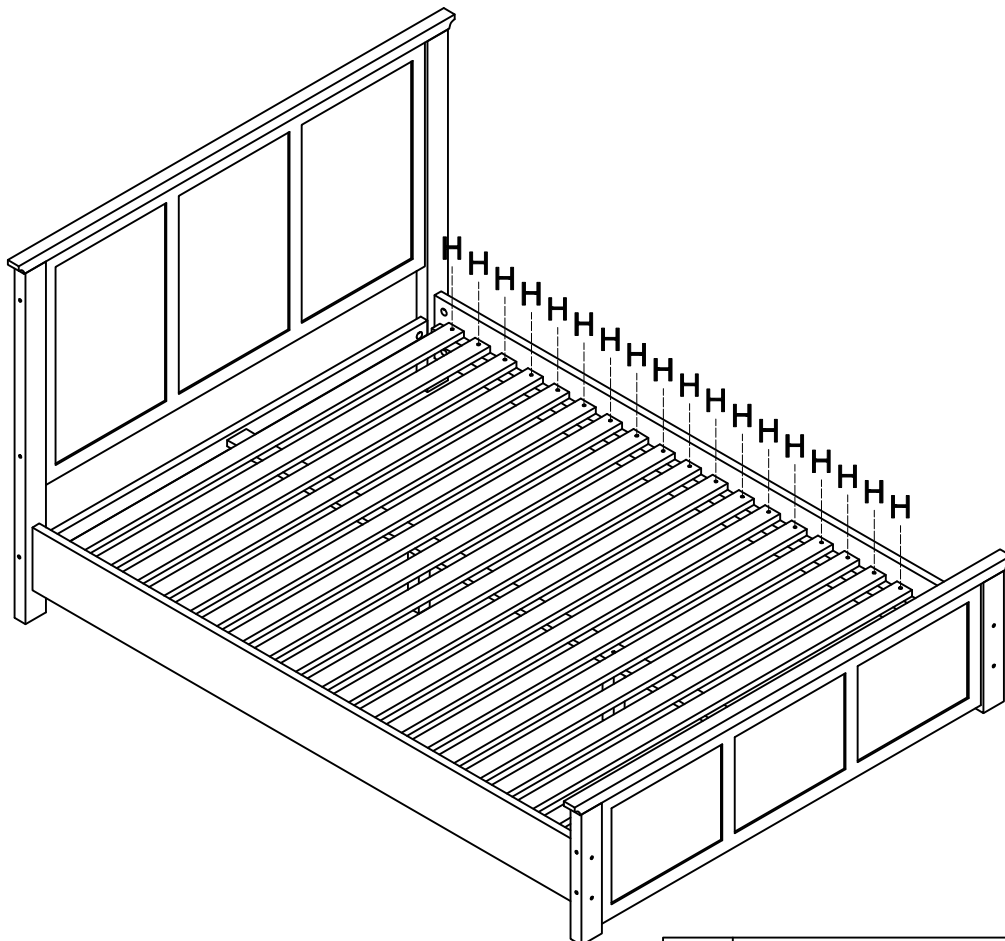
C			08
B			08
G			08


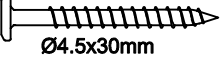
05



D	 10mm	 Ø7x60mm	03
H	 8mm	 Ø4.5x30mm	03

06



H	 8mm	 Ø4.5x30mm	36
---	---	---	----