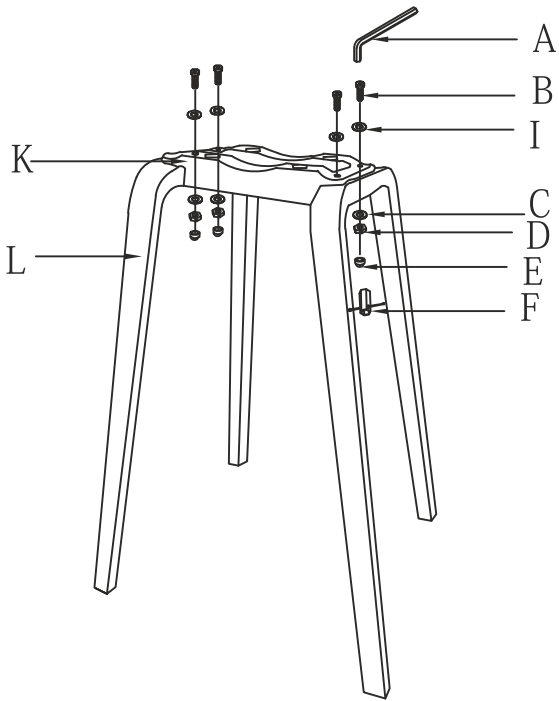
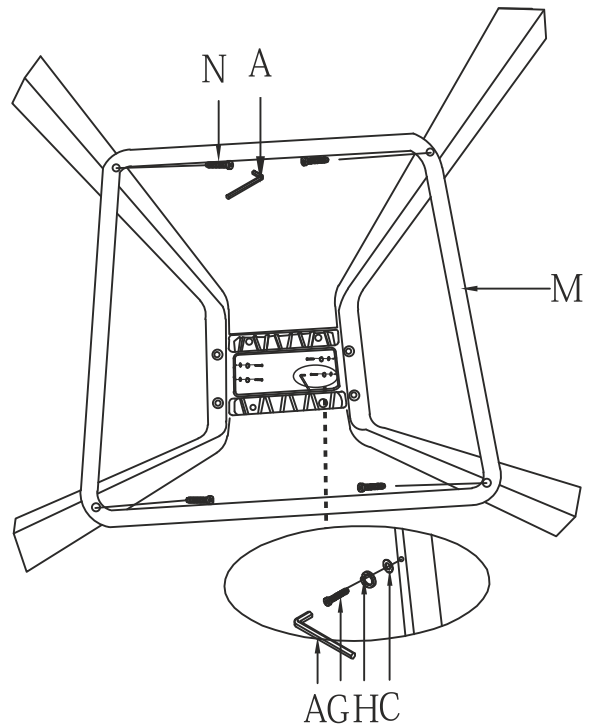


# BRAGA

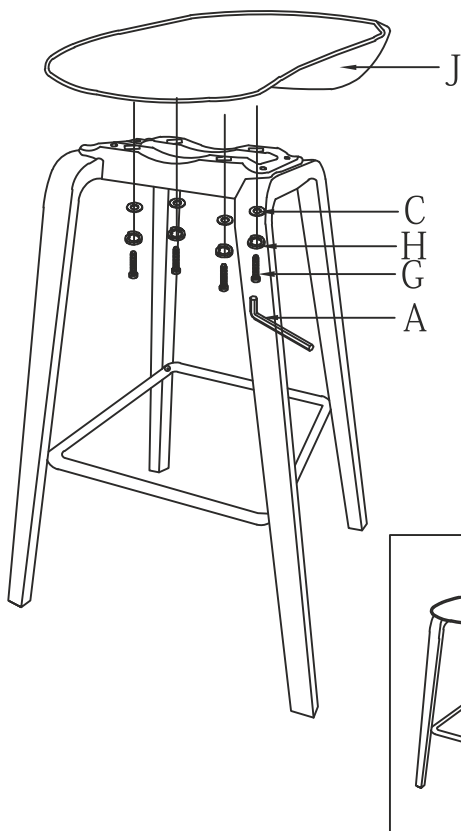
1



2



3



A			1
B		6X35MM	4
C		6X18X2MM	12
D			4
E			4
F			1
G		6X25MM	8
H			8
I		6X14X1MM	4
J			1
K			1
L			2
M			1
N		6X30MM	4