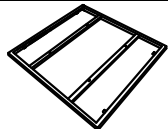






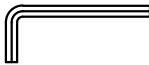
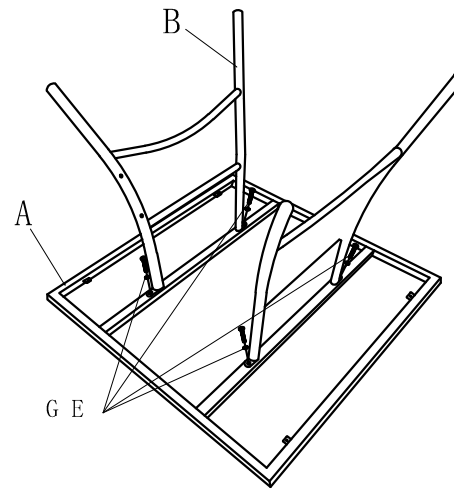
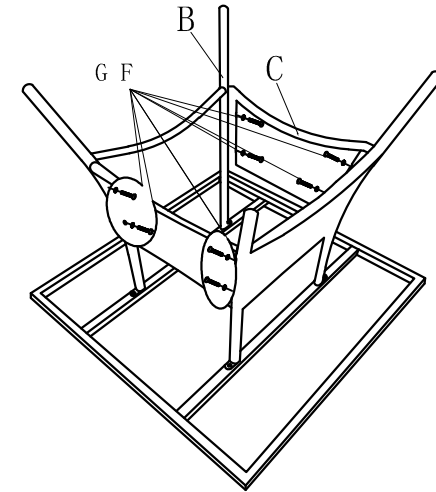


# ZULEM

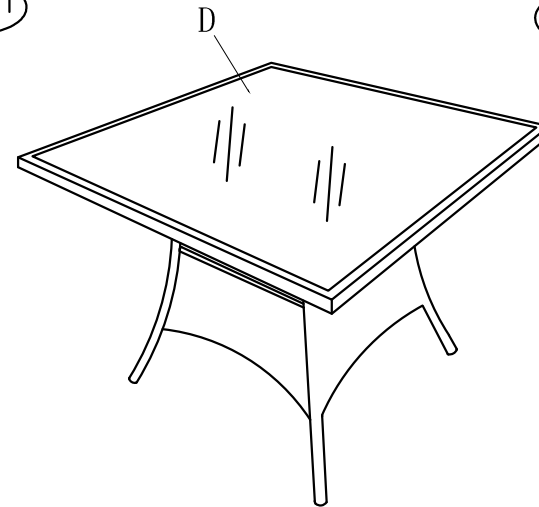
A		1
B		2
C		2
D		1
E	 M6*16	4
F	 M6*40	8
G	 $\Phi 16*\Phi 8*1T$	12
H		1



Step1



Step2



Step3