



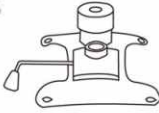




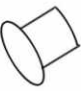


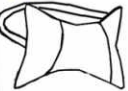


AGENA

A  x1	B  x1	C  x2	D  x1	E  x1	F  x5	
G  x1	H  x1	I  x1	J  x8	K  x4	L  x8	M  x1

