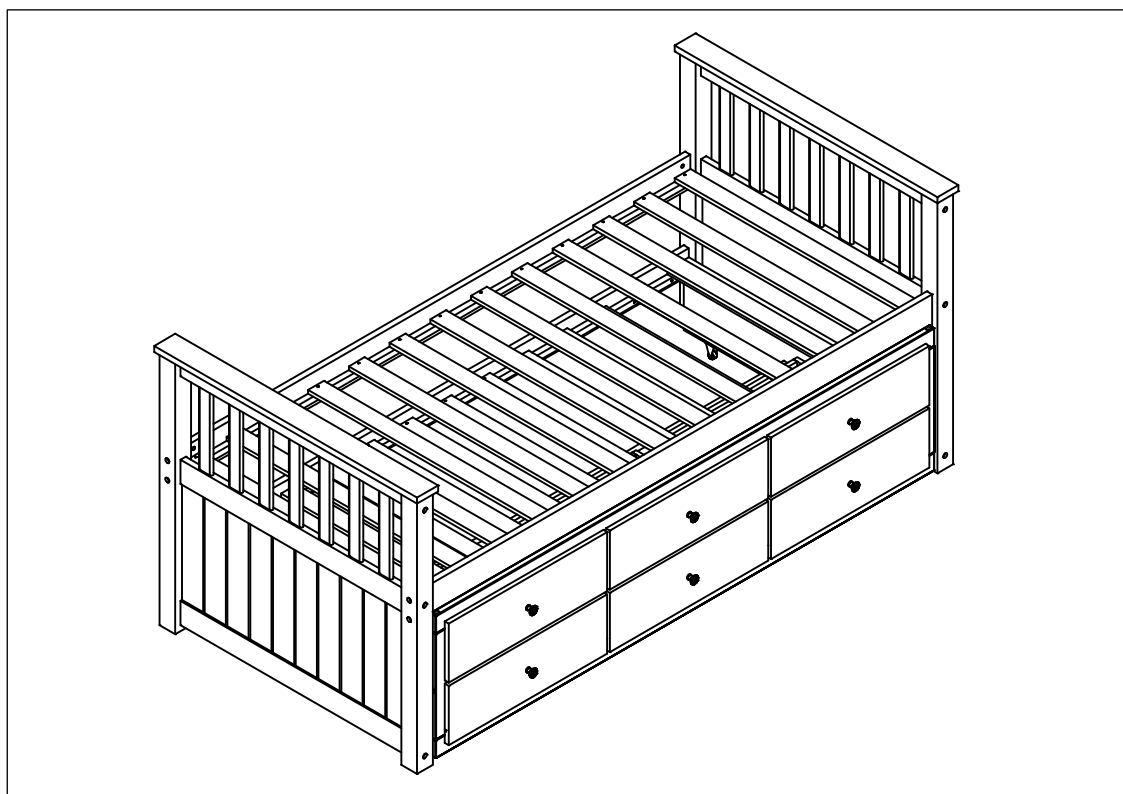
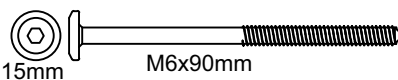

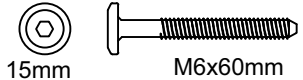
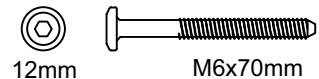
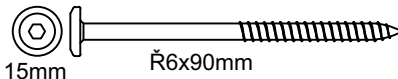
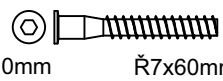
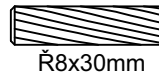
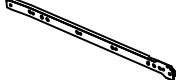
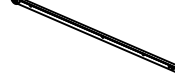



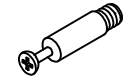

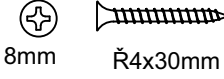
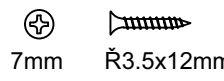
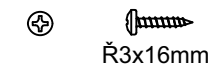
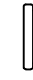
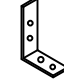



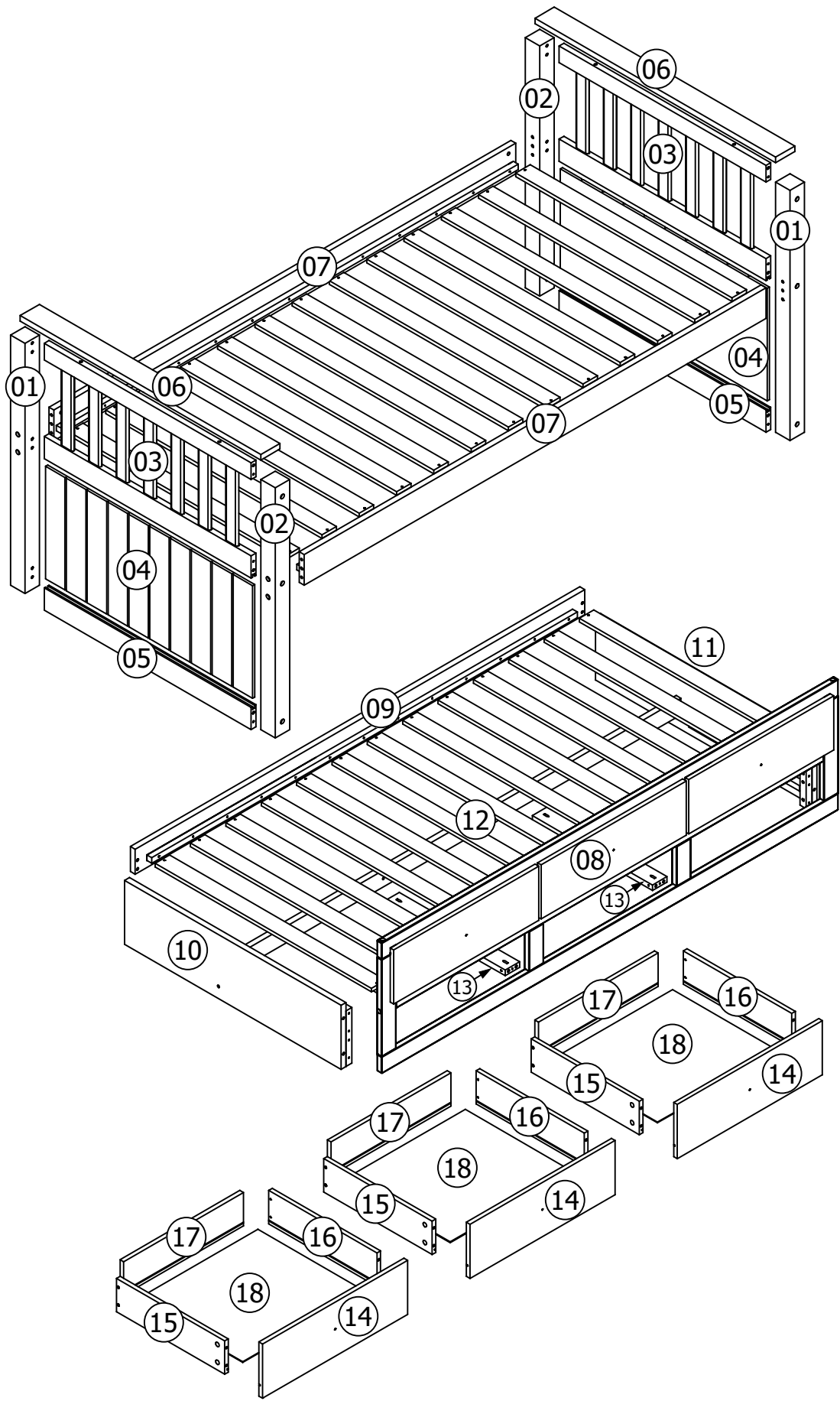
AUSTIN POSTEL' 90x200 cm B1168



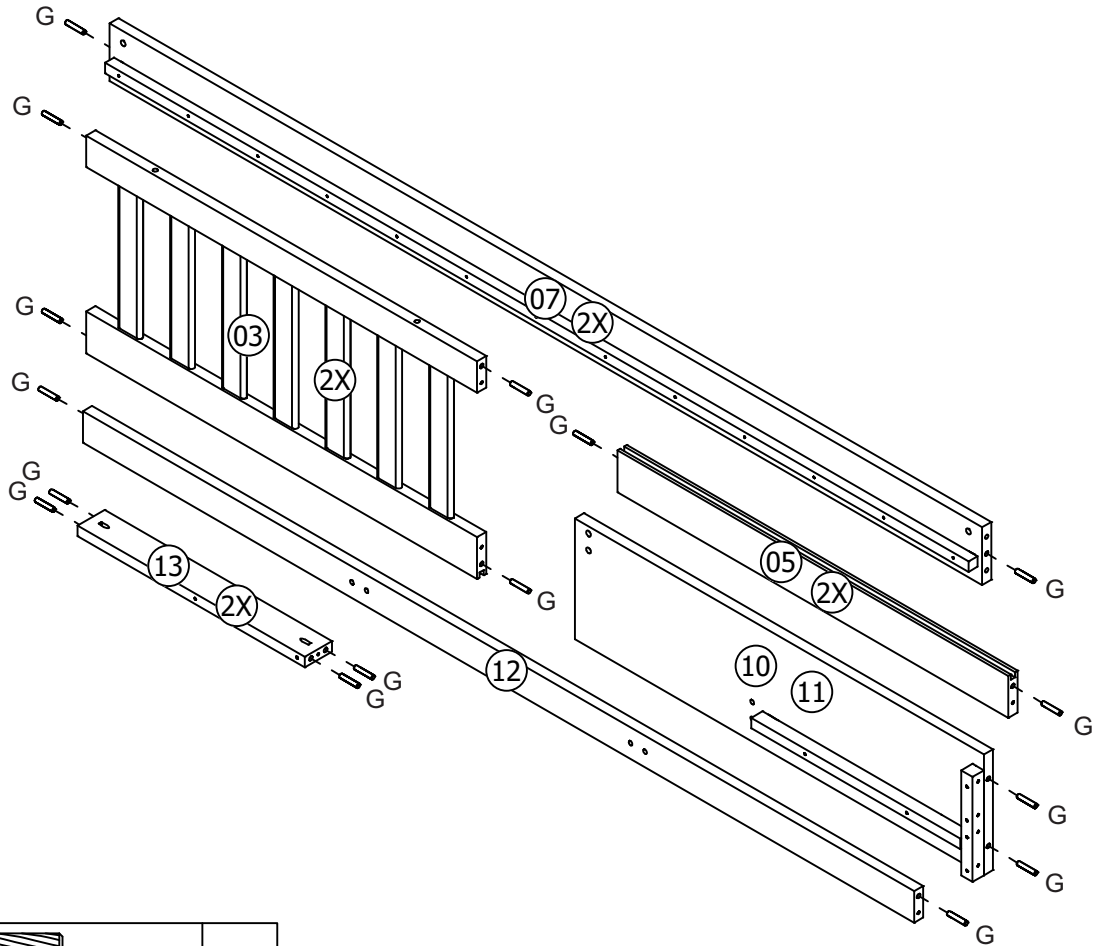
Súčiastky


A	 15mm M6x90mm	08
B		12
C	 15mm M6x60mm	04
D	 12mm M6x70mm	04
E	 15mm Ě6x90mm	12
F	 10mm Ě7x60mm	02
G	 Ě8x30mm	30
H	 Pravá alebo ľavá	06
I	 Pravá alebo ľavá	06
J		04

K		06
L	 M4x20mm	06
M		12
N		12
O	 8mm Ě4x30mm	76
P	 7mm Ě3.5x12mm	36
Q	 7mm Ě3x16mm	16
R	 Ě15mm	26
S		02
T		02

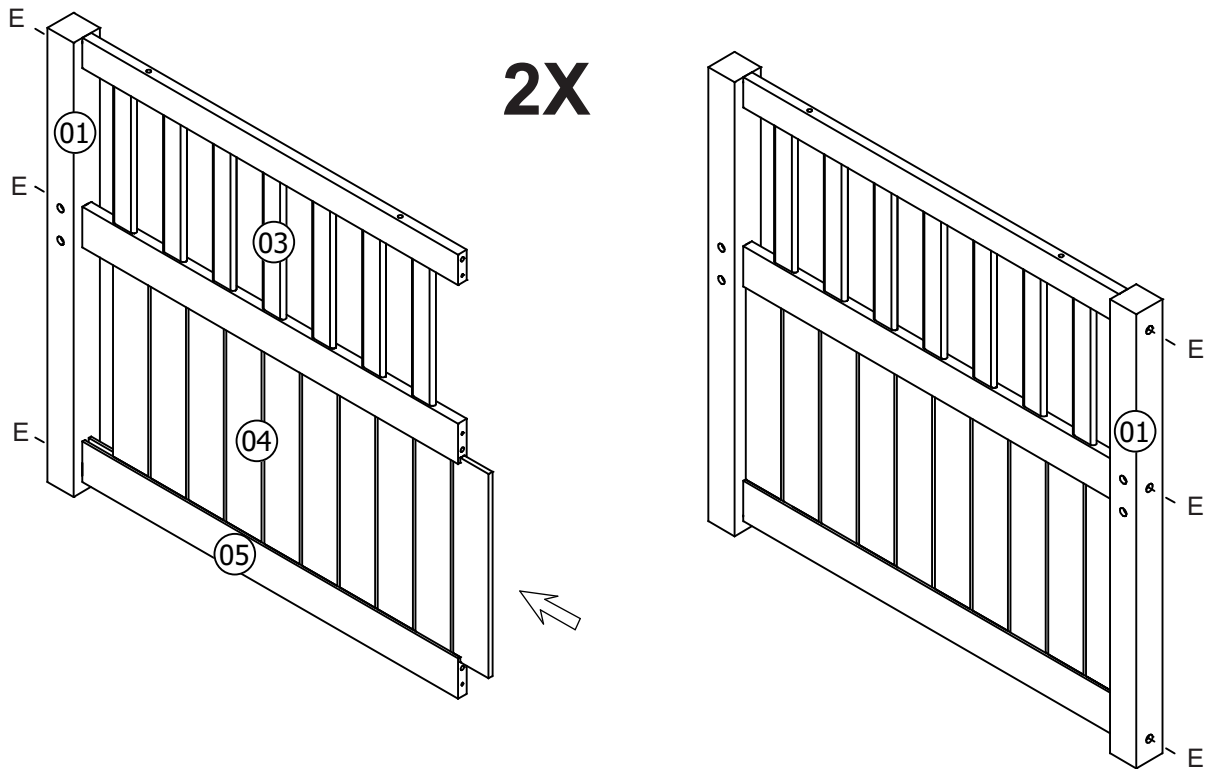



01



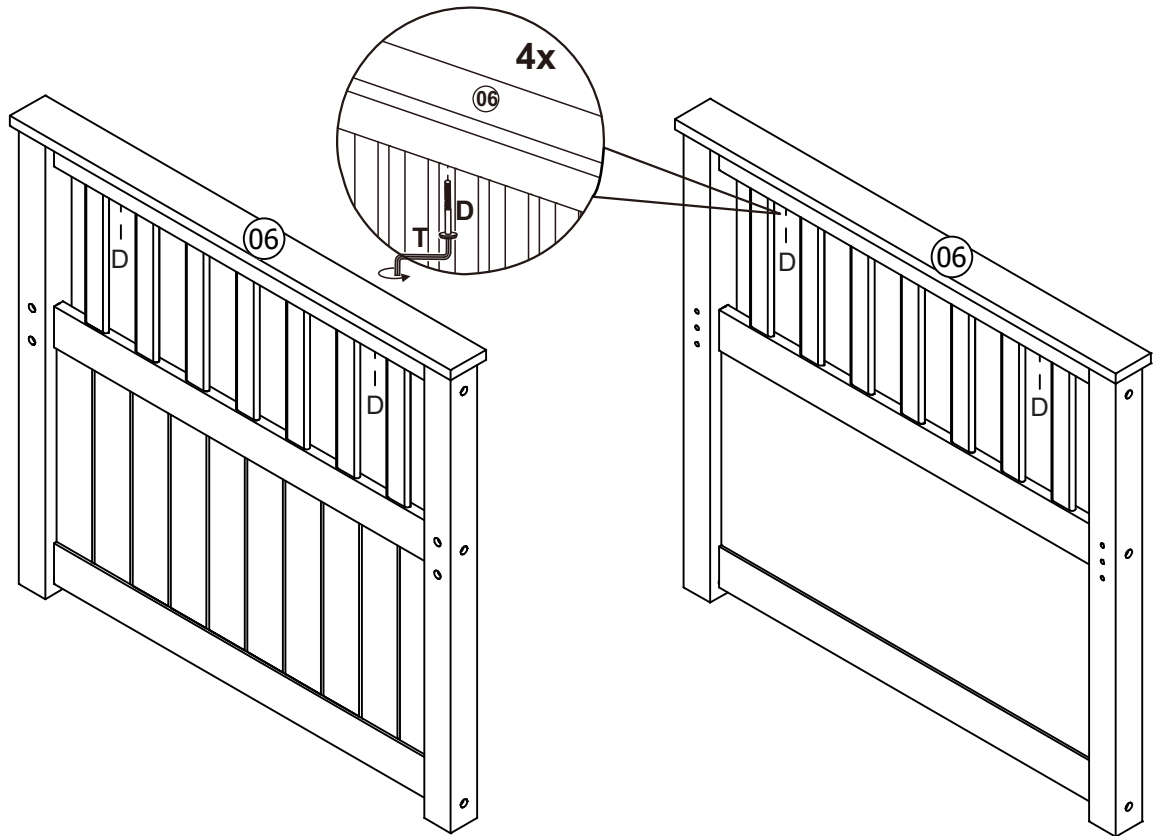
G	 R8x30mm	30
---	--	----



02



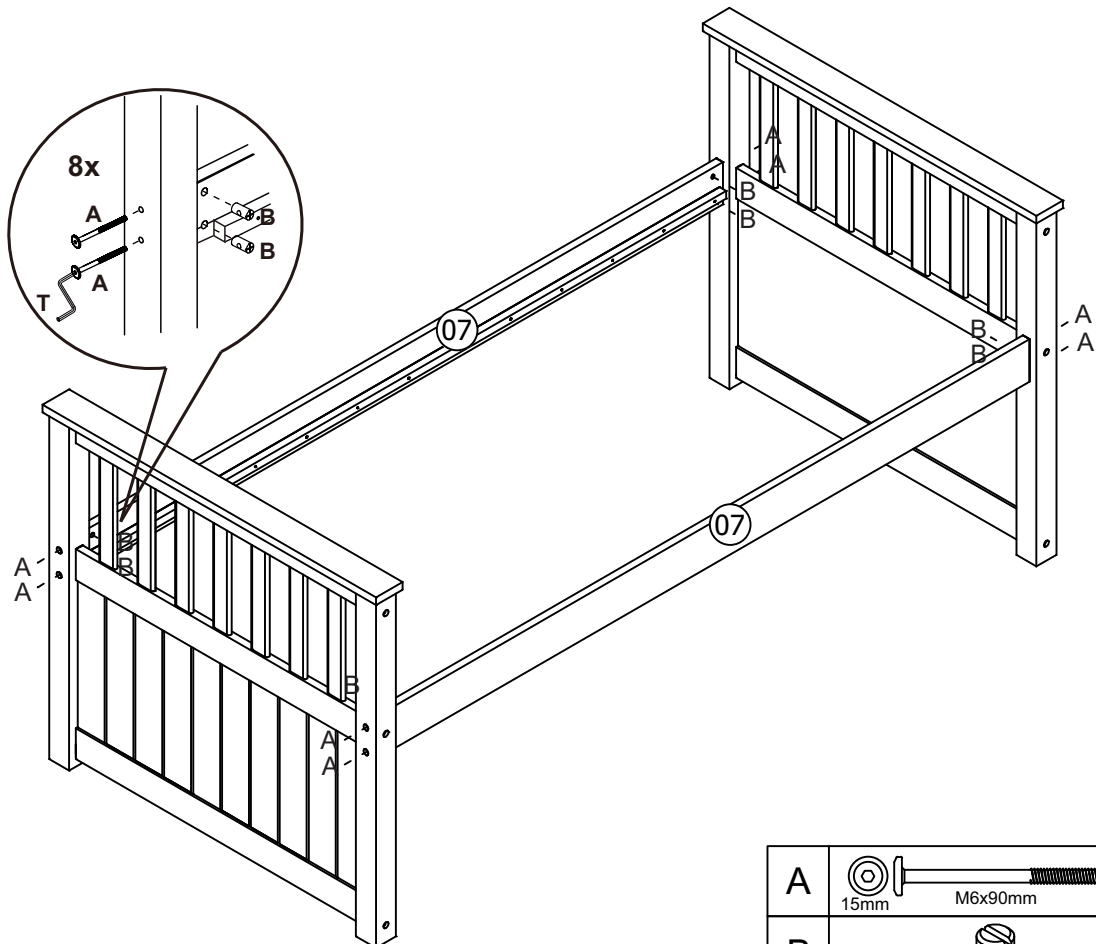
E	 15mm R6x90mm	12
---	---	----


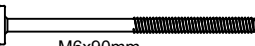

03



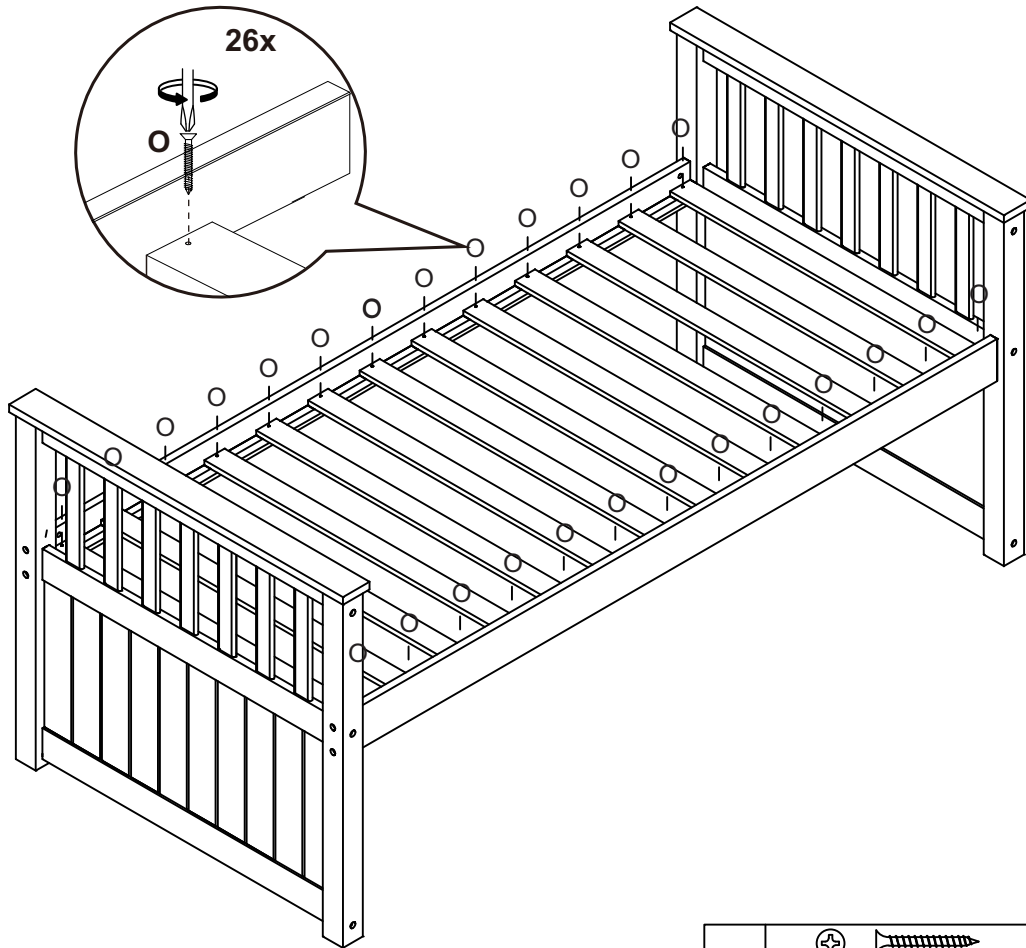
D			04
	12mm	M6x70mm	

04



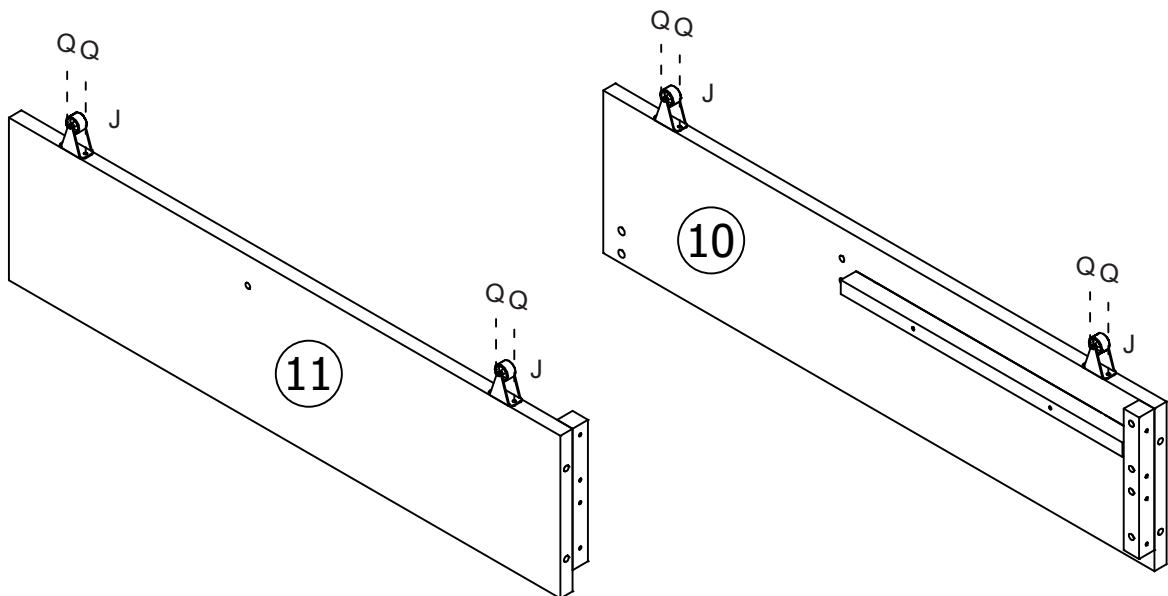
A			08
	15mm	M6x90mm	
B			08


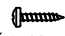
05



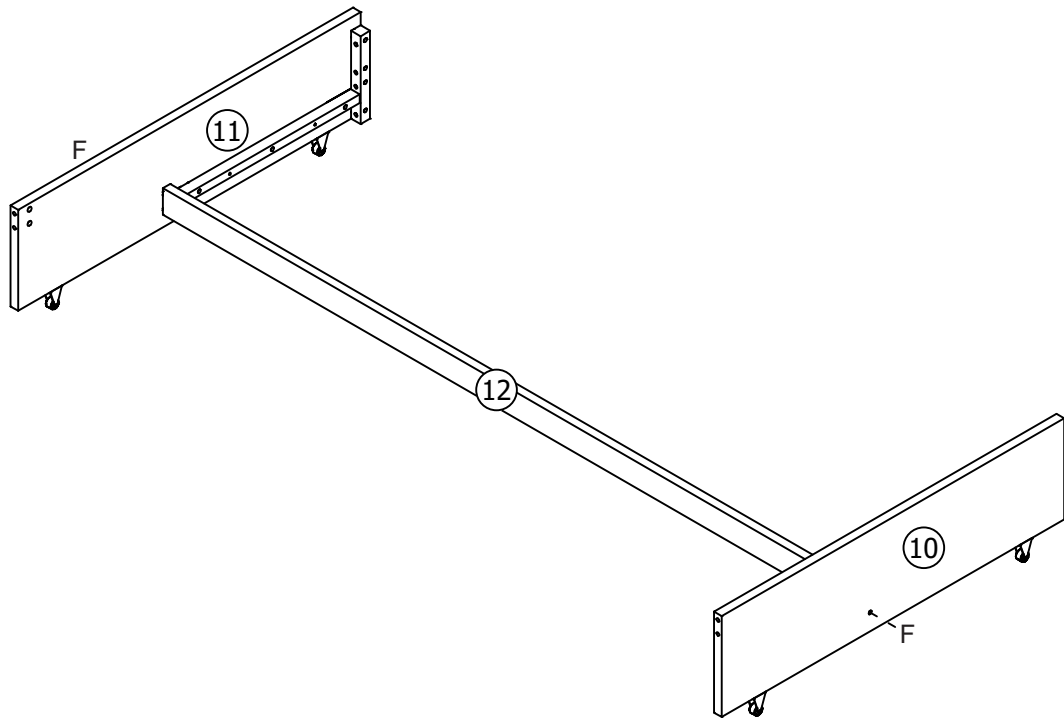
○	⊕	➤	26
	8mm	R4x30mm	


06



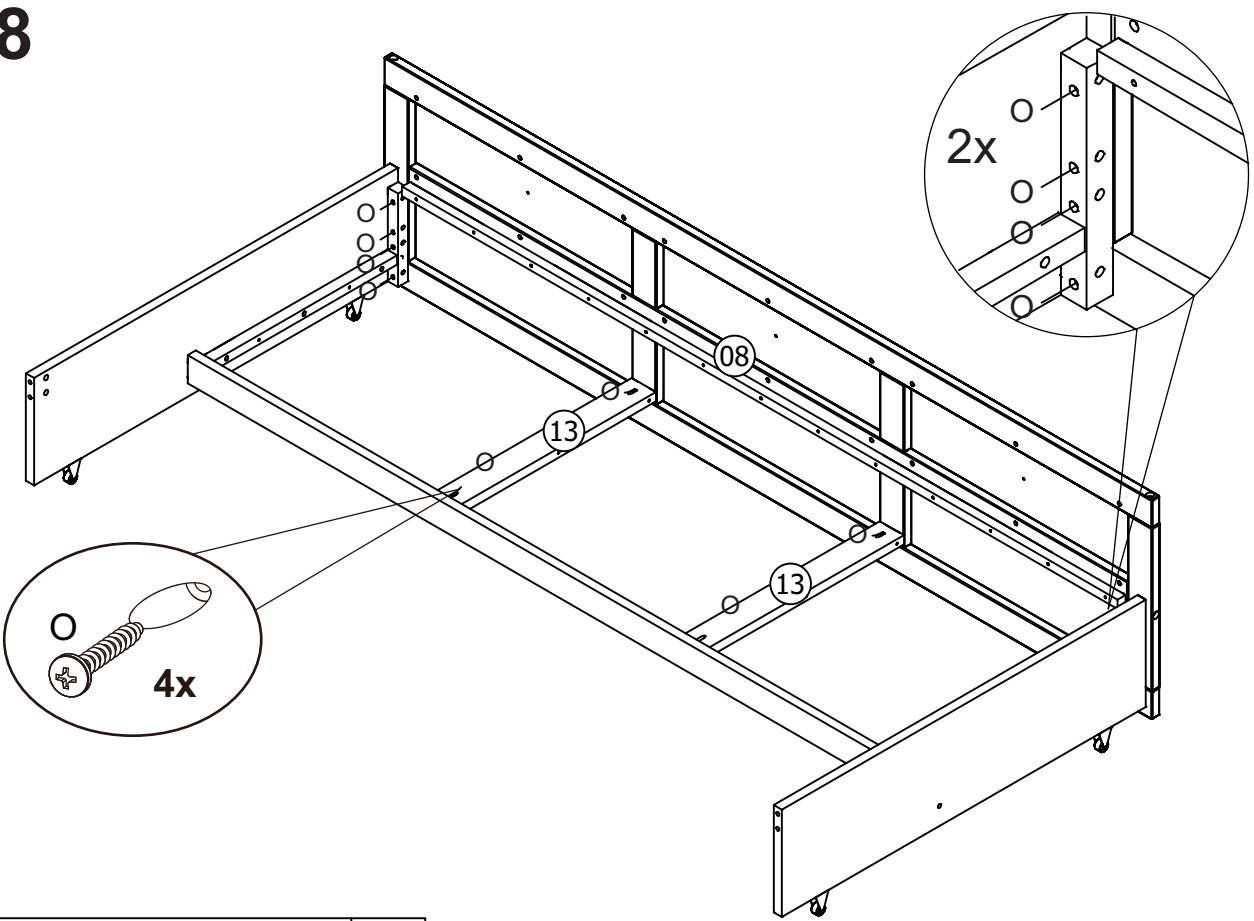
J		04
Q	⊕ 	08
	7mm R4x16mm	


07



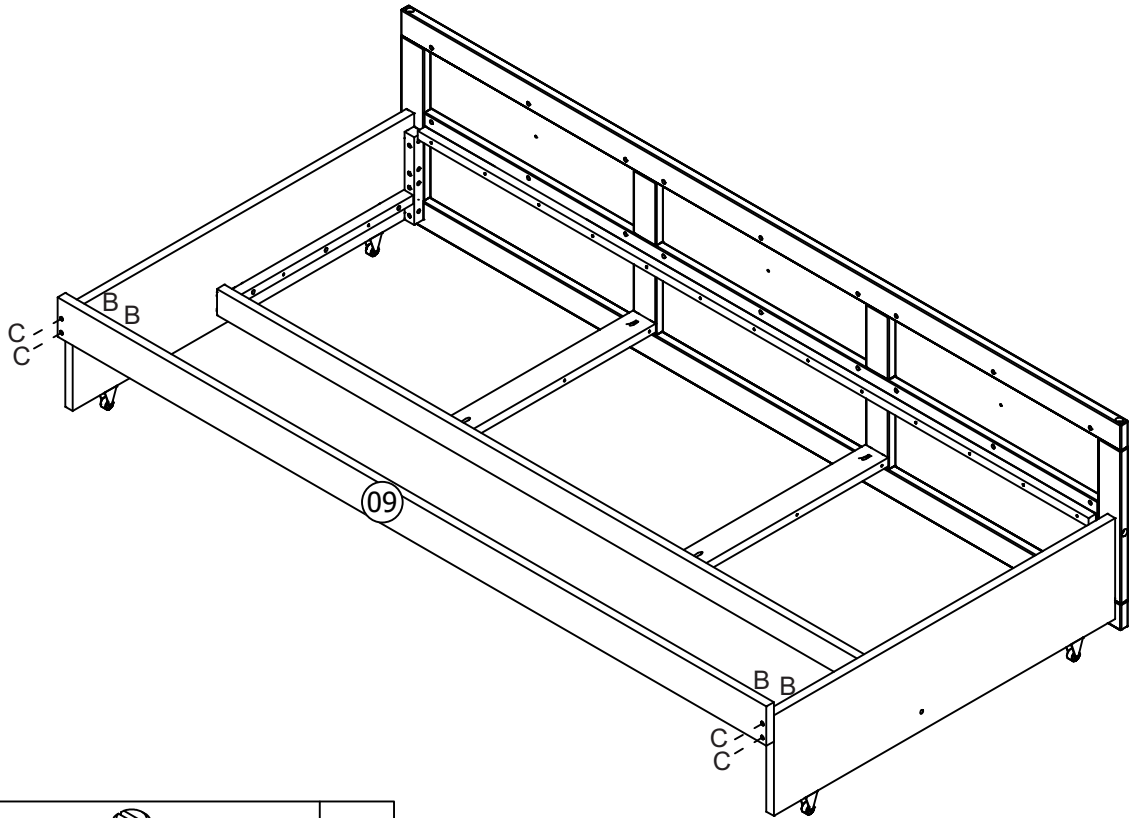
F	 10mm \checkmark 7x60mm	02
---	--	----


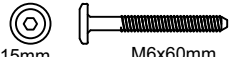
08



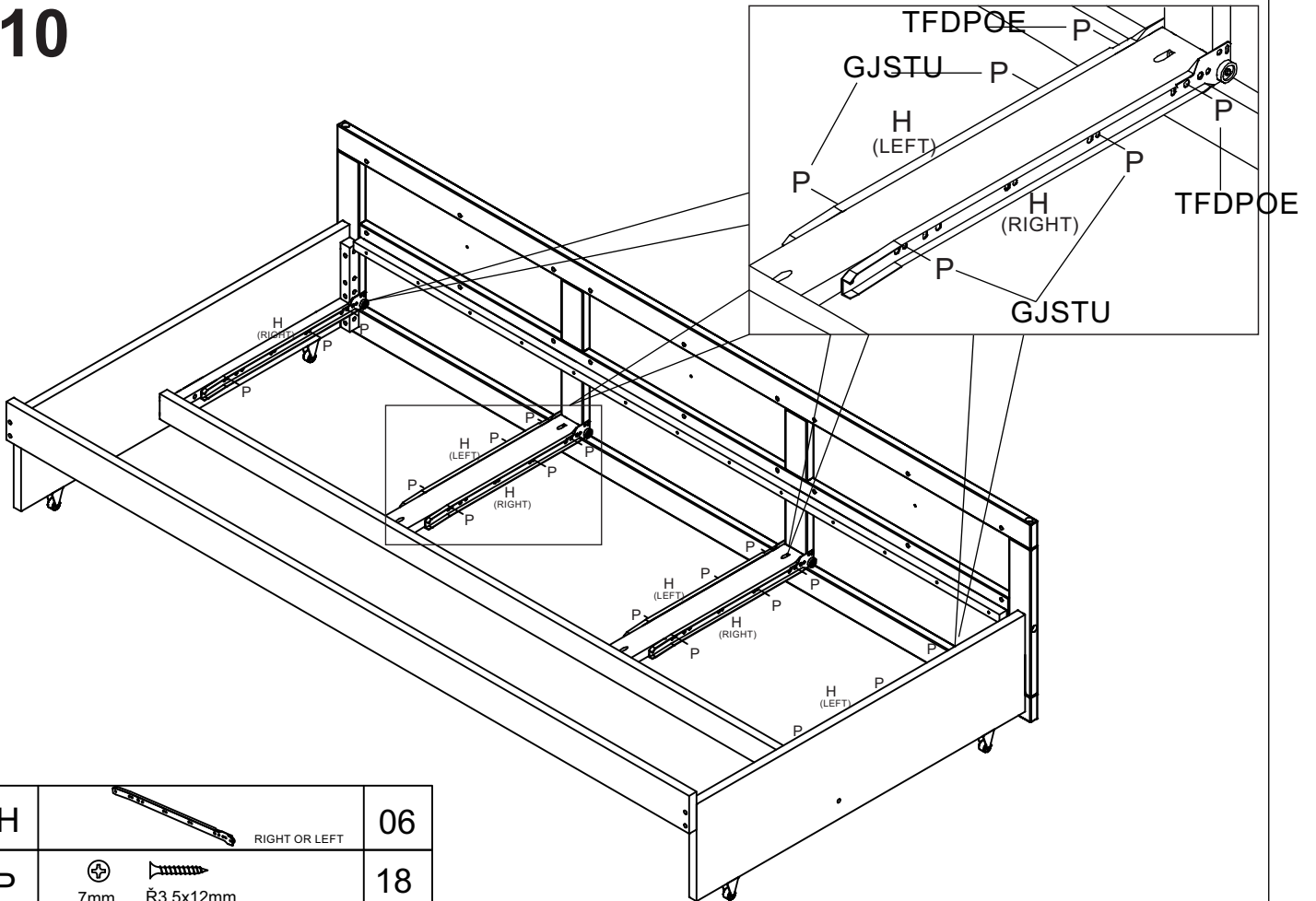
O	 8mm \checkmark 4x30mm	12
---	---	----


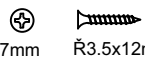
09



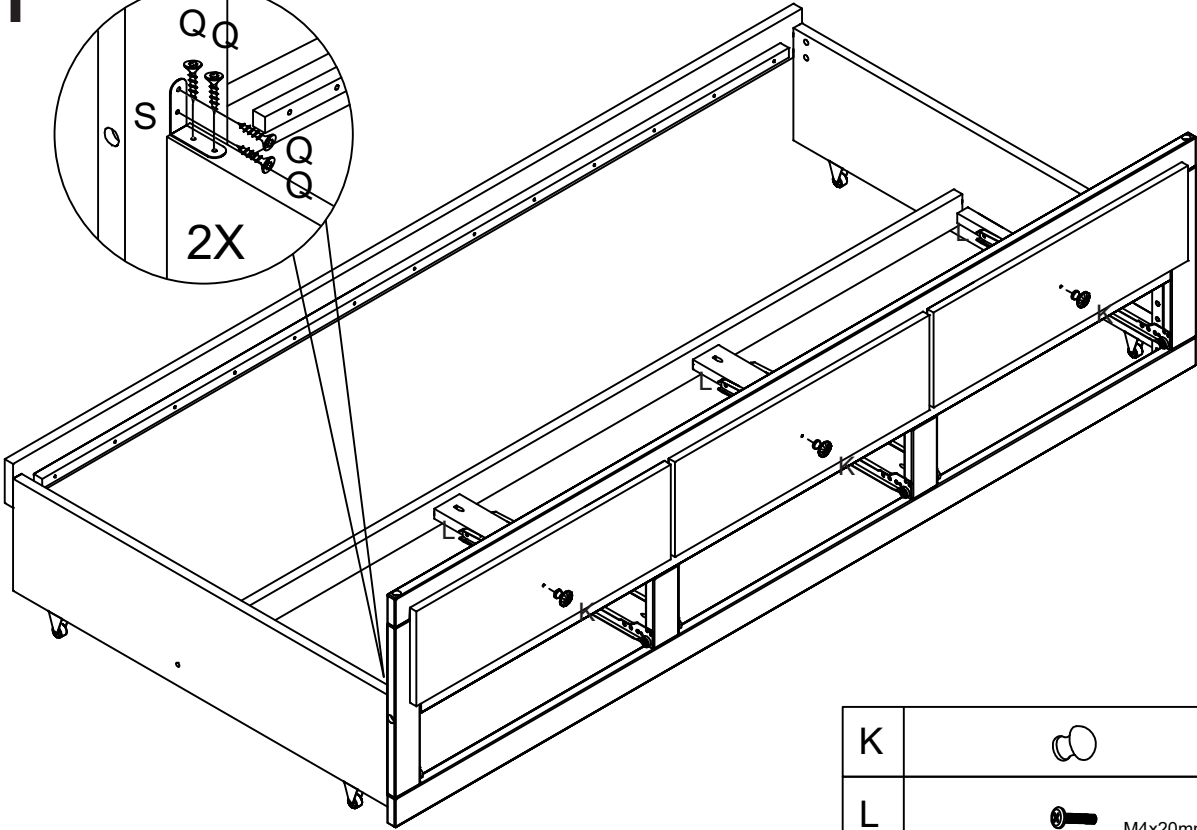
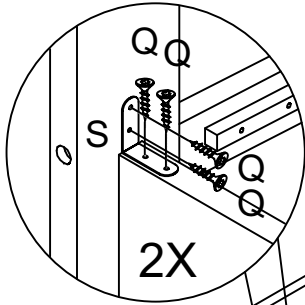
B		04
C	 15mm M6x60mm	04



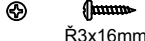

10



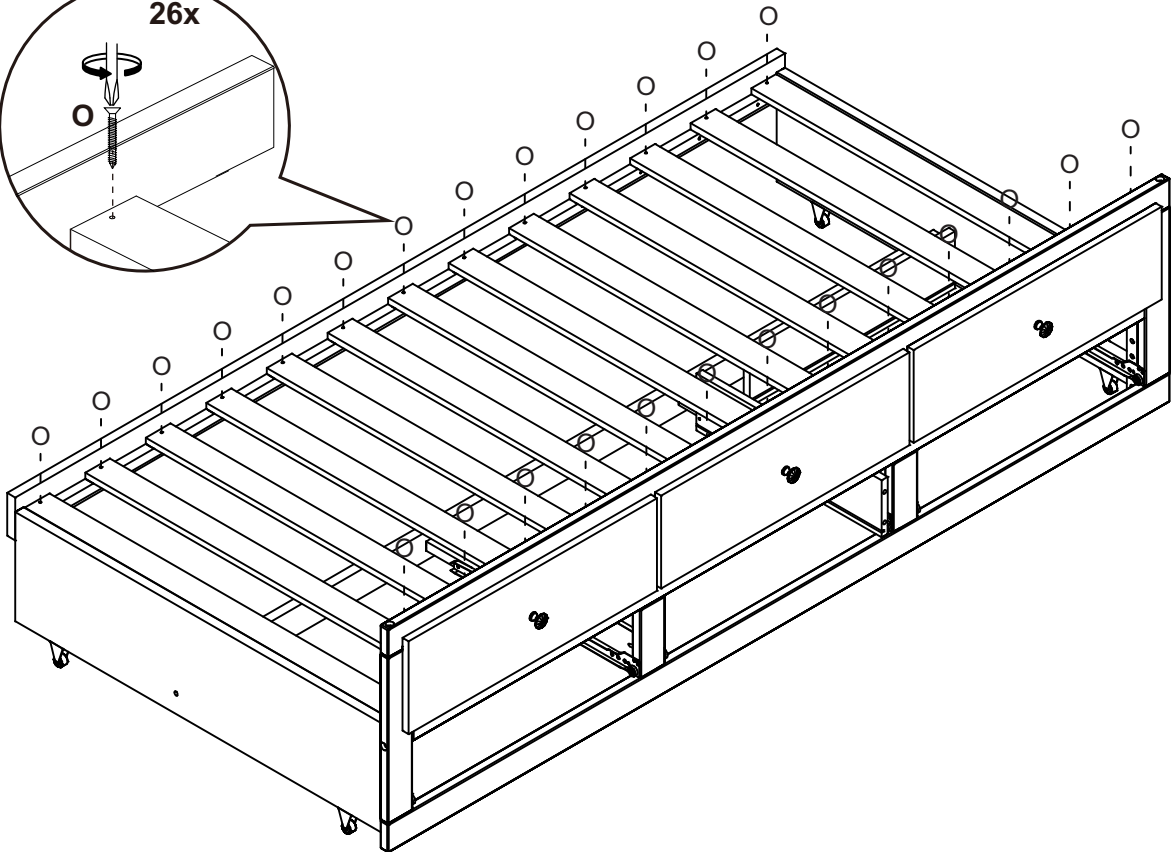
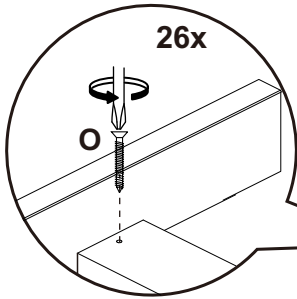
H	 RIGHT OR LEFT	06
P	 7mm R3.5x12mm	18


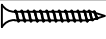
11



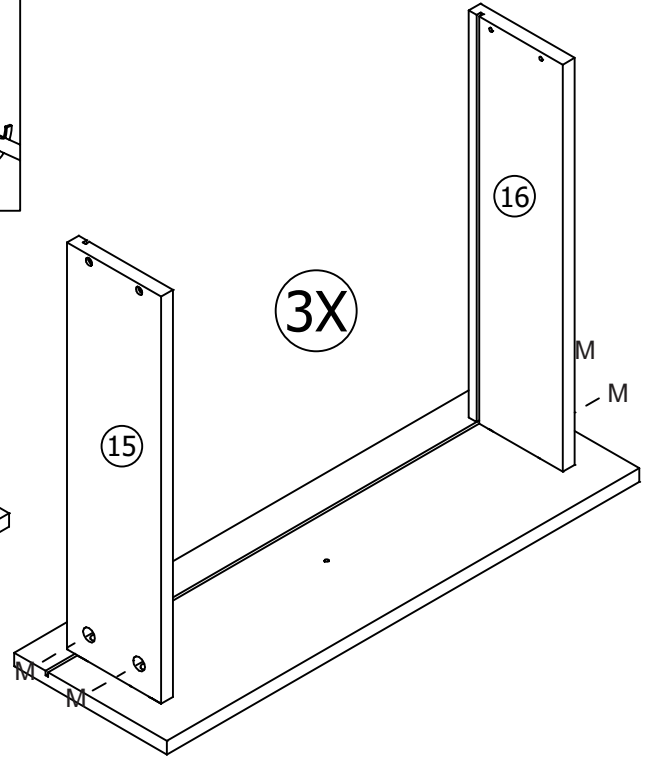
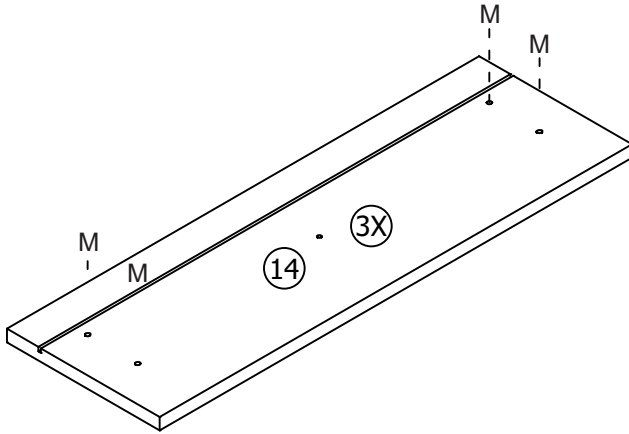
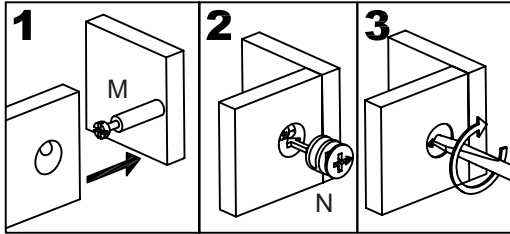
K		03
L	 M4x20mm	03
Q	 R3x16mm	08
S		02



12



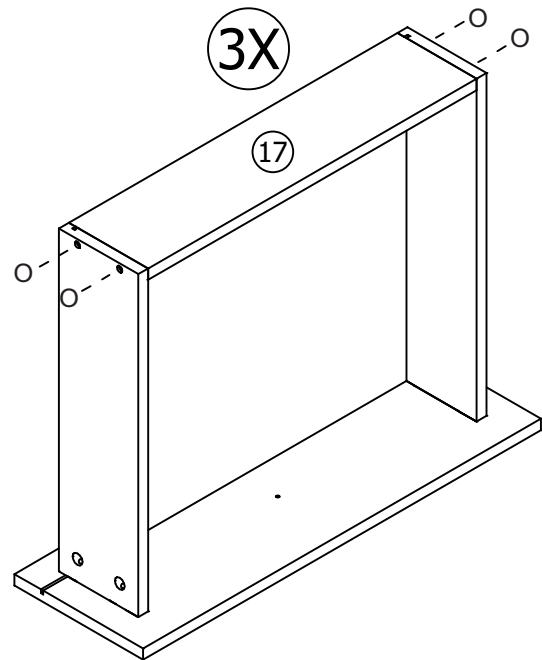
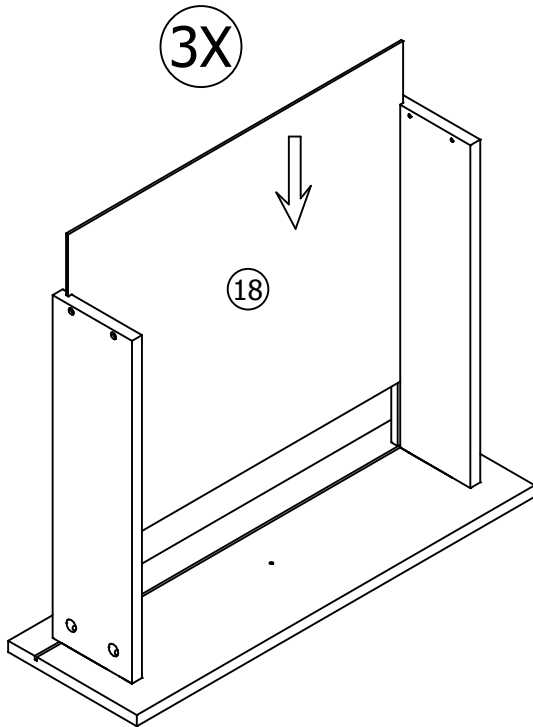
O	 8mm  R4x30mm	26
---	--	----

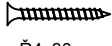
13



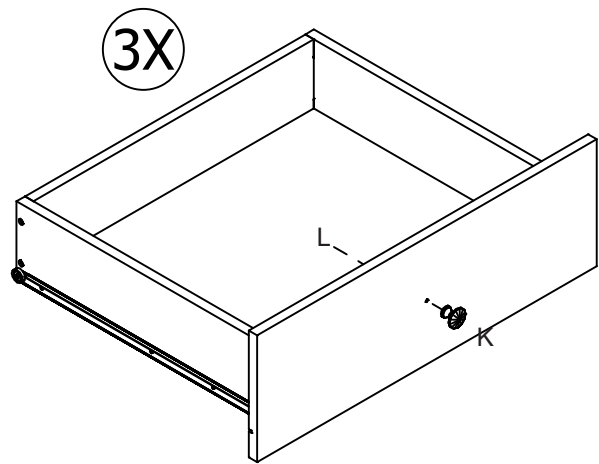
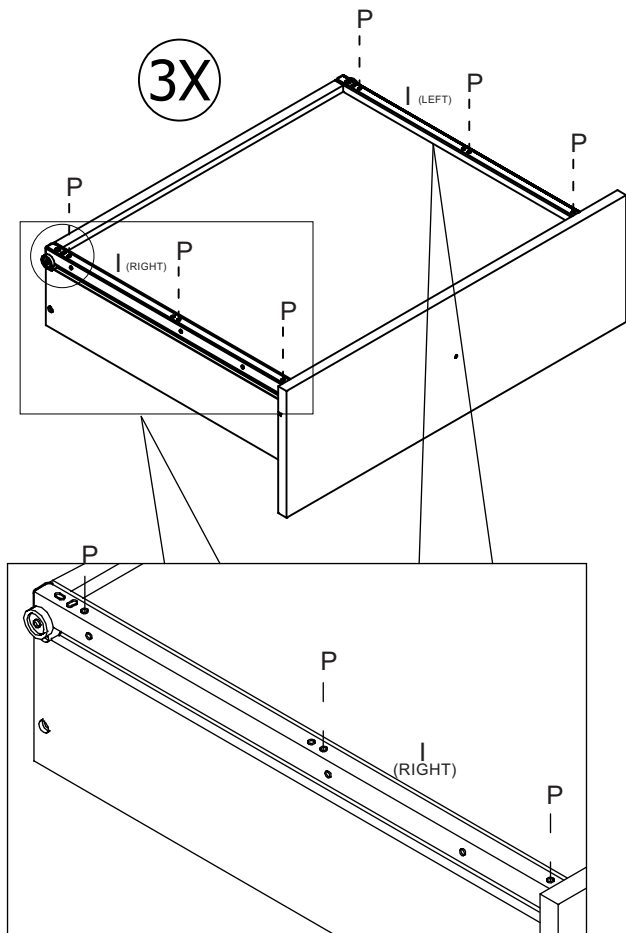
M		12
N		12





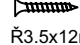
14



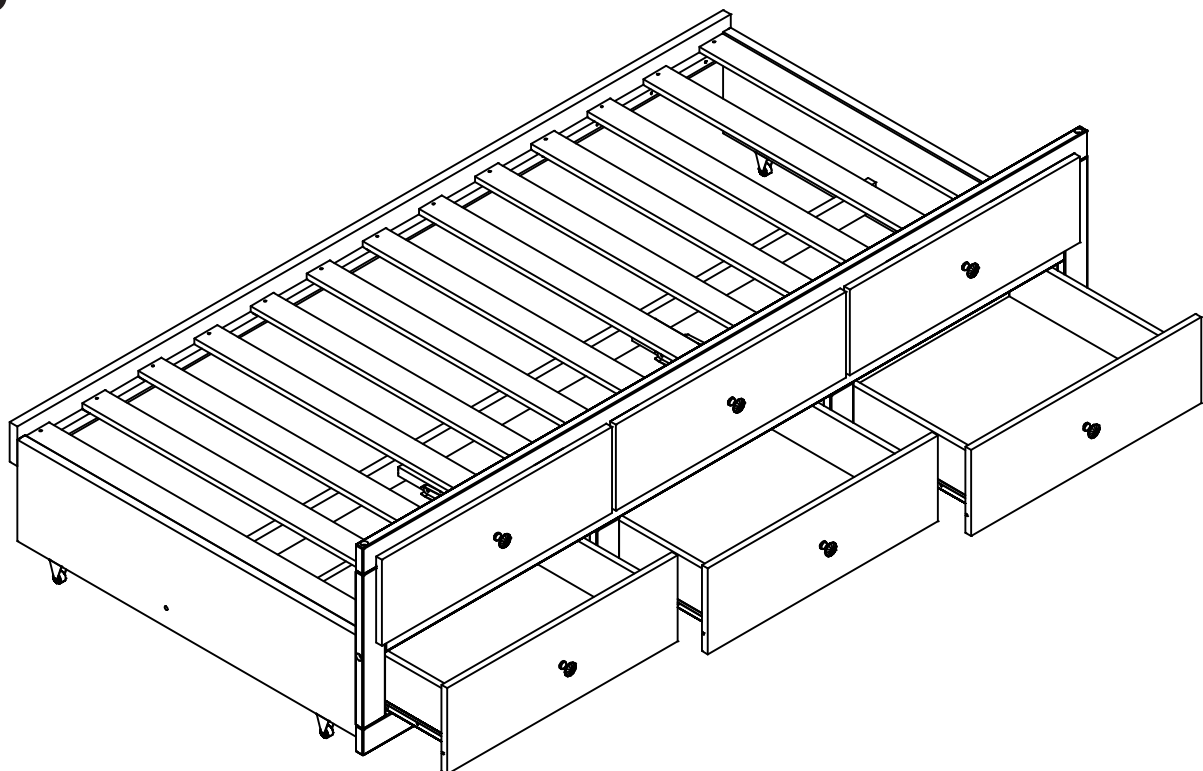
O		12
	8mm R4x30mm	

15

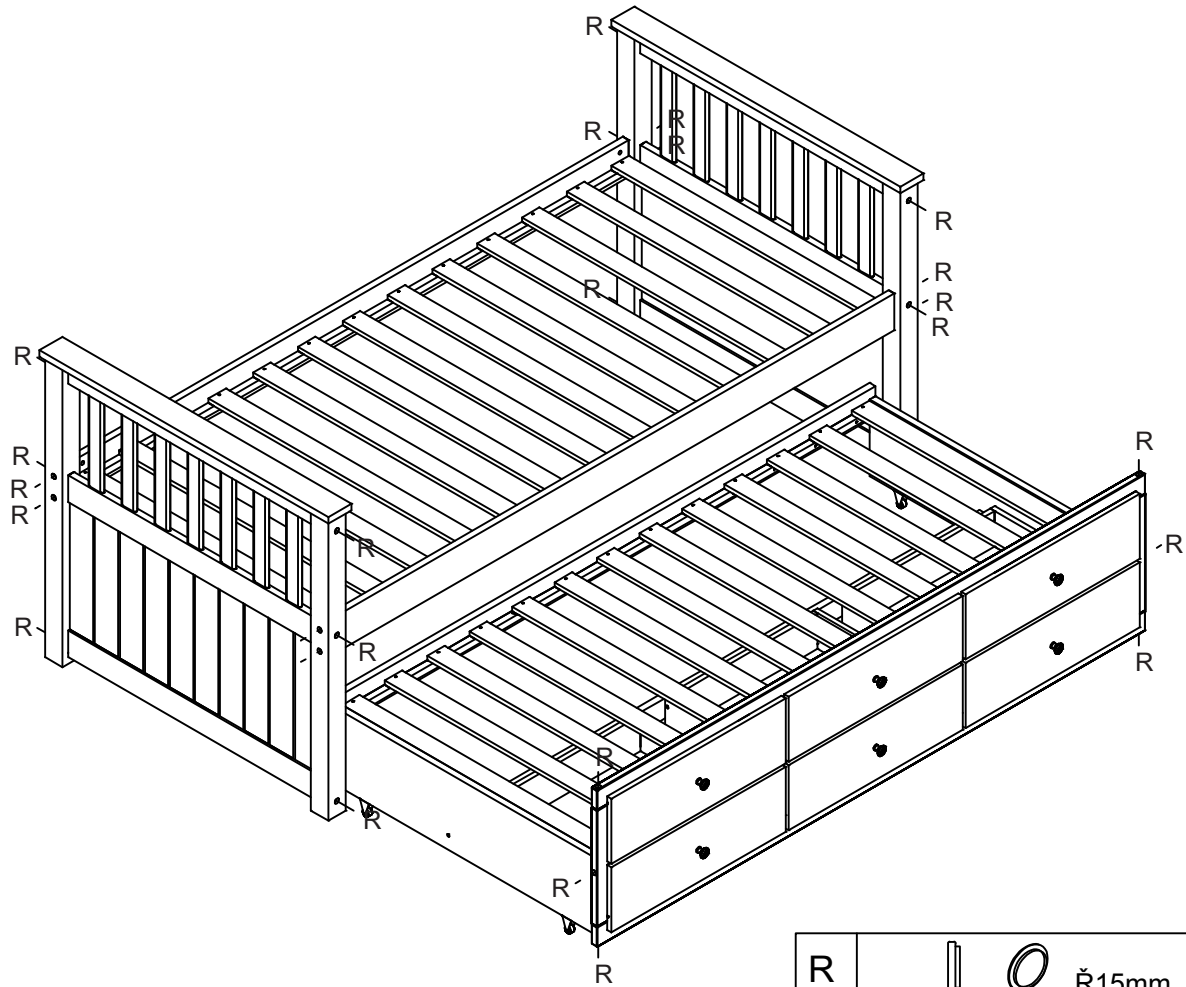


I	 RIGHT OR LEFT	06
K		03
L	 M4x20mm	03
P	  R3.5x12mm	18

16



17



18

