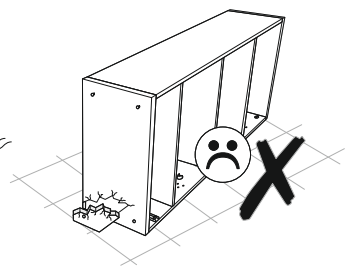
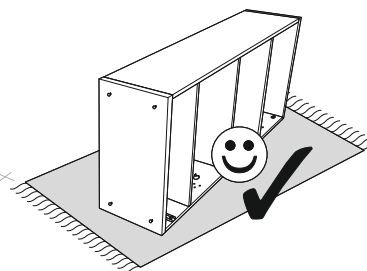
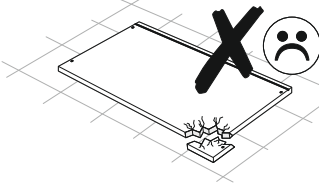
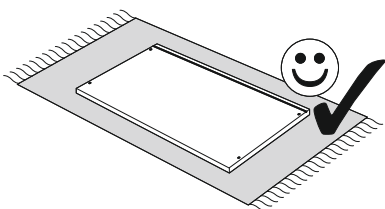
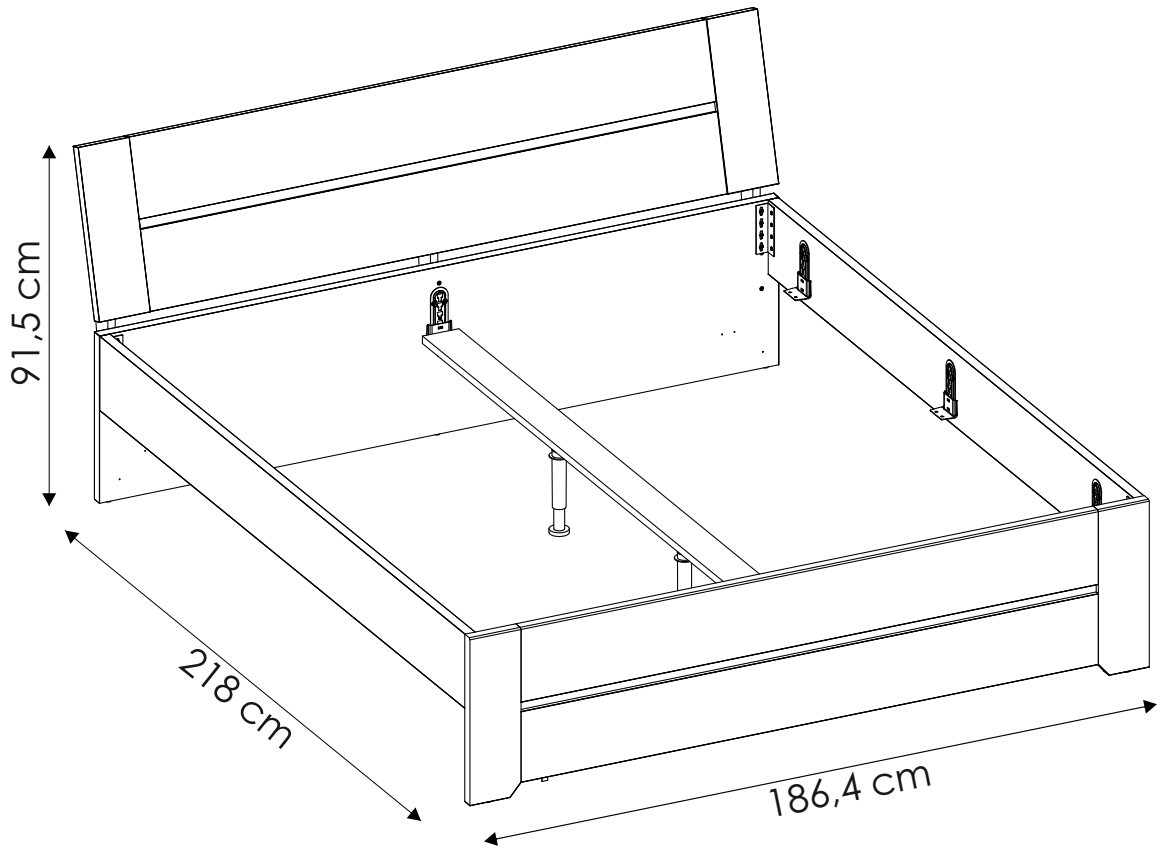
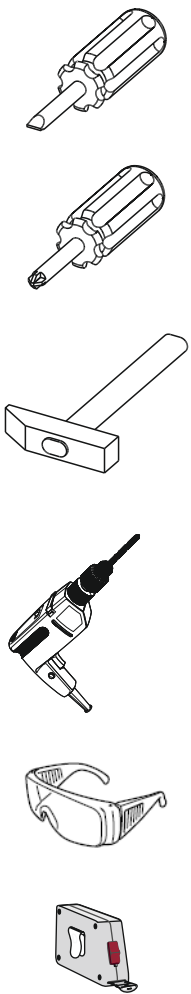
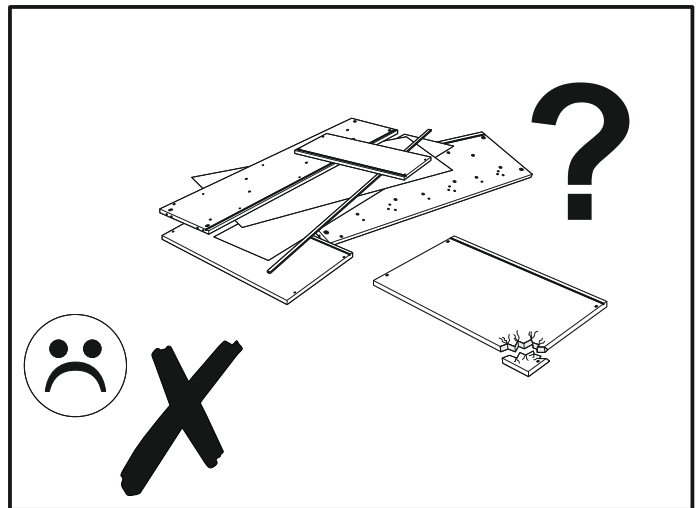
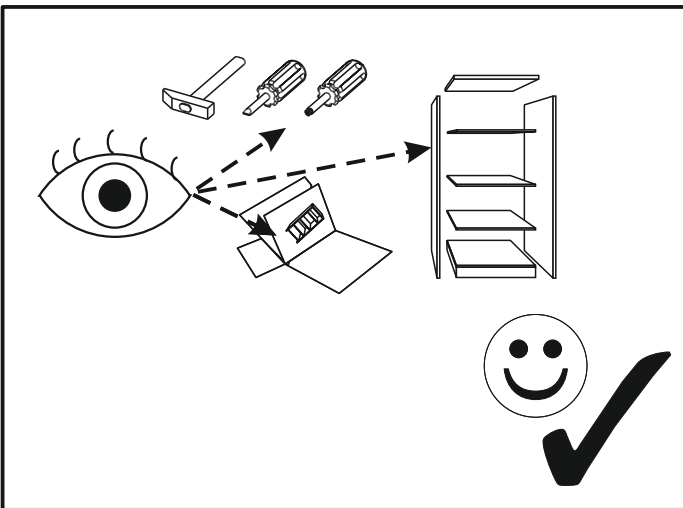
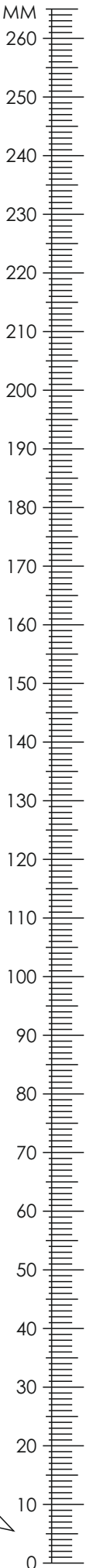






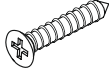
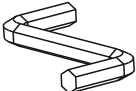

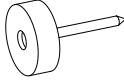
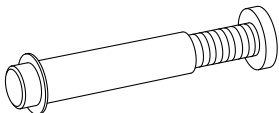
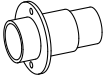

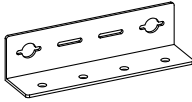
ANGEL 93

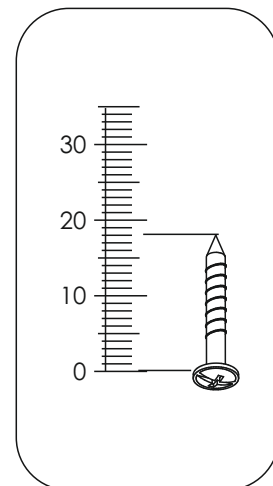




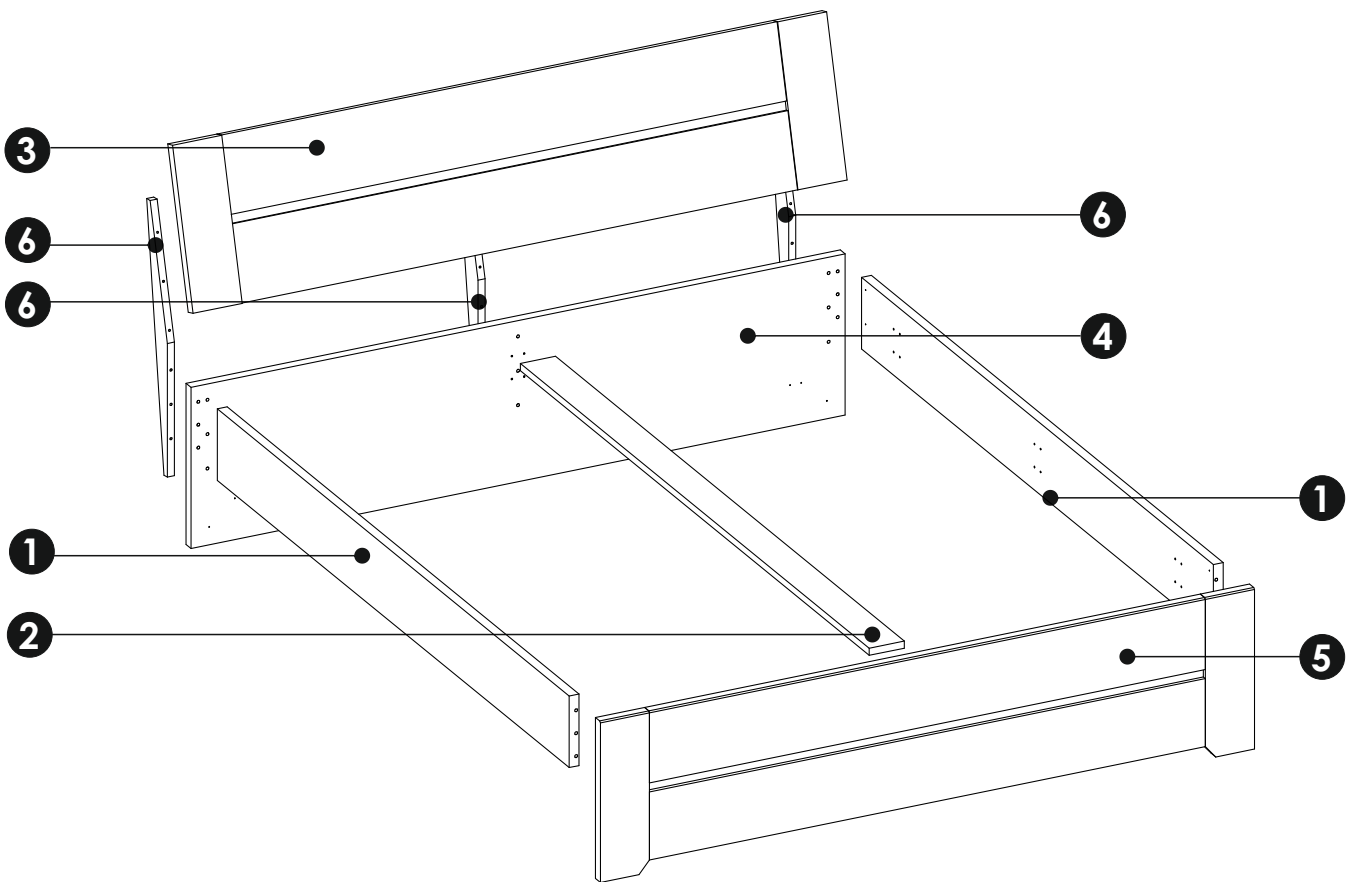
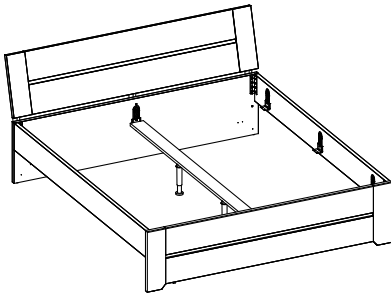
ANGEL 93



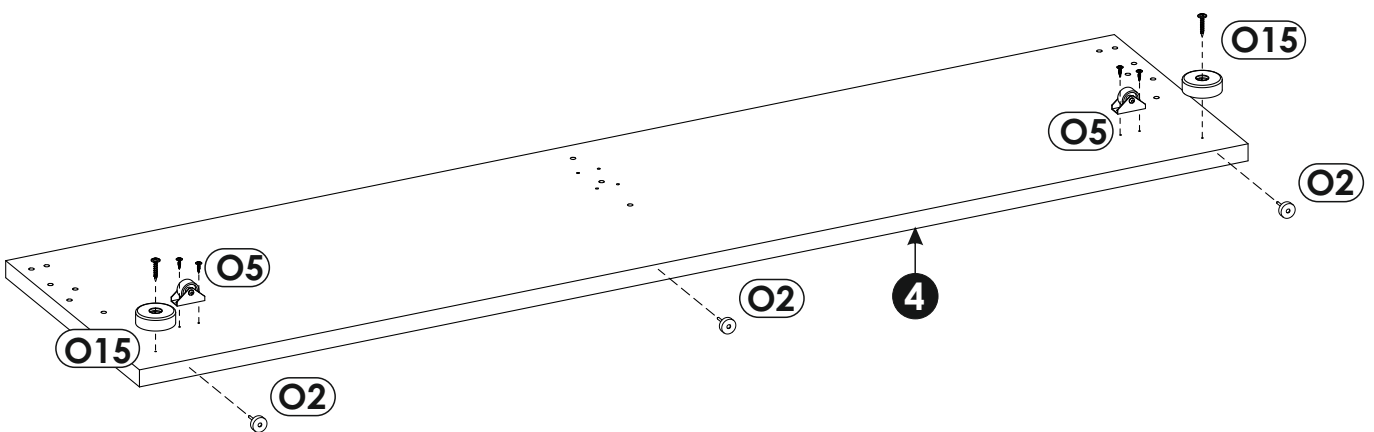
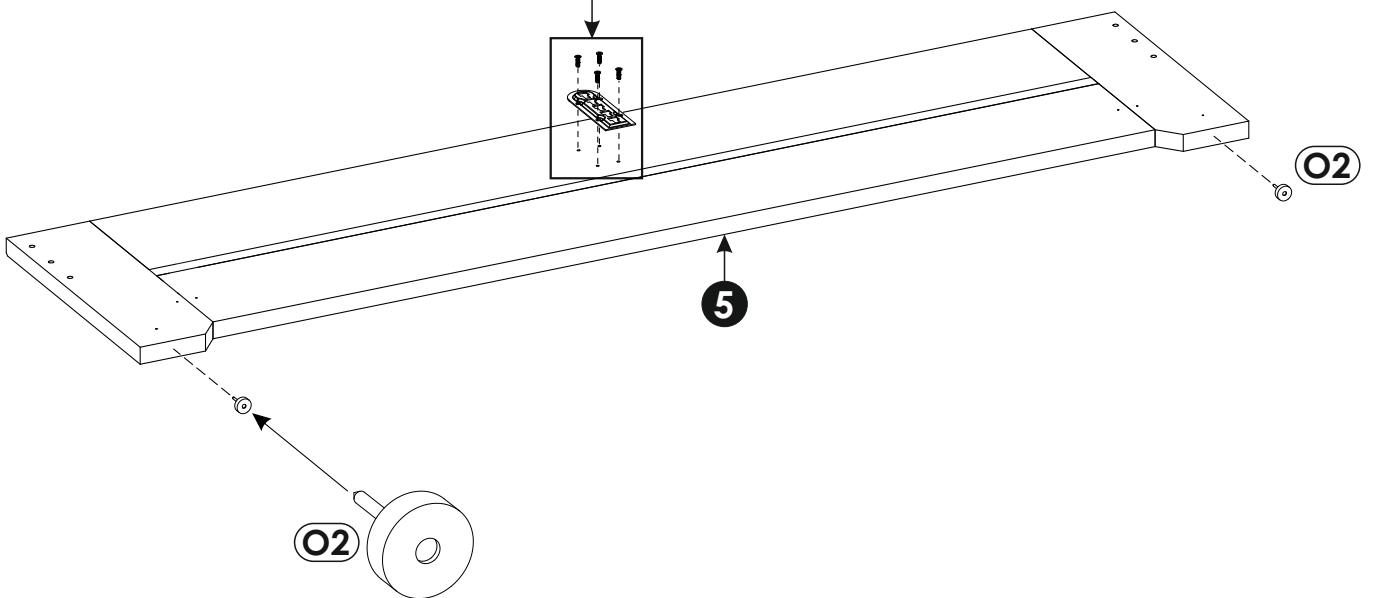
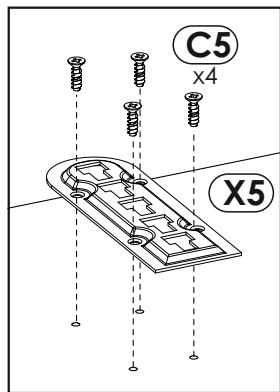
| | | |
|---|---|--|
| A1 $\varnothing 8 \times 35 \text{ mm}$ x12  | C5 $5 \times 16 \text{ mm}$ x32  | G1 $\varnothing 7 \times 50 \text{ mm}$ x9  |
| I8 $4 \times 20 \text{ mm}$ x36  | J6 $4 \times 35 \text{ mm}$ x9  | M x1  |
| N2 $3,5 \times 16 \text{ mm}$ x16  | O2 x5  | O20 x2  |
| O21 x2  | X5 x8  | X6 x4  |



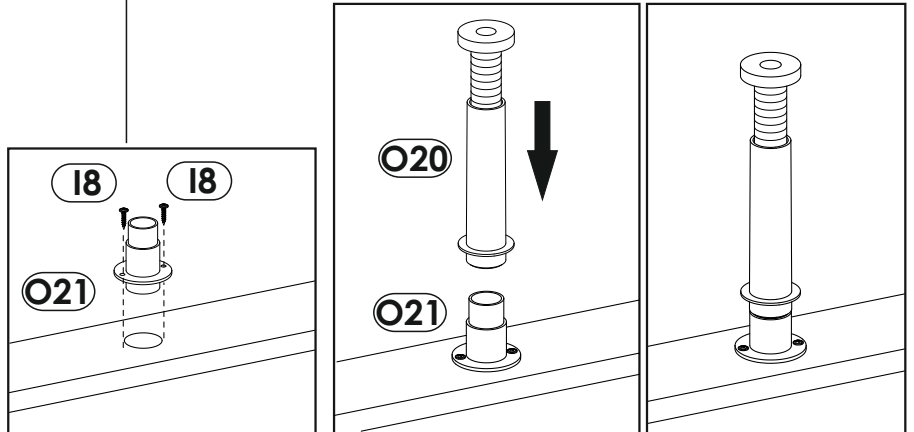
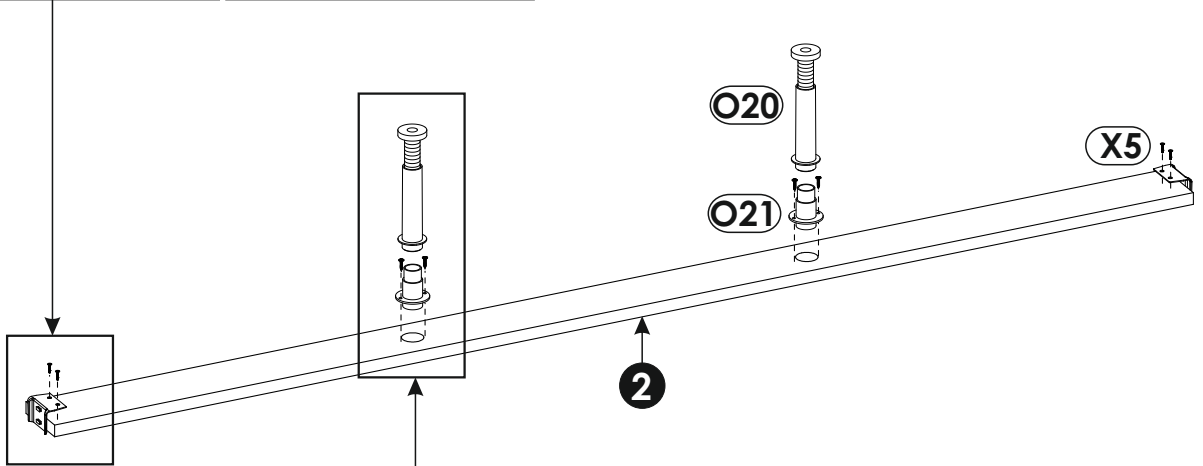
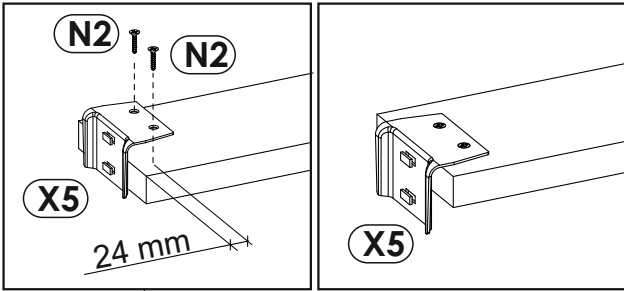
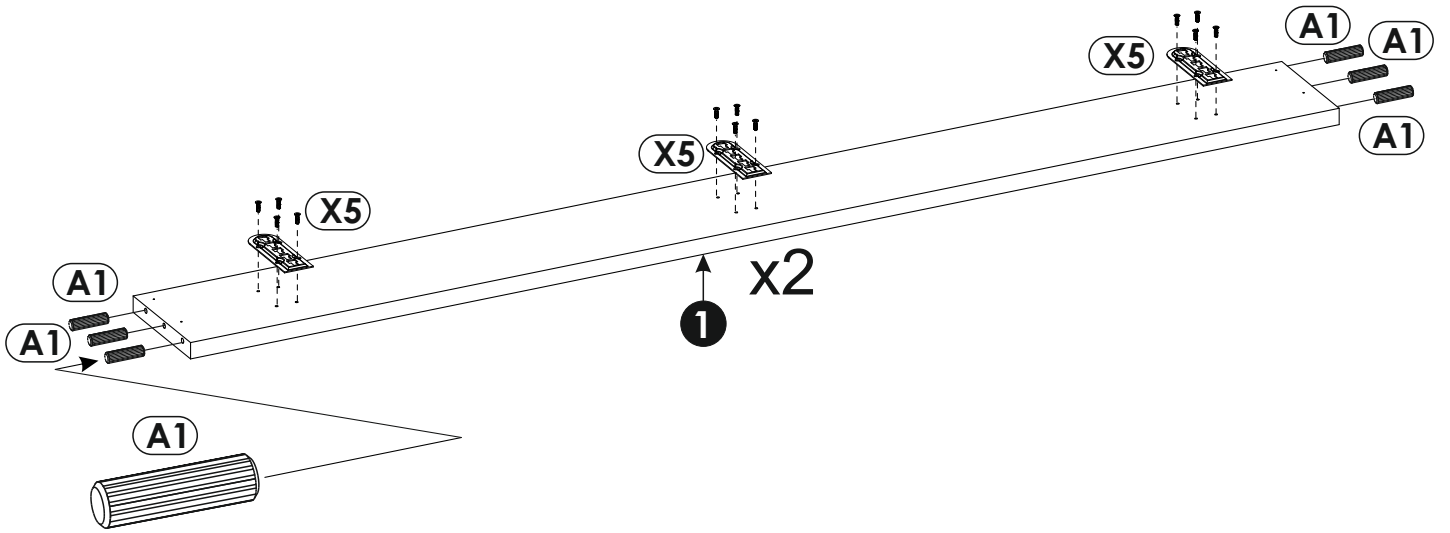
ANGEL 93



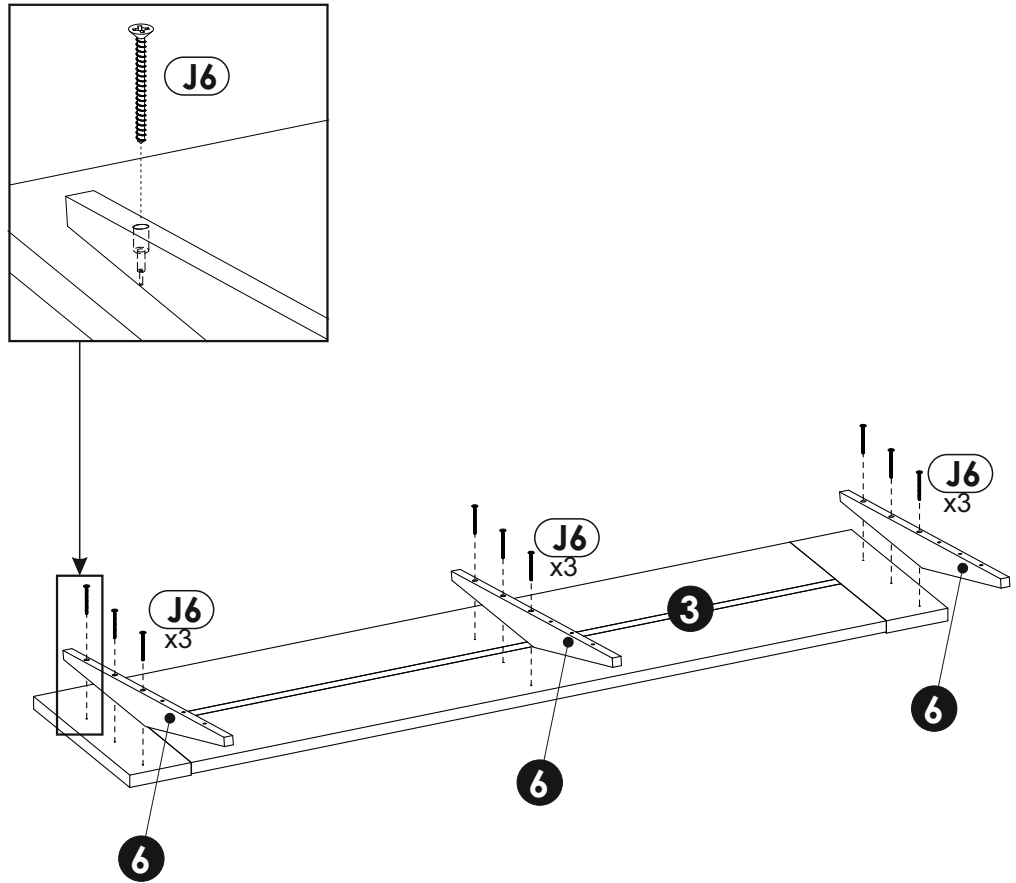
| | | | | | |
|----------|------|-----|----|----|-----|
| 1 | 2005 | 200 | 28 | x2 | 1/3 |
| 2 | 1988 | 100 | 20 | x1 | 1/3 |
| 3 | 1864 | 439 | 28 | x1 | 2/3 |
| 4 | 1864 | 450 | 28 | x1 | 3/3 |
| 5 | 1864 | 450 | 28 | x1 | 2/3 |
| 6 | 740 | 70 | 20 | x3 | 1/3 |



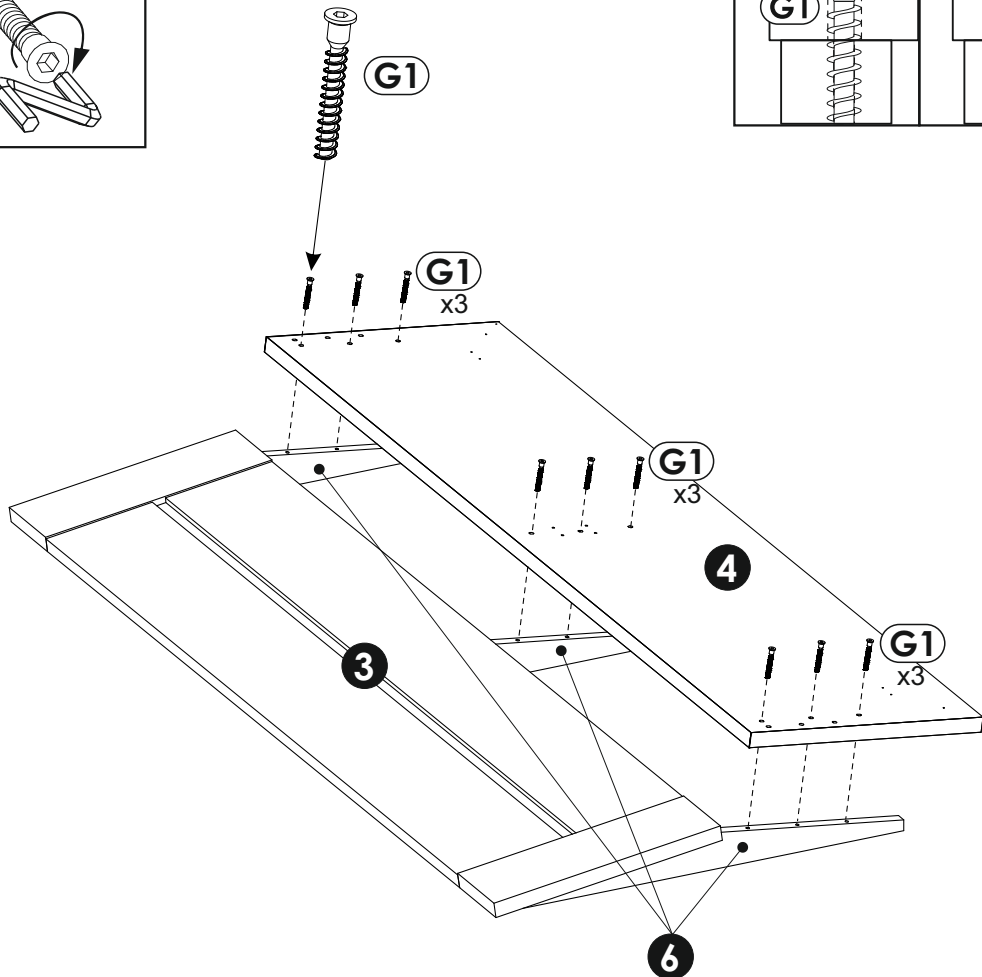
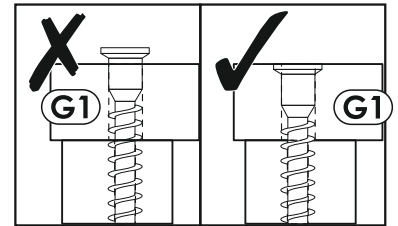
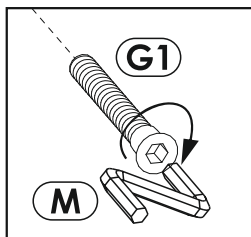
2 ▶



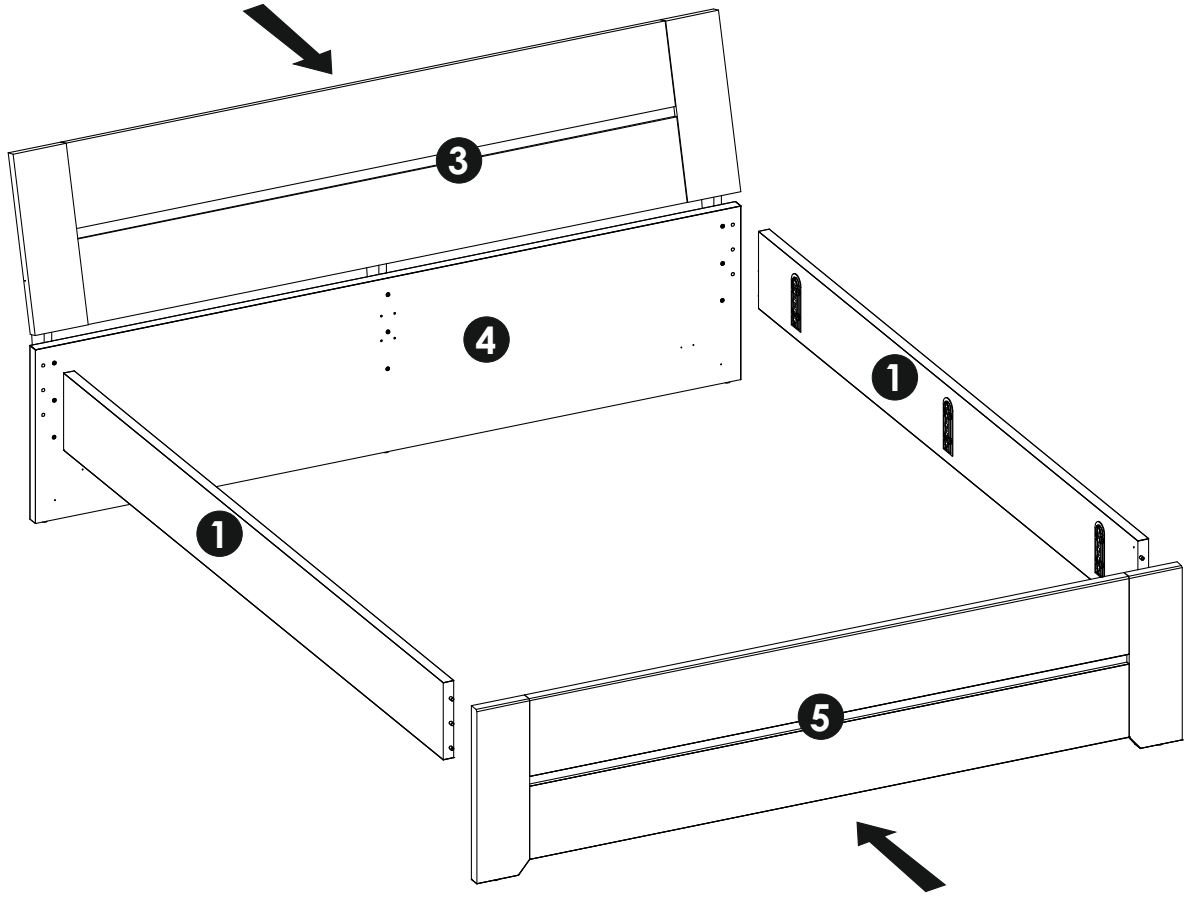
3 ▶



4 ▶



5



6 ▶

