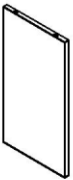

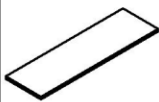





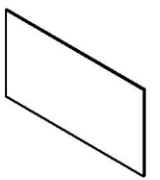




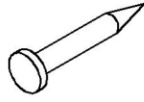
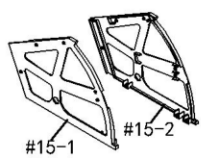
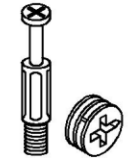


Montážny návod Fatma botník

Sc206

PARTS LIST:

								
#1: 1PC	#2: 1PC	#3: 1PC	#4: 2PCS	#5: 1PC	#6: 1PC	#7: 1PC	#8: 1PC	#9: 1PC
								
#10 (3.5*12) : 14PCS	#11 (4*18) : 1PC	#12: 1PC	#13: 6PCS	#14: 12PCS	#15: 1PCS		#16: 12PCS	

