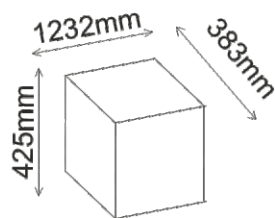
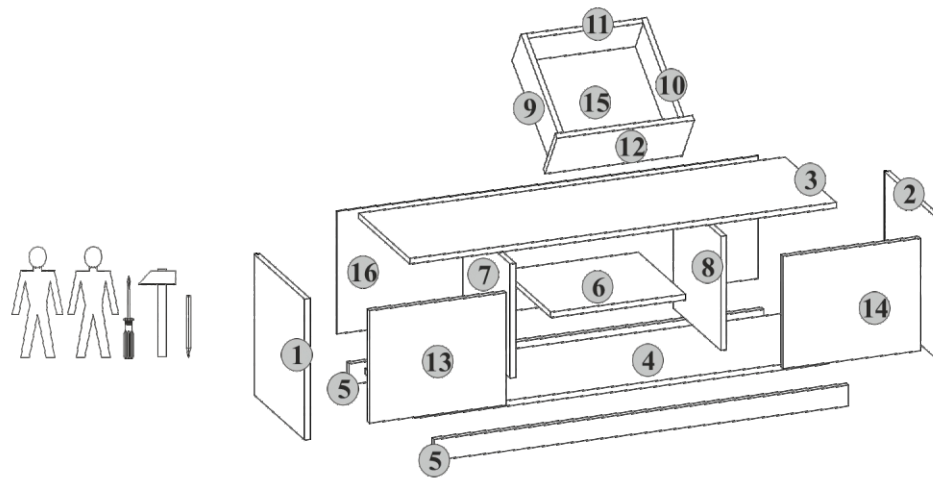

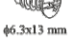








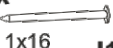





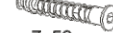

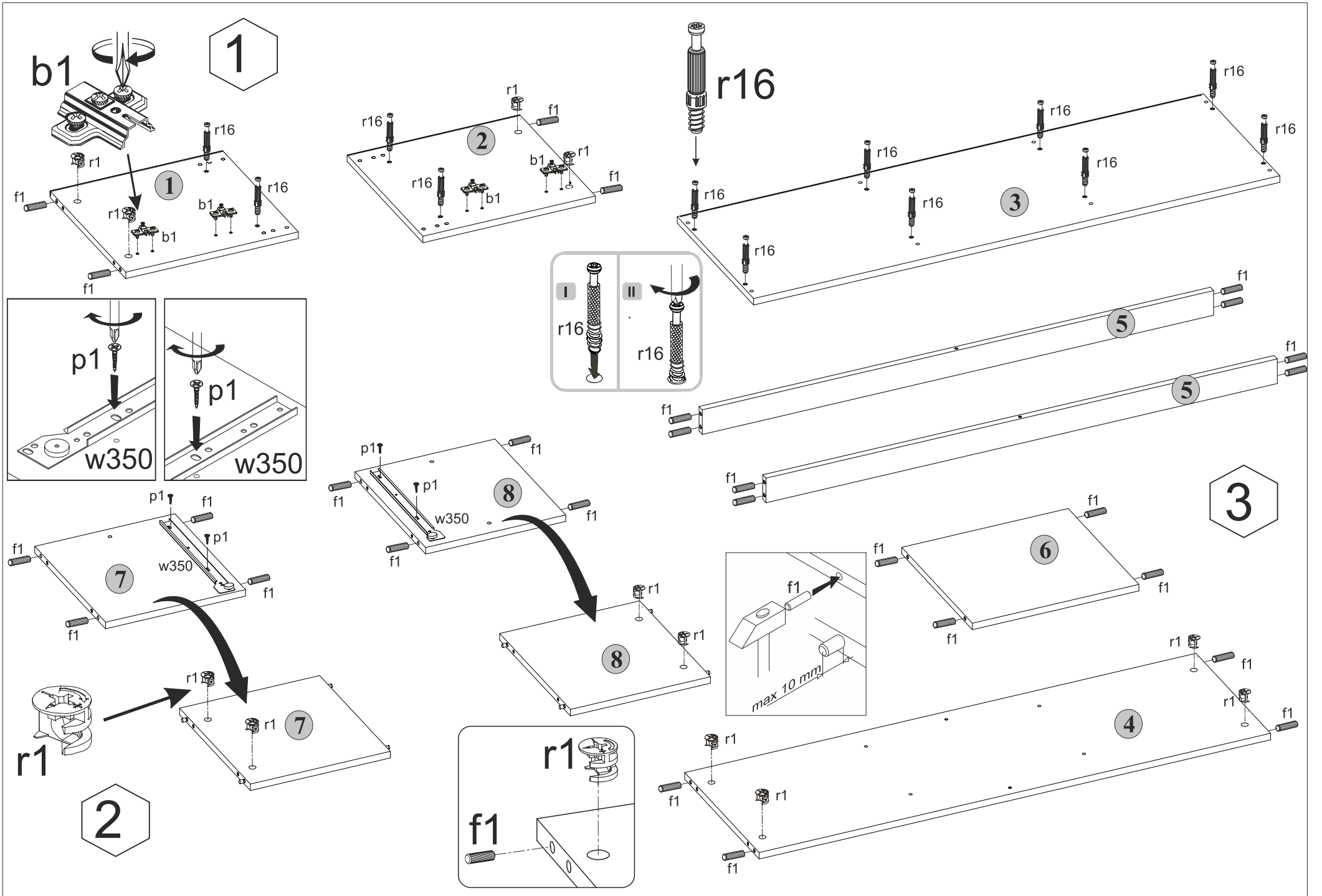
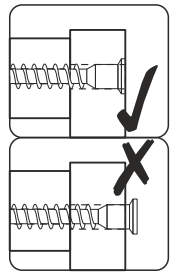


TEYO 2D1S

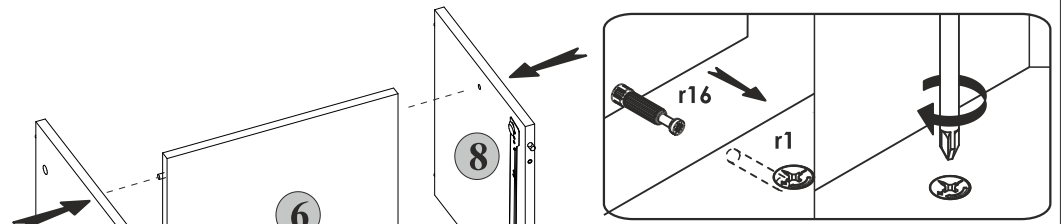
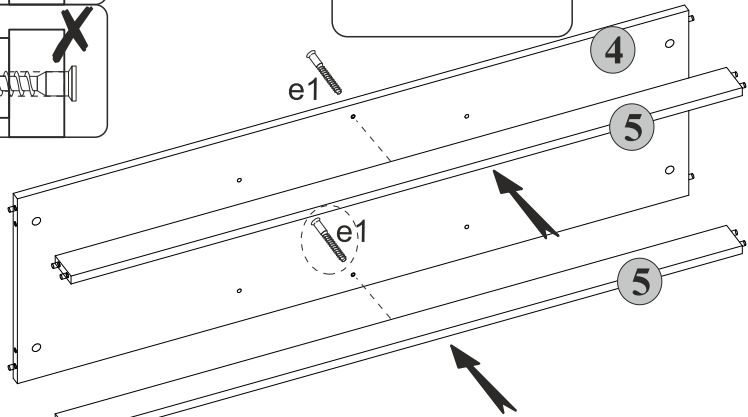
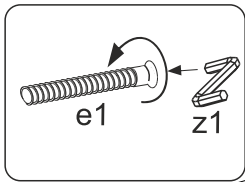


1x  s3	20x  φ6.3x13 mm e2	1x  w350	1x  GLUE y1	1x  c114	14x  φ15 #16 r1
8x  k1	14x  r16	4x  a2	2x  p78	50x  1x16 l1	1x  z1
20x  φ3.5x13 mm p1	14x  s2	4x  b1	36x  φ8x30 mm f1	8x  7x50 e1	8x  s1

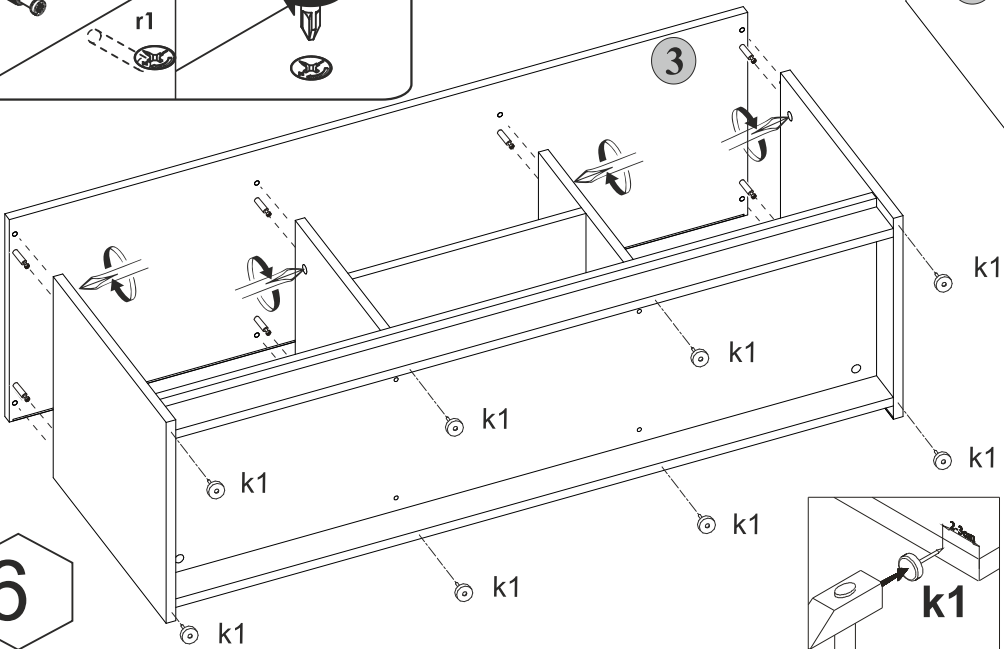
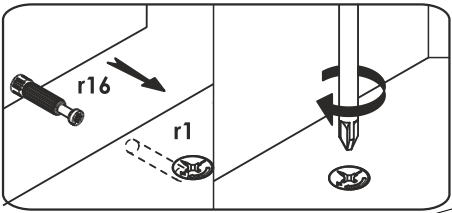
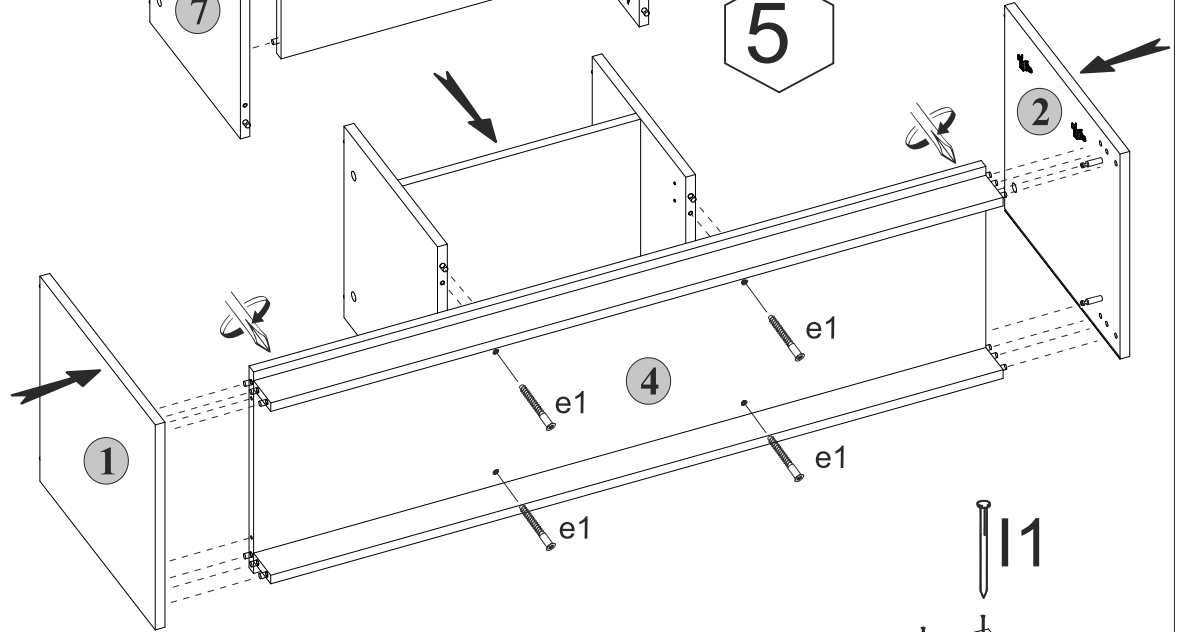




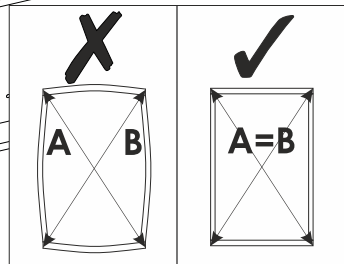
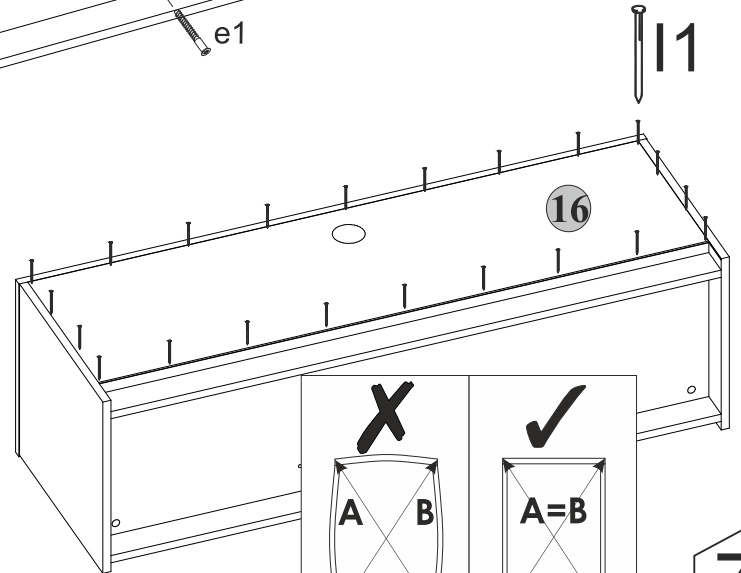
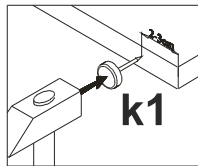
4



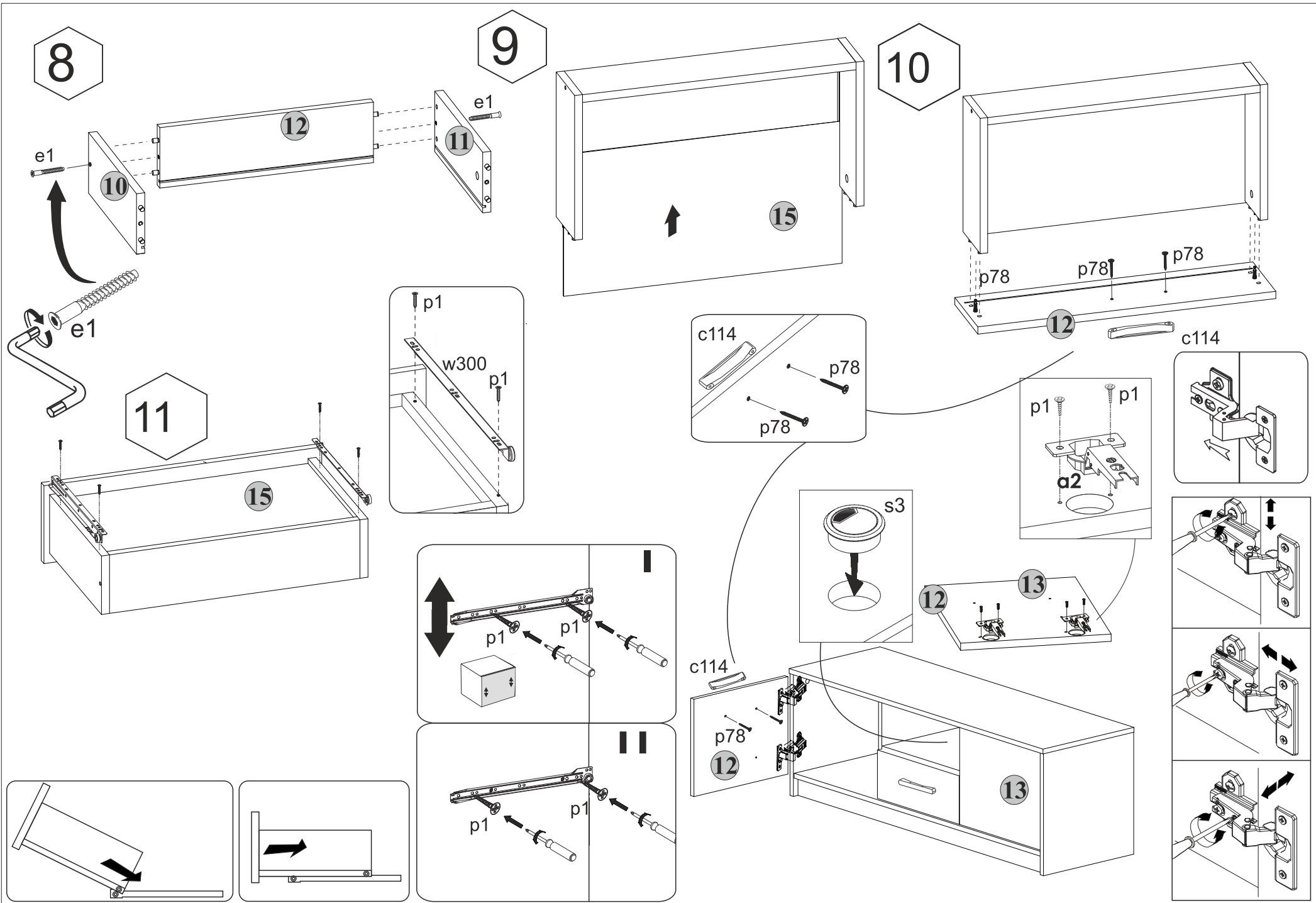
5



6



7



8

9

10

11

15

c114

p78

p78

c114

p1

p1

a2

s3

12

13

c114

p78

12

13

