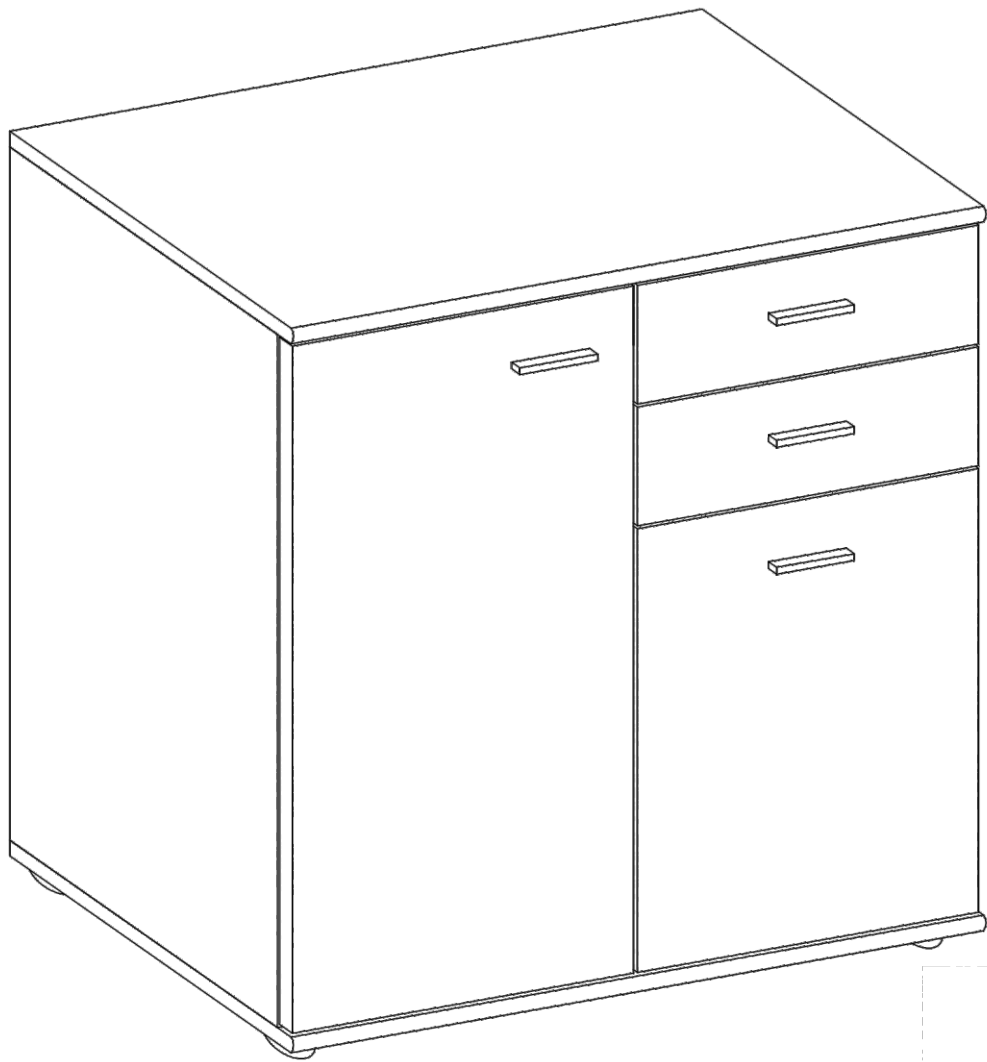
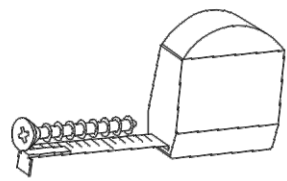
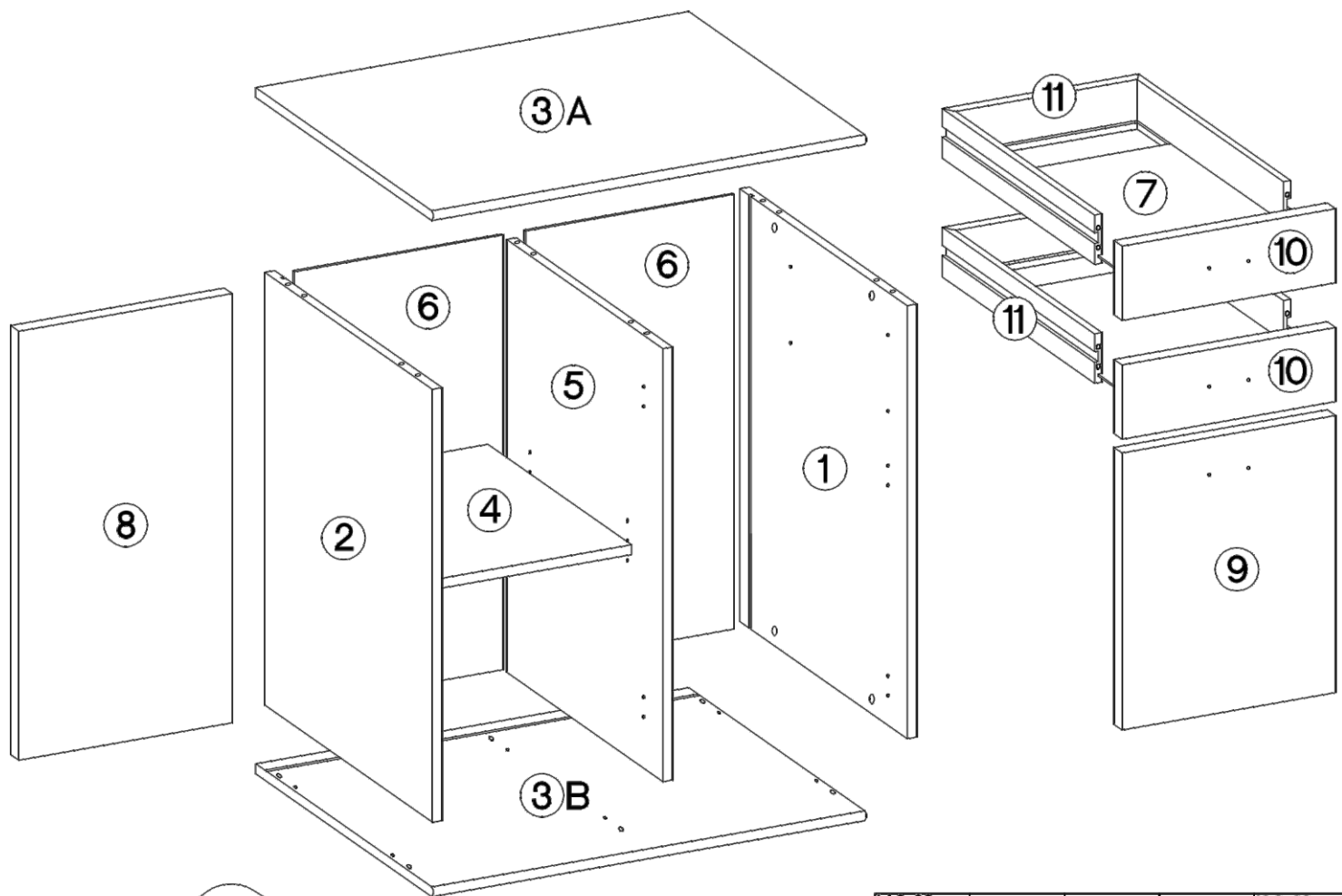
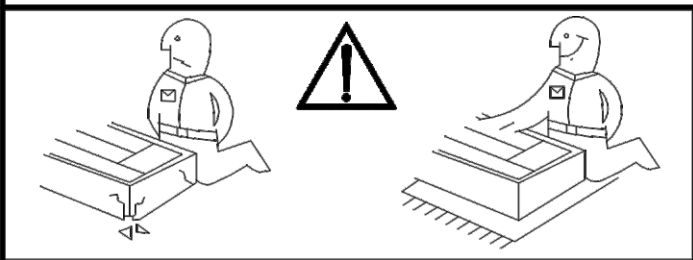









TAMPA 2-2T2S

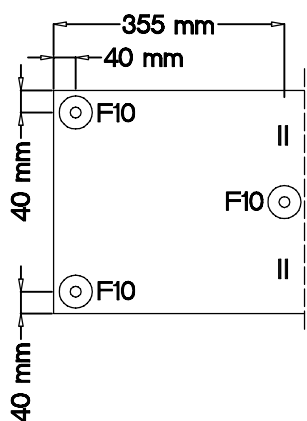
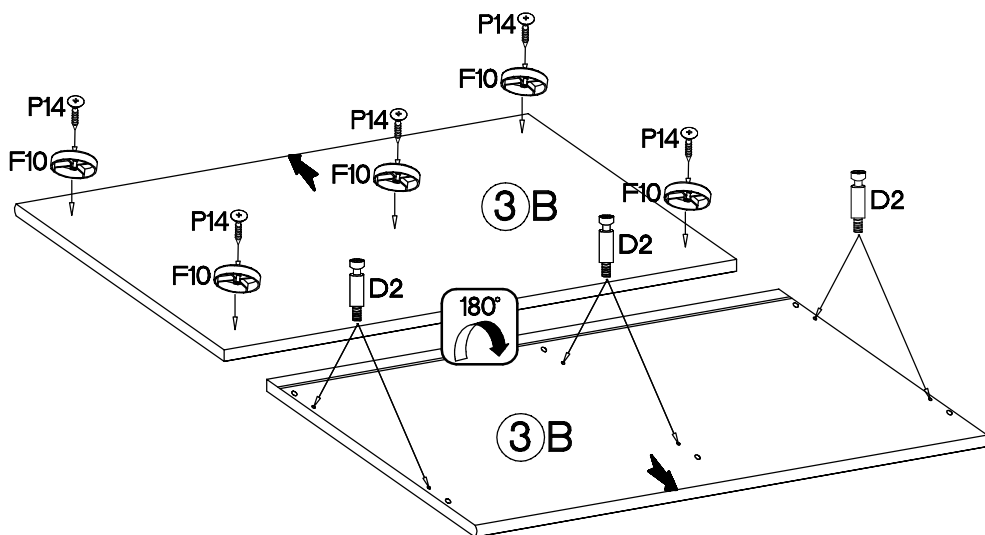
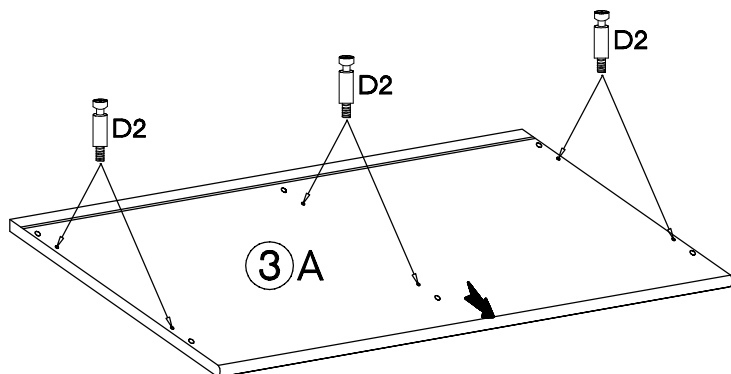
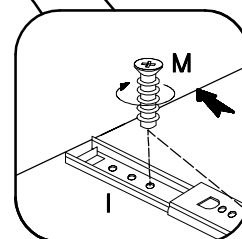
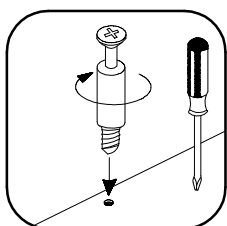
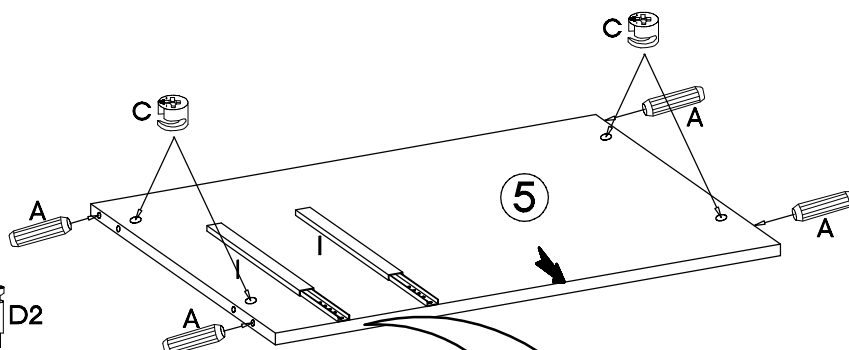
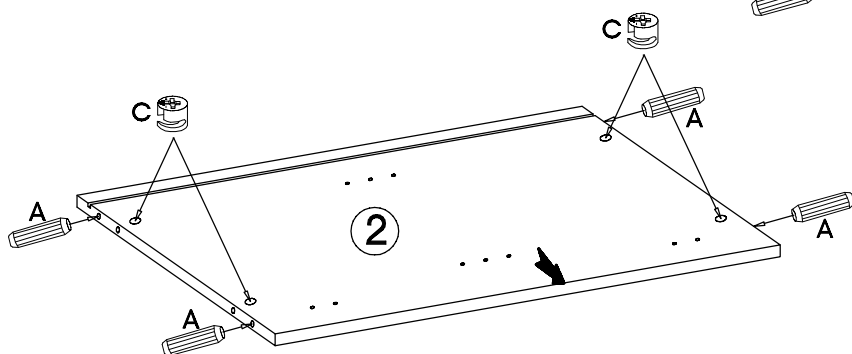
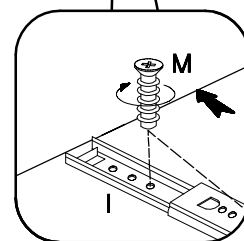
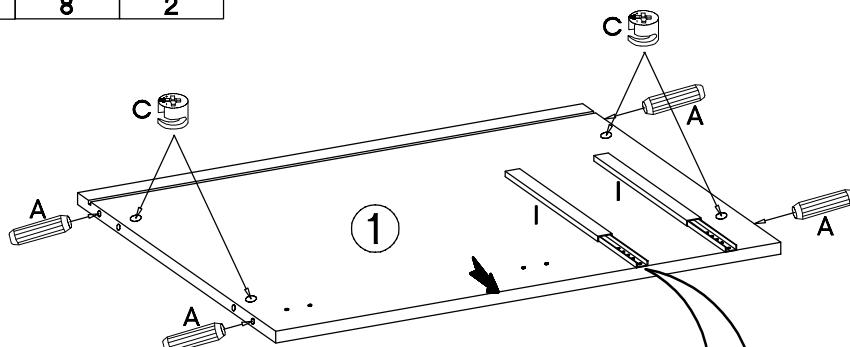
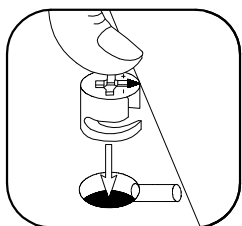





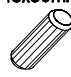
			R2	L2	J3	L	P7
			8	5	4	8	5
M	I	S13	P14	F10	U1	O7	L9
8	2	4	5	5	4	1	1
P5	H	G	A	D2	C	E	O1
9	4	4	20	12	12	8	1

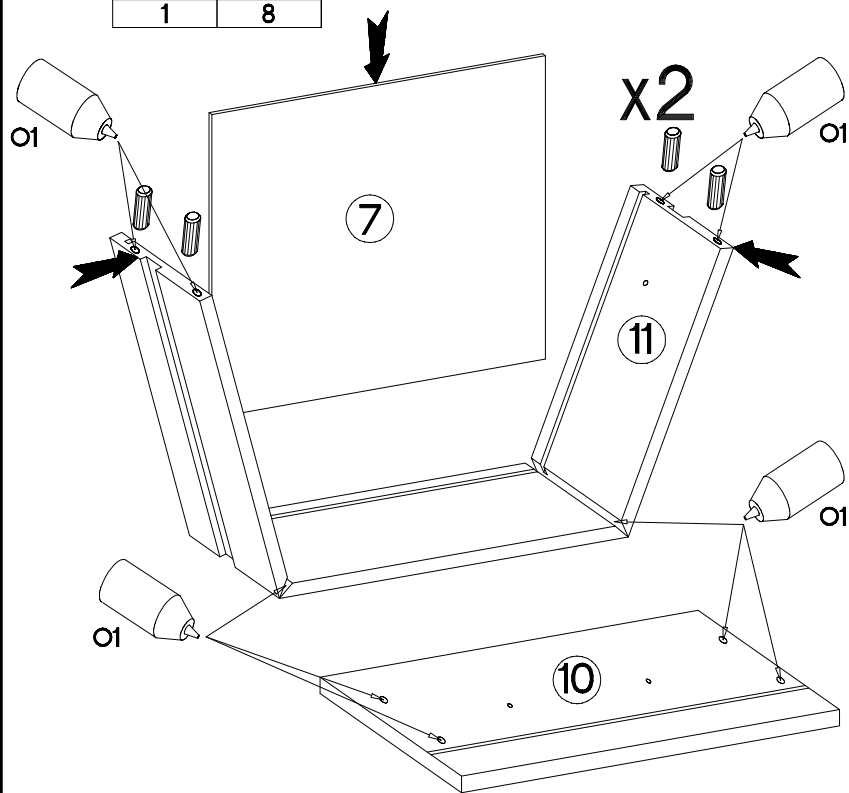
1.

 #8x30mm A	 L-20mm D2	 #15/12mm C	 #4.0x25mm P14	 #5.0x13mm F10	 #5.0x13mm M	 L-246/17mm I
12	12	12	5	5	8	2

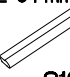



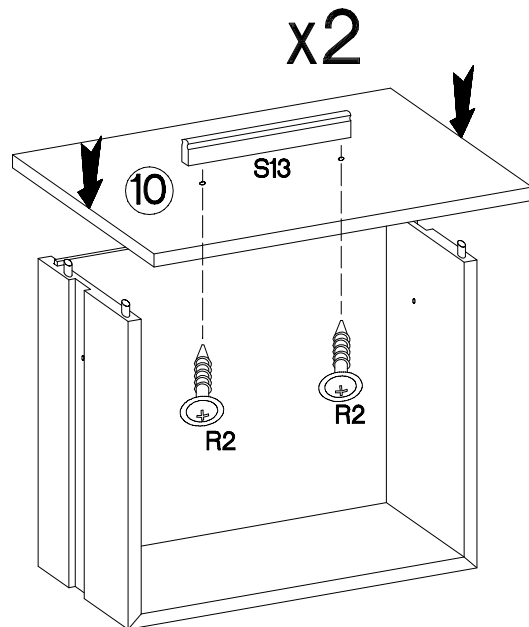
2.

	
O1	+8x30mm A
1	8

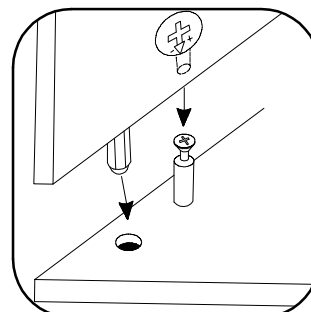
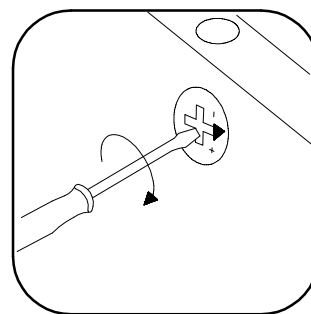
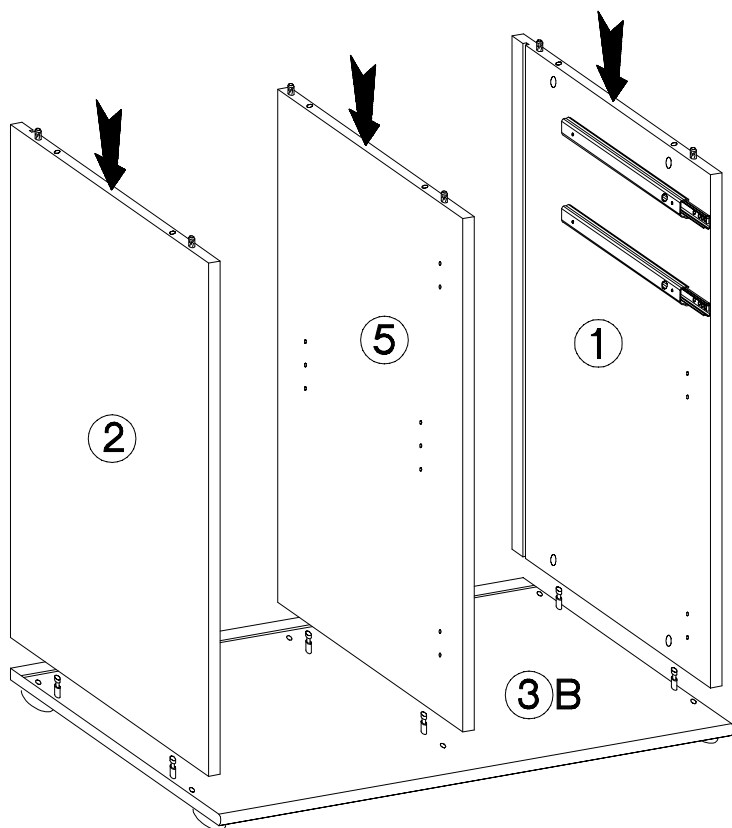


3.

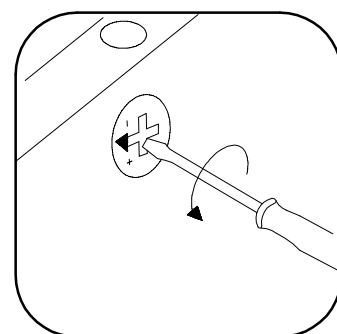
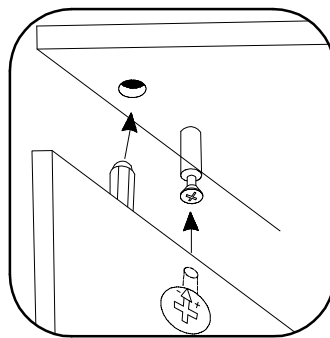
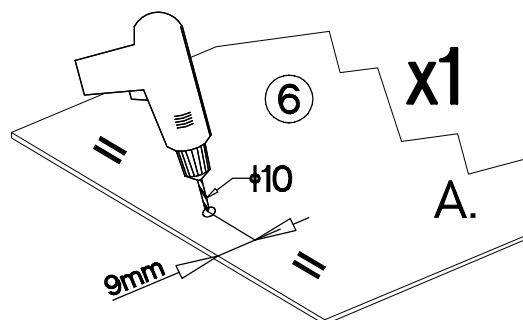
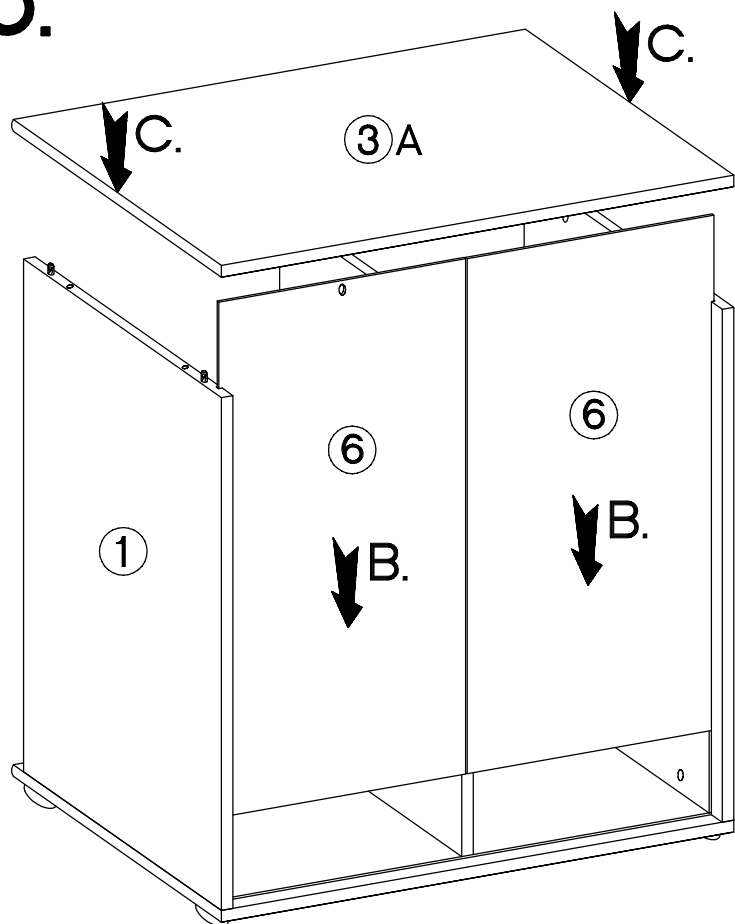
	
L=64 mm S13	+4.0x30mm R2
2	4



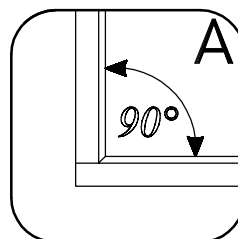
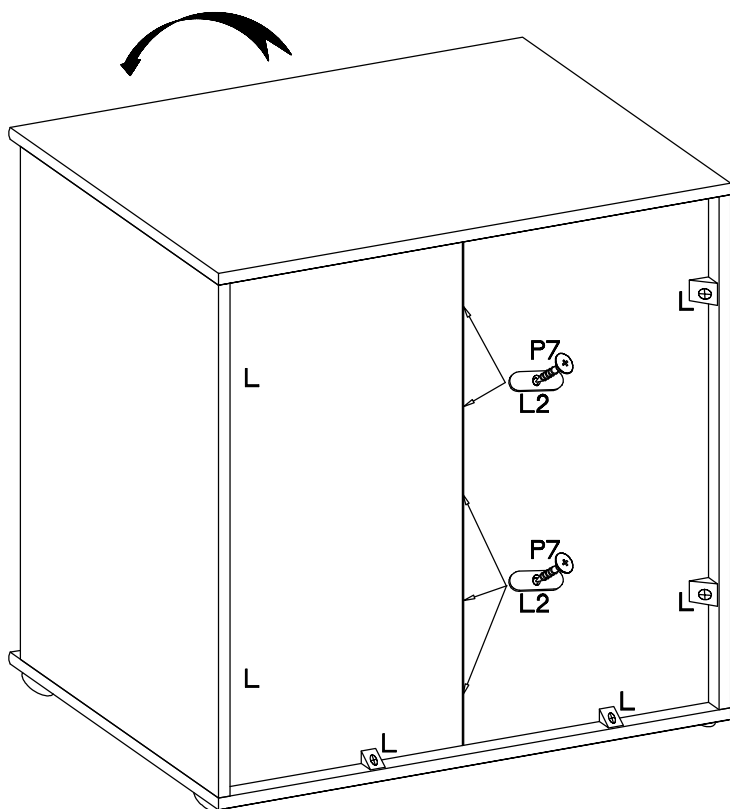
4.



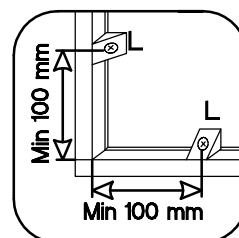
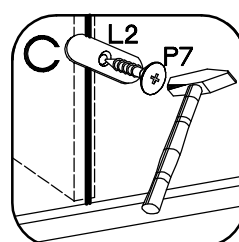
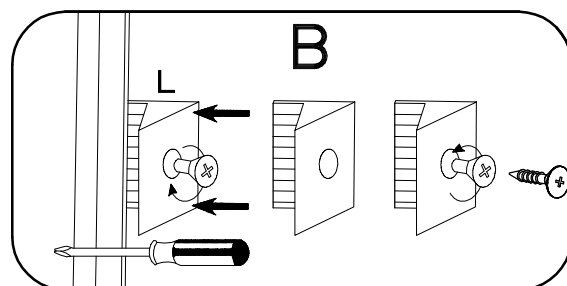
5.



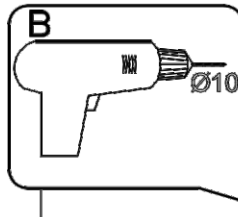
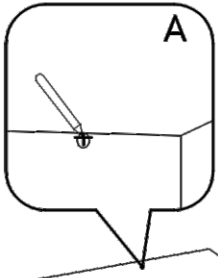
6.



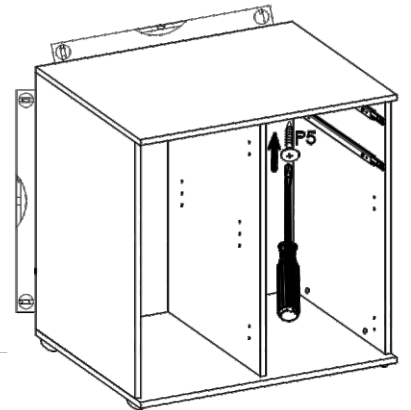
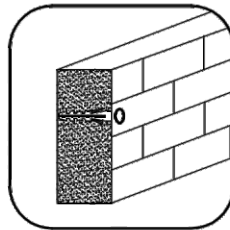
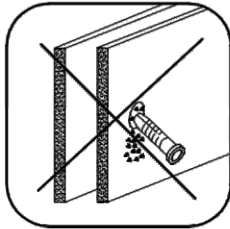
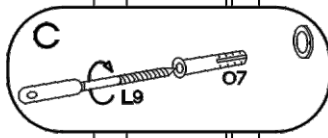
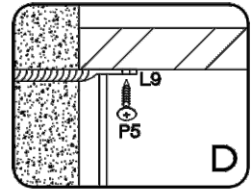
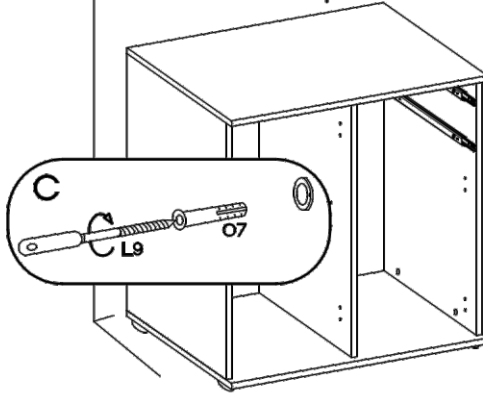
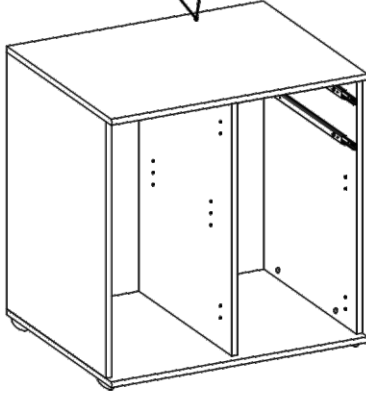
L2	P7	L
5	5	8



7.

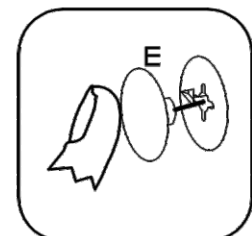
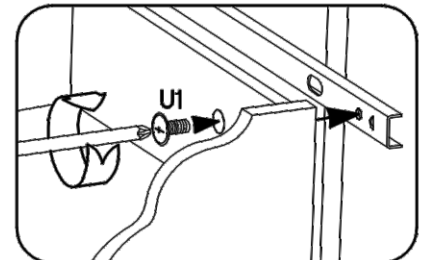
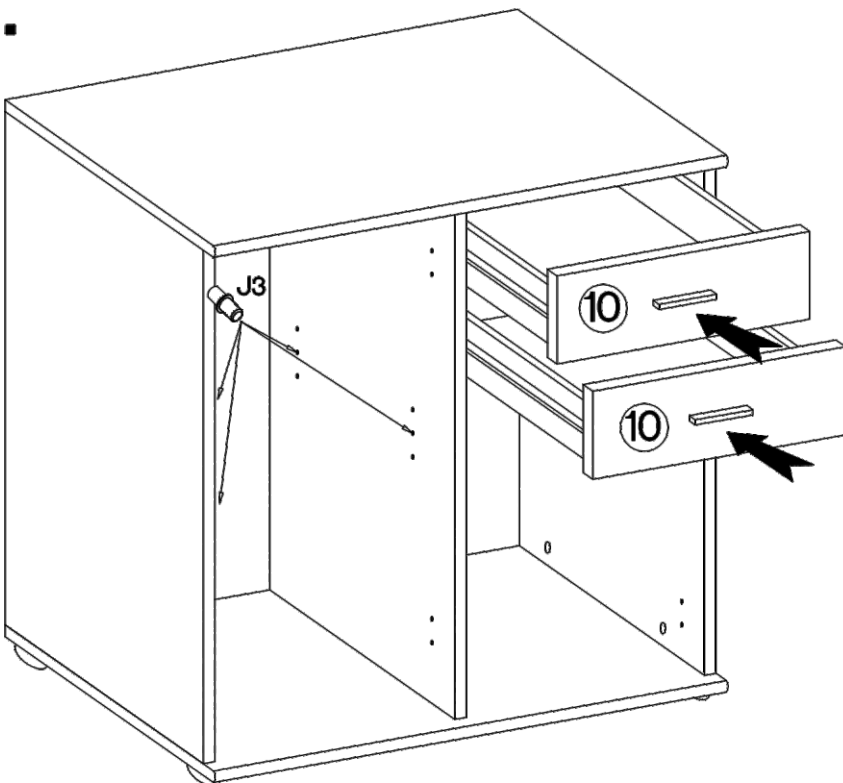


 P5 1	 O7 1	 L9 1
-------------	-------------	-------------




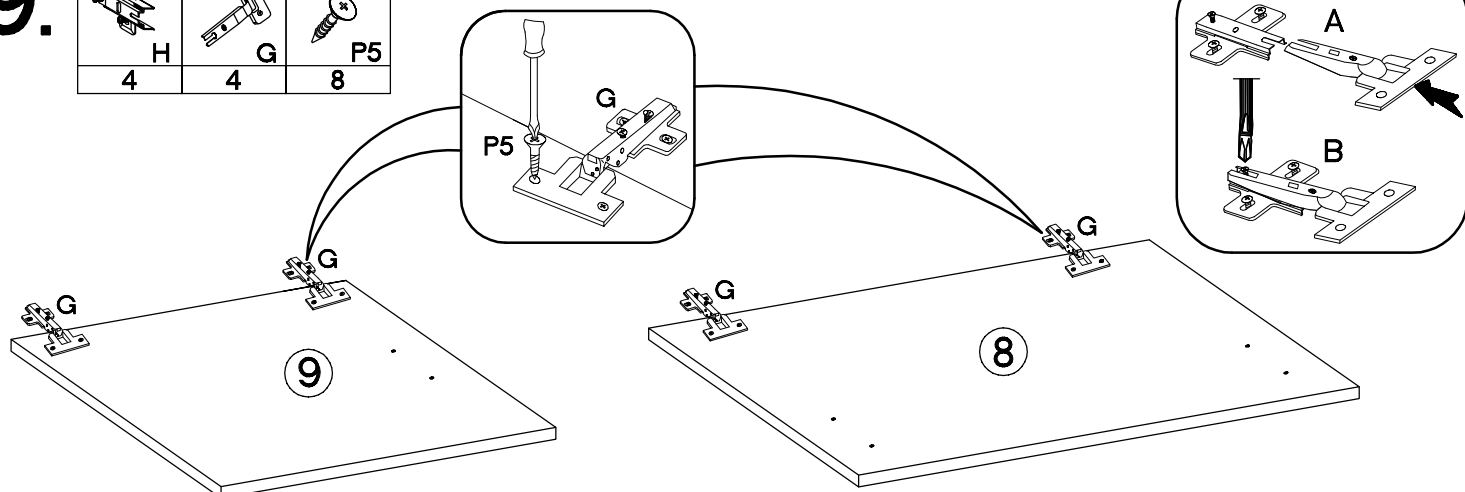
8.

 E 8	 J3 4	 M4x9mm U1 4
------------	-------------	-----------------------

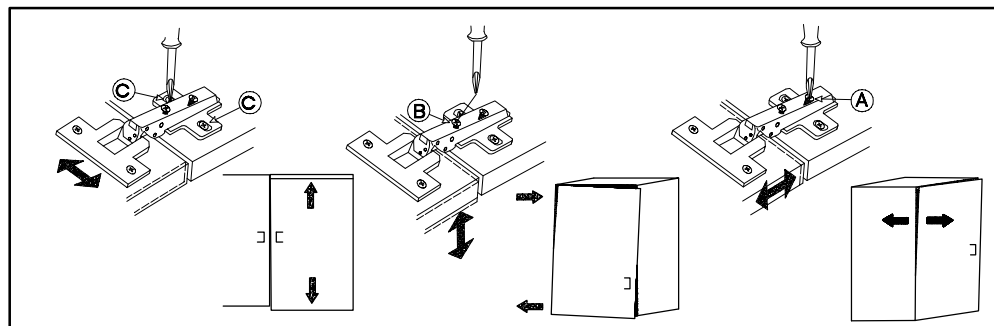
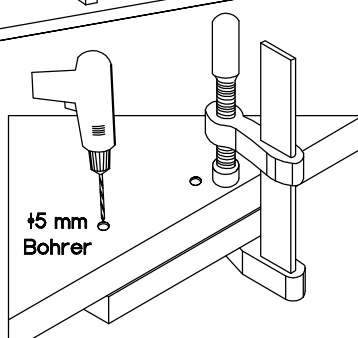
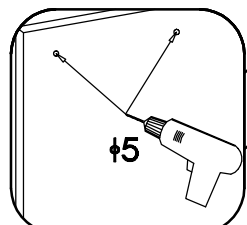
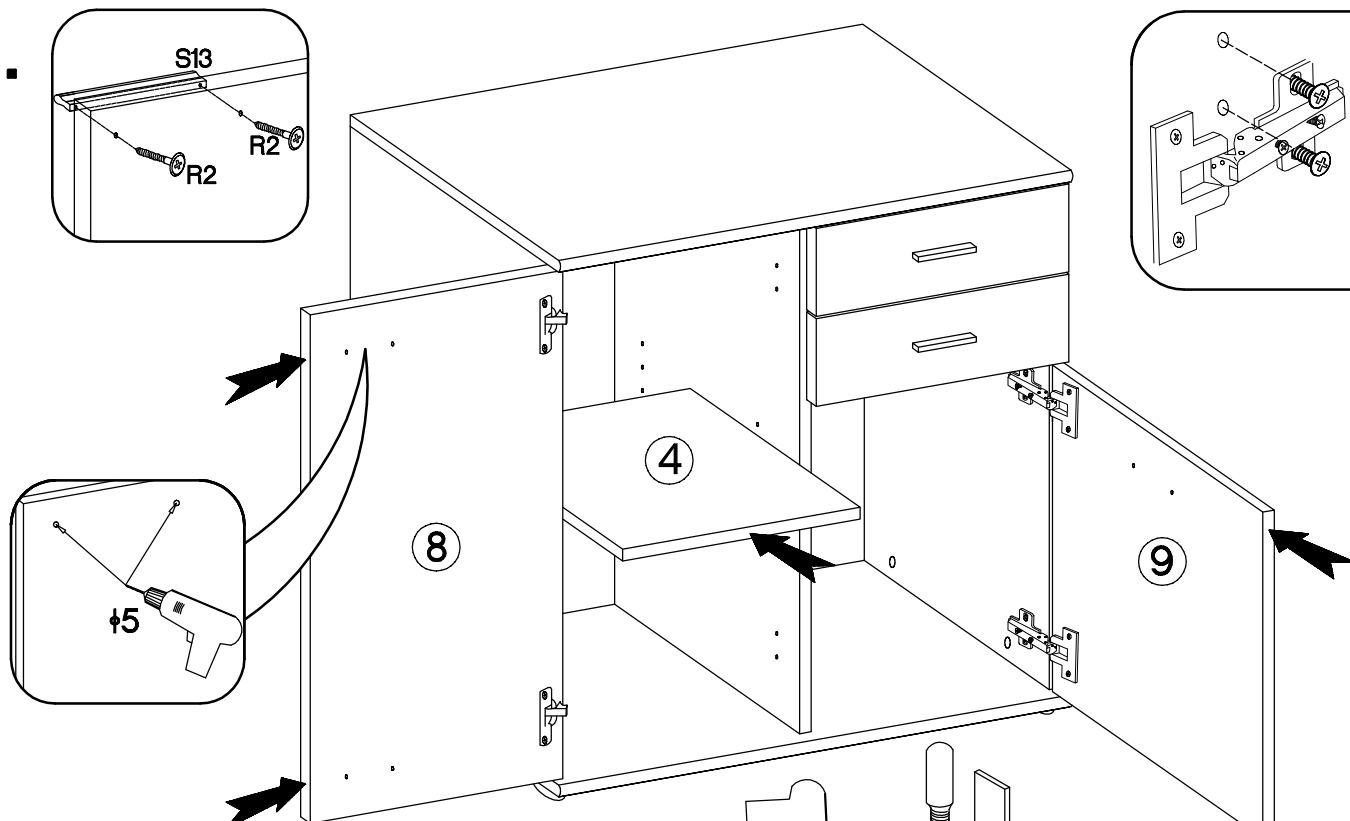
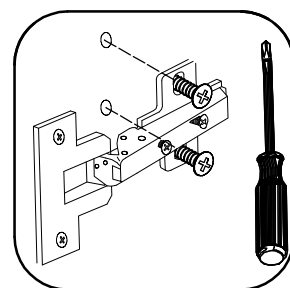
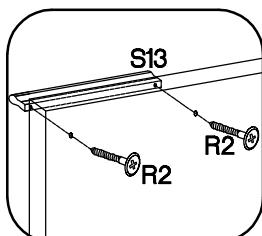


9.

	±35/0mm	±3.5x13mm
H	G	P5
4	4	8



10.



L=64 mm	±4.0x30mm
S13	R2
2	4