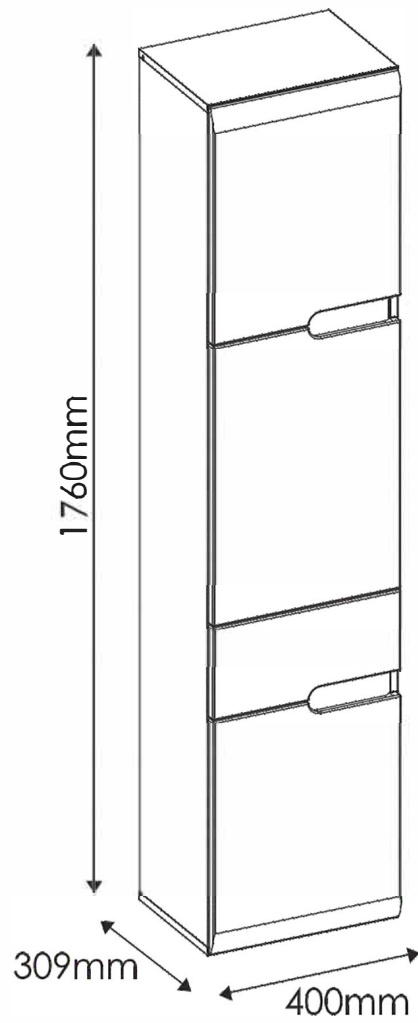




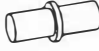





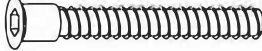

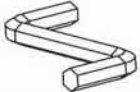




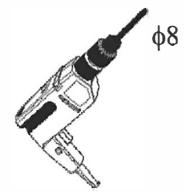
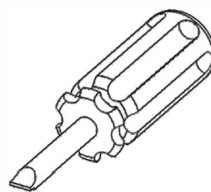
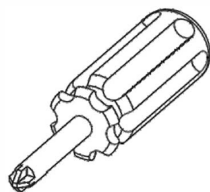
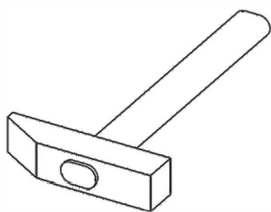
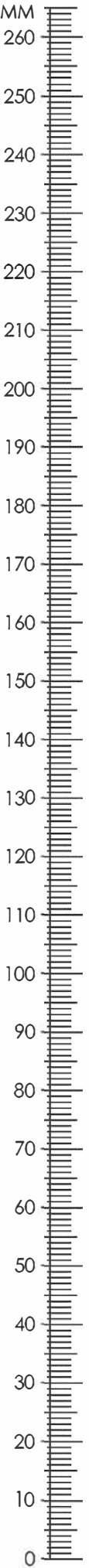
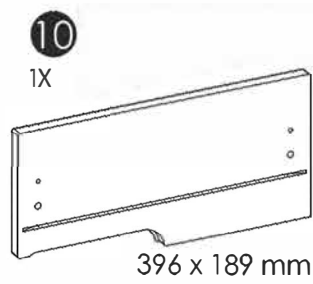
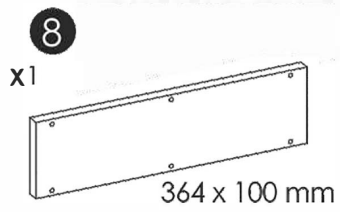
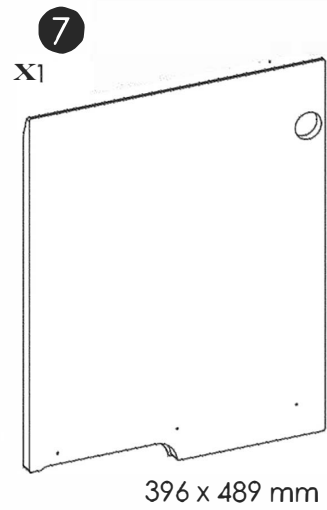
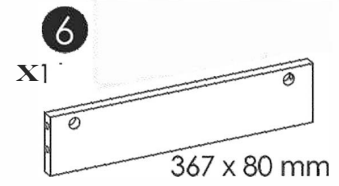
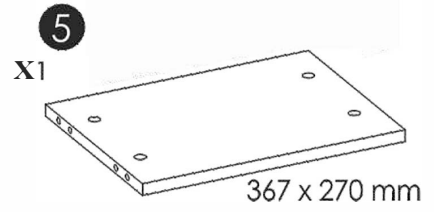
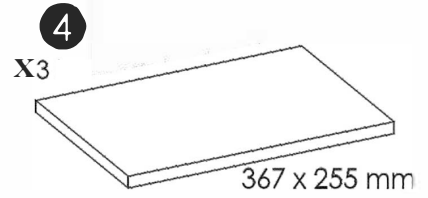
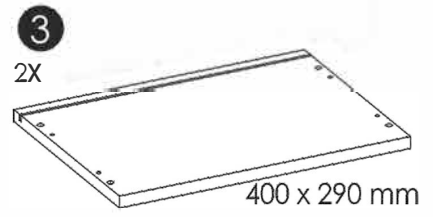
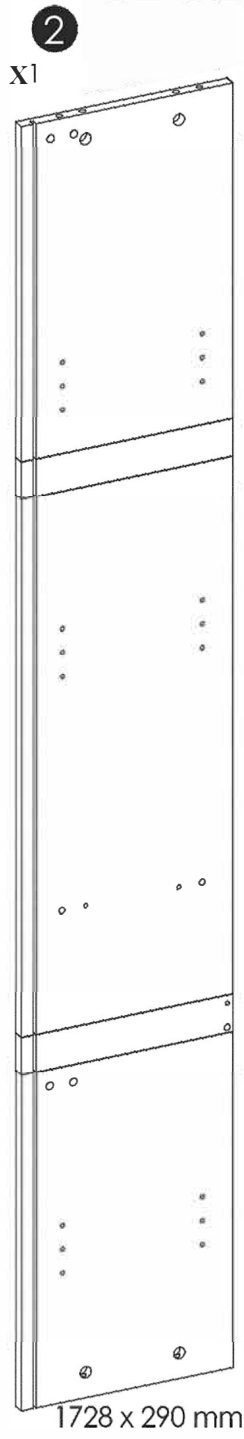
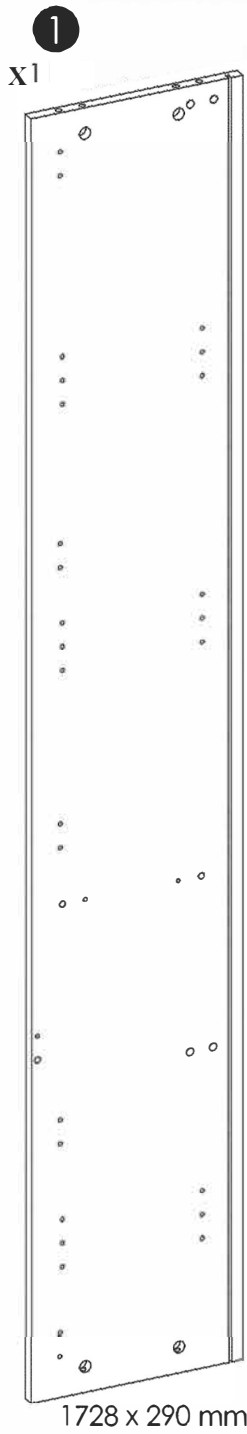


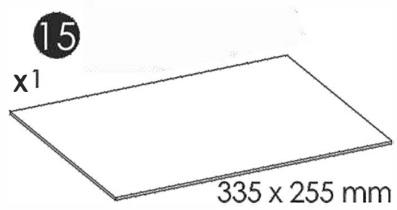
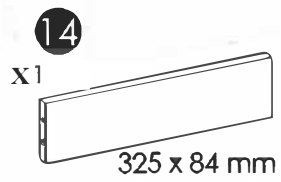
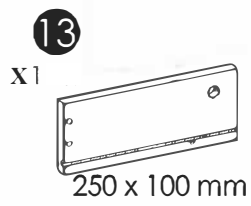
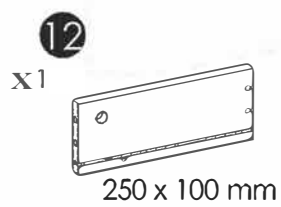
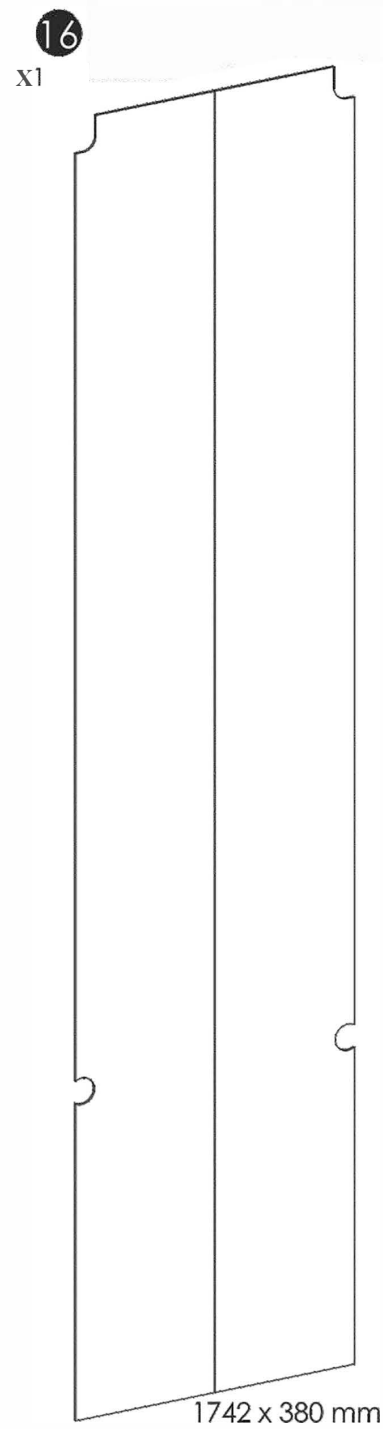
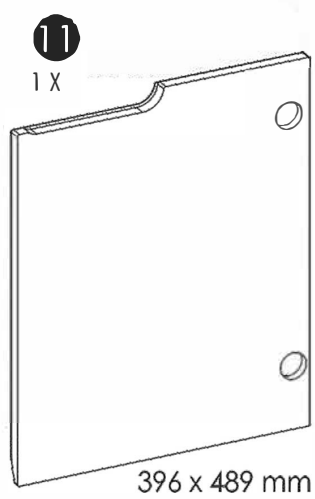
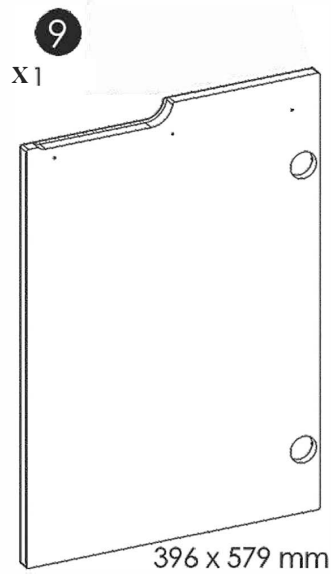
LYNATET 155L

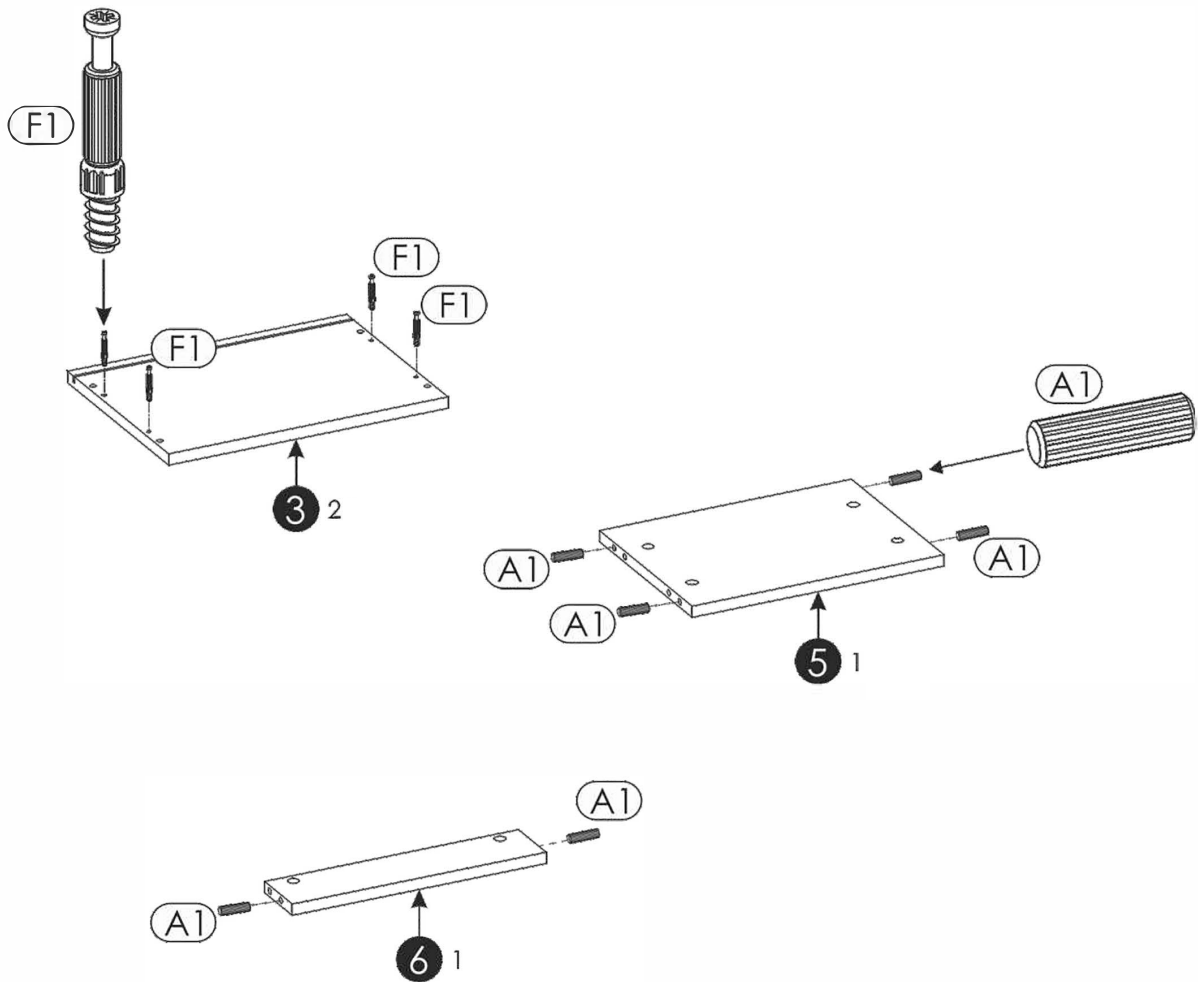
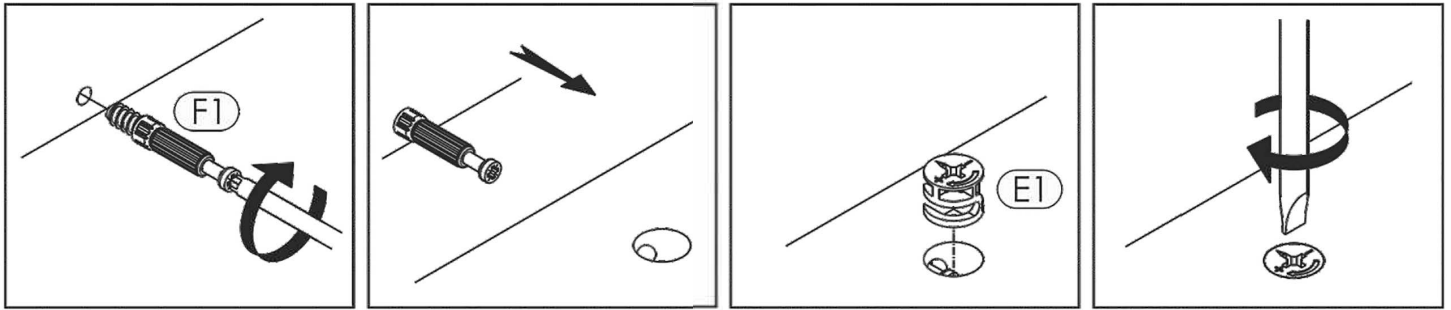


<p>(A1) 18X 8 x 35mm</p> 	<p>(BC1) 5X(2)</p> 	<p>(C1) 10X 4 x 13mm</p> 
<p>(C2) 4X 5 x 13mm</p> 	<p>(D2) 12X</p> 	<p>(E0a) 12X</p> 
<p>(E0b) 4X</p> 	<p>(E1) 16X $\varnothing 15 \times 12\text{mm}$</p> 	<p>(F1) 16X $\varnothing 6 \times 34\text{mm}$</p> 
<p>(G0) 2X</p> 	<p>(G1) 2X $\varnothing 7 \times 50\text{mm}$</p> 	<p>(J6) 6X 4 x 30mm</p> 
<p>(M) 1X</p> 	<p>(N1) 6X 3 x 16mm</p> 	<p>(P8a) 2X(2)</p> 
<p>(R4) 18X</p> 	<p>(T14) 1X(2)</p> 	

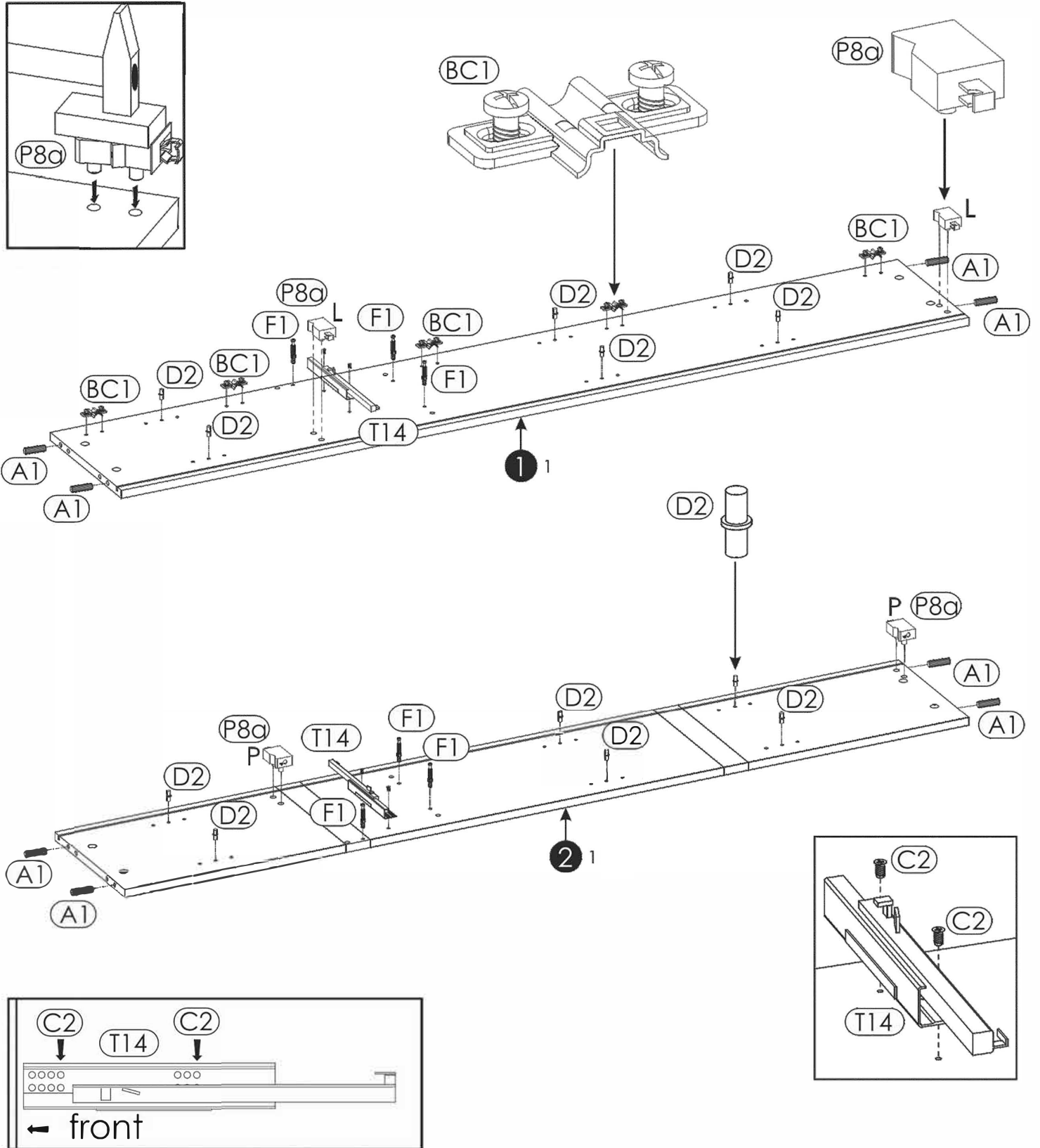






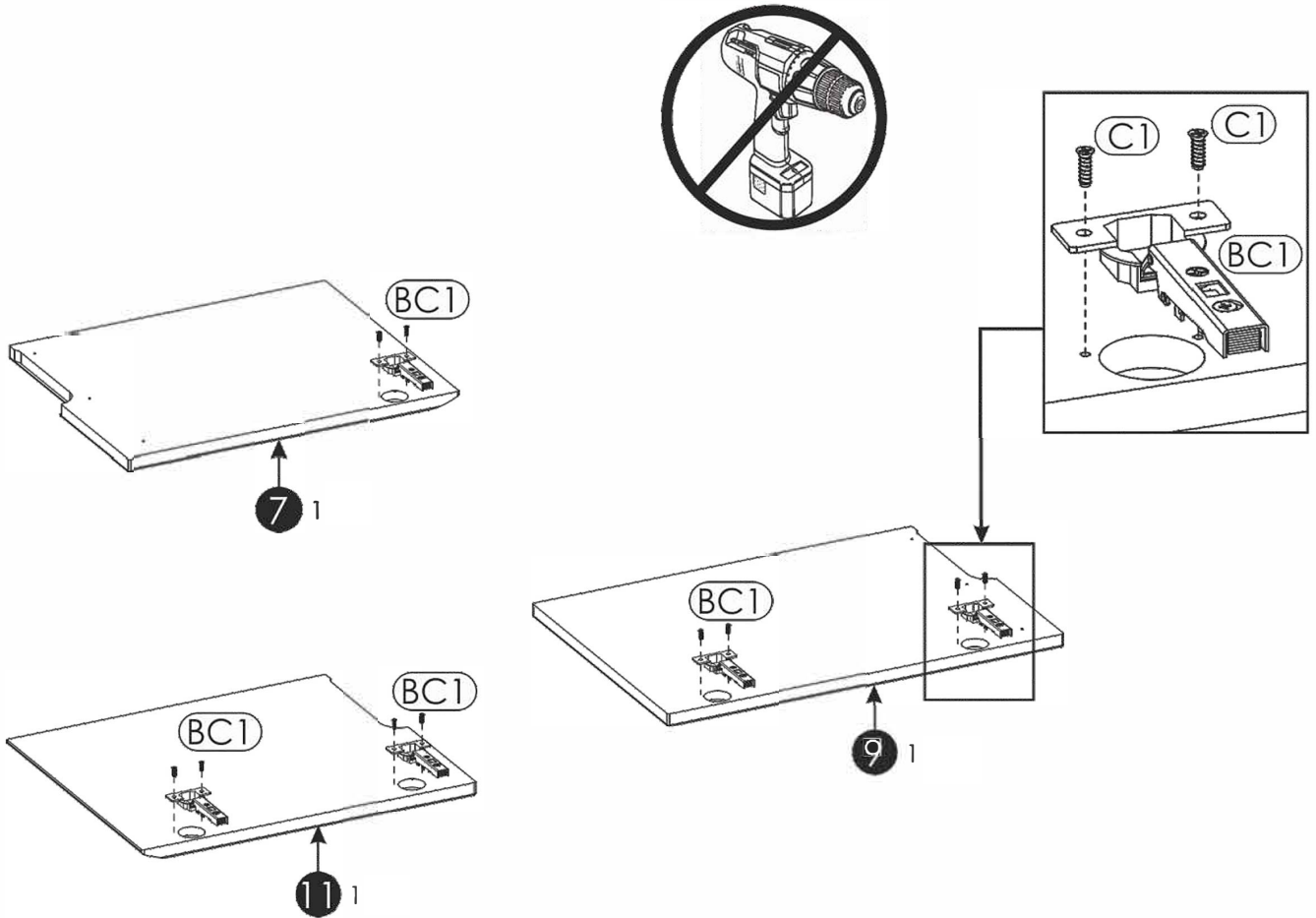


2 ▶

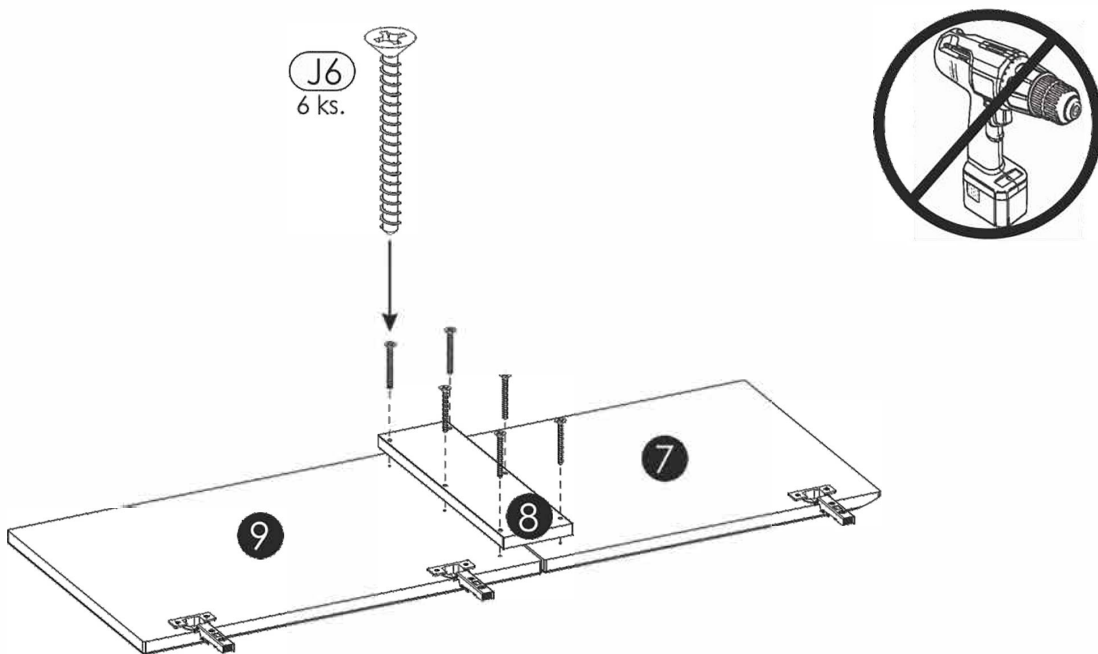


2.2.

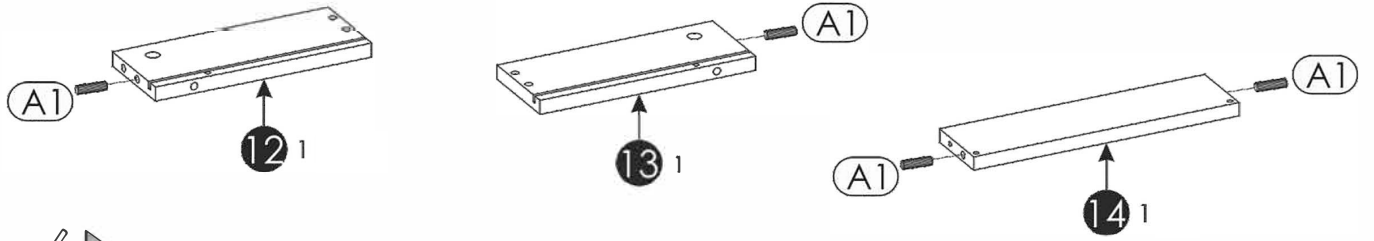
3 ▶



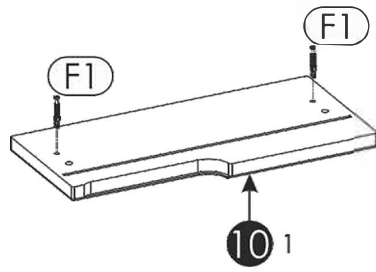
4 ▶



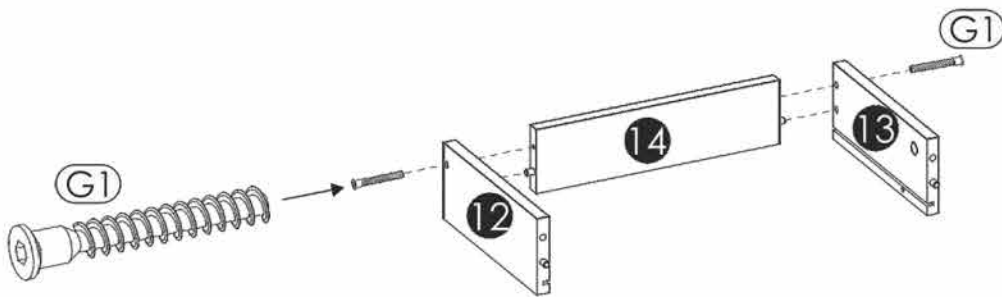
5 ▶



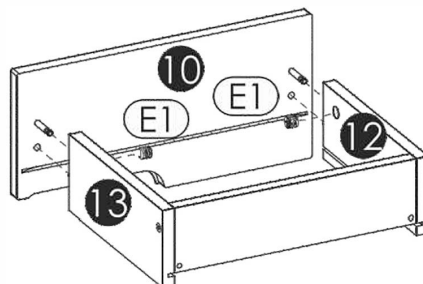
6 ▶



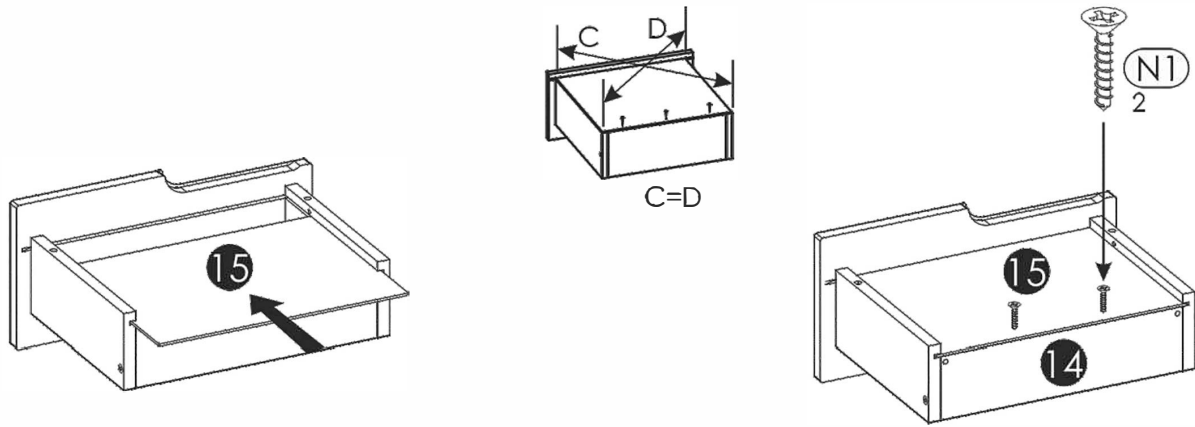
7 ▶



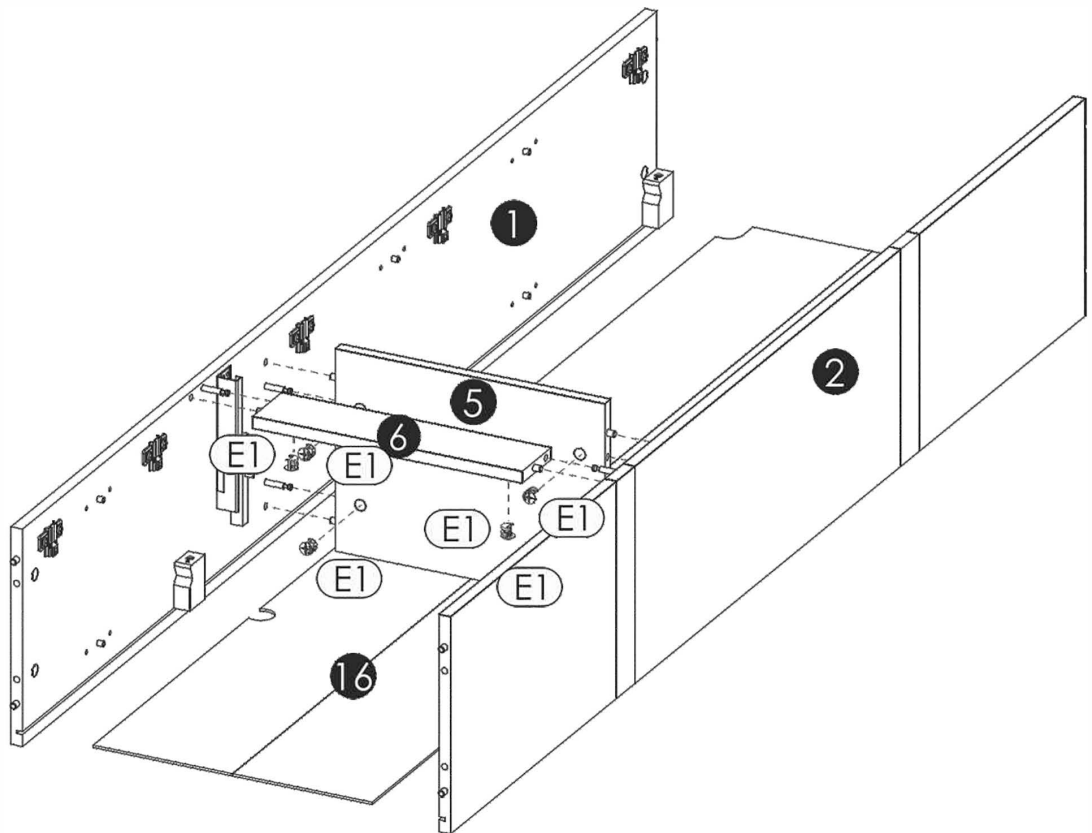
8 ▶



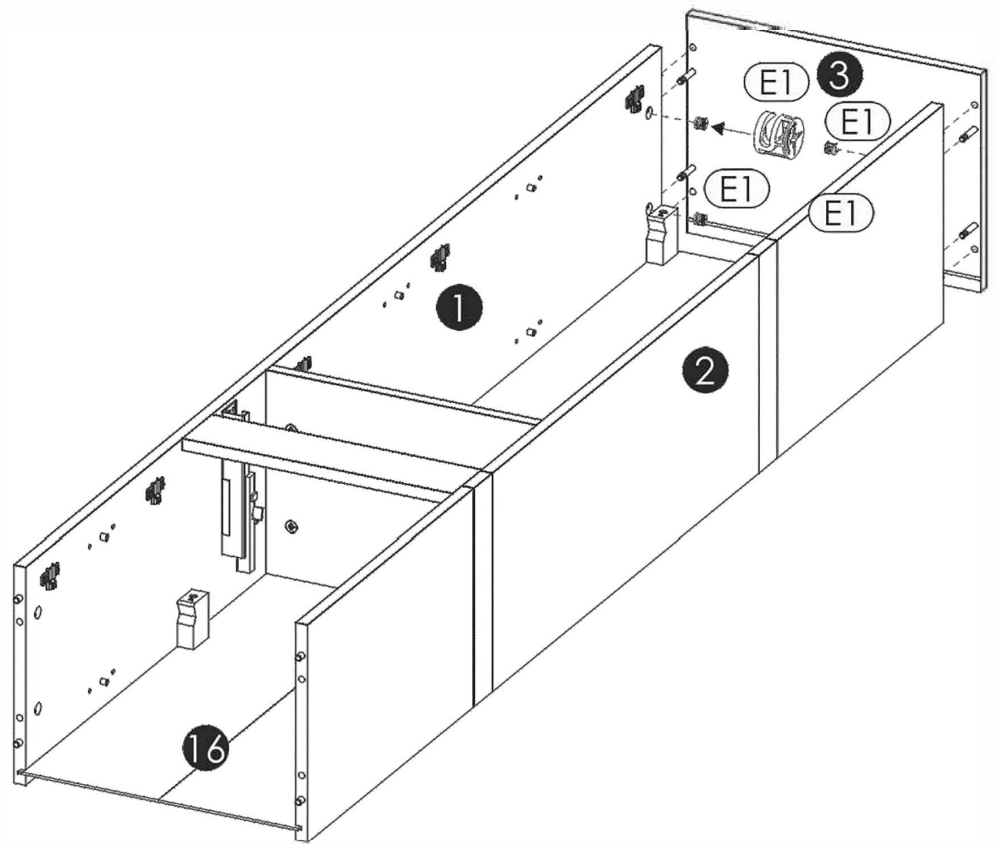
9 ▶



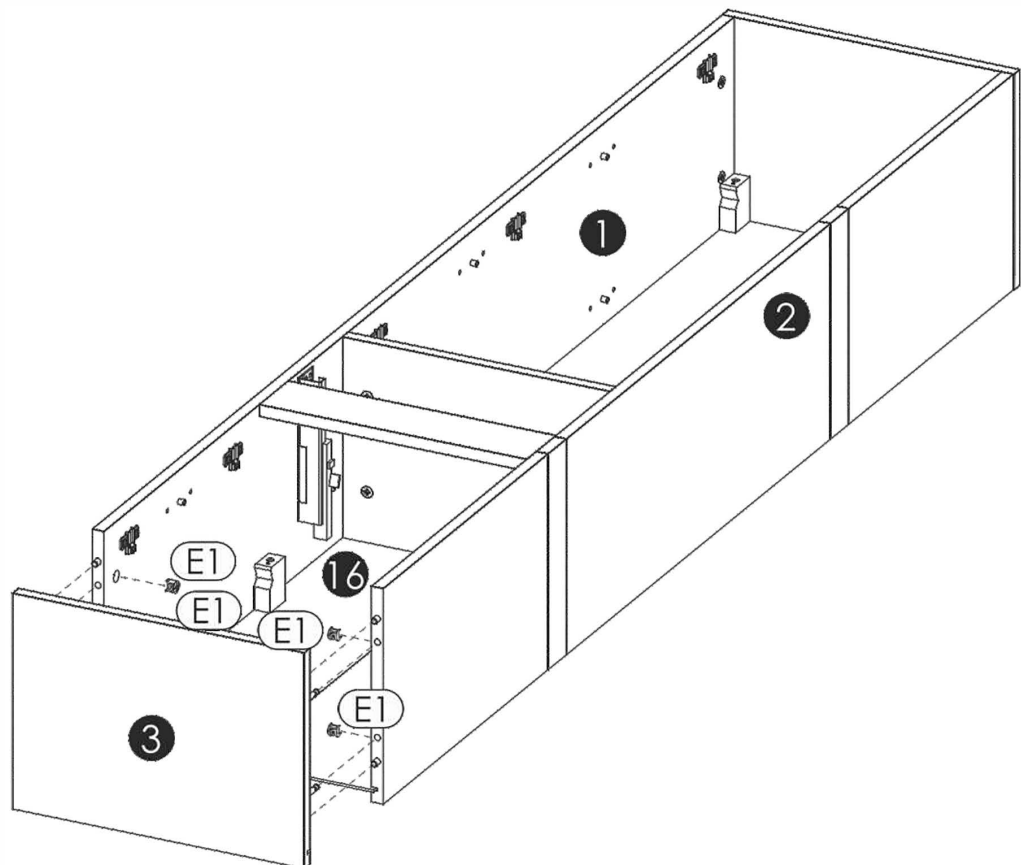
10 ▶

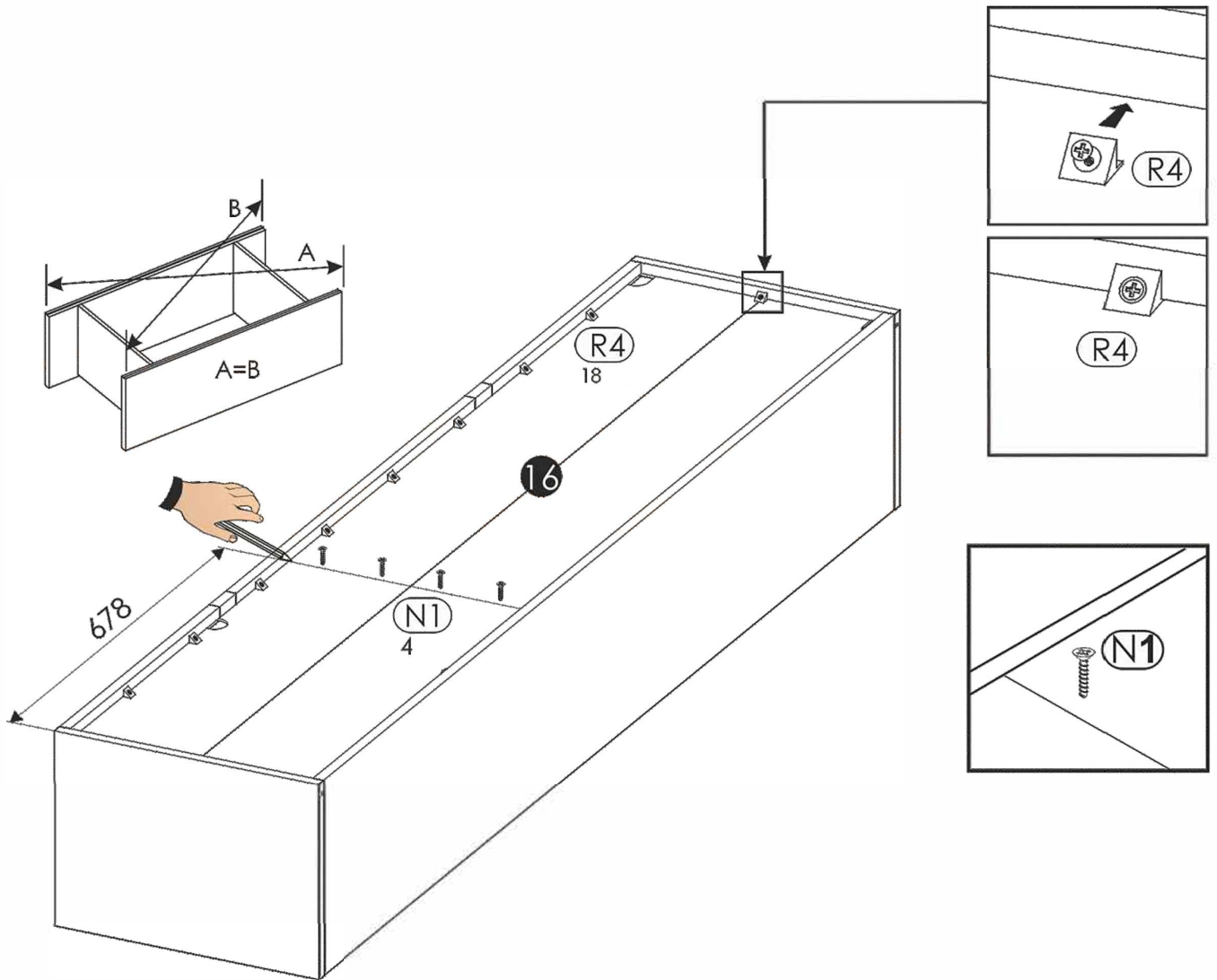


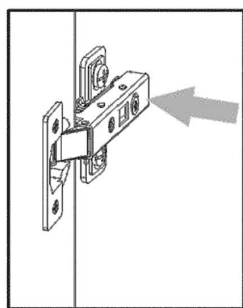
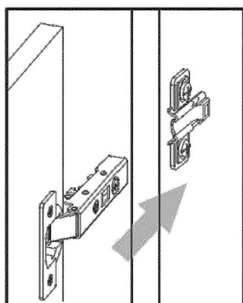
11 ▶



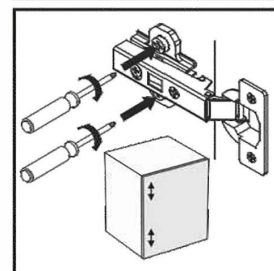
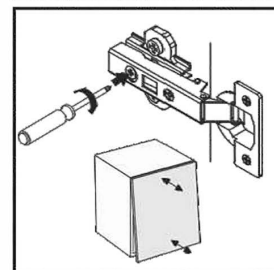
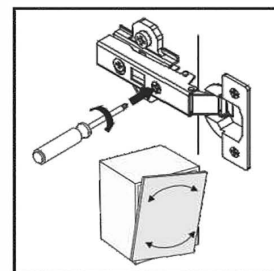
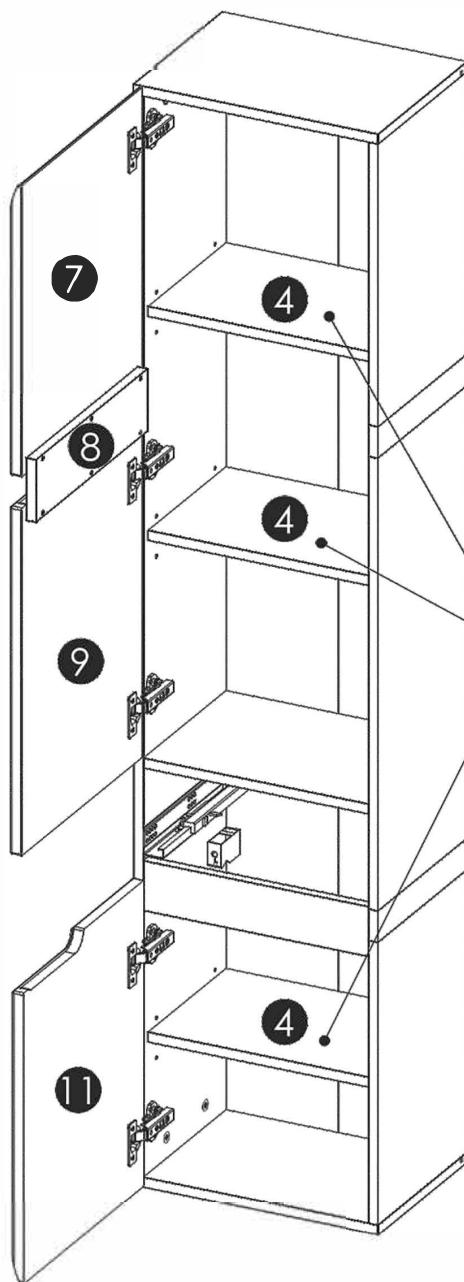
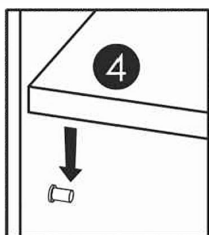
12 ▶





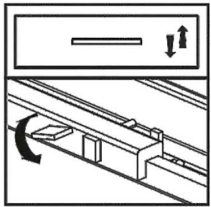
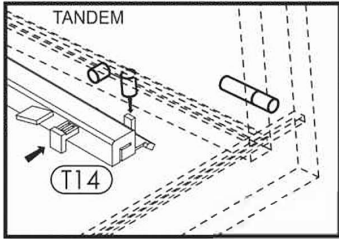
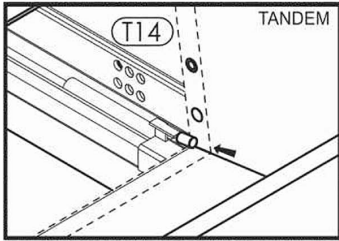


14.1.

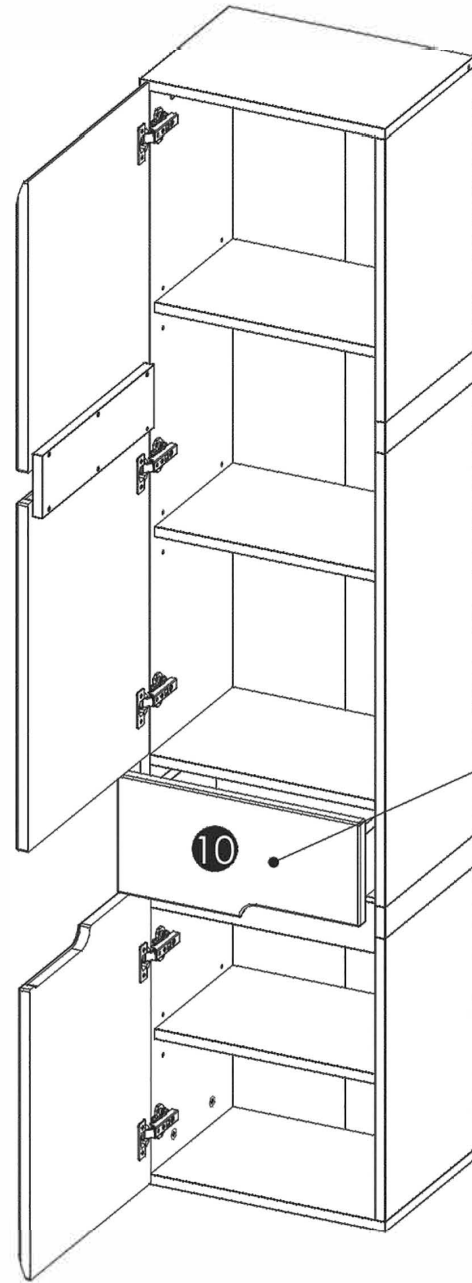


14.2.

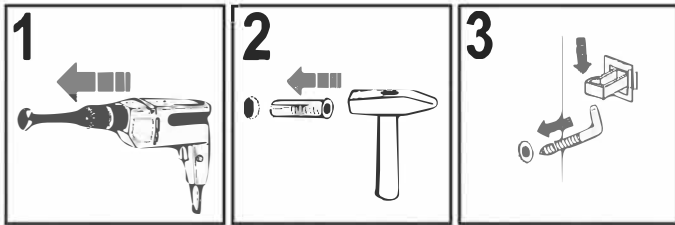
15 ▶



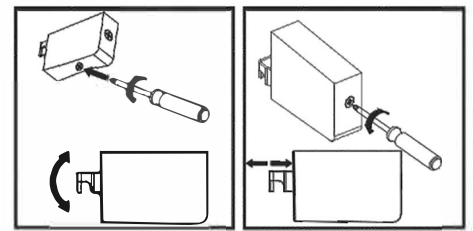
15.1



 max. 5 kg



15.2.



15.3.

16 ▶

