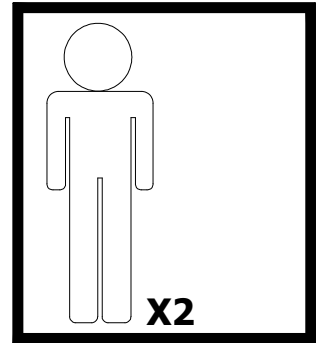
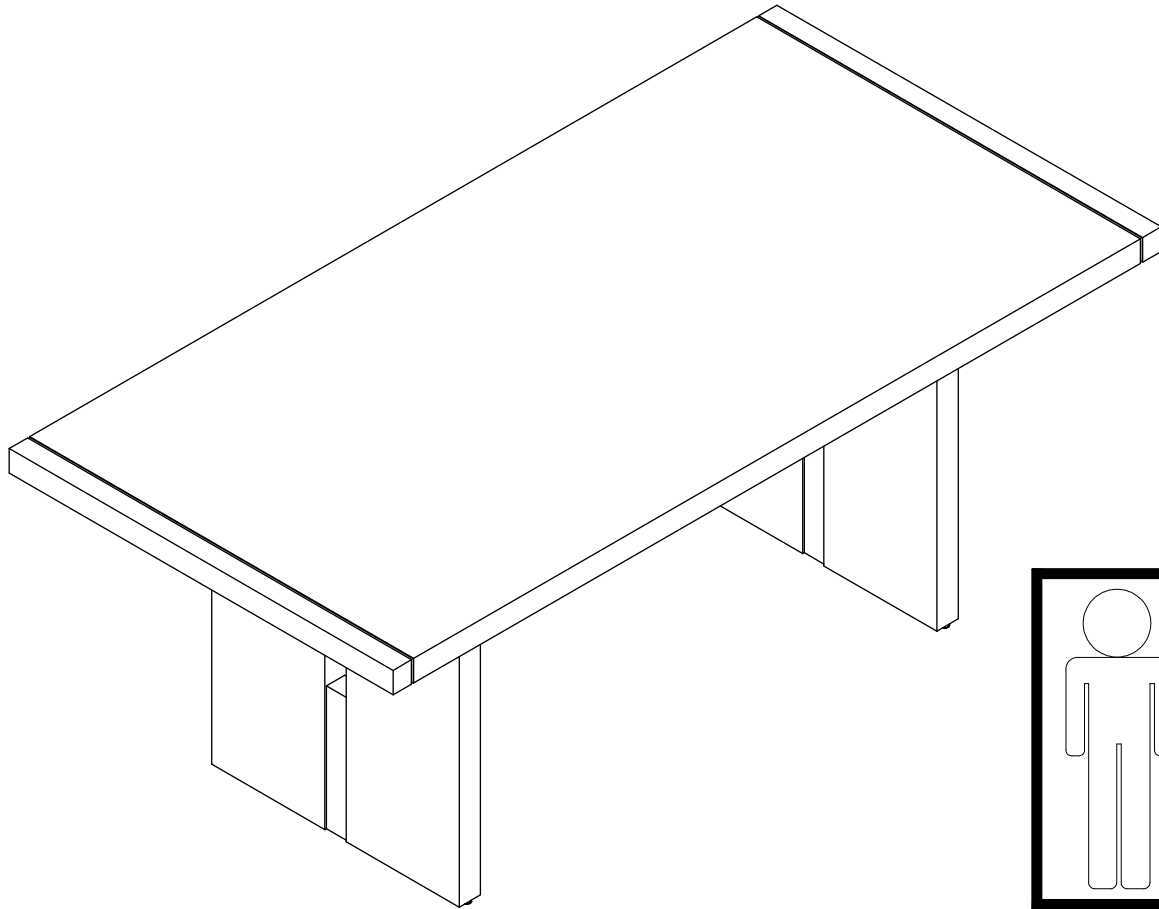
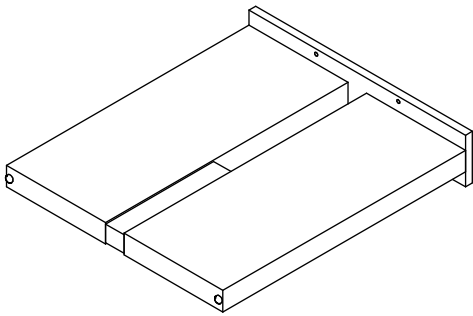


# TH-6546BBH/L, TH-6547BBH/L, TH-6548BBH/L

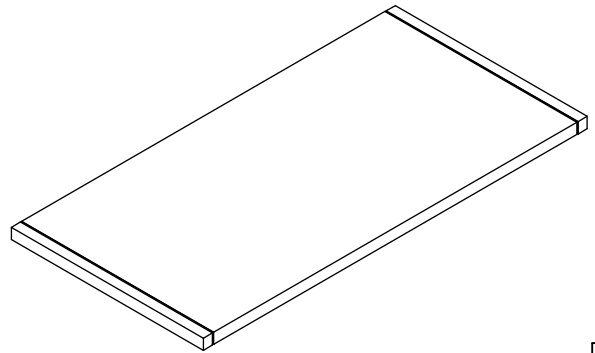


1



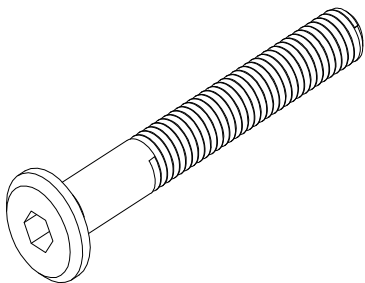
x2

2



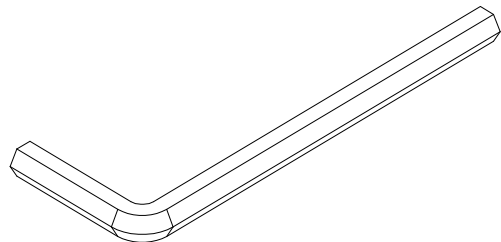
x1

3



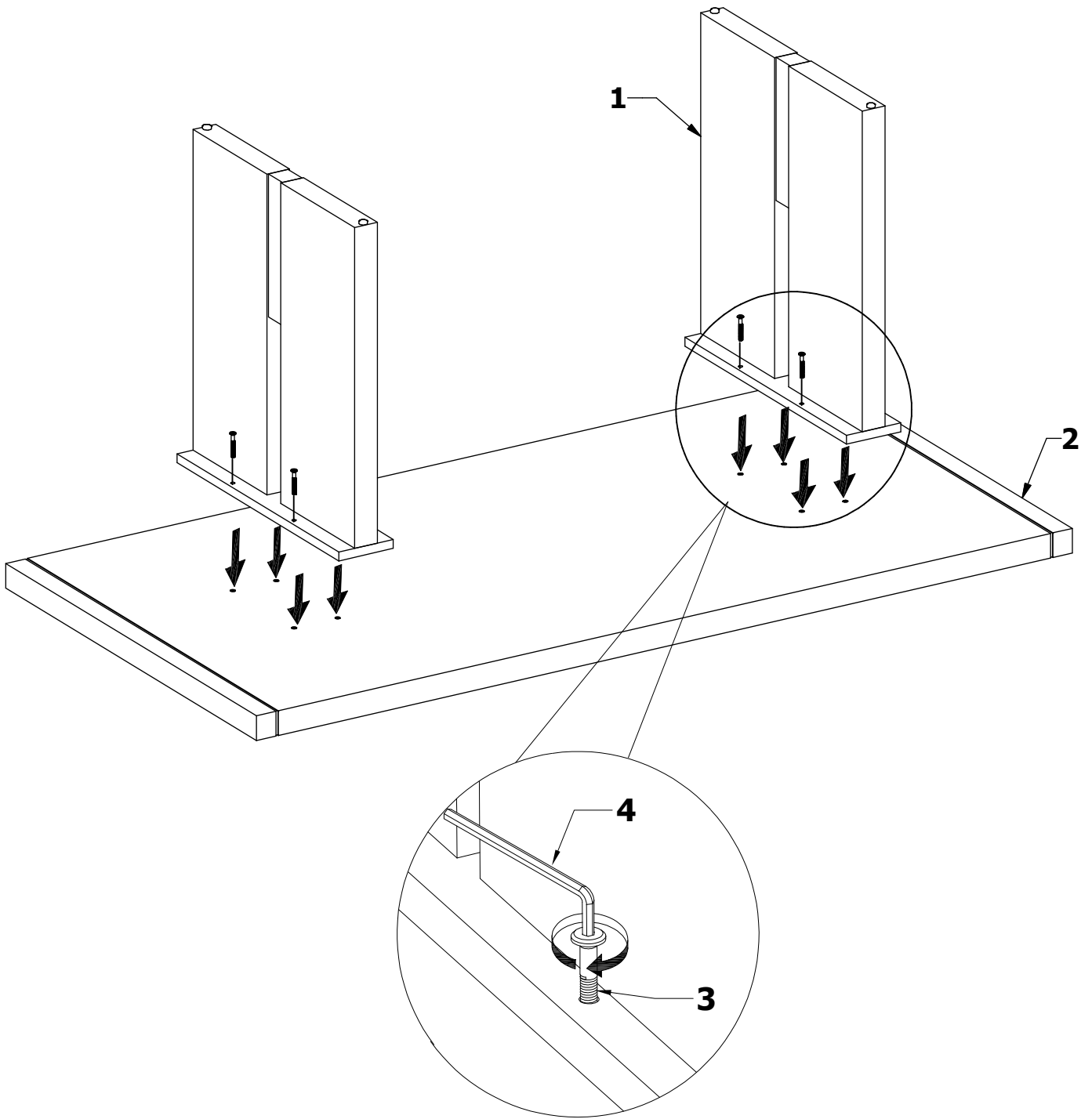
x8

4



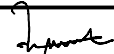
x1

# 1



# AI 0264-00

Date	Revision	Model Num.	Change Contents	Revision Control Num. (AI Rev-xxxx)	Revised By	Enforcement	Remarks
11.03.09	0	TH-6547BBH/L, TH-6548BBH/L	OFFICIAL ISSUE	--	CKCHAN	FIRST LOT	
10.06.09	1	TH-6546BBH/L	ADD NEW MODEL.	AI REV-0273	CKCHAN	RUNNING CHANGE	

PIC Check : CKCHAN	Date: 10.06.2009
Prepared by : CKCHAN	Date: 10.06.2009
Approved by : 	Date: 15.06.2009