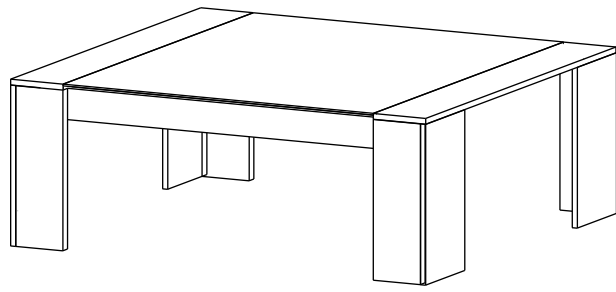
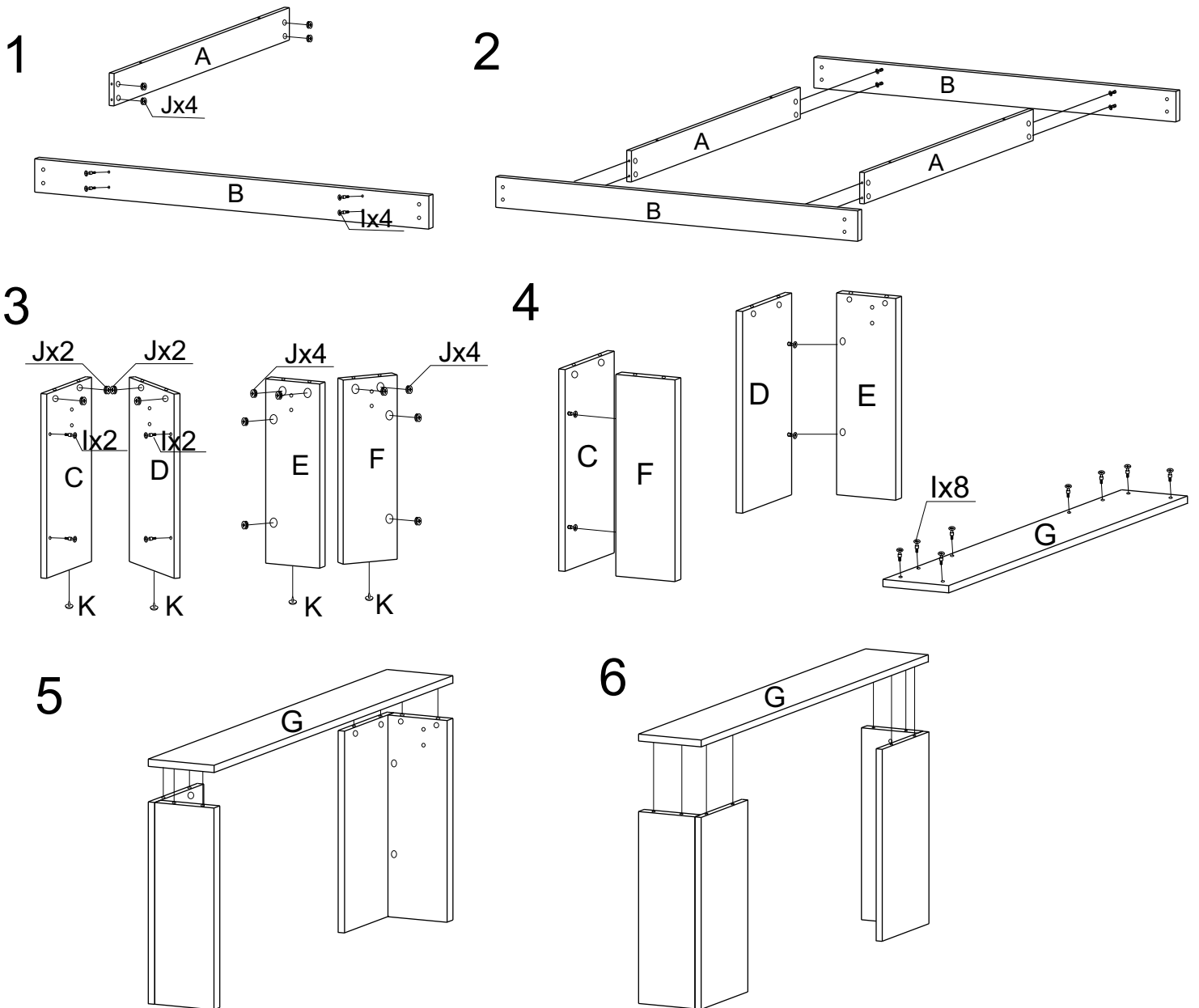


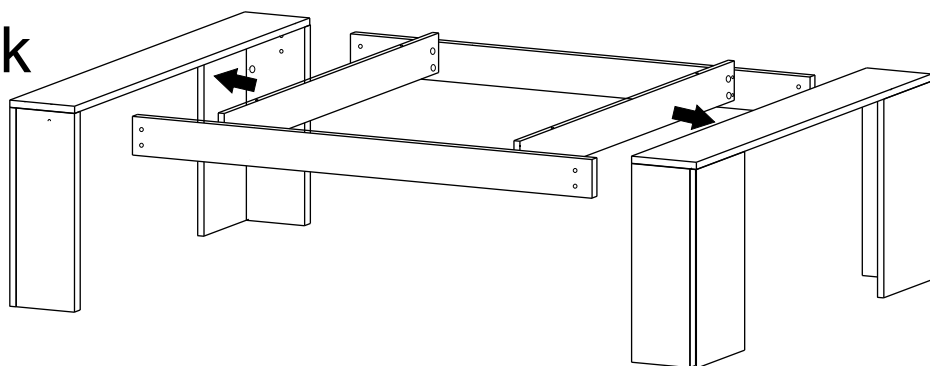
RAYMOND



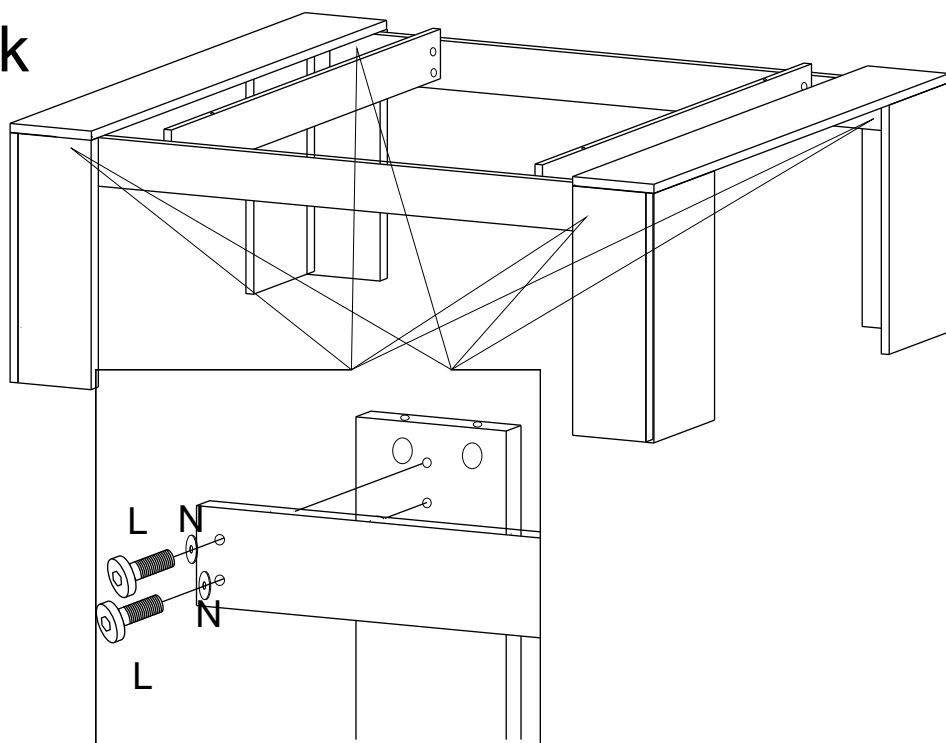
Ax2 	Bx2 	Cx2 	Dx2 	Ex2
Fx2 	Gx2 	Hx1 	Ix32 	Jx32
Kx8 	Lx8 6x25mm	Mx4 	Nx8 	Ox1



7 Krok



8 Krok



9 Krok

