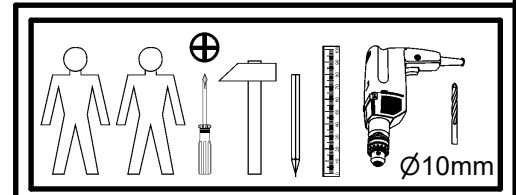
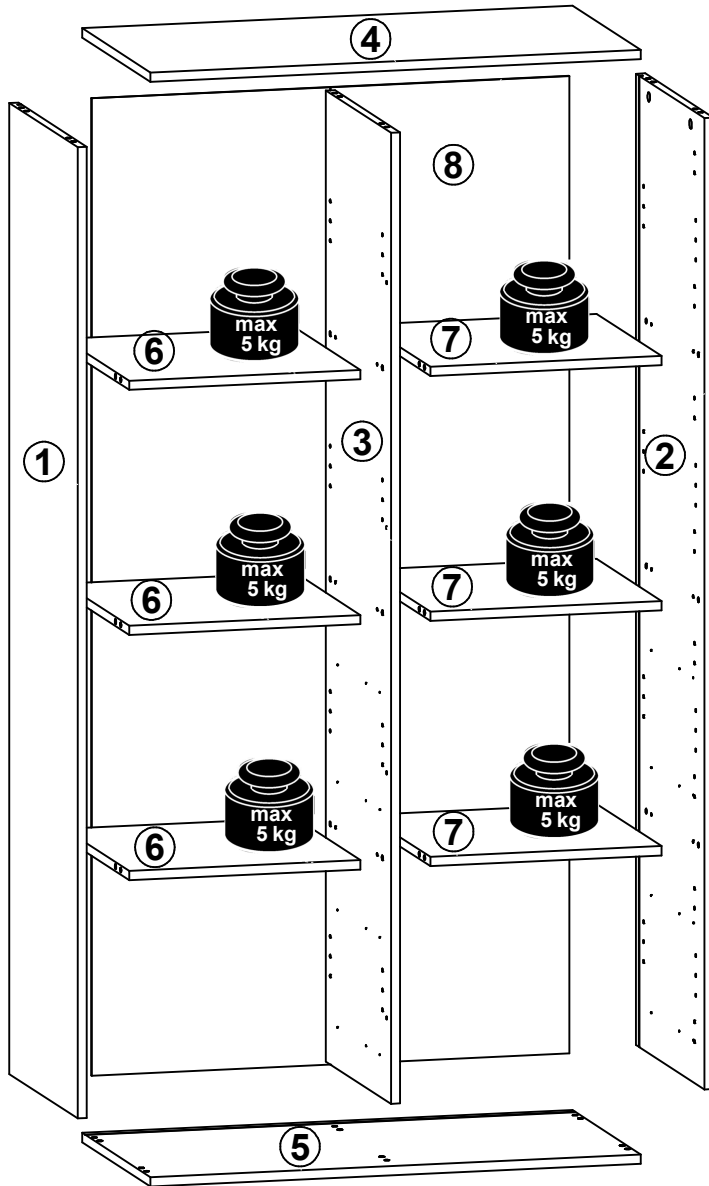
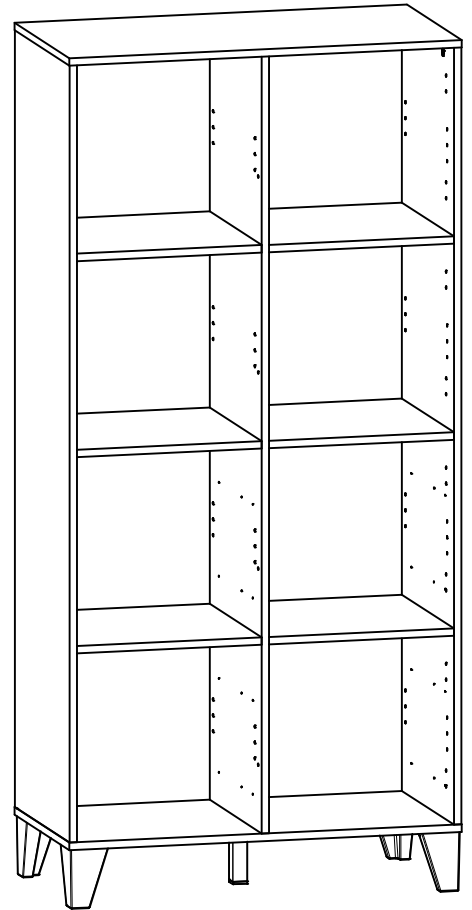


**A**

# STANFORD

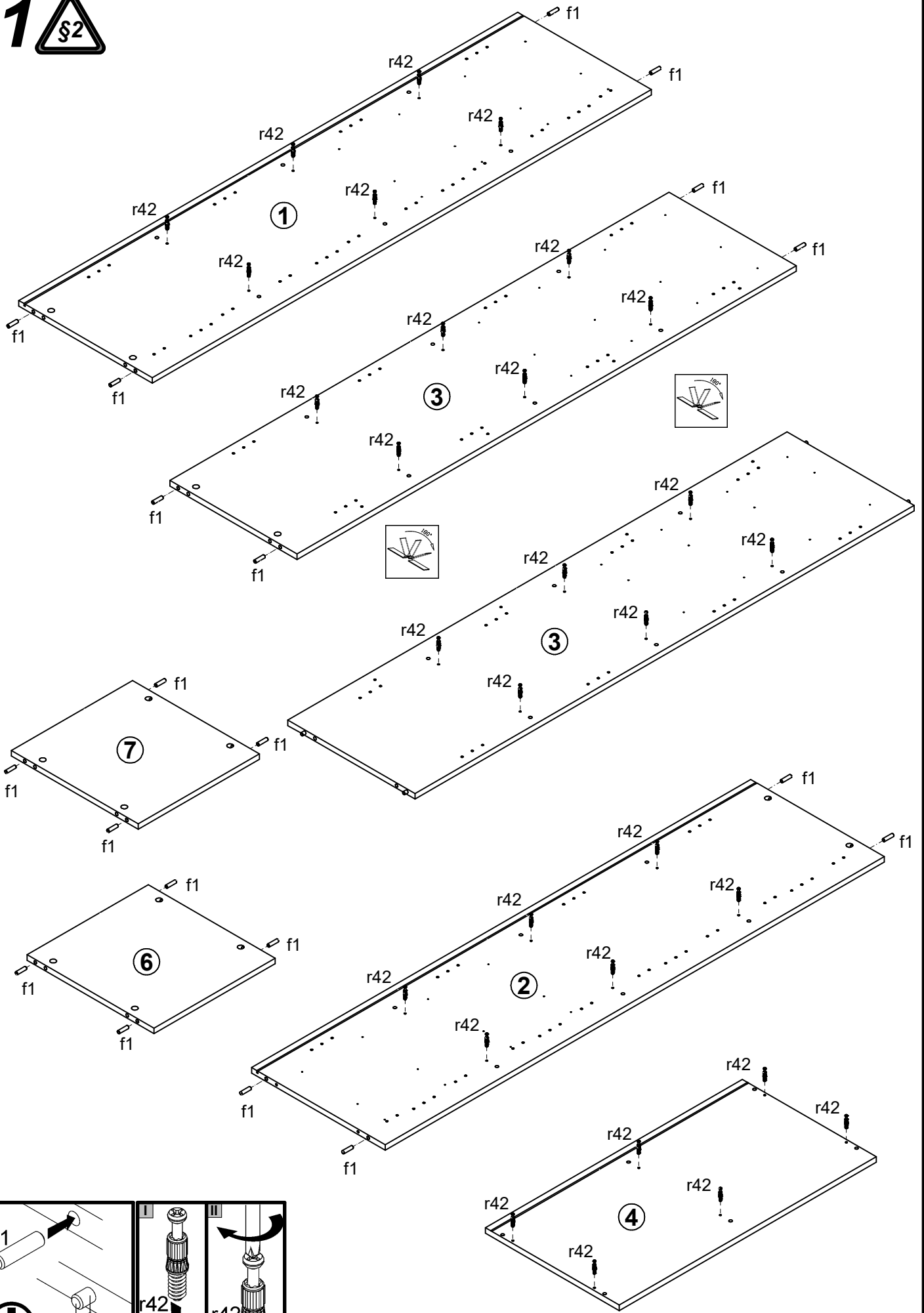
**S411-REG/18/8**

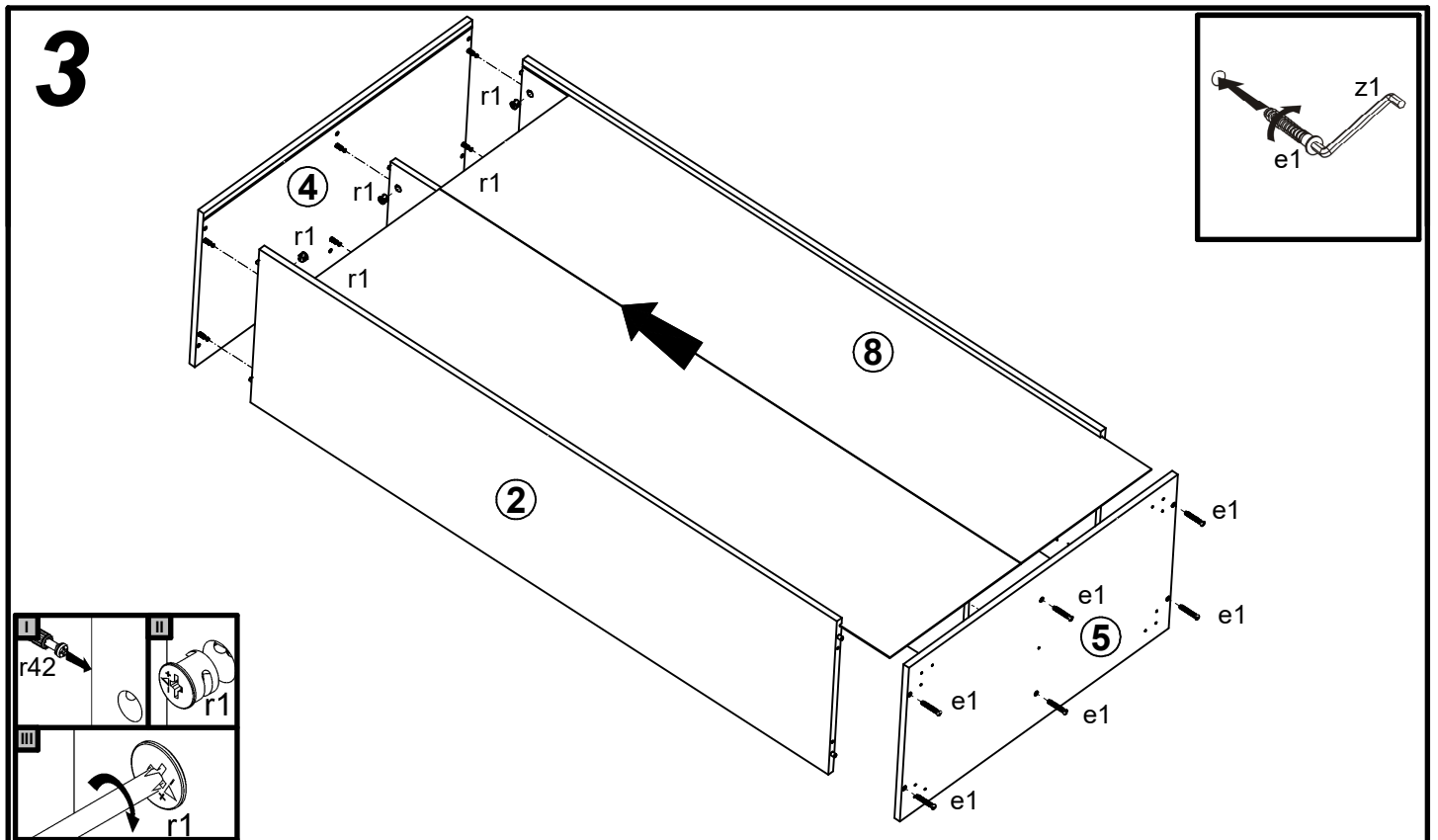
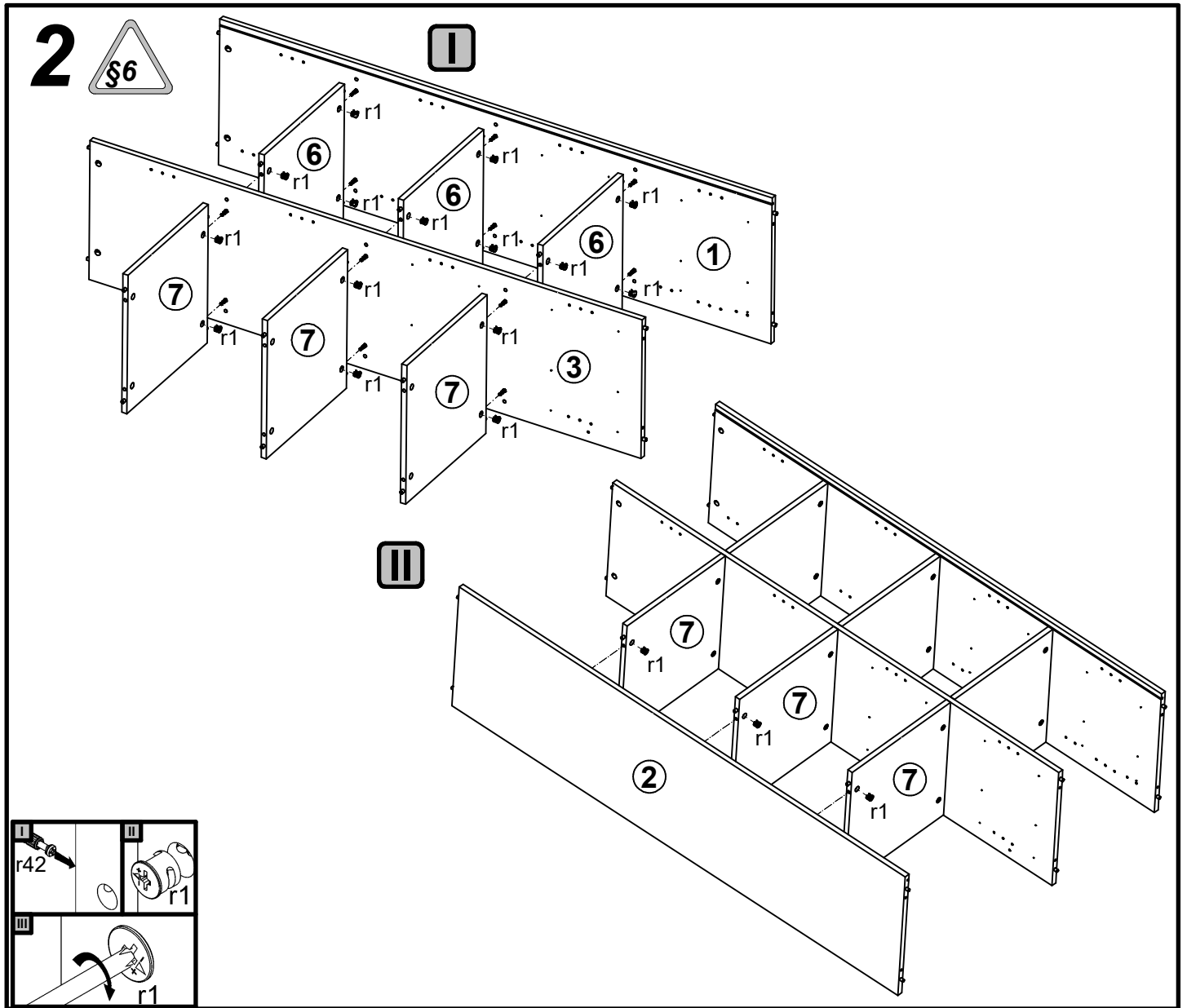
A	B	C	D	
1	S411-1001	1565	419	1/3
2	S411-1002	1565	419	1/3
3	S411-1003	1565	399	1/3
4	S411-2001	806	420	2/3
5	S411-2002	806	420	2/3
6	S411-3001	380	398	2/3
7	S411-3002	380	398	2/3
8	S411-9301	1575	785	1/3



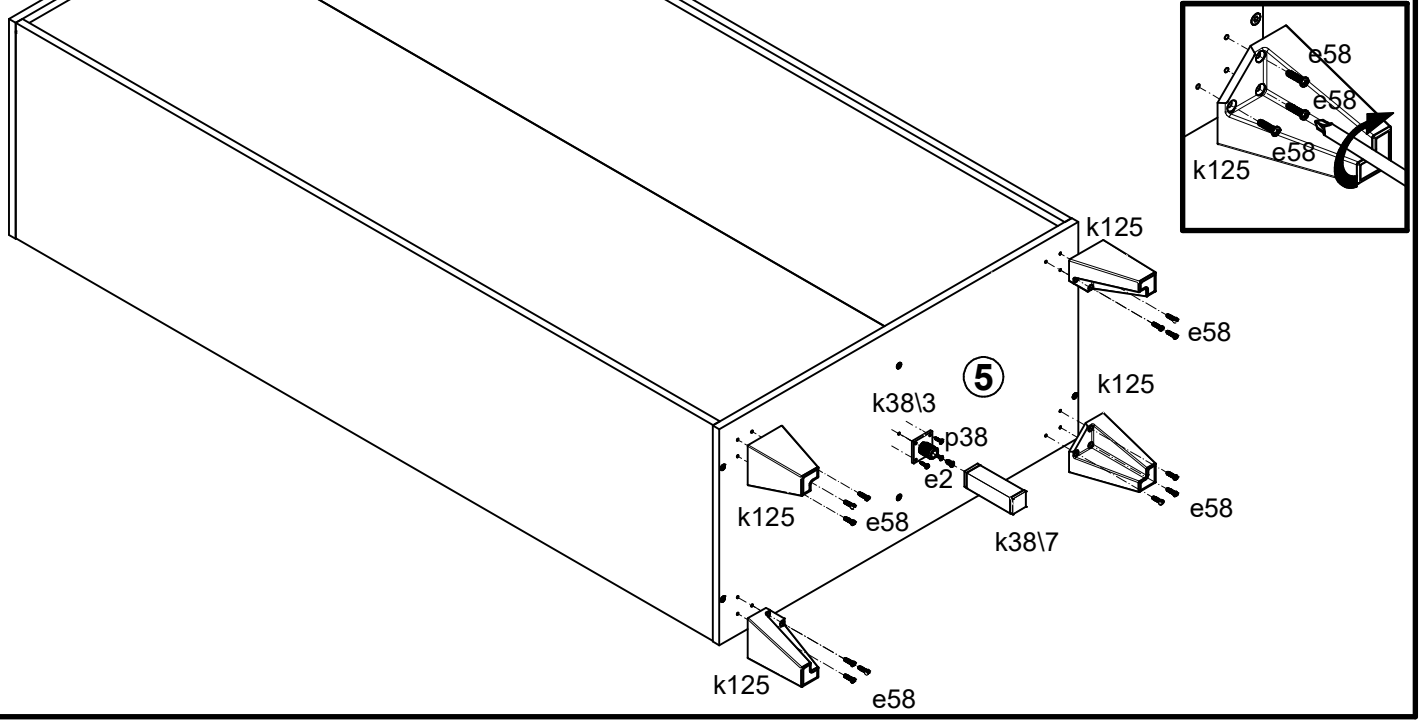
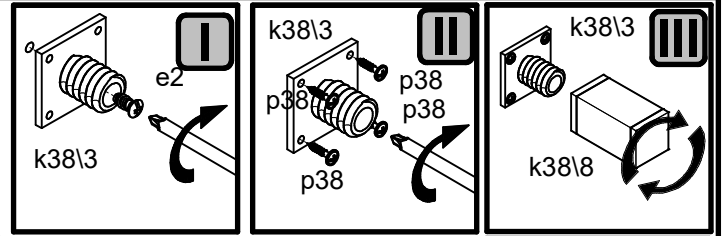
6x Ø7x50 mm e1	1x Ø6.3x13 mm e2	12x Ø5x18 mm e58	36x Ø8x30 mm f1	4x k125	1x 42.5x42.5x4 mm k38/3	1x 30x30x100 mm k38/7	25x 1.4x20 mm l1	12x l2
4x Ø3.5x16 mm p38	30x Ø15x12 mm #16 r1	30x 20/11 r42	14x Ø16 s2	1x 4 mm z1				
							1x n26/1	1x Ø3.5x16 mm p38

1 





# 4



# 5

