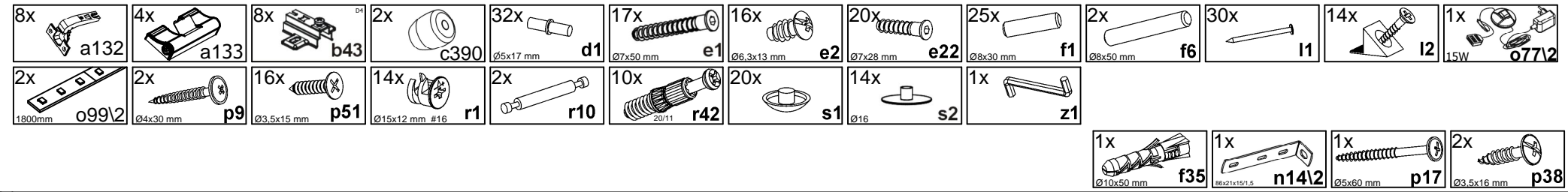
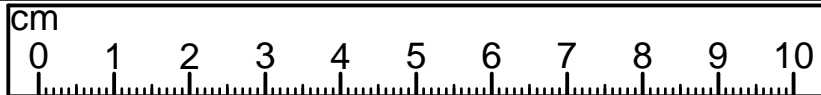
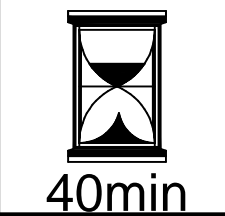
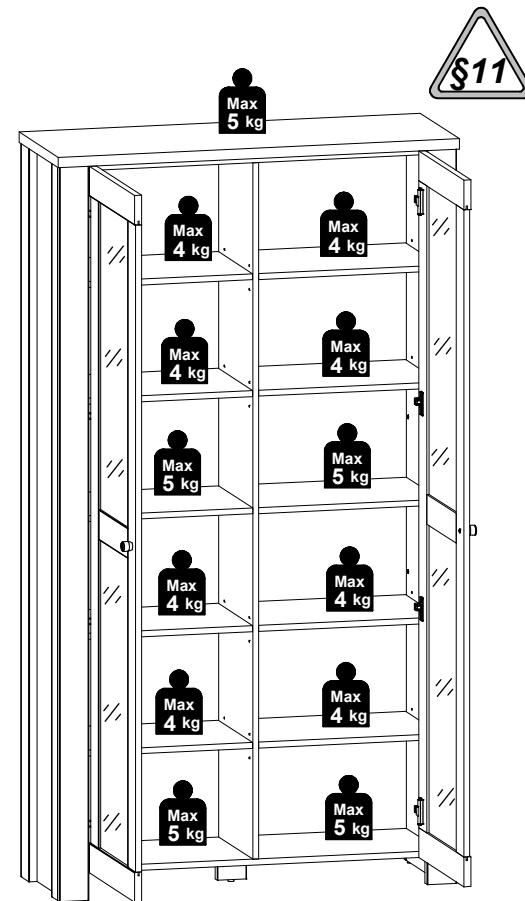
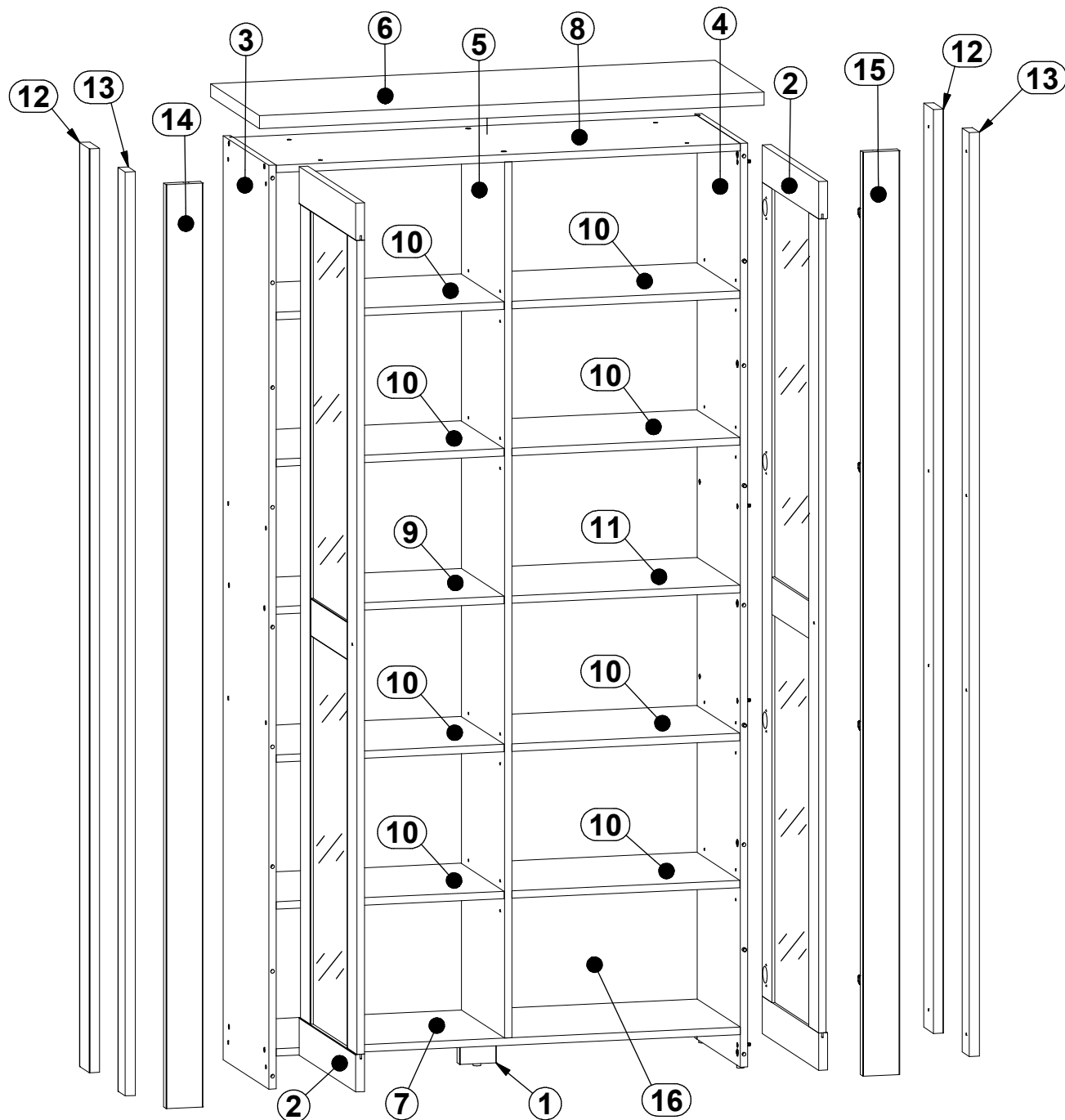
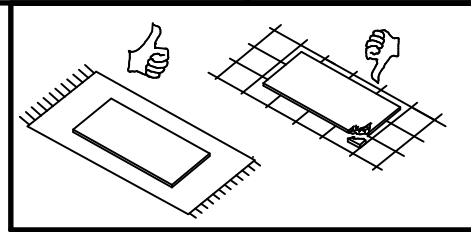
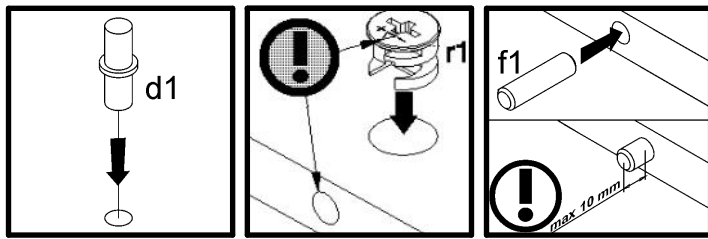





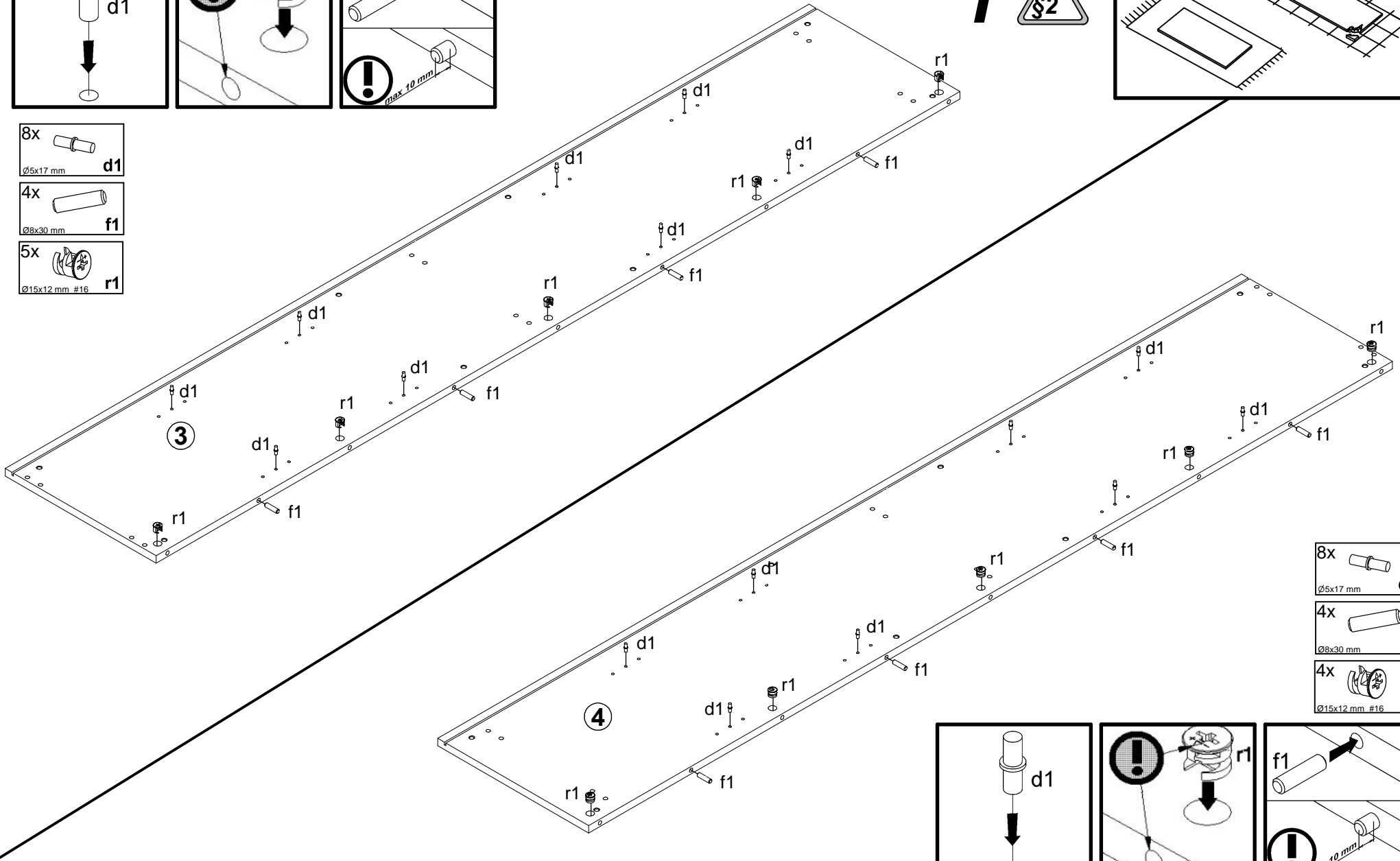
A	B	C (mm)		D
1	S214-5505	70	80	1/3
2	S256-029	1900	460	3/3
3	S256-172	1975	371	2/3
4	S256-173	1975	371	2/3
5	S256-174	1872,5	351	3/3
6	S256-222	1100	400	1/3
7	S256-365	1012	351	1/3
8	S256-366	1012	351	1/3
9	S256-367	498	348	1/3
10	S256-368	497	351	1/3
11	S256-369	498	348	1/3
12	S256-5553	1975	80	2/3
13	S256-5554	1975	58	2/3
14	S256-5567	1975	80	2/3
15	S256-5568	1975	80	2/3
16	S256-9912	1902	1023	3/3



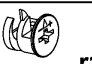


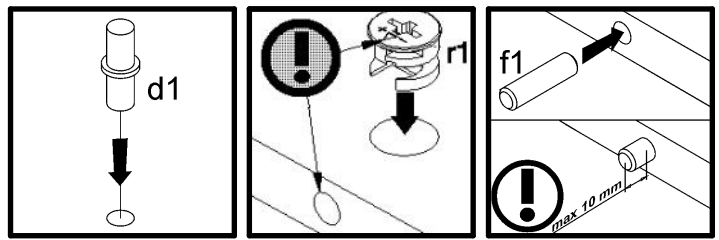


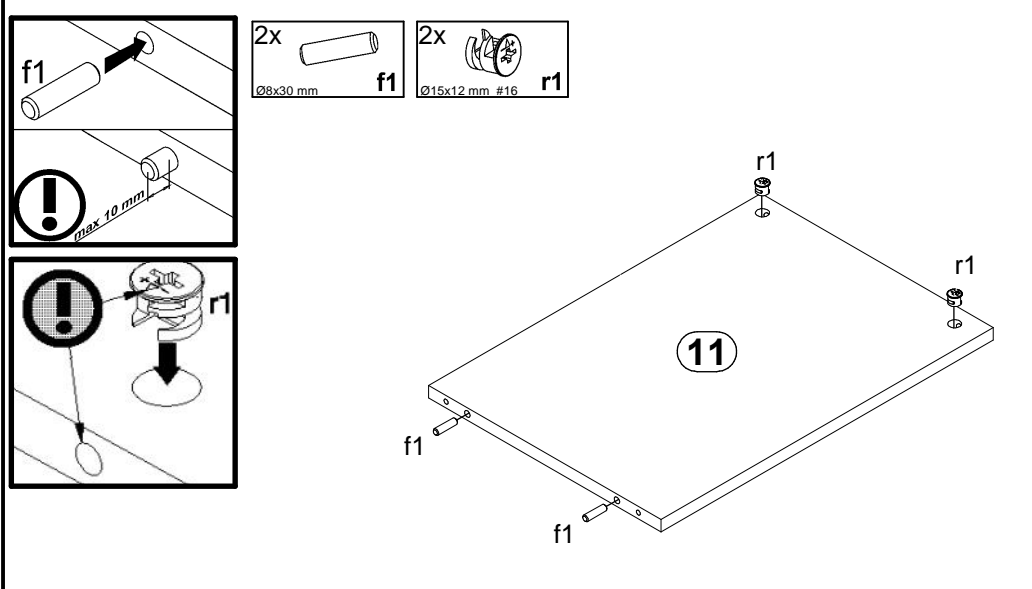
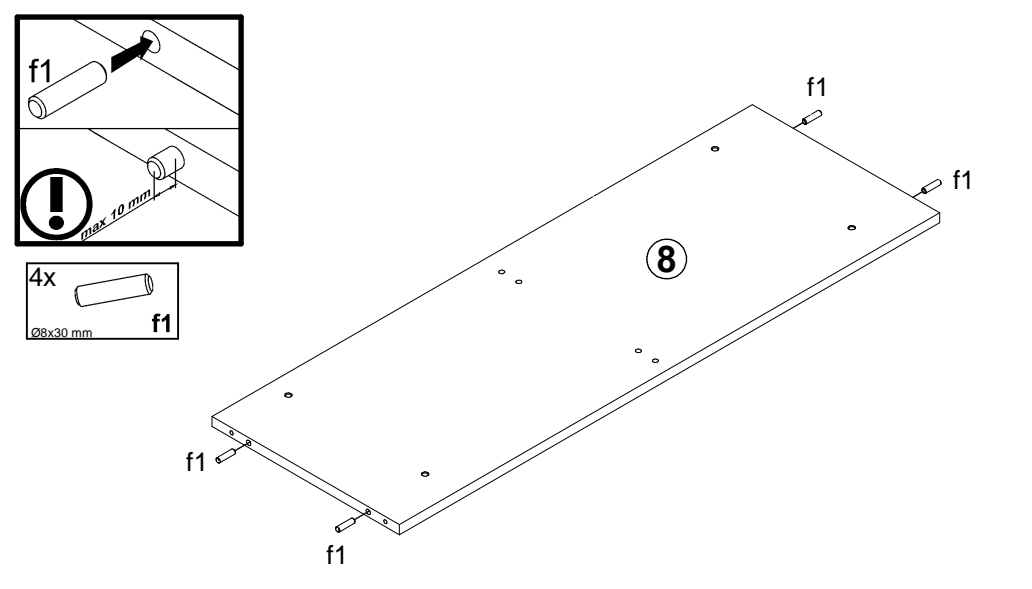
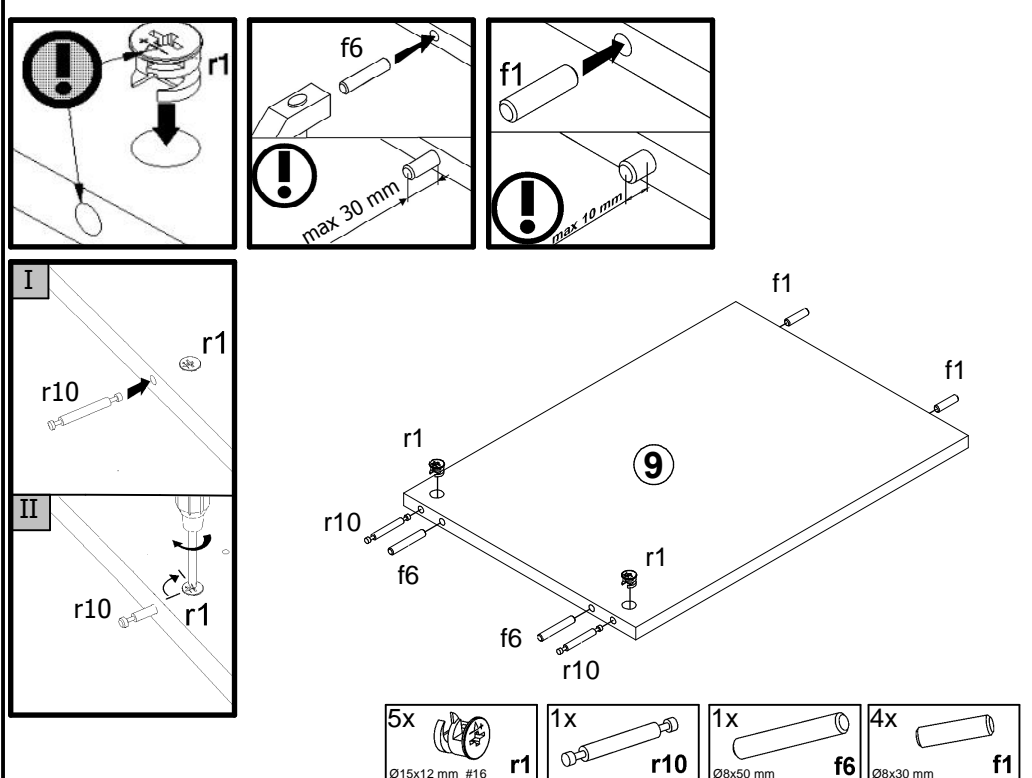
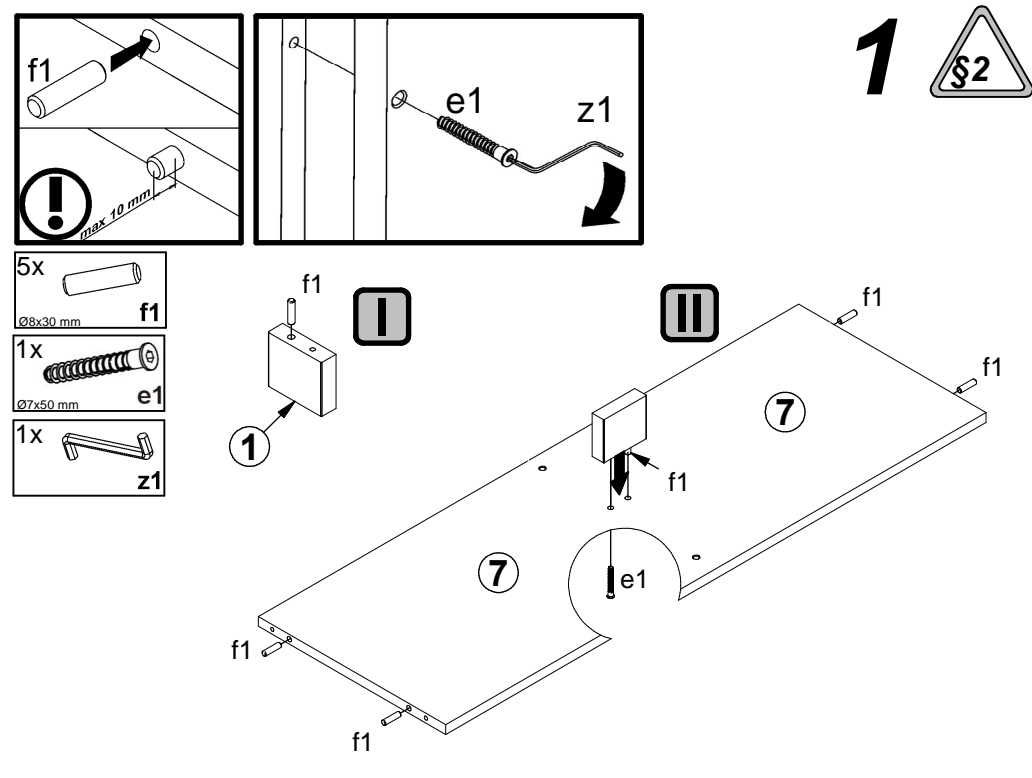


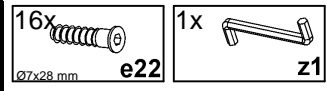
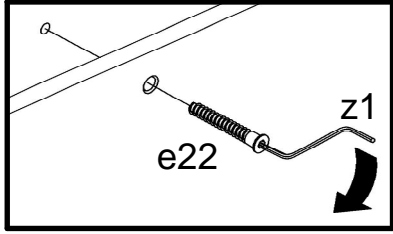
- 8x  **d1**
∅5x17 mm
- 4x  **f1**
∅8x30 mm
- 5x  **r1**
∅15x12 mm #16



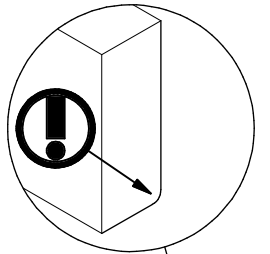
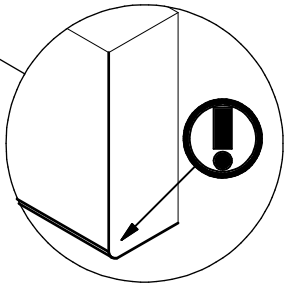
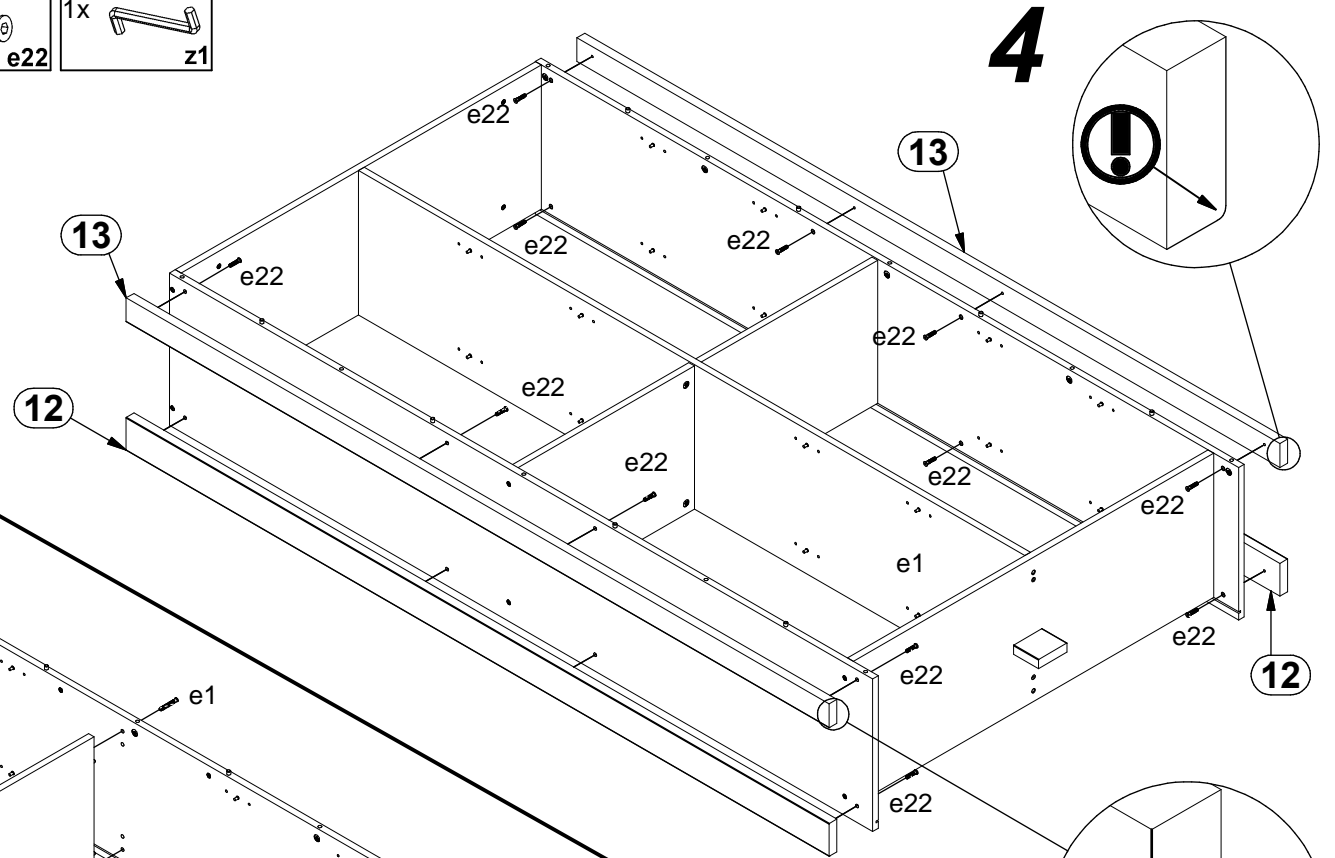
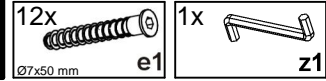
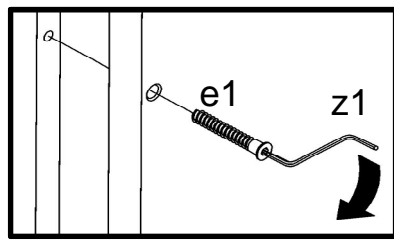
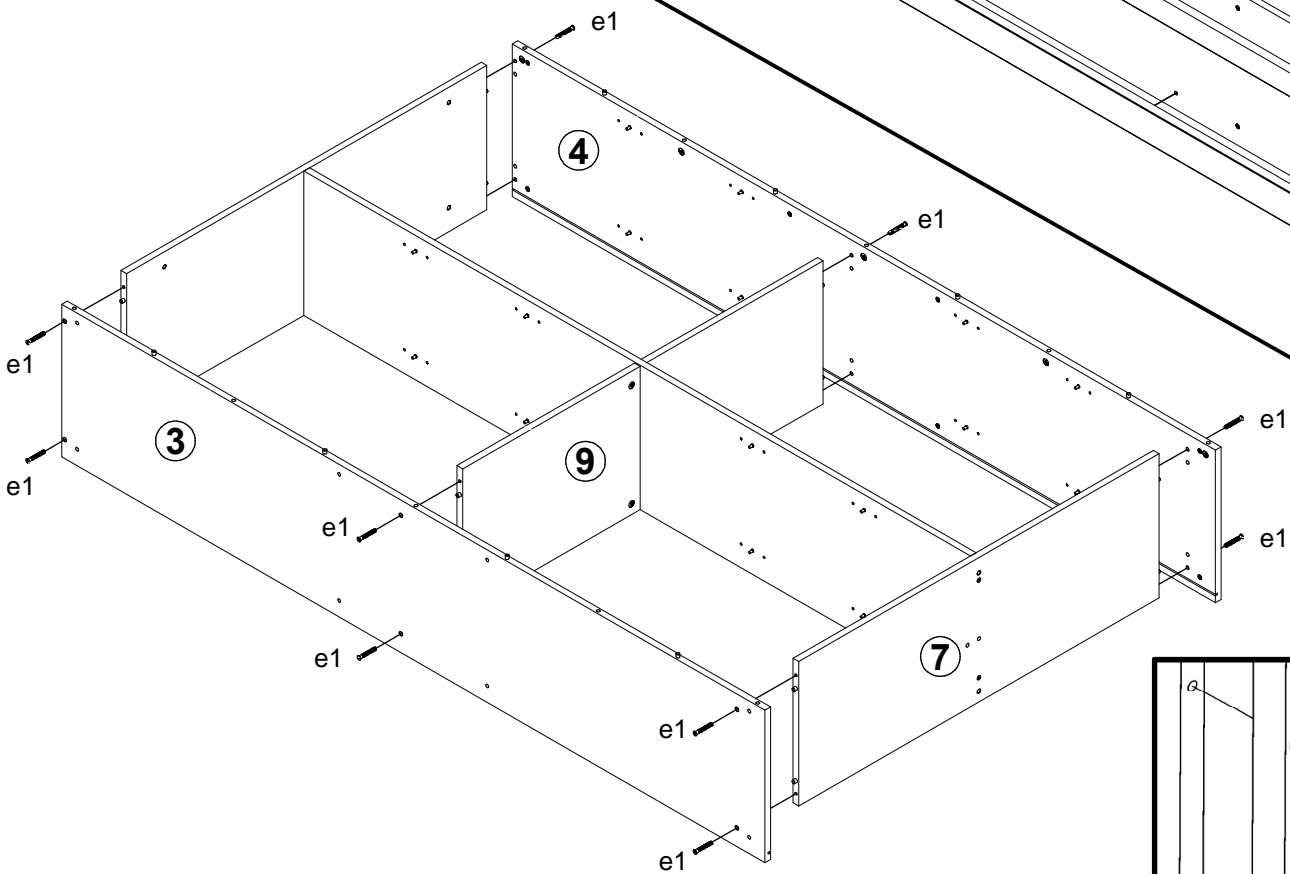
- 8x  **d1**
∅5x17 mm
- 4x  **f1**
∅8x30 mm
- 4x  **r1**
∅15x12 mm #16







3



4

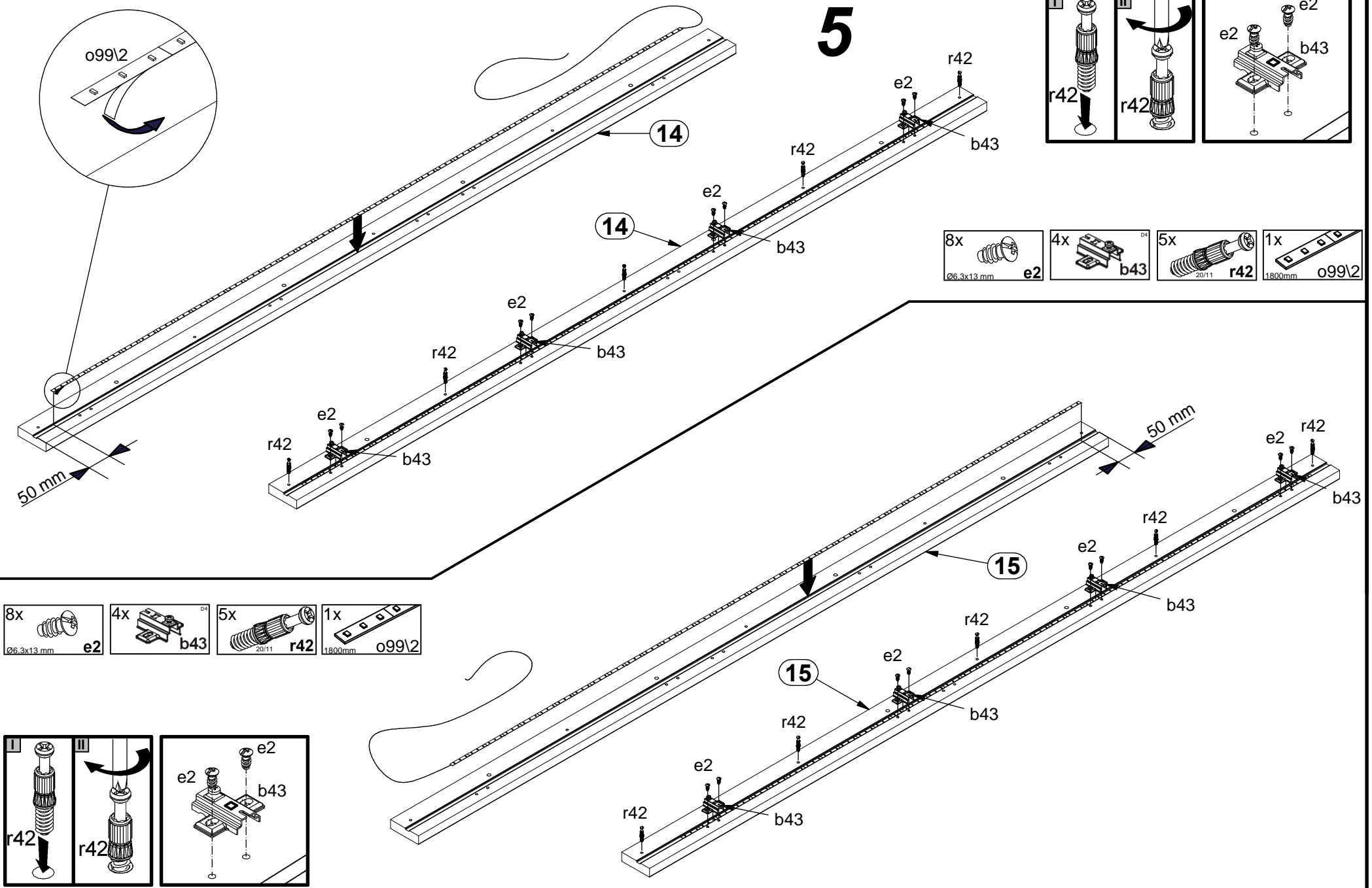
12

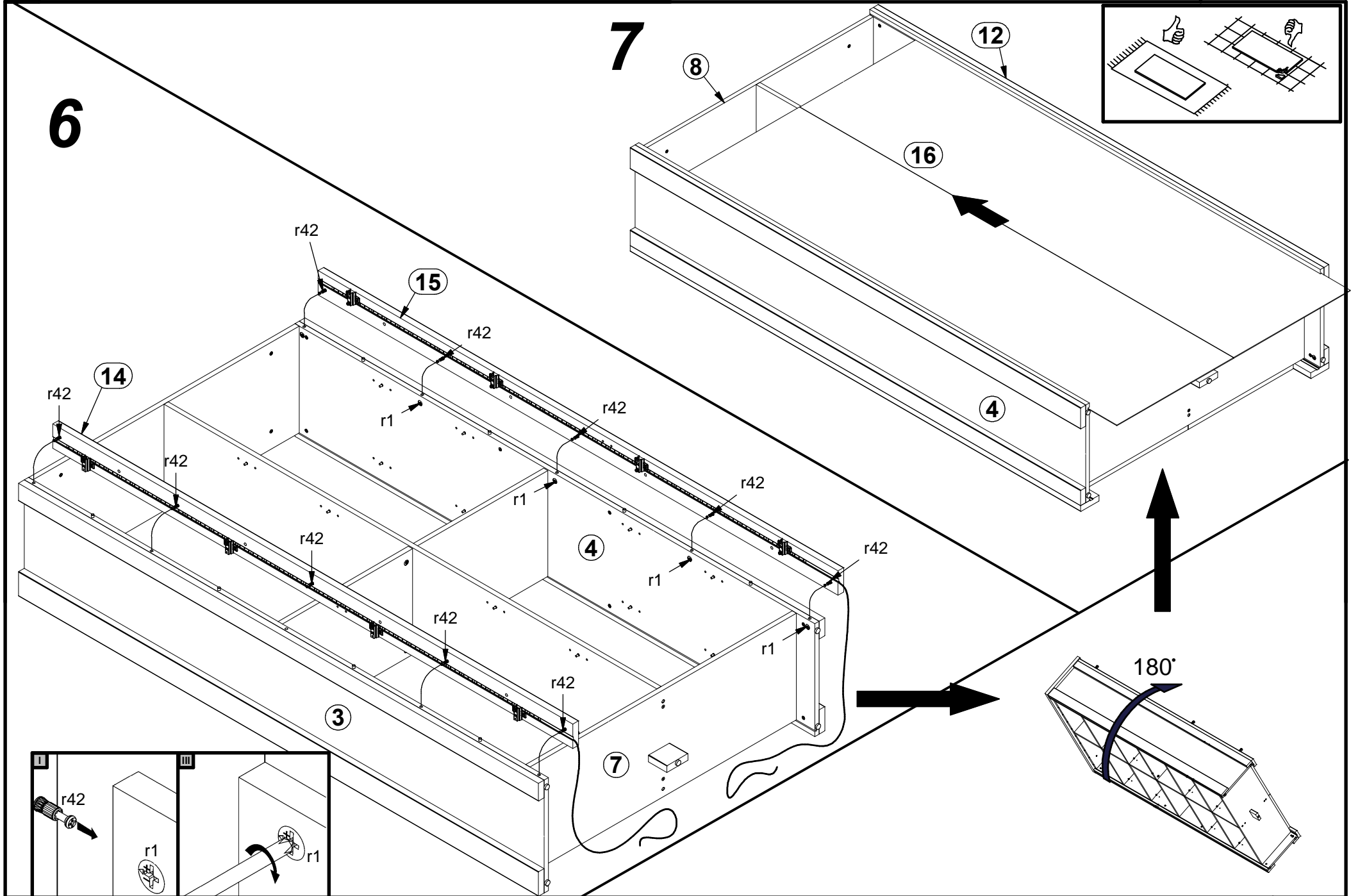
13

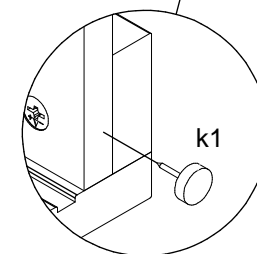
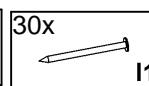
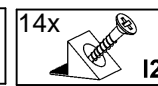
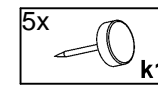
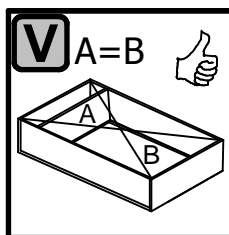
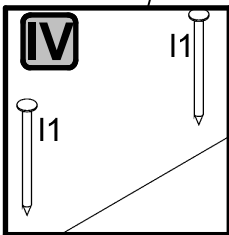
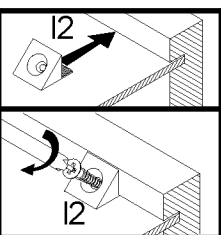
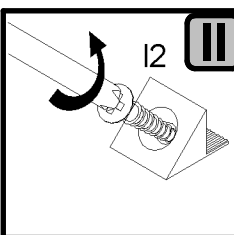
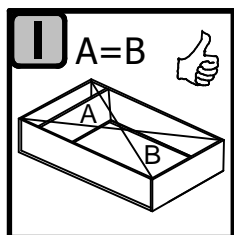
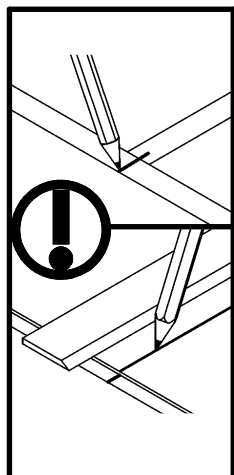
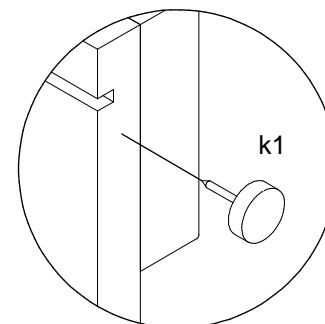
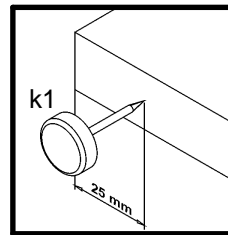
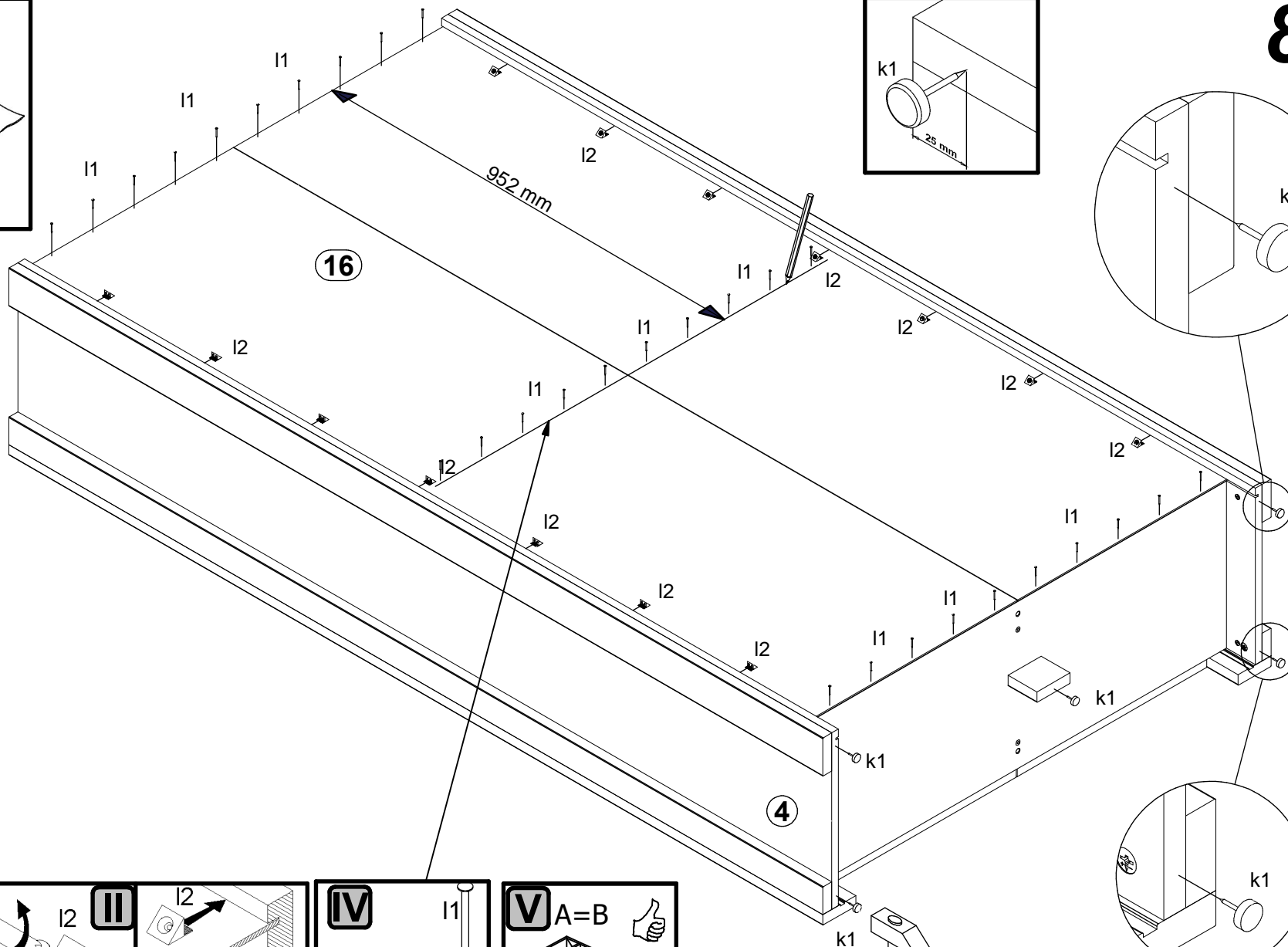
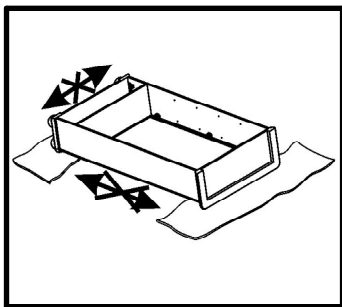
13

12

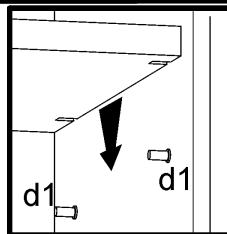
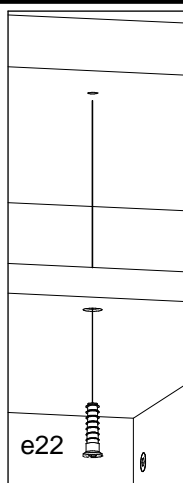
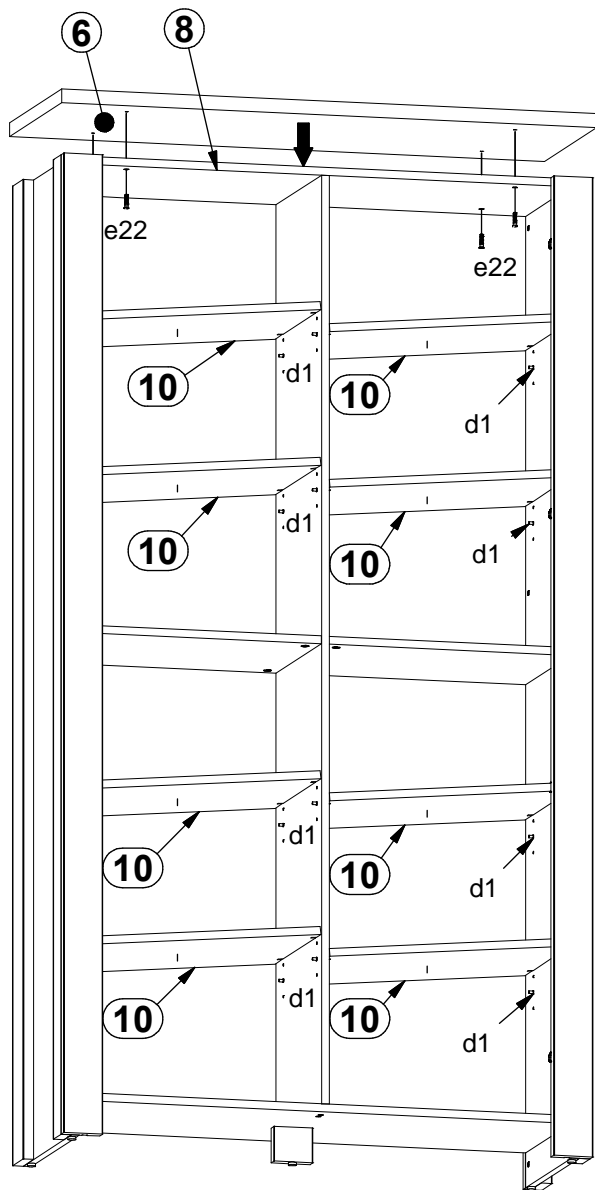
5

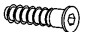




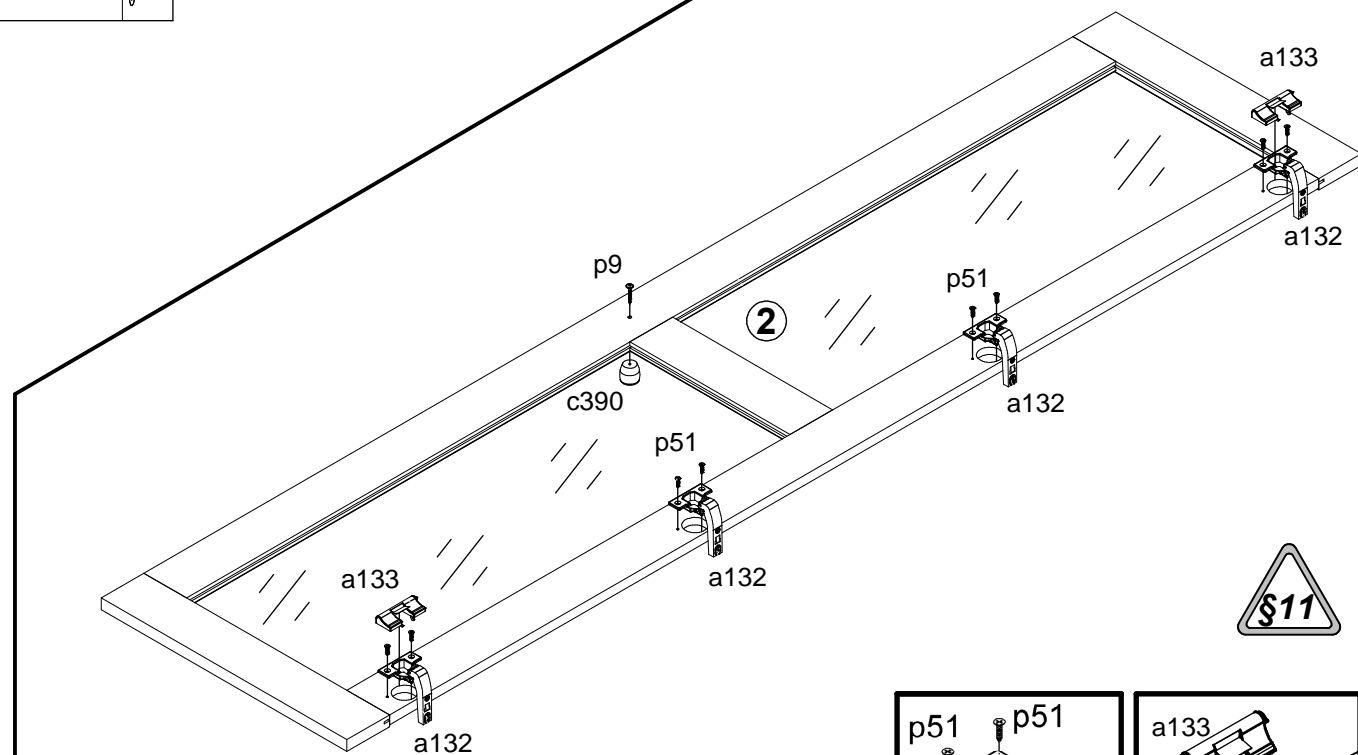



9




4x  e22
 Ø7x28 mm


10




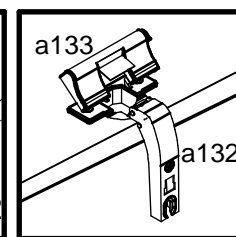
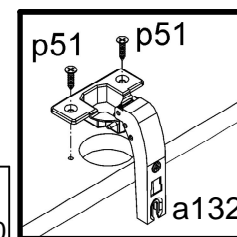
8x  p51
 Ø3.5x15 mm

4x  a132

2x  a133

1x  p9
 Ø4x30 mm

1x  c390



11

