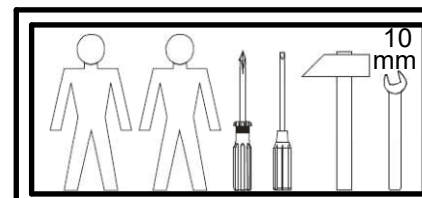
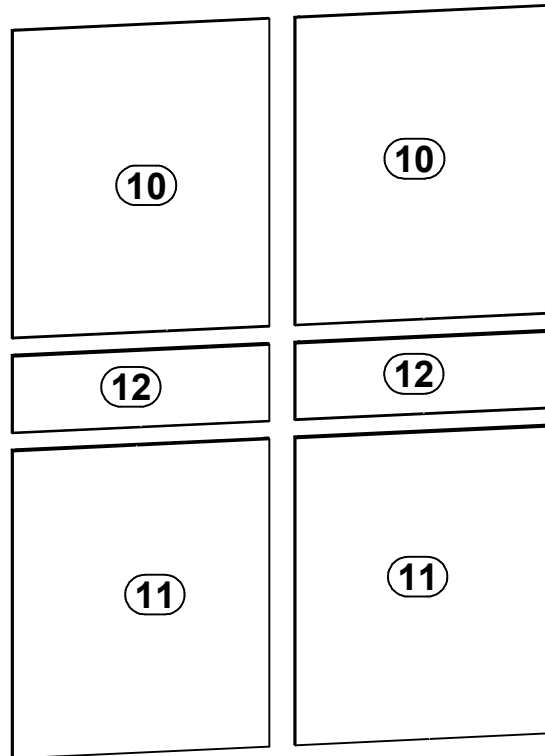
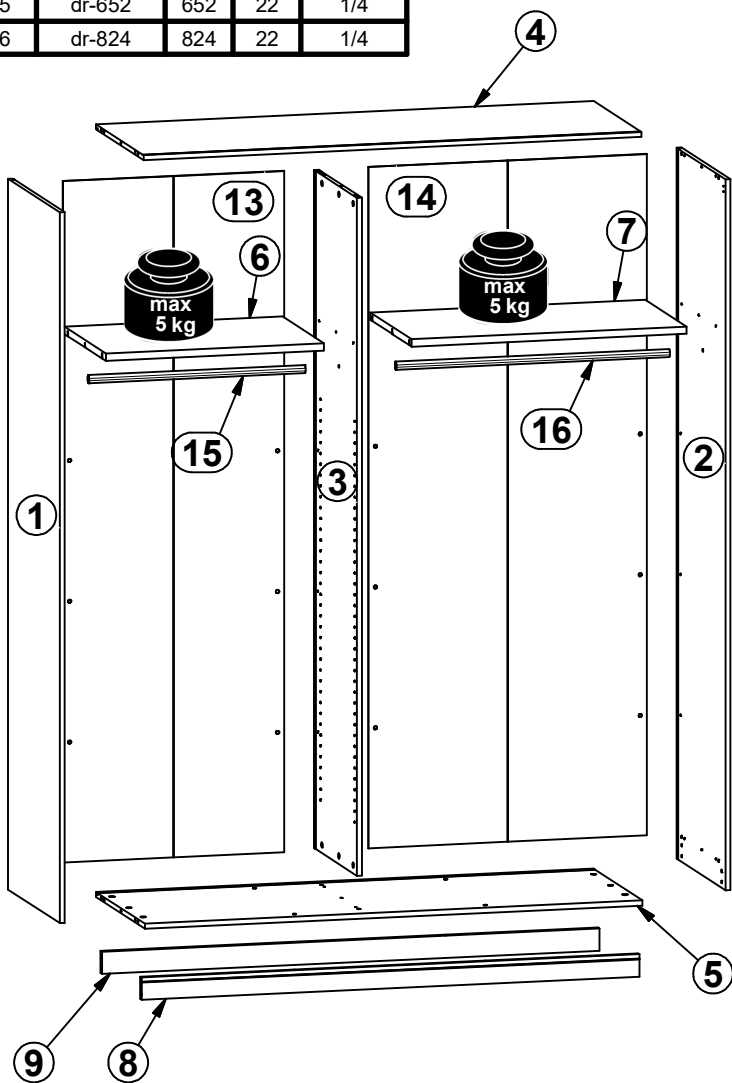
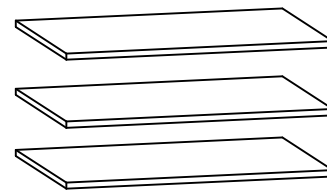
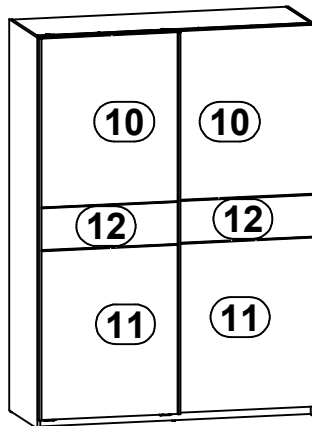
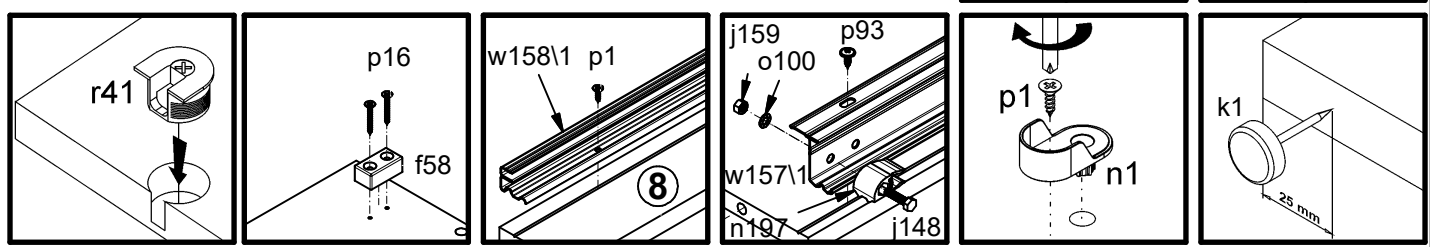
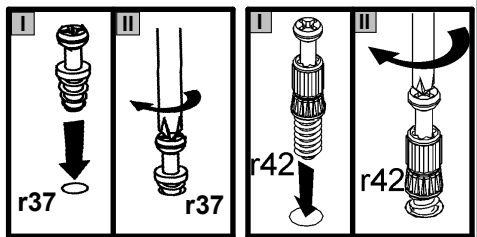
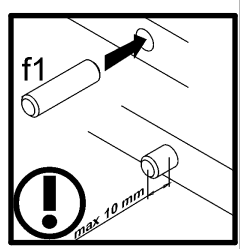
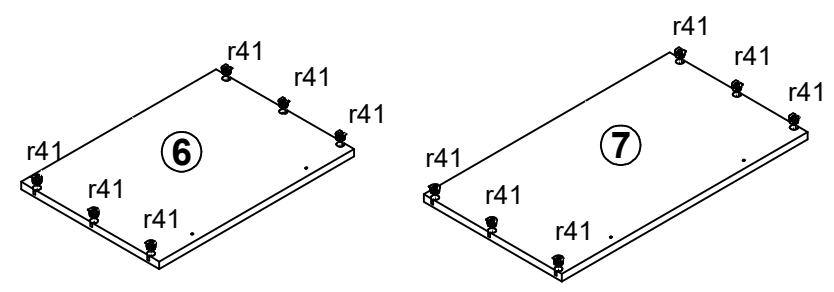
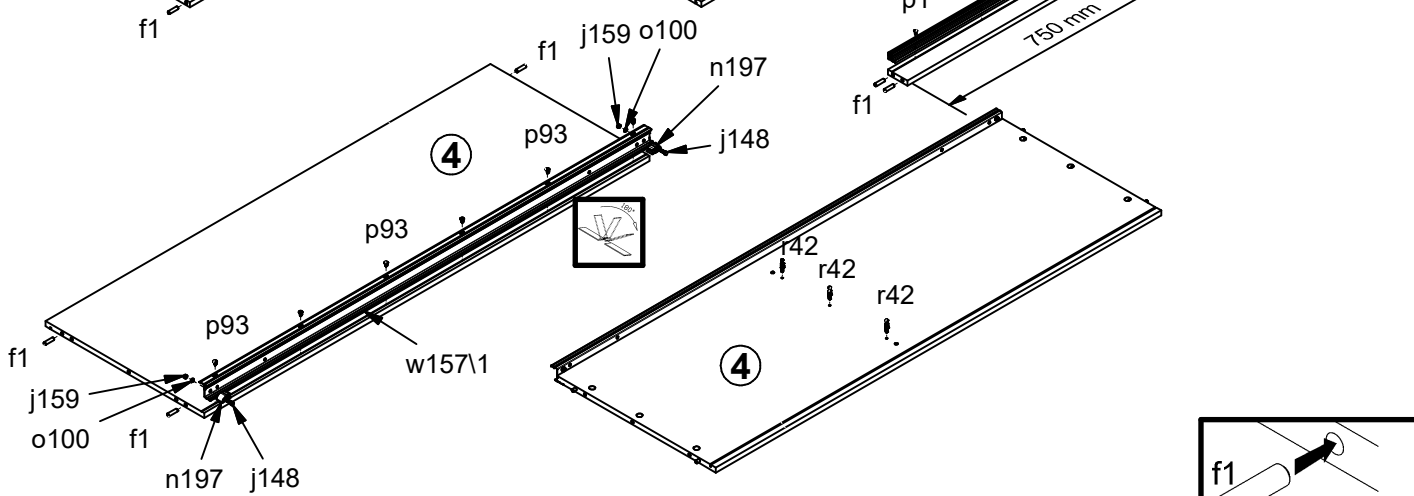
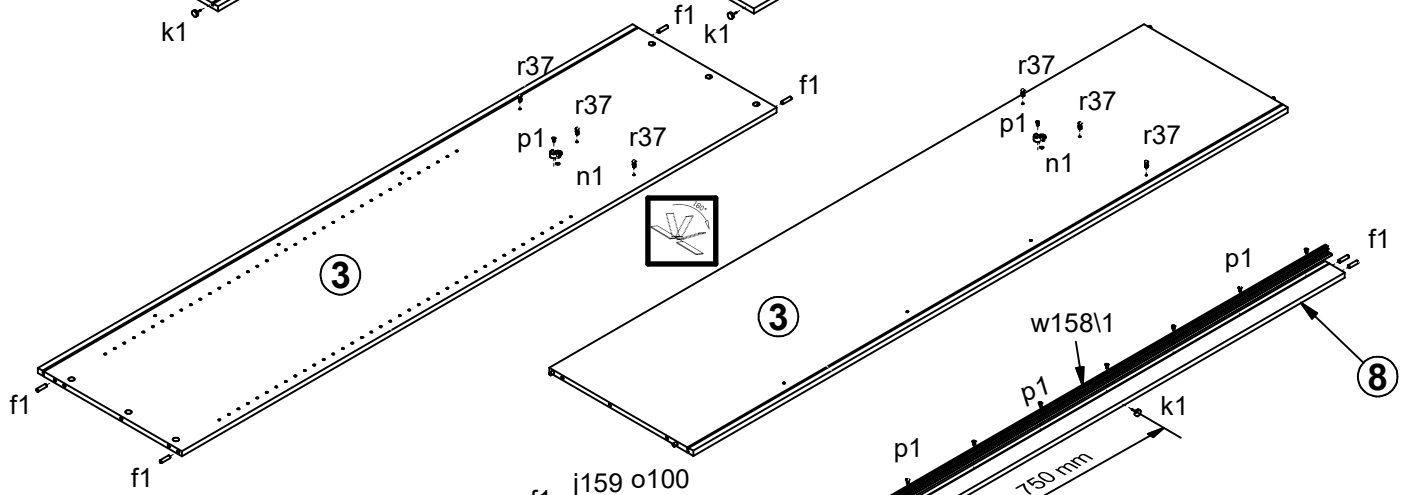
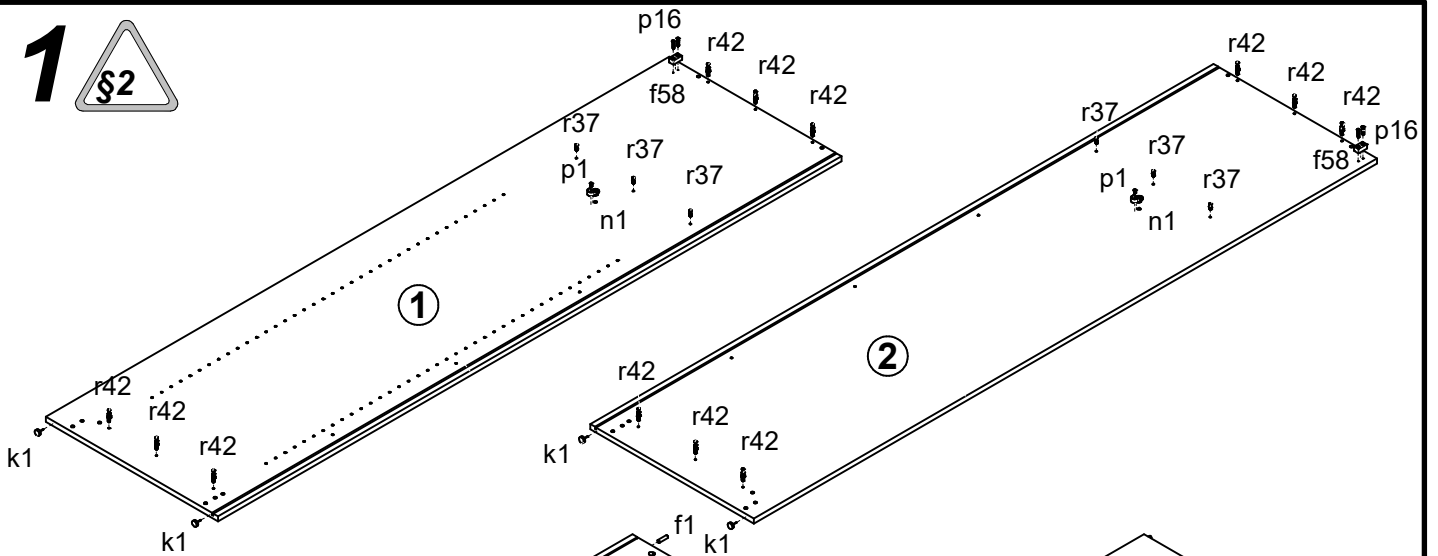


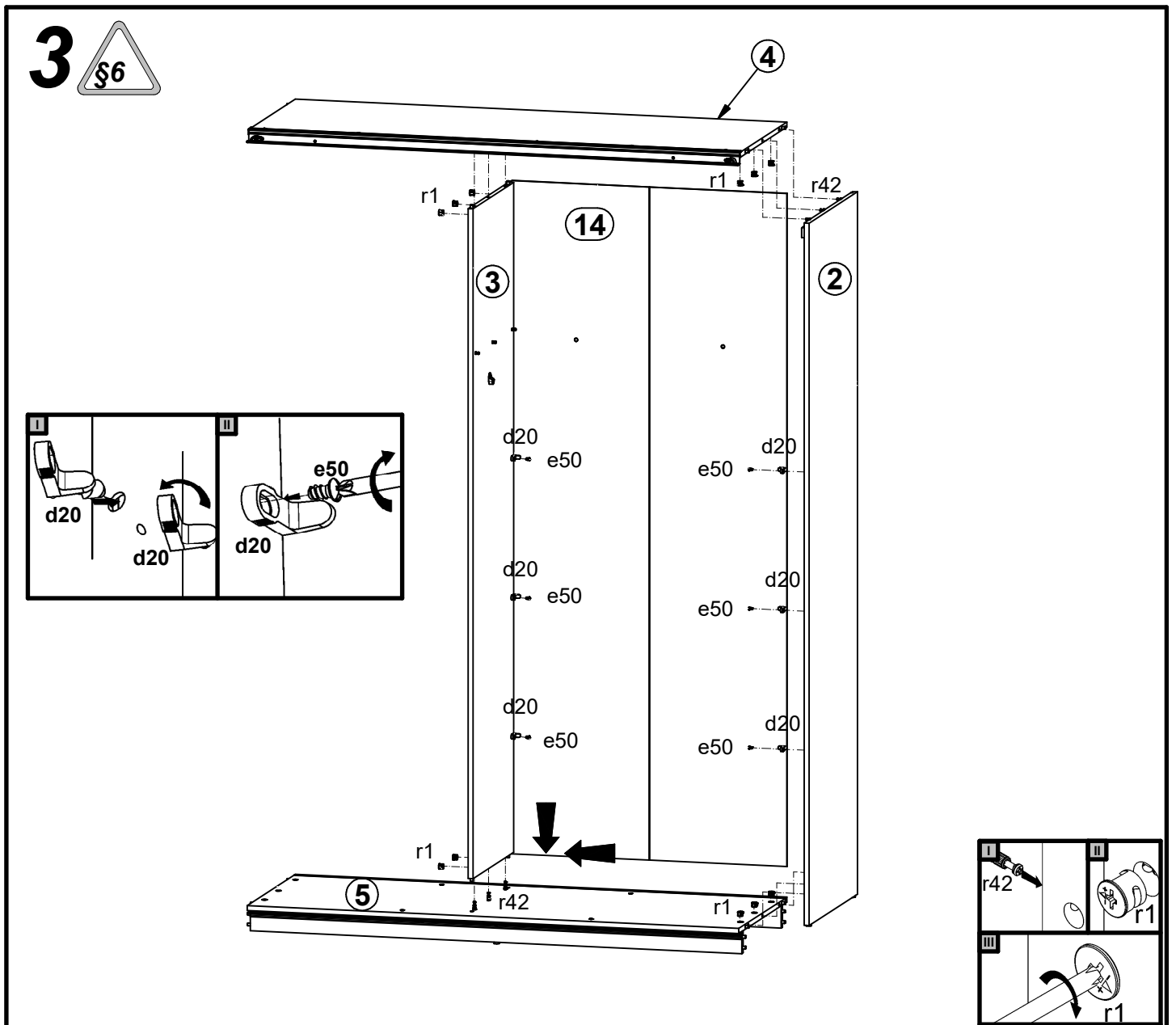
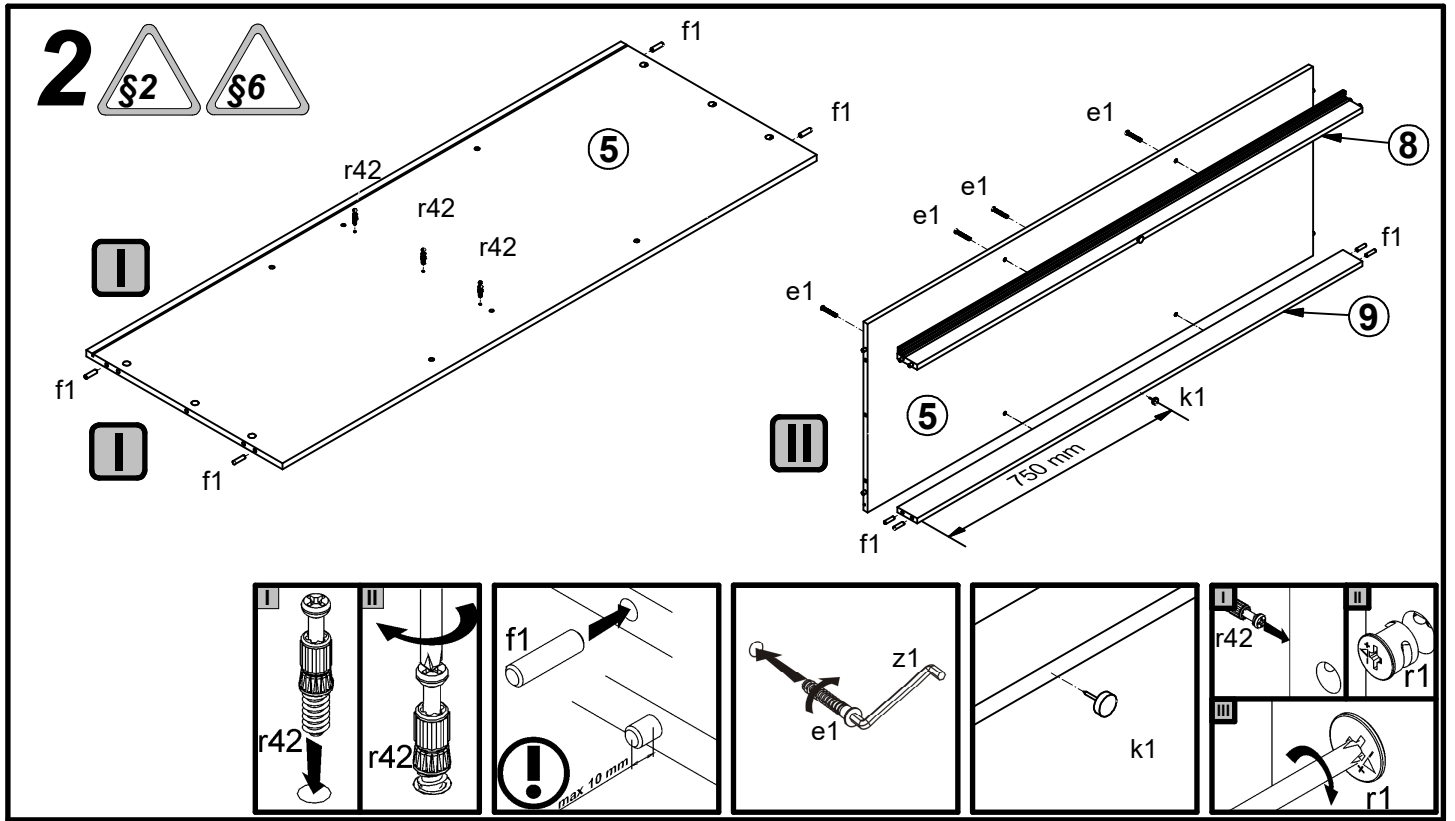
A	B	C	D	
1	L70-1003	2100	580	2/4
2	L70-1004	2100	551	2/4
3	L70-1005	2003	485	2/4
4	L70-3001	1500	535	1/4
5	L70-3002	1500	550	1/4
6	L70-3003	657	465	1/4
7	L70-3004	828	465	1/4
8	L70-4007	1500	66	1/4
9	L70-4008	1500	66	1/4
10	L70-7005	910	773	3/4
11	L70-7006	910	773	3/4
12	L70-7007	773	230	3/4
13	L70-9302	2013	667	2/4
14	L70-9303	2013	839	2/4
15	dr-652	652	22	1/4
16	dr-824	824	22	1/4

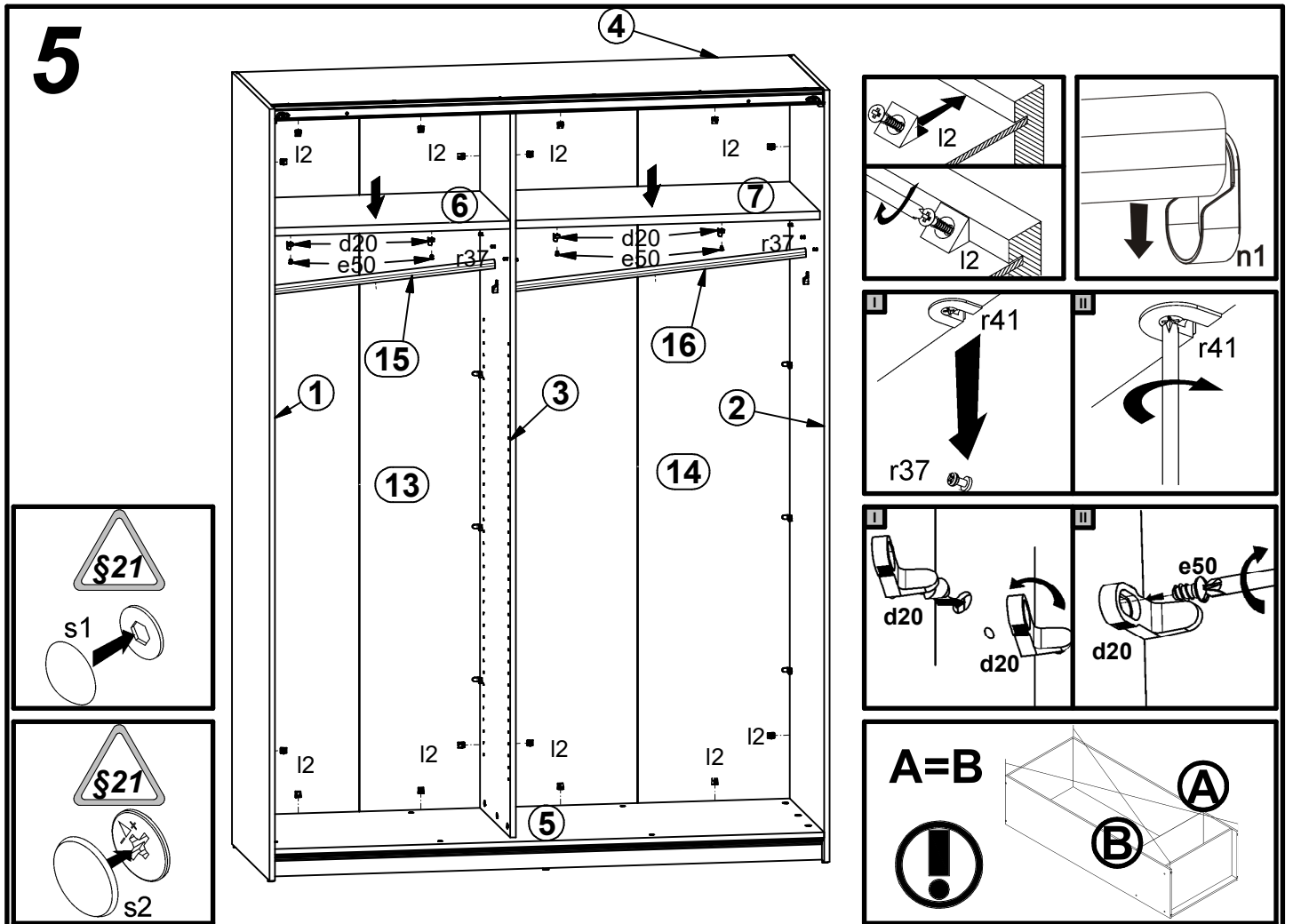
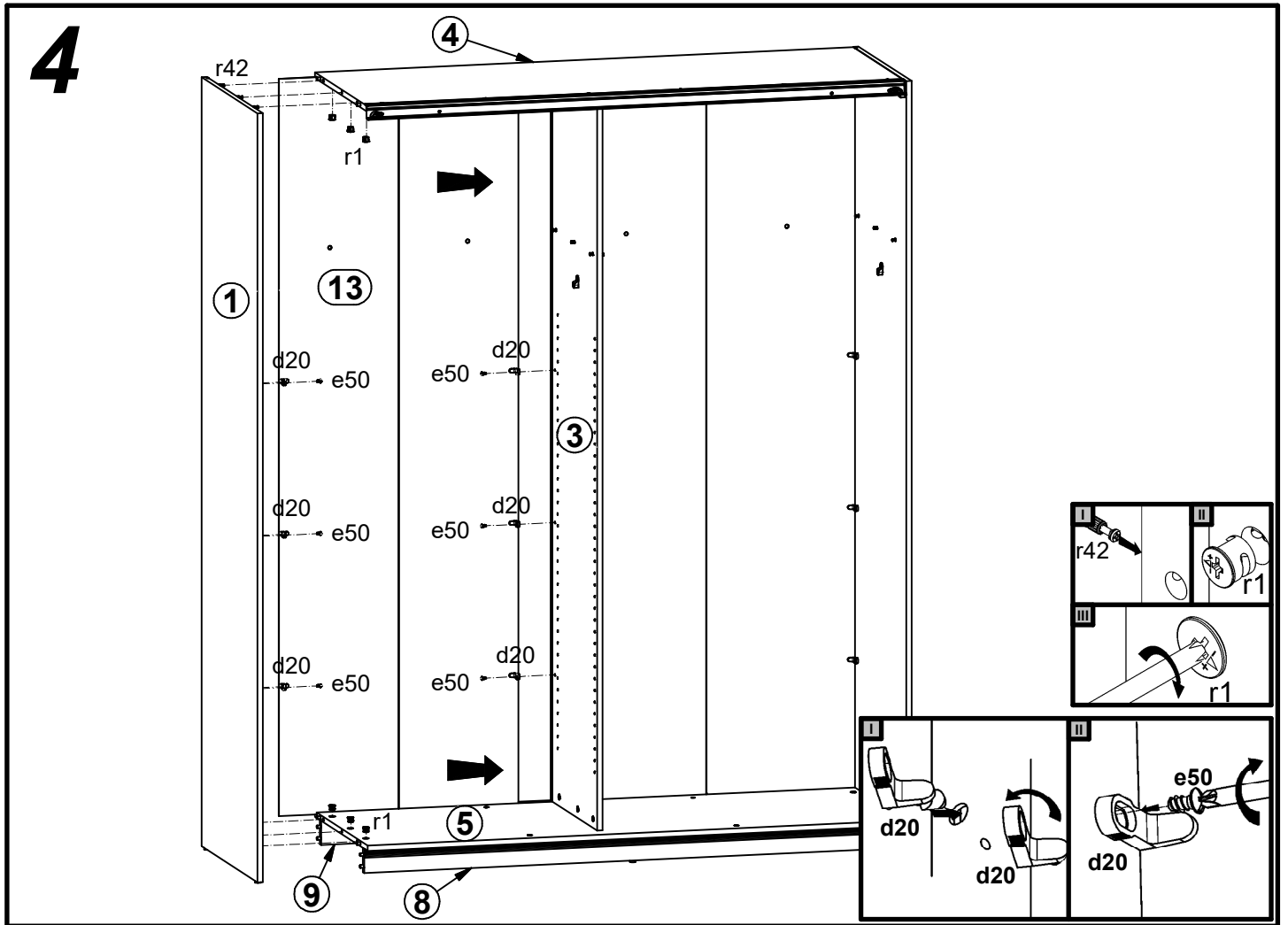


16x d20	4x Ø7x50 mm e1	24x Ø5.5x13 mm e13	16x Ø6.3x10 mm e50	20x Ø8x30 mm f1	2x f58	2x M5x20 mm j148	2x M5 j159	6x k1
16x l2	4x h=22mm n1	8x 90x50x1.5 mm n148	2x n194	2x n195	1x n196	2x n197	2x n198	2x n199
2x Ø5xØ10 o100	12x Ø3.5x13 mm p1	4x Ø3.5x25 mm p16	94x Ø4x13 mm p93	18x Ø15x12 mm #16 r1	12x 6.777.8 r37	12x Ø20x13.5 mm #19 r41	18x 20/11 r42	3x 2050 mm w118/1
1x 2050 mm w118/2	1x L-1498mm w157/1	1x L-1498mm w158/1	3x EG-sp_2050	4x s1	18x Ø16 s2	1x 4 mm z1		

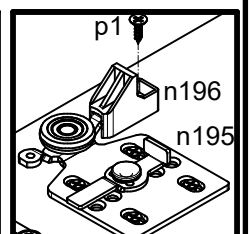
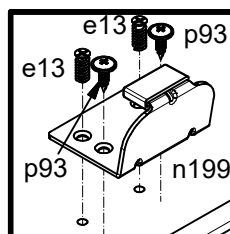
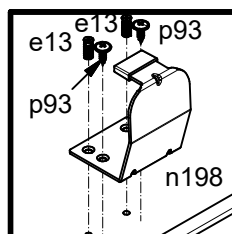
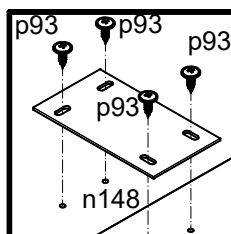
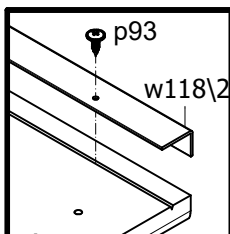
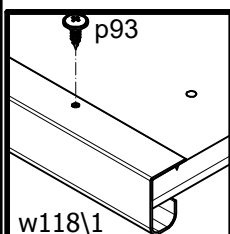
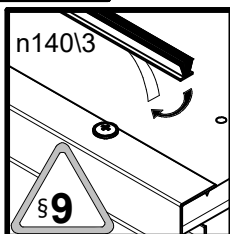
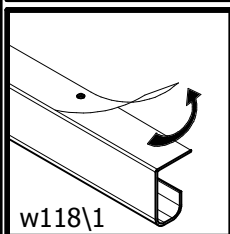
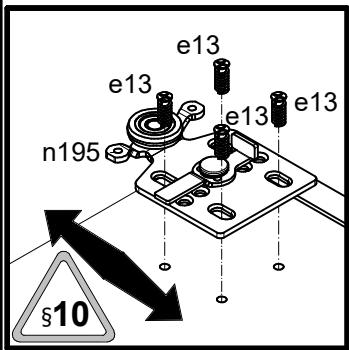
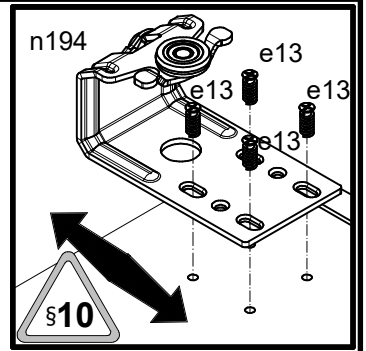
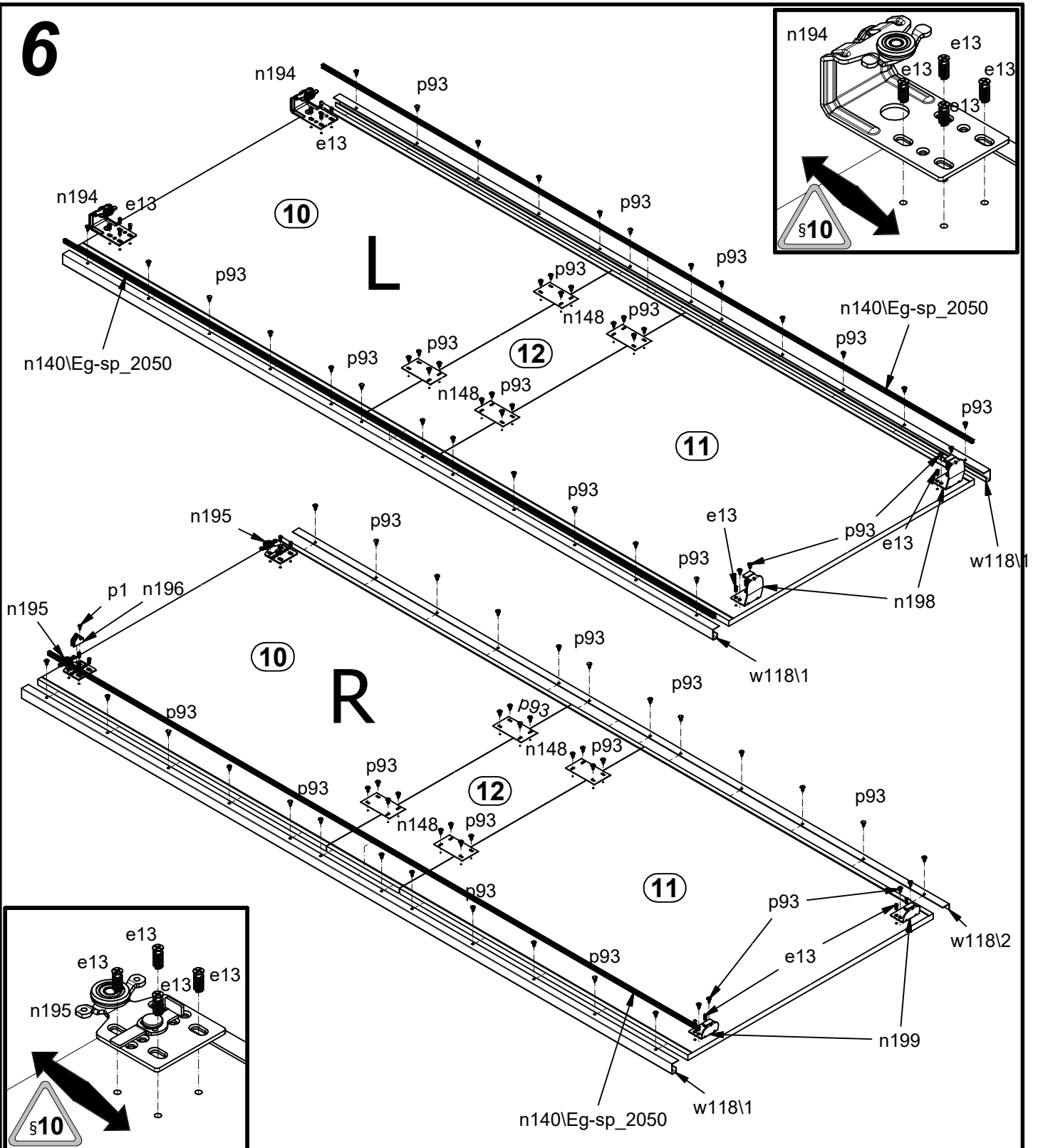
1



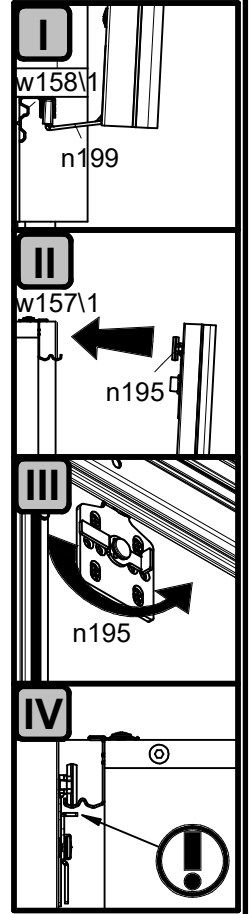
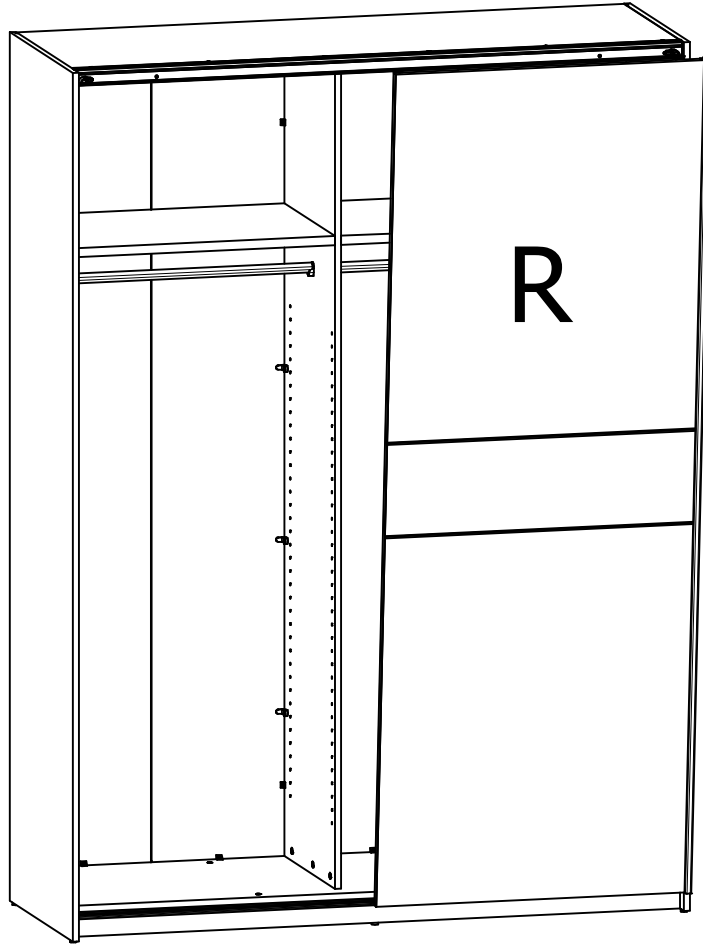




6



7



8

