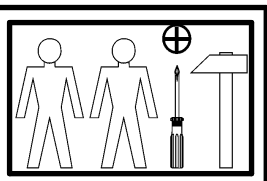
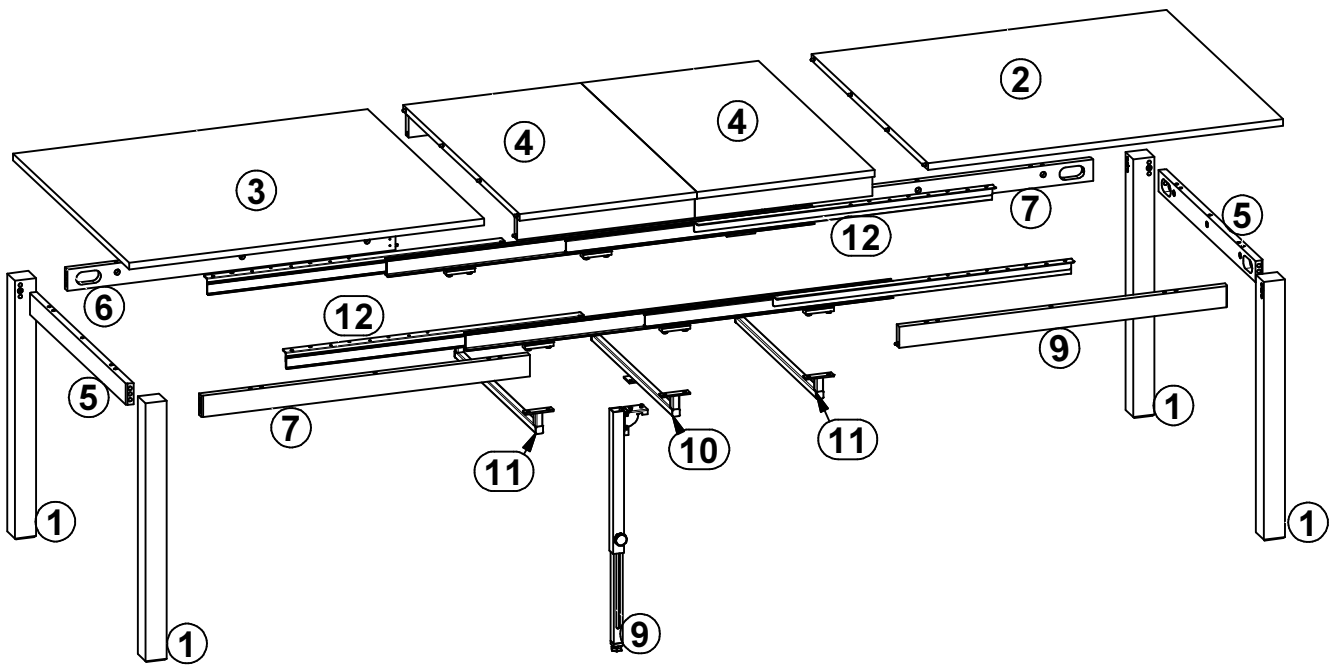
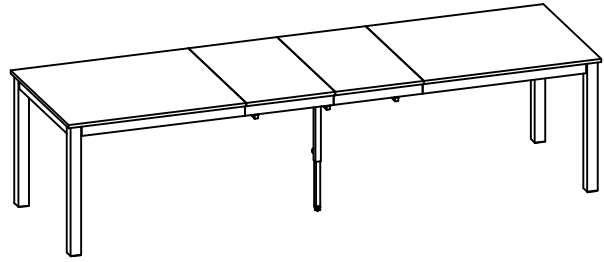


A

STOŁY

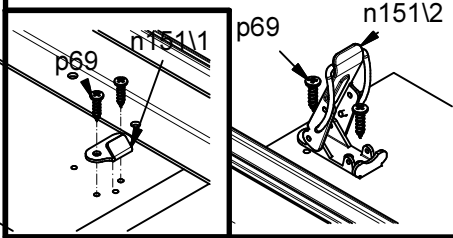
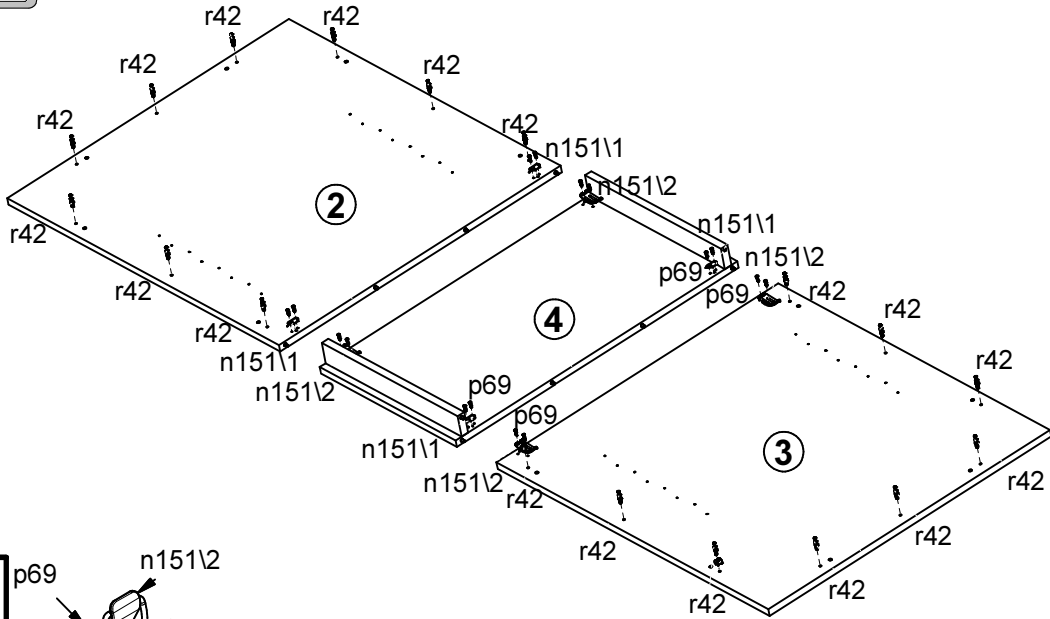
D09018-STO

| A | B | C | D | |
|----|------------|------|-----|-----|
| 1 | D09018-101 | 730 | 60 | 2/3 |
| 2 | D09018-201 | 1000 | 900 | 1/3 |
| 3 | D09018-202 | 1000 | 900 | 1/3 |
| 4 | D09018-203 | 500 | 900 | 1/3 |
| 5 | D09018-401 | 750 | 60 | 2/3 |
| 6 | D09018-403 | 925 | 60 | 2/3 |
| 7 | D09018-404 | 925 | 60 | 2/3 |
| 8 | D09018-405 | 80 | 21 | 3/3 |
| 9 | w105\3 | 674 | 30 | 3/3 |
| 10 | w105_5 | 630 | 80 | 3/3 |
| 11 | w105_6 | 630 | 80 | 3/3 |
| 12 | w177 | 1200 | 85 | 3/3 |

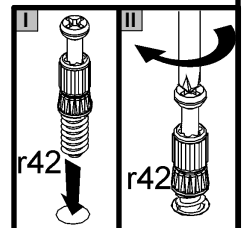
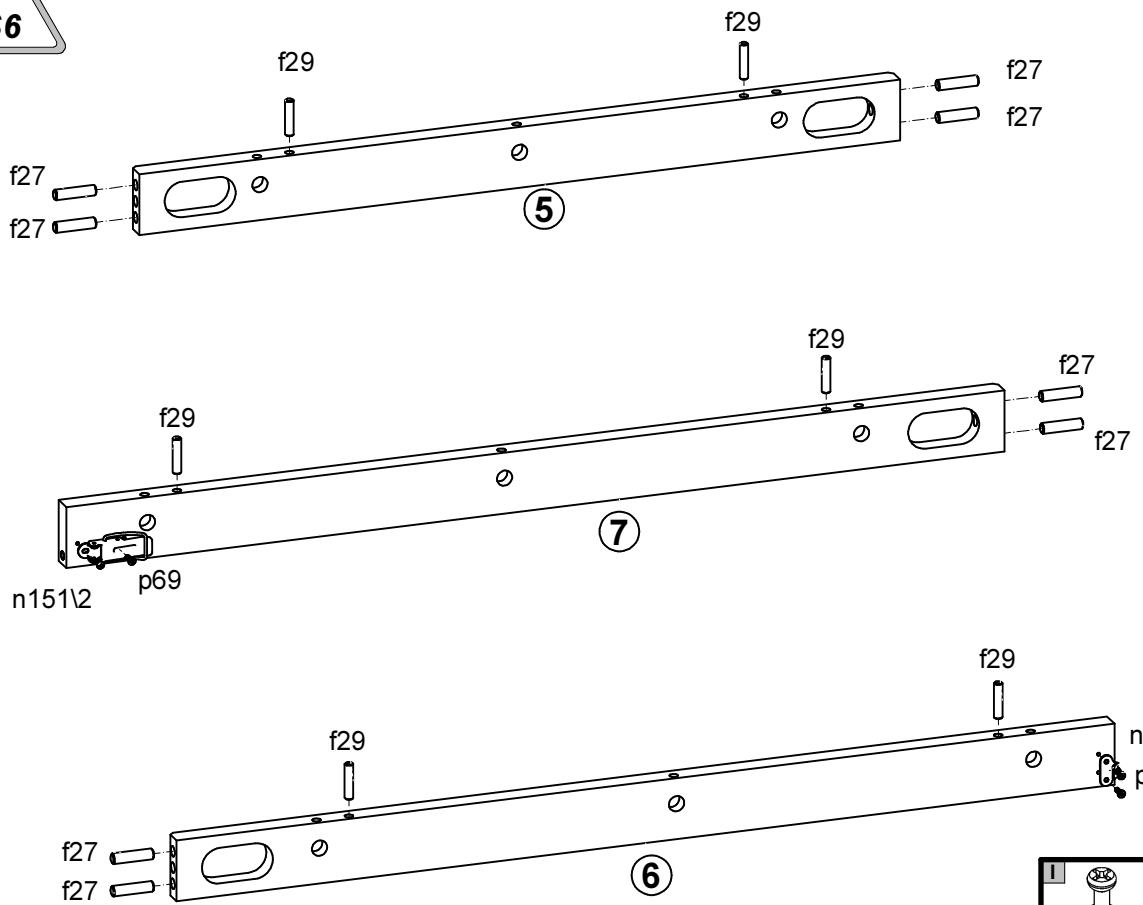


| | | | | | | | | |
|-------------------------|------------------------|-----------------------|-------------------------|----------------------------|------------------------|----------------------------|------------|--------------|
| 16x Ø10x40 mm f27 | 12x Ø8x35 mm f29 | 8x M8x40 mm j54 | 12x M6x20 mm j167 | 8x Ø8xØ17x1,8 mm Q28 | 64x Ø4x16 mm p69 | 18x Ø15x12 mm #16 r1 | 18x r42 | 8x n151_1 |
| 8x n151_2 | 1x 4 mm z15 | 1x 6 mm z16 | | | | | | |

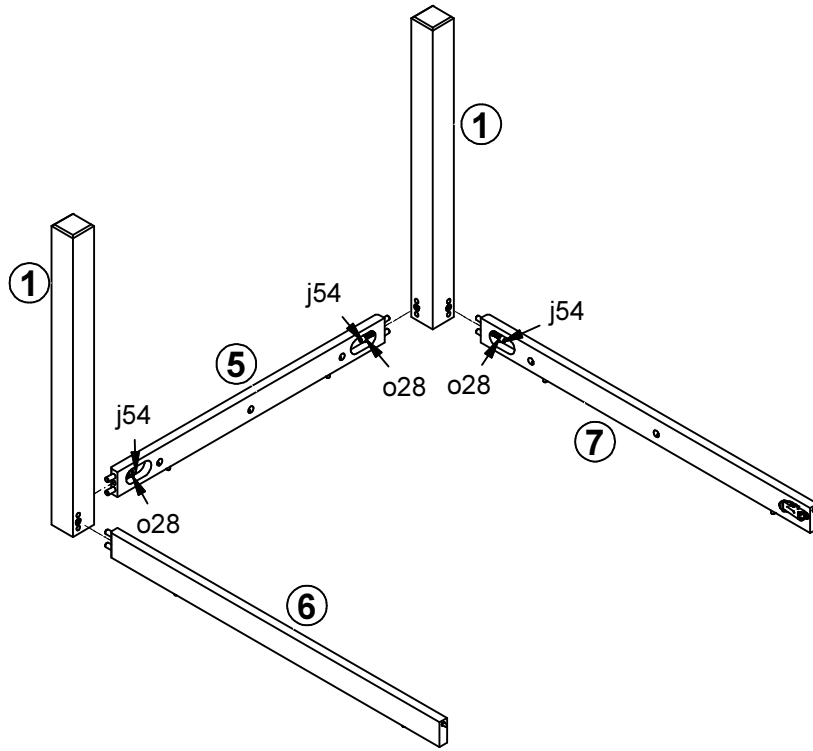
1



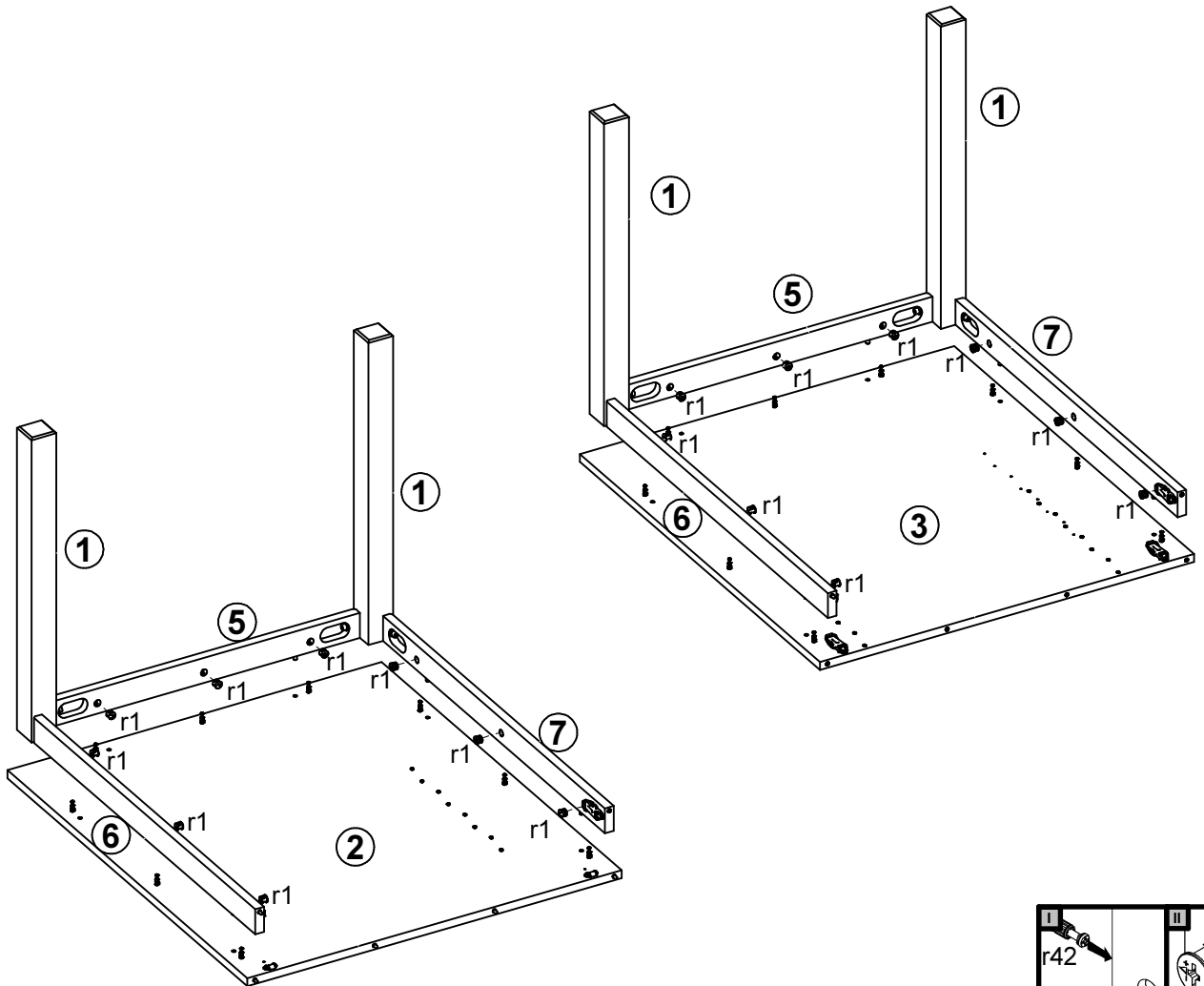
2



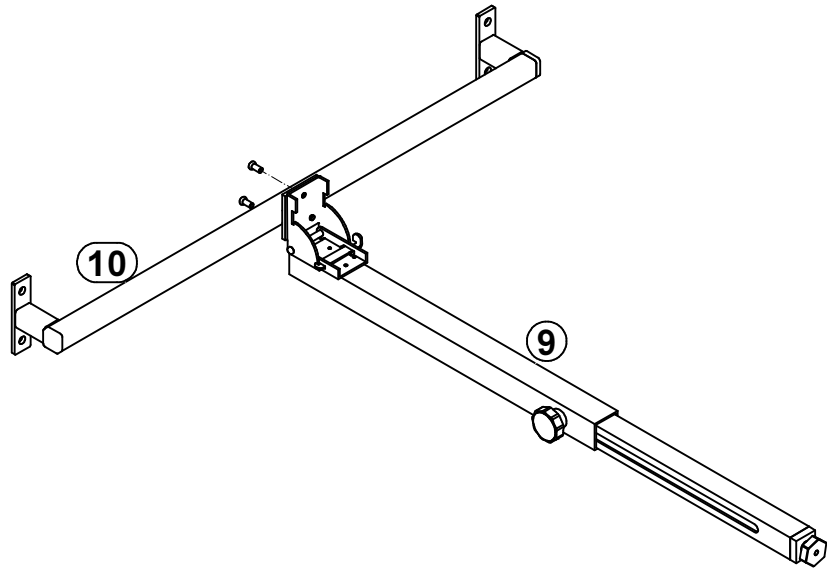
3



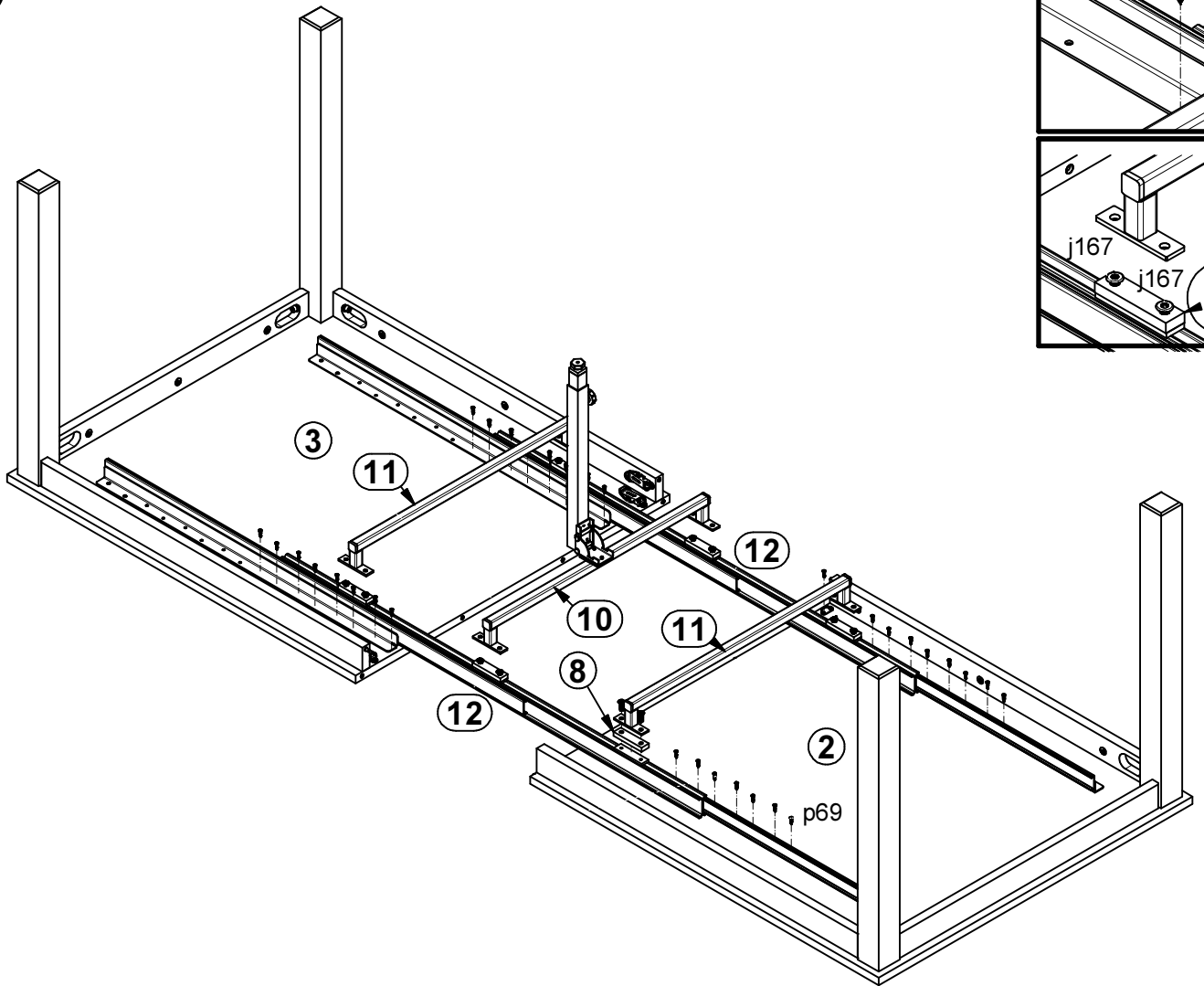
4



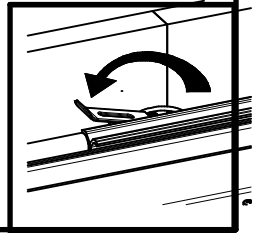
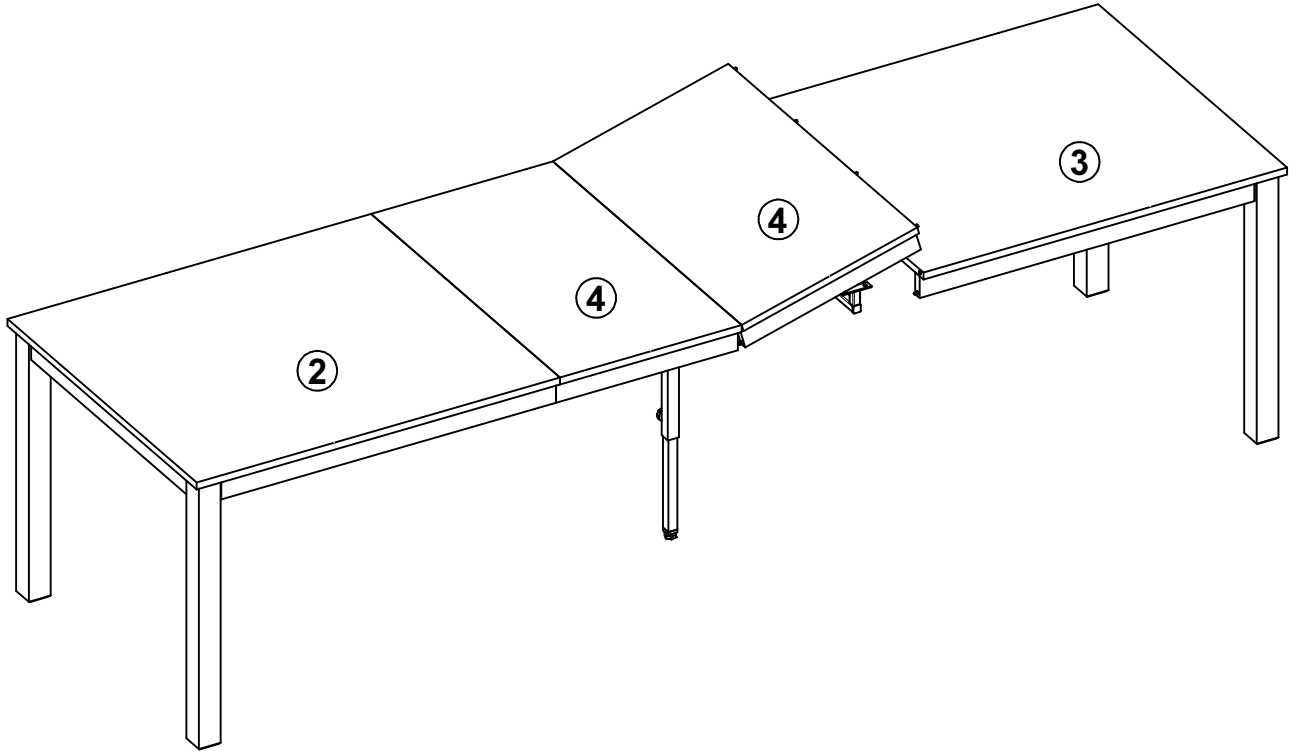
5



6



7



8

