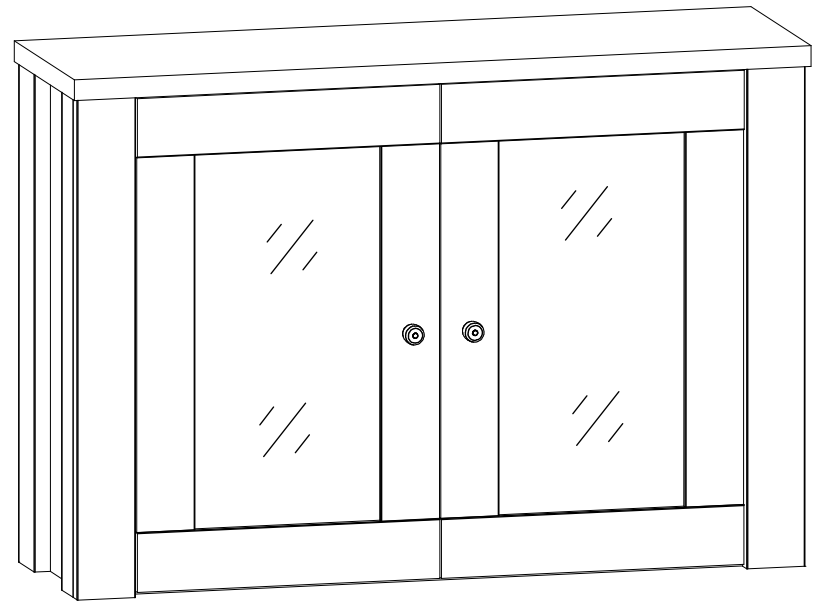
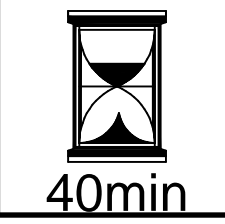
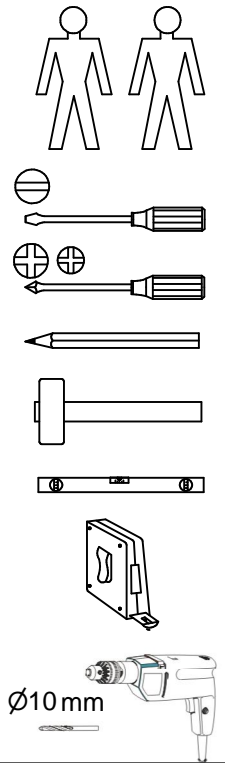
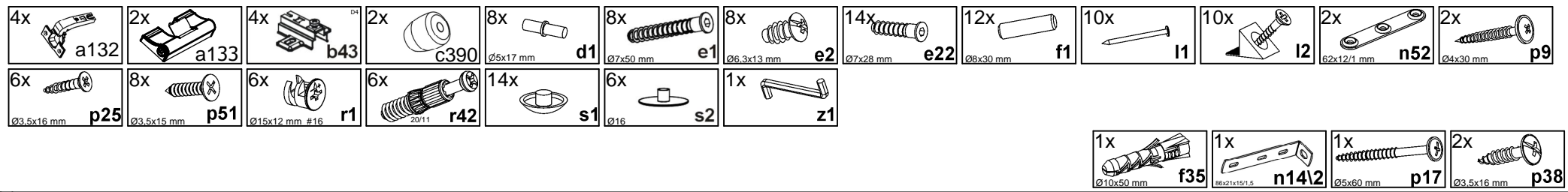
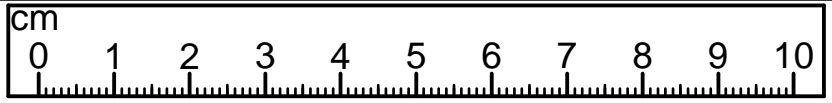


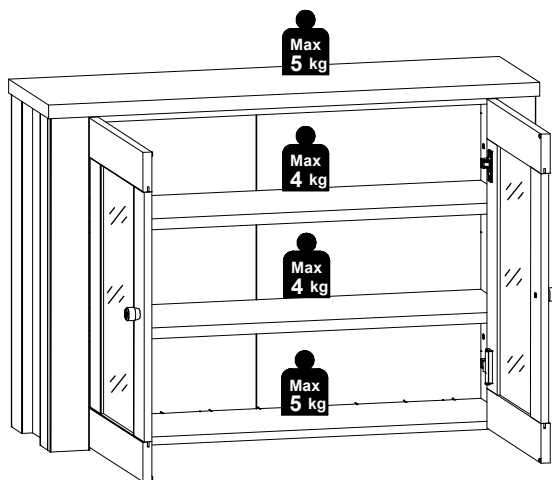
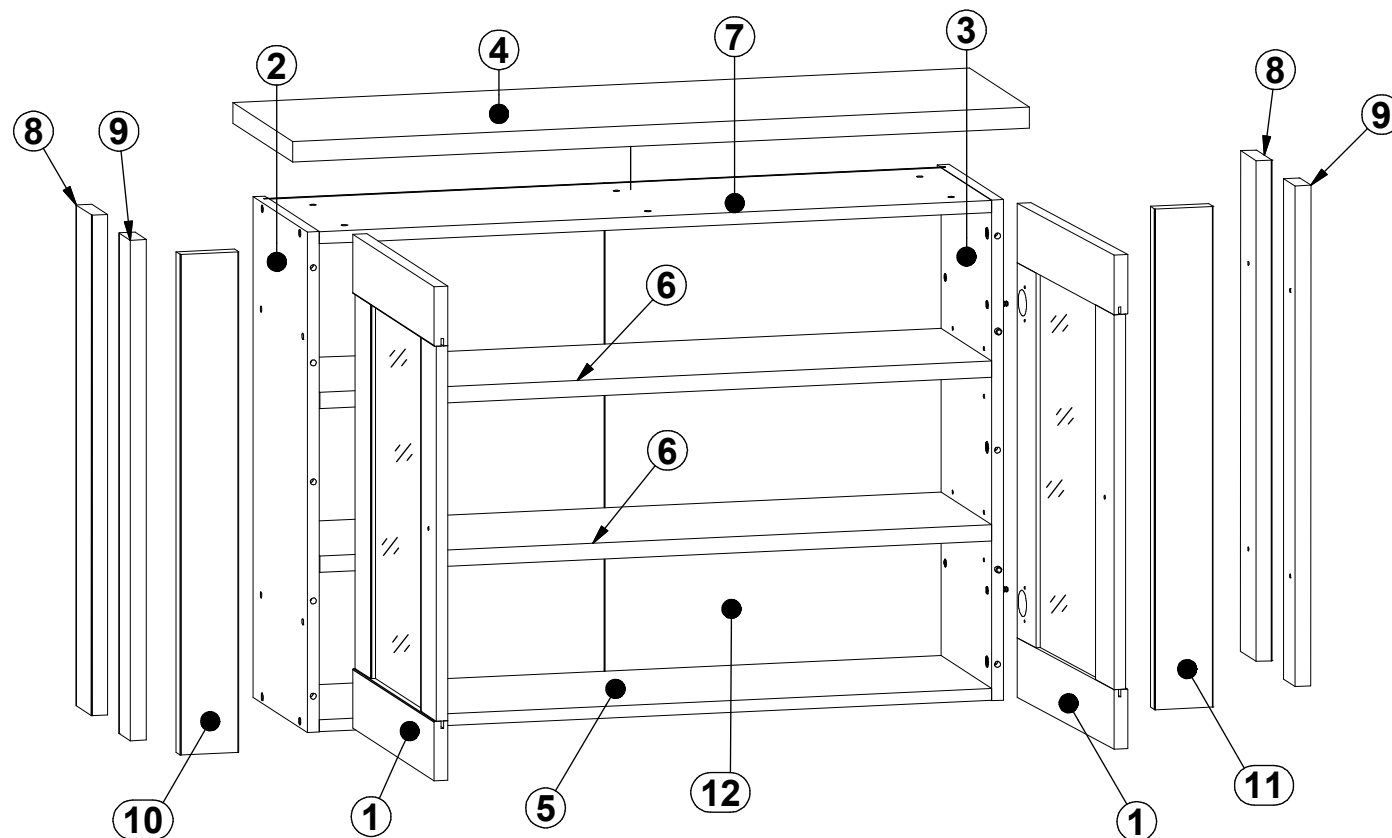
A

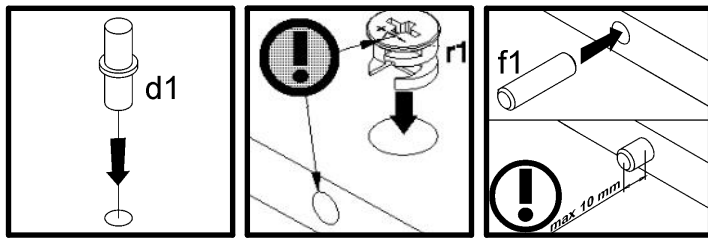
S256-NAD2W/7/10



A	B	C (mm)		D
1	S256-026	664	415	2/2
2	S256-163	673	278	2/2
3	S256-164	673	278	2/2
4	S256-219	1010	307	1/2
5	S256-355	922	278	1/2
6	S256-356	921	258	1/2
7	S256-357	922	258	1/2
8	S256-5561	673	80	2/2
9	S256-5562	673	58	2/2
10	S256-5563	673	80	2/2
11	S256-5564	673	80	2/2
12	S256-9909	661	933	2/2

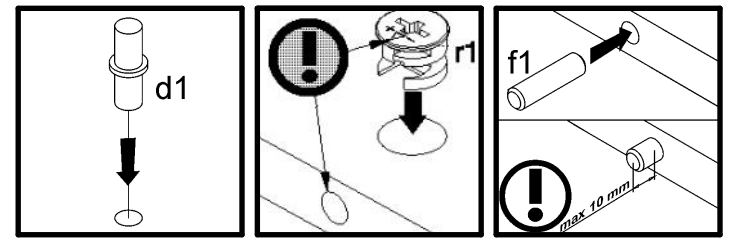
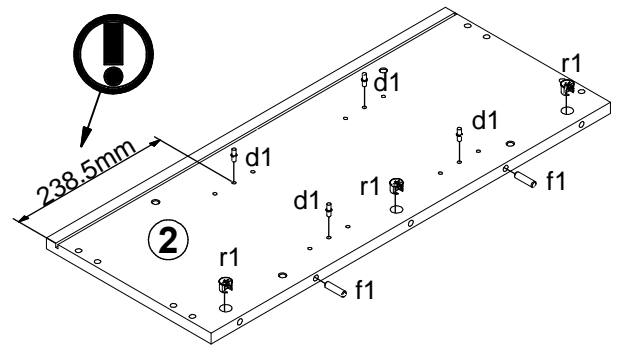




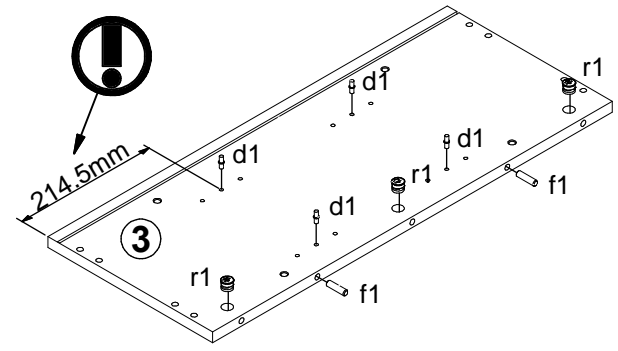


1

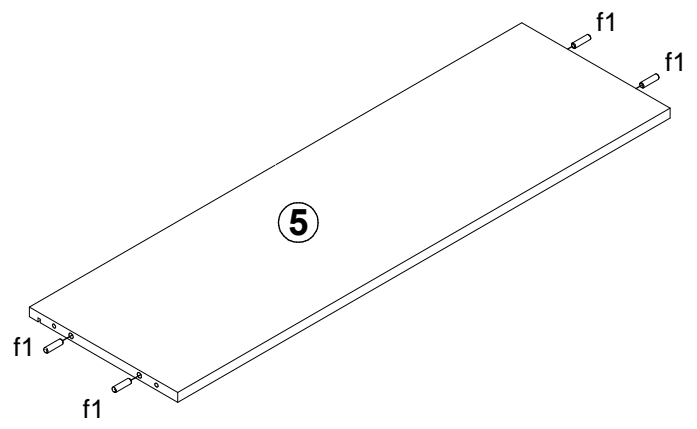
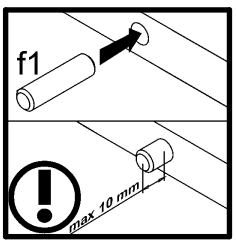
- 4x **d1**
∅5x17 mm
- 2x **f1**
∅8x30 mm
- 3x **r1**
∅15x12 mm #16



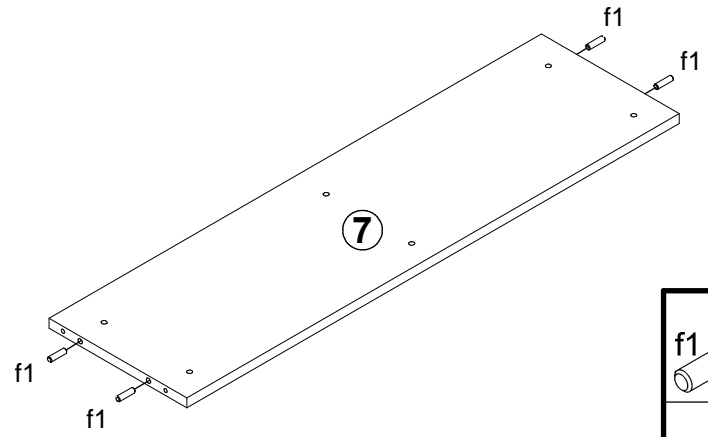
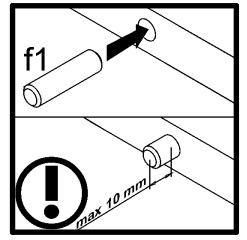
- 4x **d1**
∅5x17 mm
- 2x **f1**
∅8x30 mm
- 3x **r1**
∅15x12 mm #16

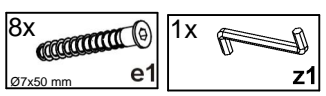
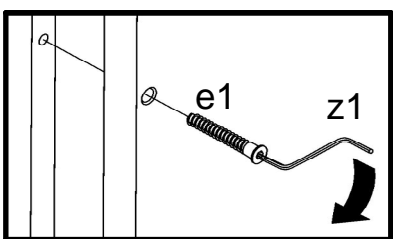


- 4x **f1**
∅8x30 mm

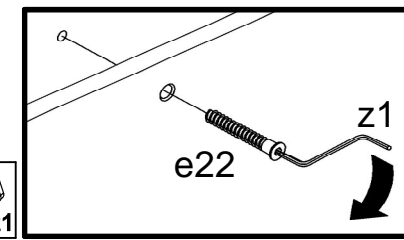
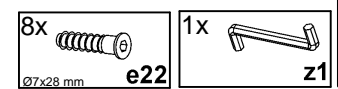
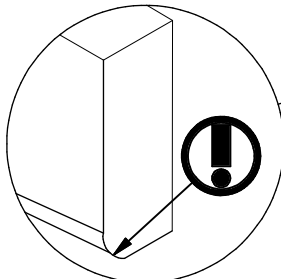
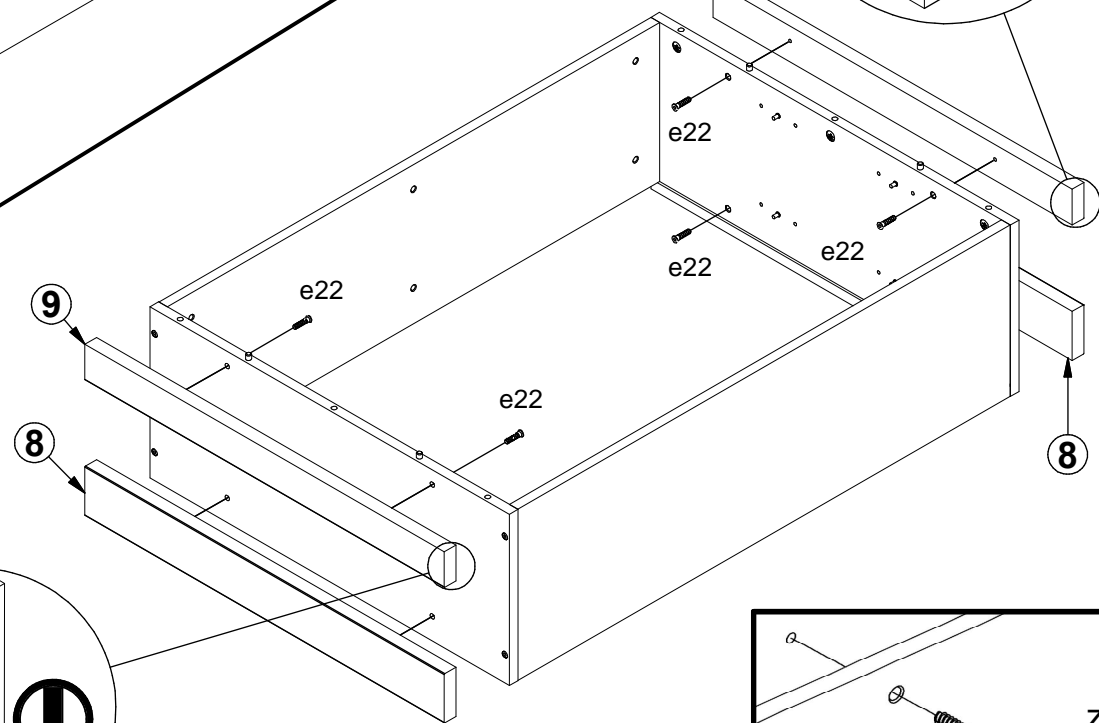
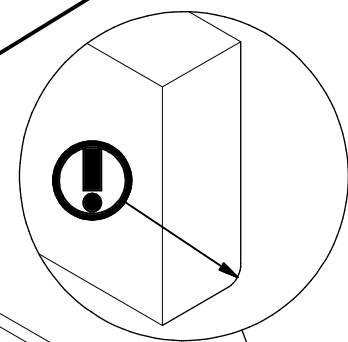
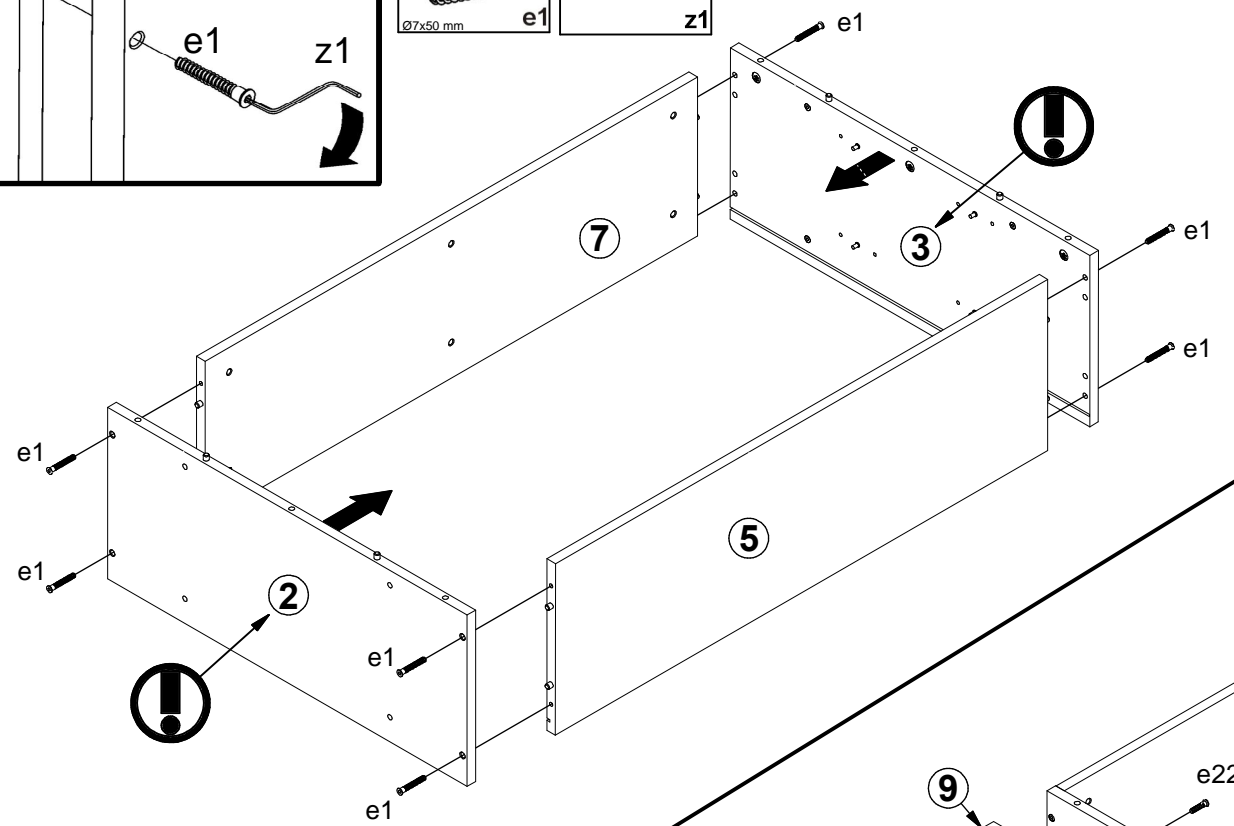


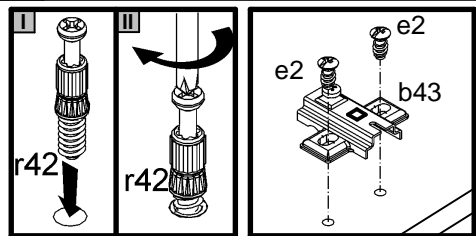
- 4x **f1**
∅8x30 mm



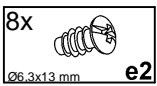
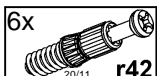


3





4



10



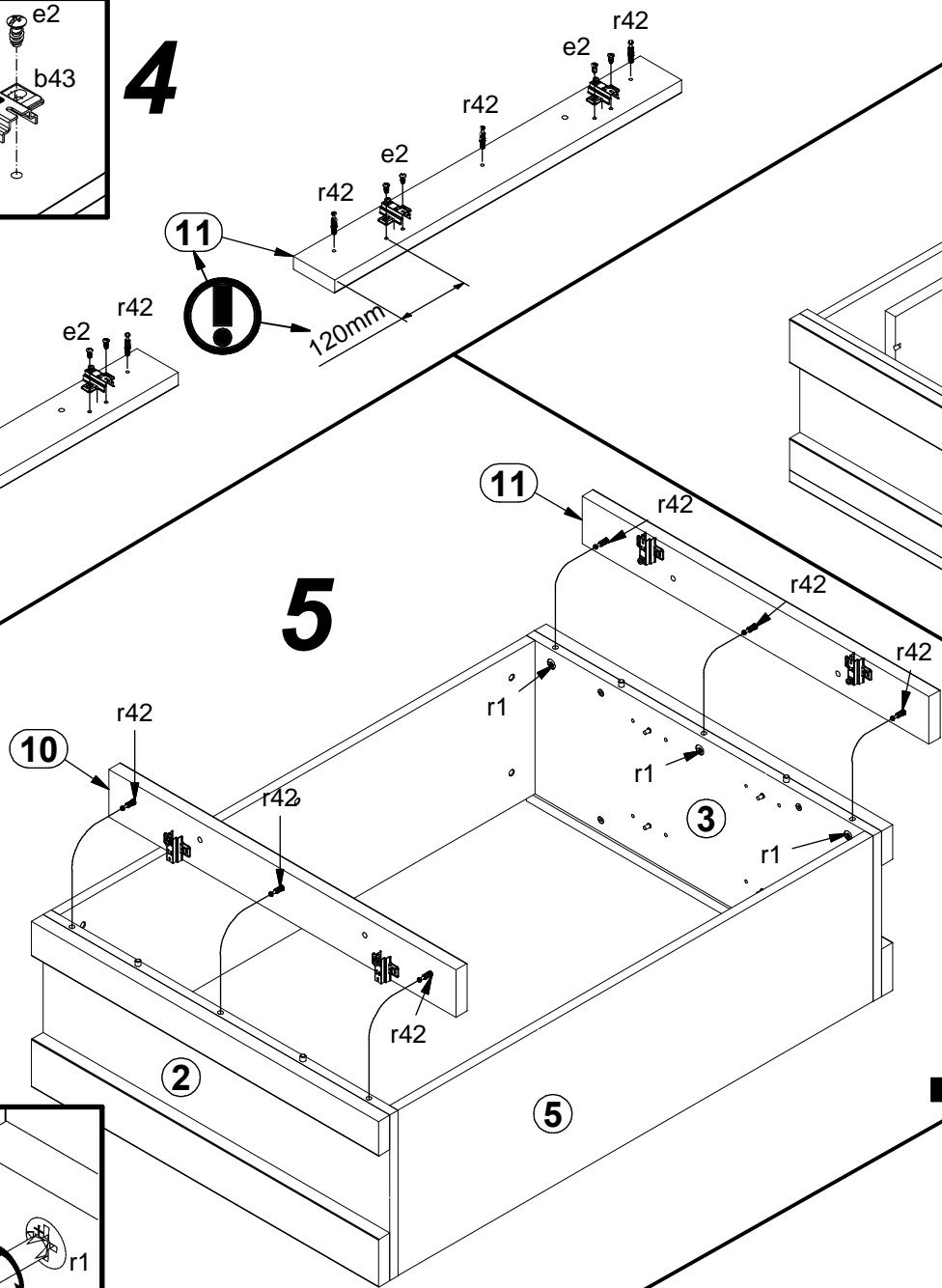
117mm

11

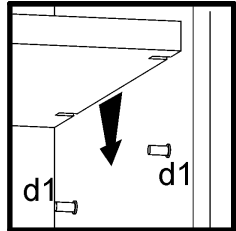
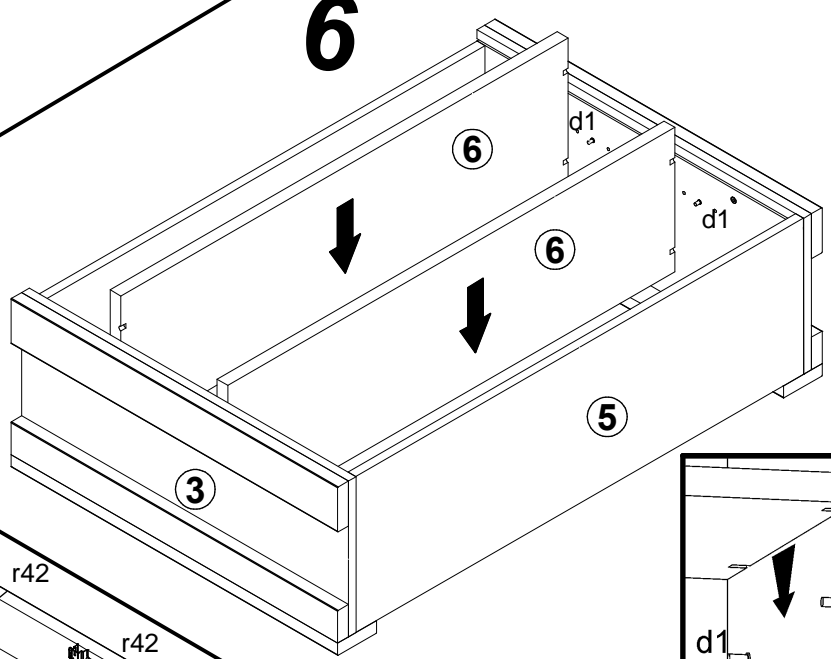


120mm

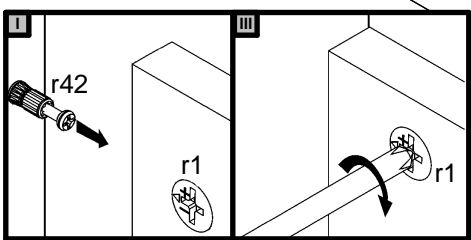
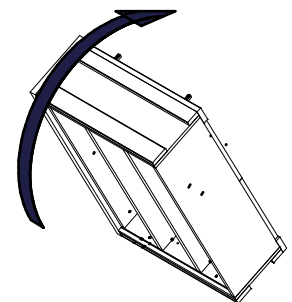
5

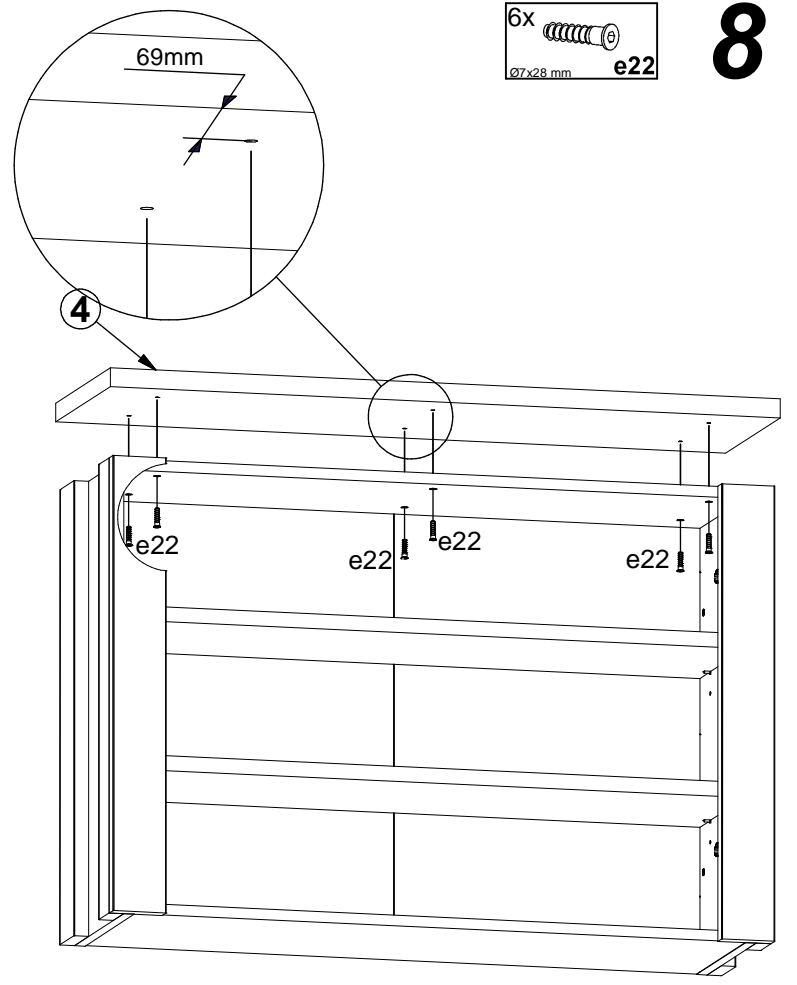
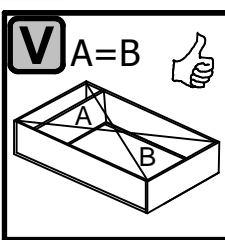
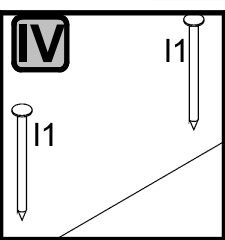
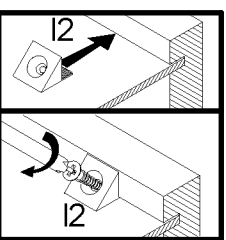
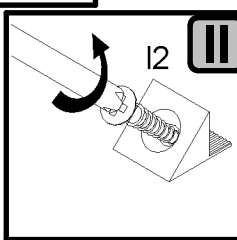
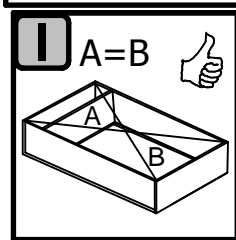
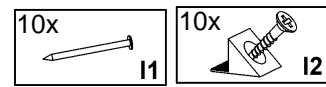
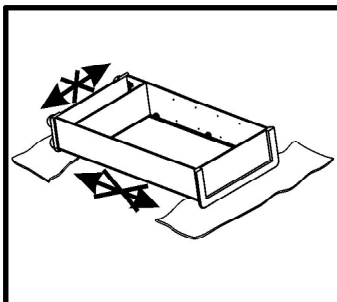
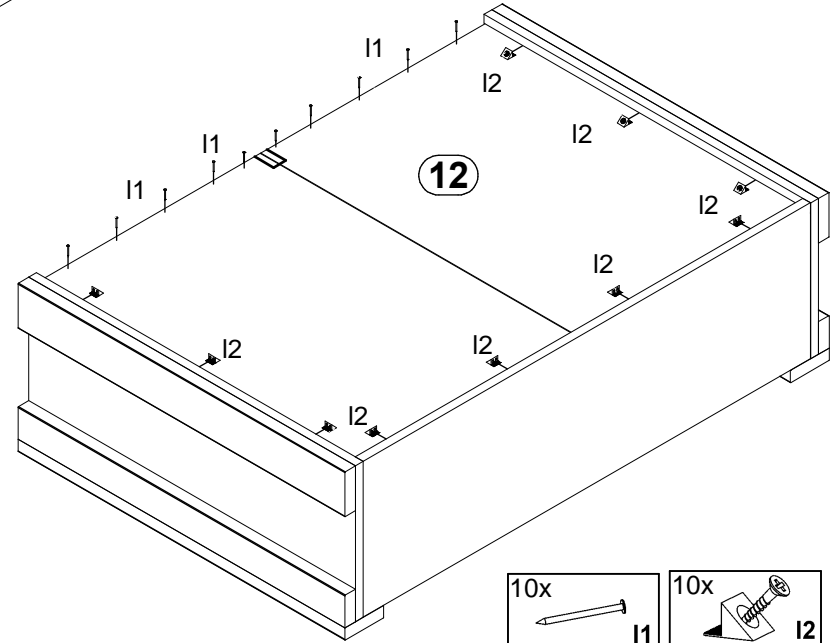
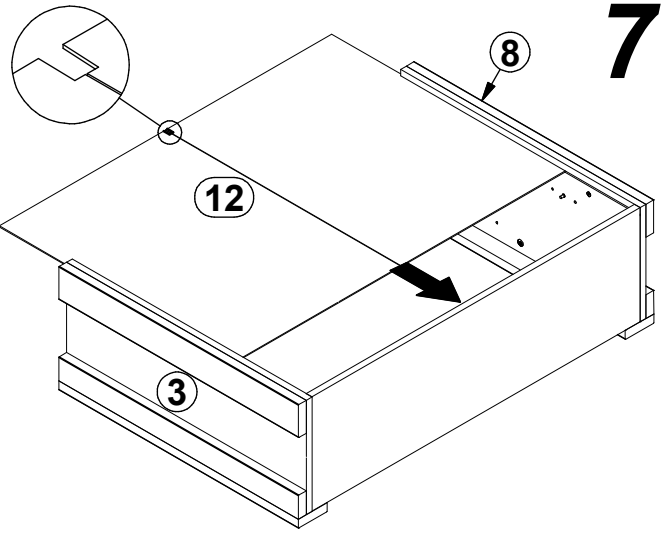


6

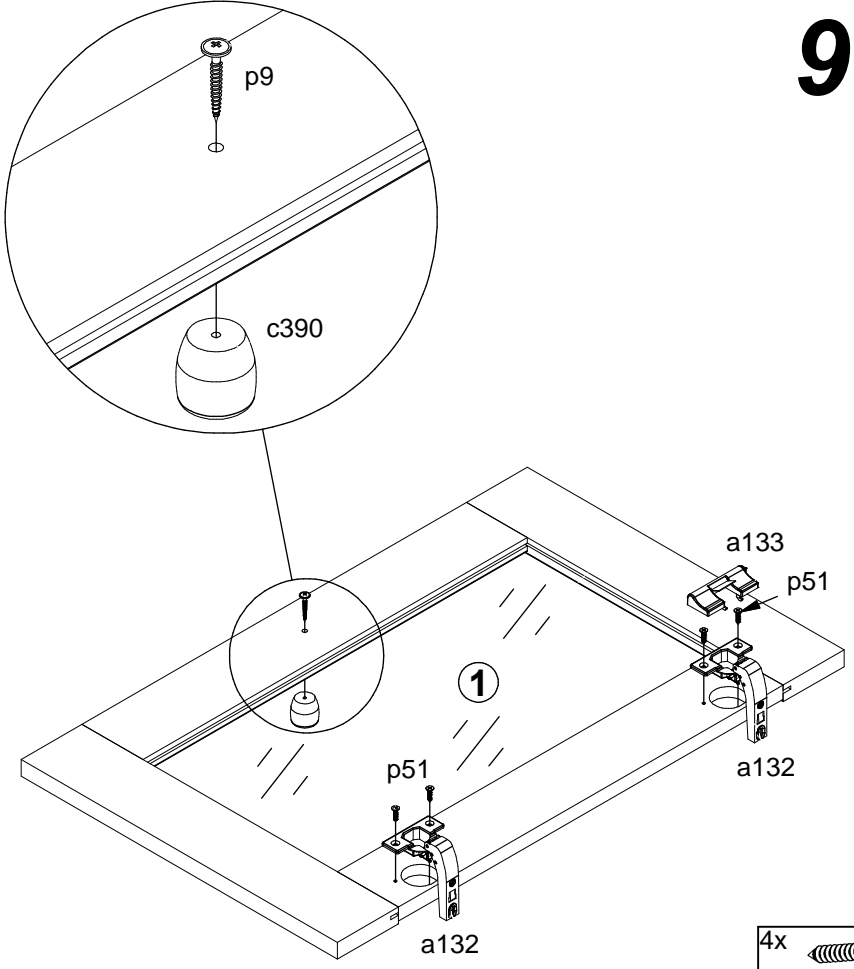







180°

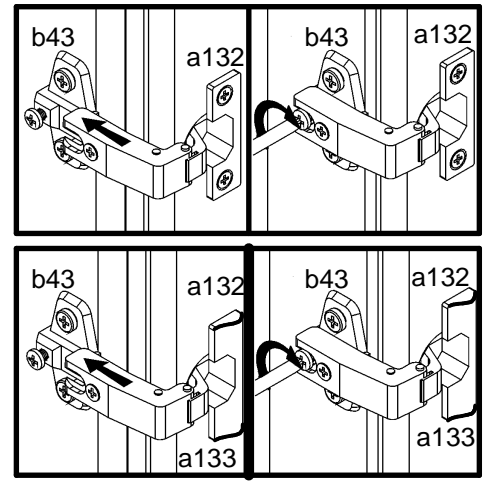
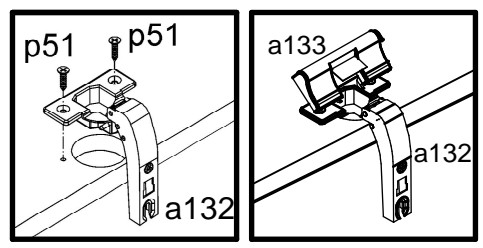




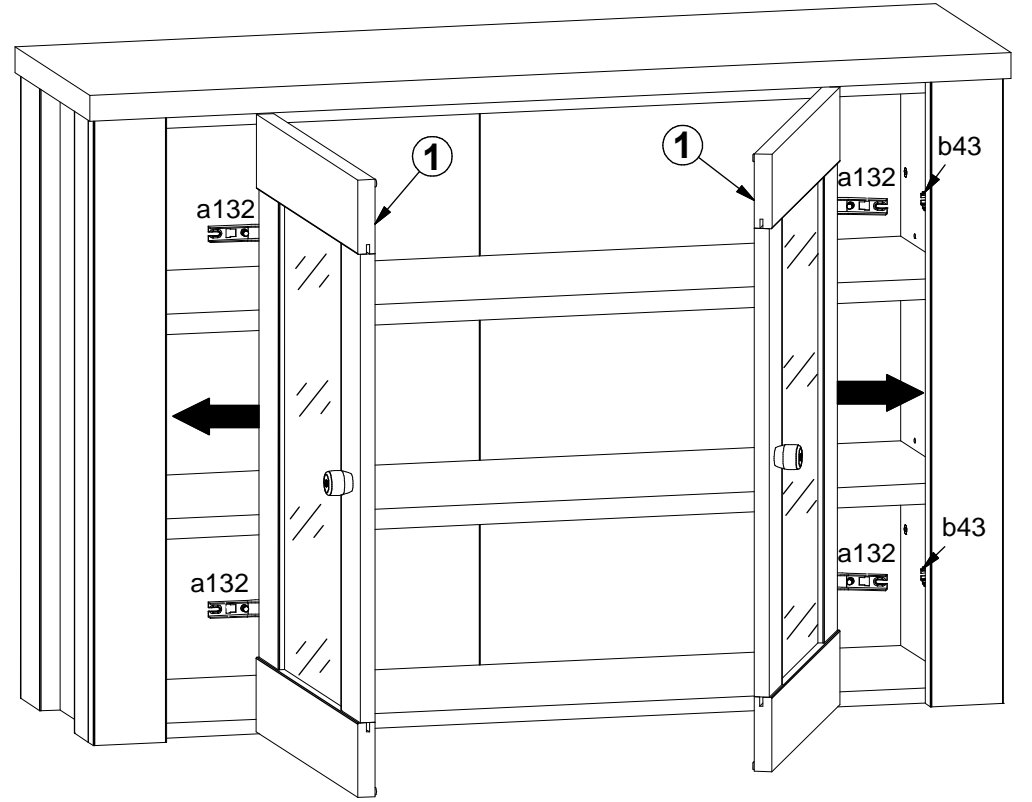
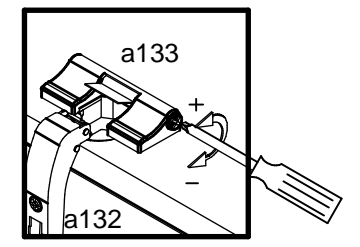
9

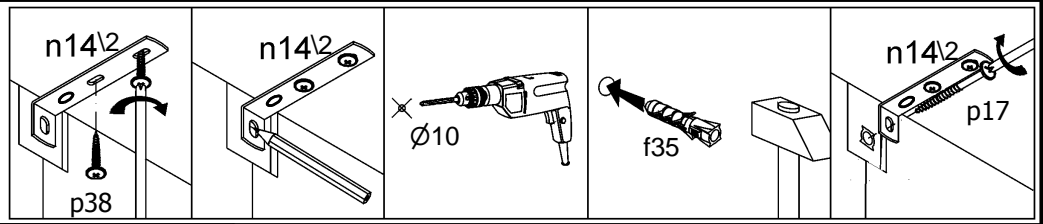


- 4x  **p51**
Ø3.5x15 mm
- 1x  **a133**
- 2x  **a132**
- 1x  **p9**
Ø4x30 mm
- 1x  **c390**

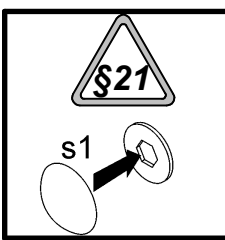
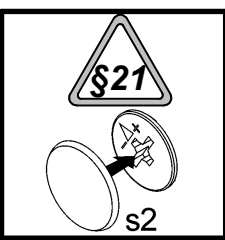
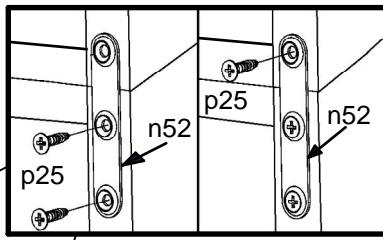
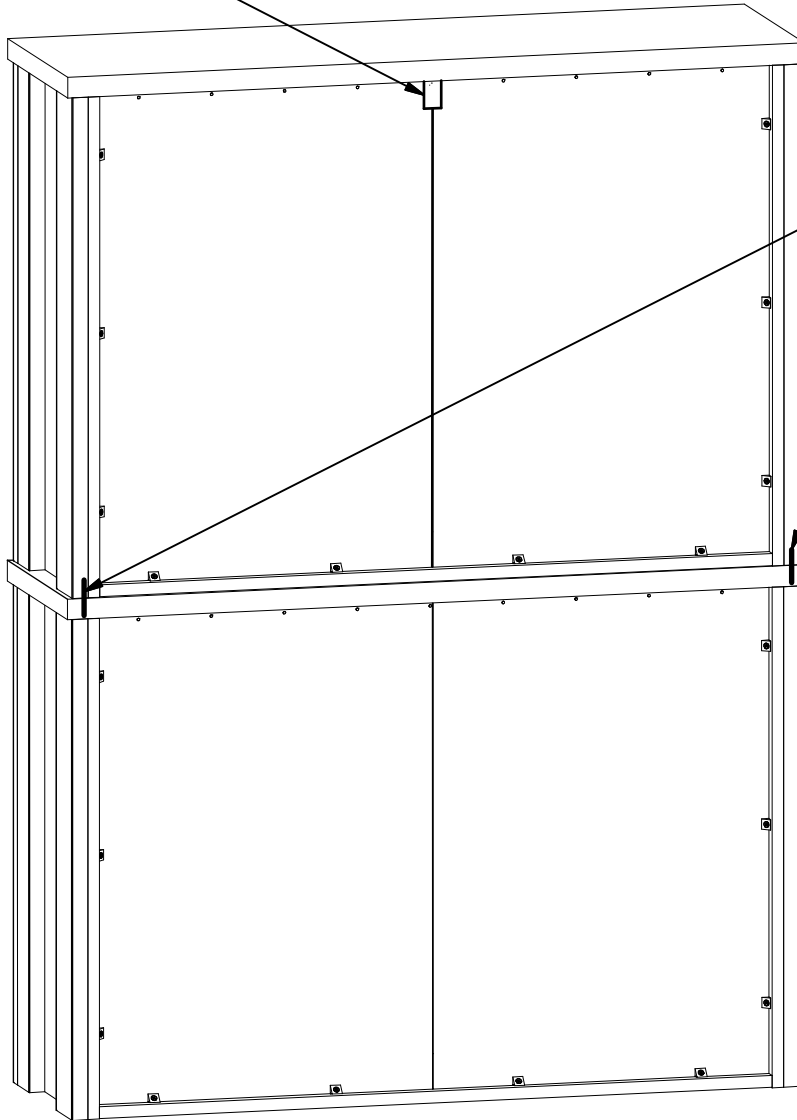
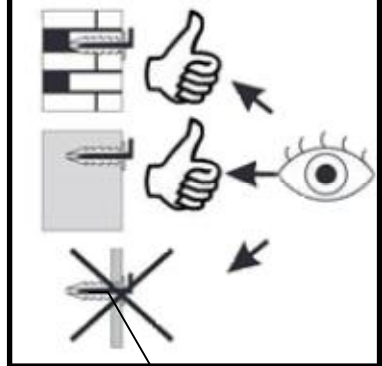


10





11



- | | | | |
|-----------------------------------|-------------------------------|--------------------------------|--------------------------------|
| 1x
88x21x15/1.5
n142 | 1x
Ø10x50 mm
f35 | 1x
Ø5x60 mm
p17 | 2x
Ø3,5x16 mm
p38 |
| 14x
s1 | 6x
Ø16
s2 | 2x
62x12/1 mm
n52 | 6x
Ø3,5x16 mm
p25 |

