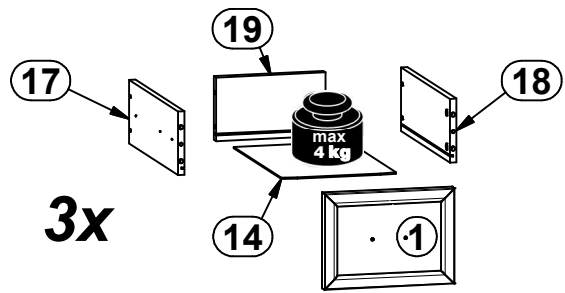
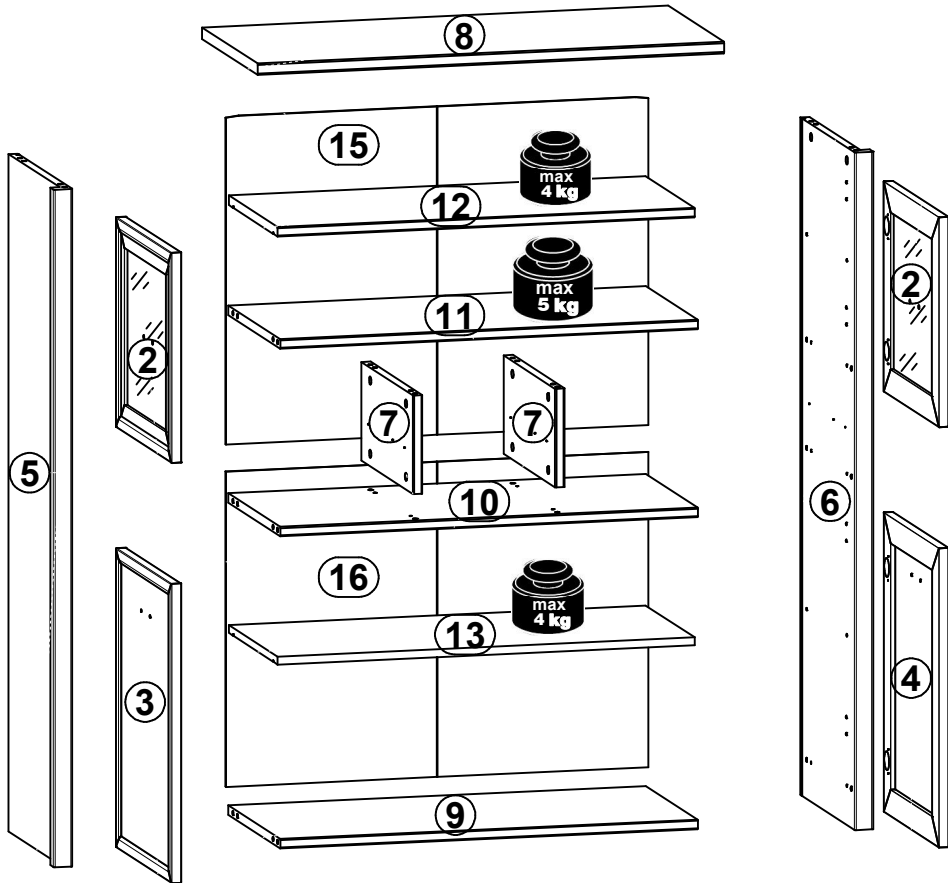
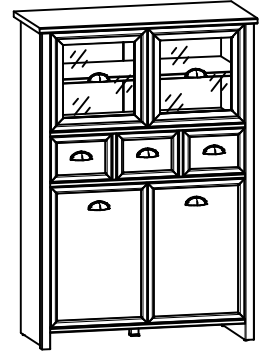


**A**

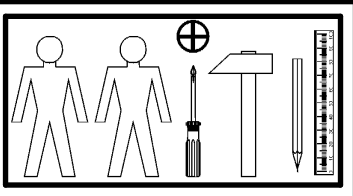
# CANNET

**S351-REG2D2W3S**

A	B	C	D	A	B	C	D	
1	S351-0003	249	180	3/5	11	S351-3006	801 373	2/5
2	S351-0004	396	396	4/5	12	S351-3024	800 351	2/5
3	S351-0005	564	396	5/5	13	S351-3025	800 351	2/5
4	S351-0006	564	396	5/5	14	S351-9003	220 343	1/5
5	S351-1005	1277	390	1/5	15	S351-9302	619 811	1/5
6	S351-1006	1277	390	1/5	16	S351-9303	594 811	1/5
7	S351-1007	186	371	2/5	17	ZK1-503	350 120	1/5
8	S351-2002	895	400	1/5	18	ZK1-504	350 120	1/5
9	S351-3004	801	373	2/5	19	ZS1-6559	210 120	2/5
10	S351-3005	801	373	2/5				

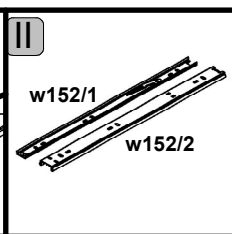
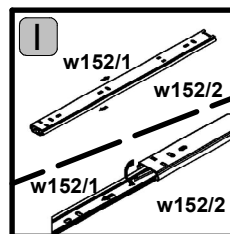
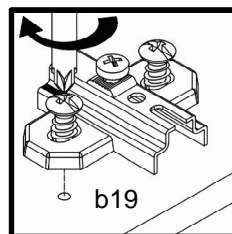
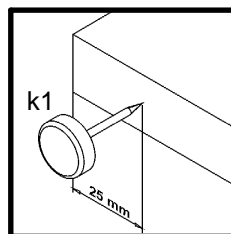
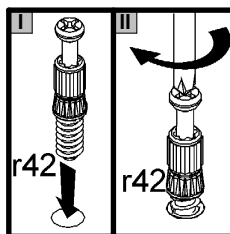
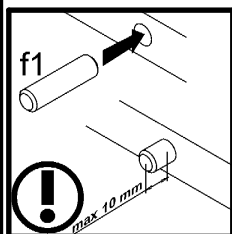
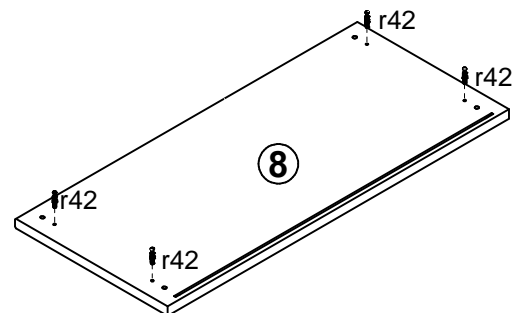
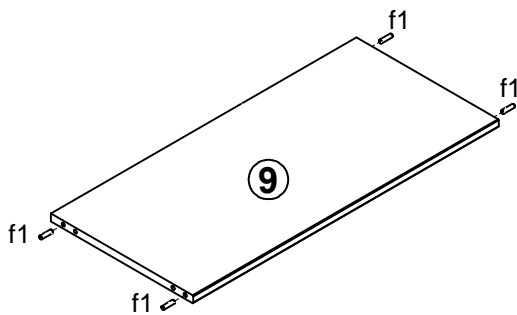
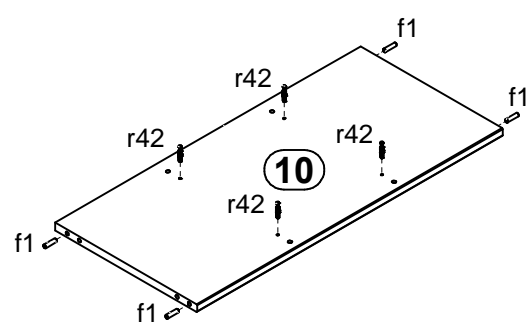
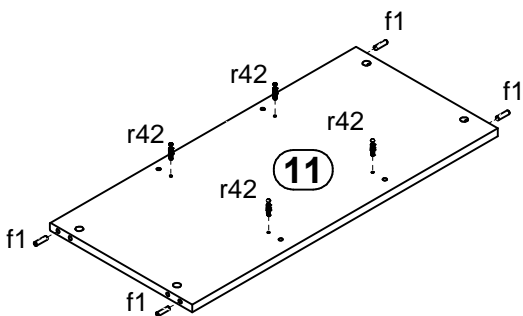
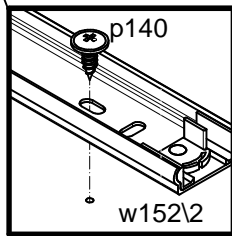
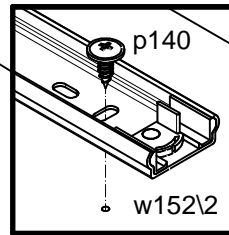
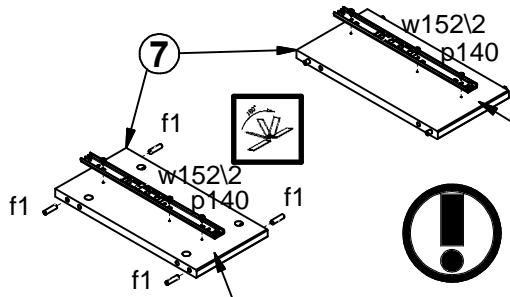
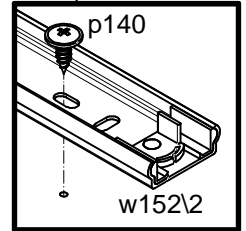
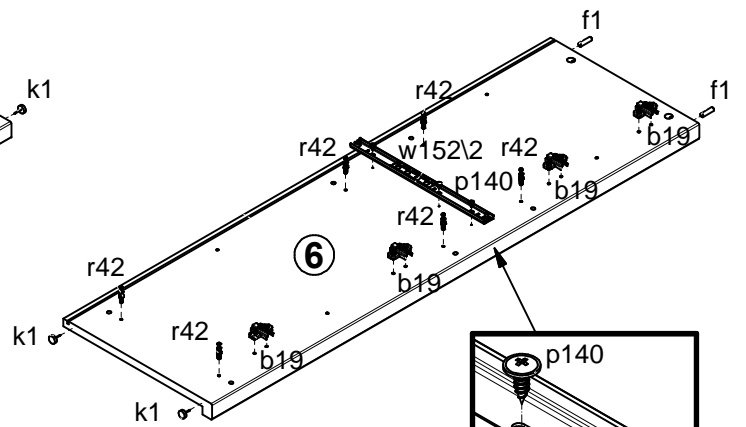
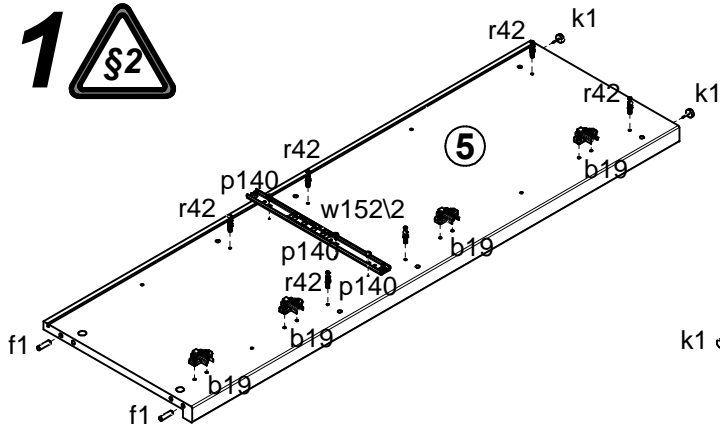


**3x**

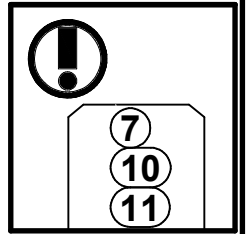
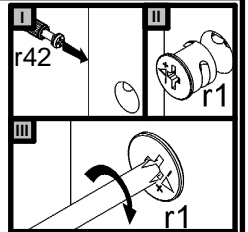
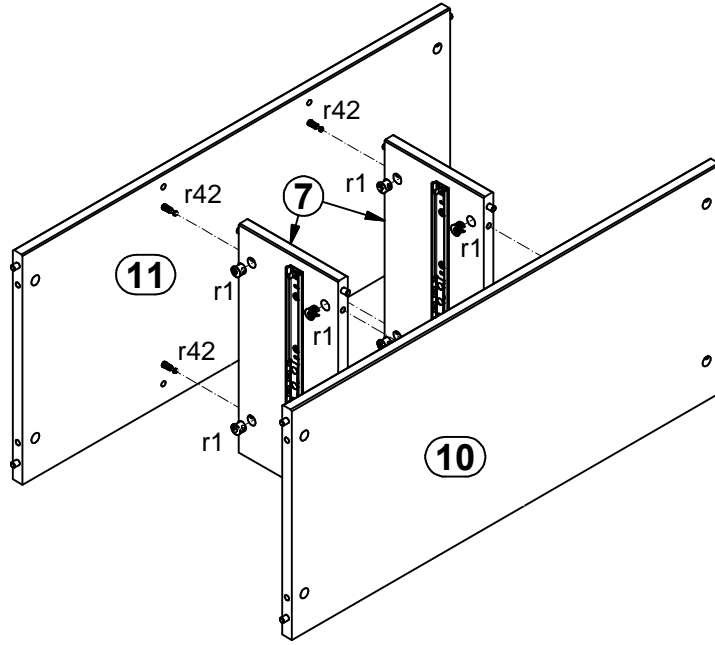


8x K16 a43	8x b19	7x 64 mm c434	8x Ø5x17 mm d1	1x Ø6.3x13 mm e2	24x Ø8x30 mm f1	6x Ø6x30 mm f9	12x Ø6.5x40 mm f25	14x M4x10 mm j106	
4x k1	1x 42.5x42.5x4 mm k38i3	1x 30x30x60 mm k38i8	35x l1	10x l2	4x silikon o21	4x Ø5/Ø10x1.4 mm o26	4x Ø6.5/Ø10x5.2 mm o27	4x Ø3.5x16 mm p38	
16x Ø3.5x15 mm p51	36x Ø3.5x12 mm p140	24x Ø15x12 mm #16 r1	12x Ø12x10.5 mm #12 r15	36x 20/11 r42	6x 350/580 mm w152i1	6x 350/580 mm w152i2			
							10x Ø16 s2	1x n26i1	1x p38

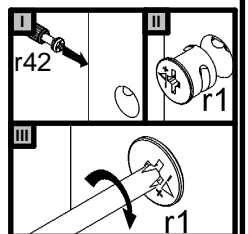
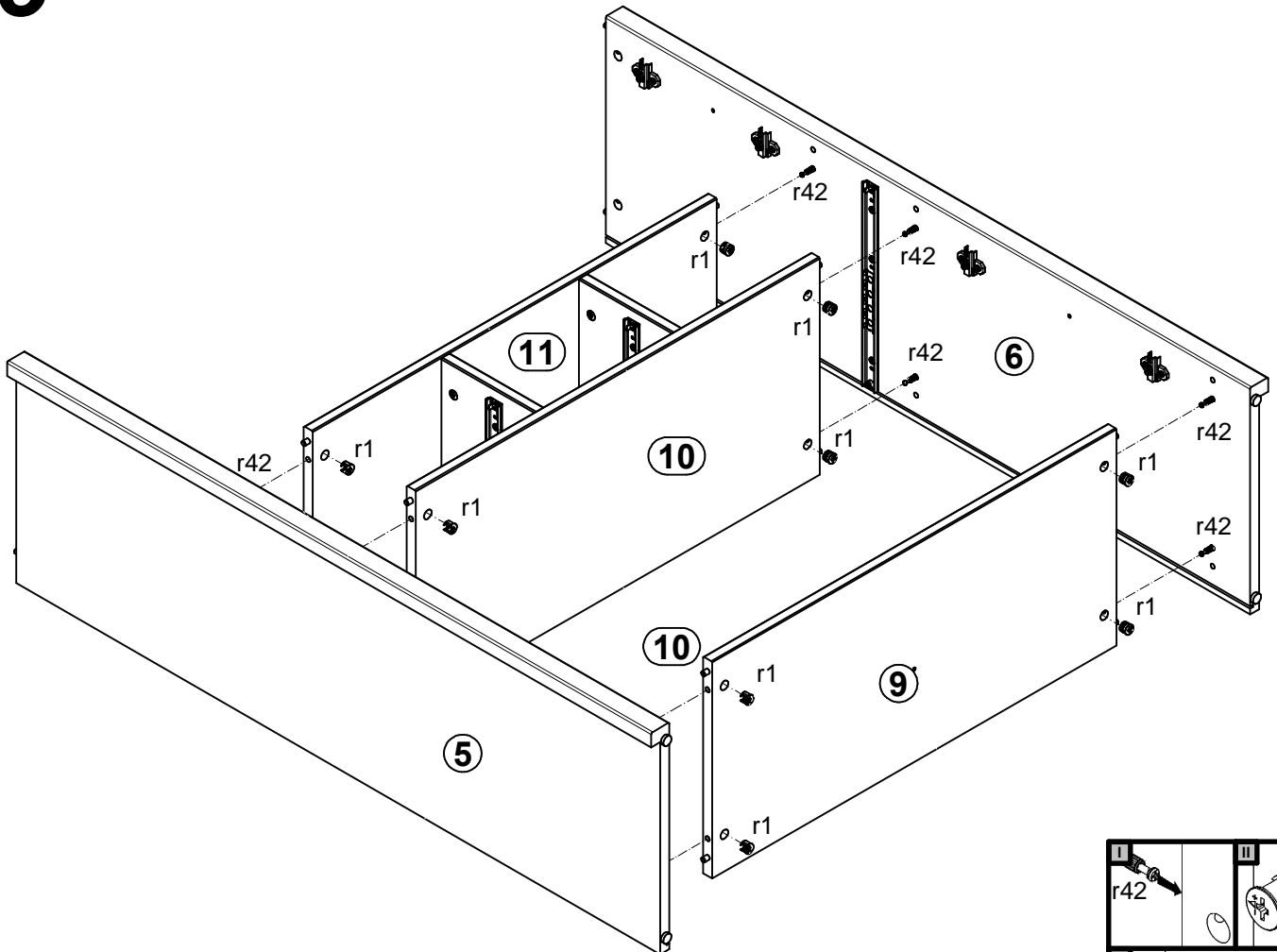
1

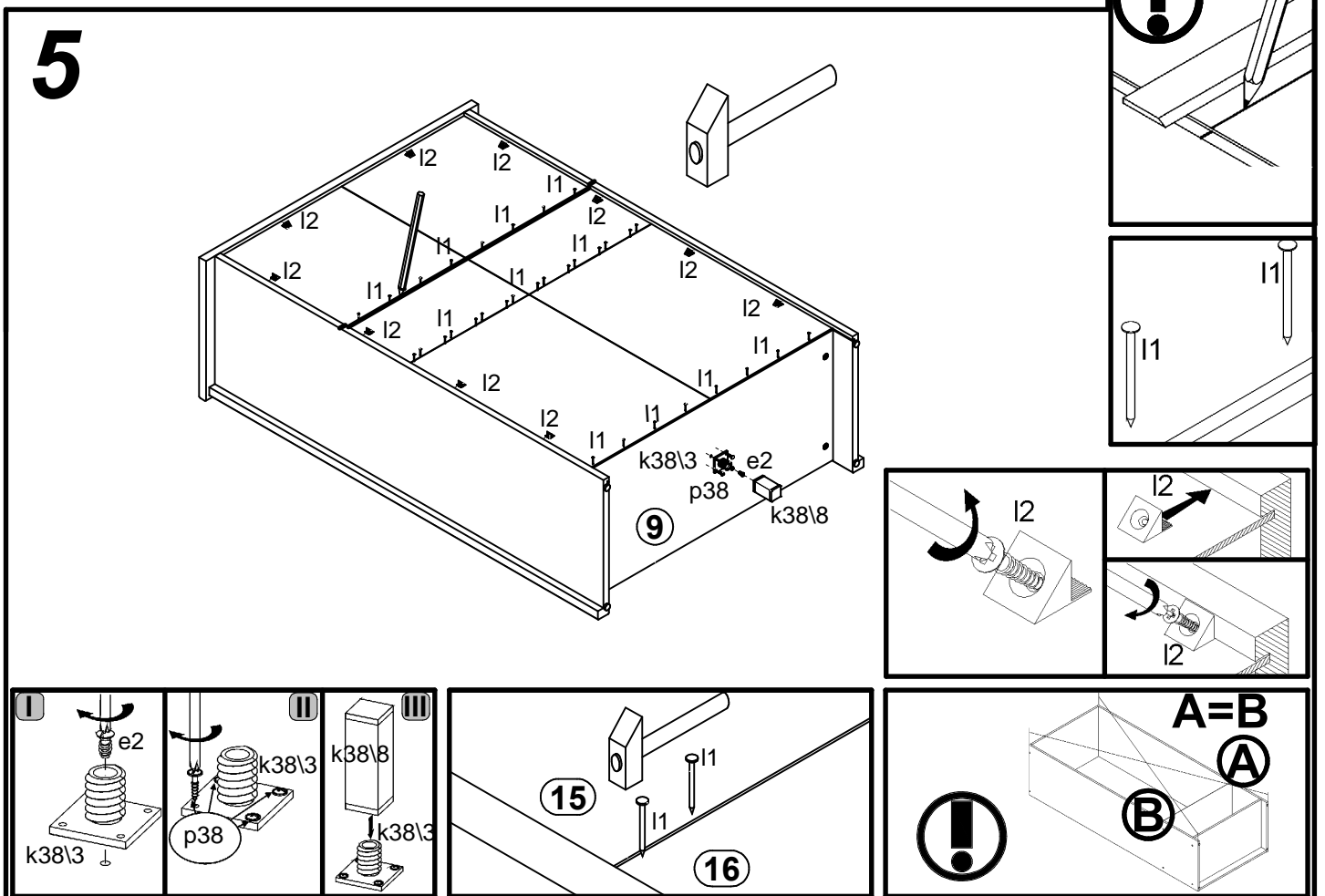
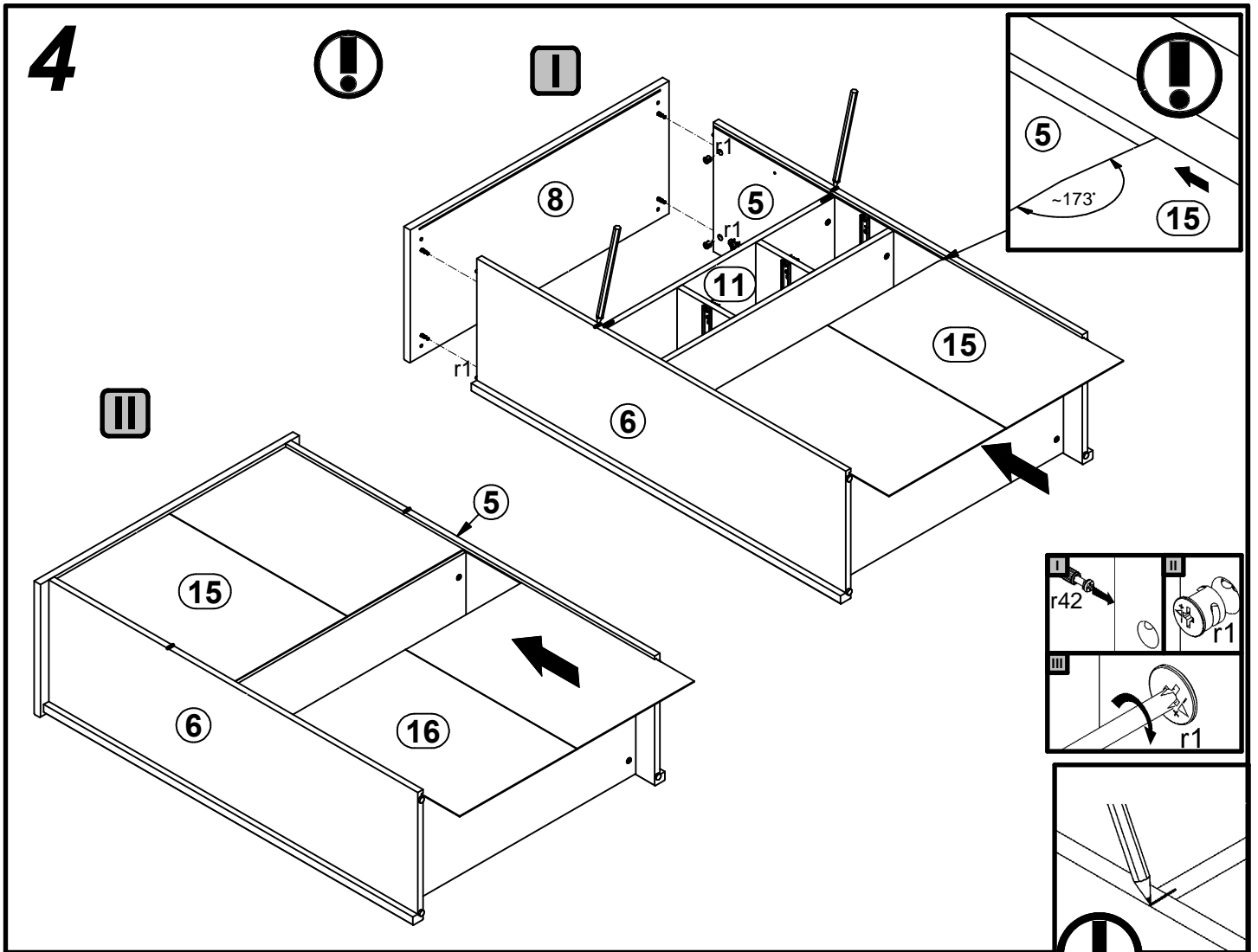


# 2



# 3





# 6

