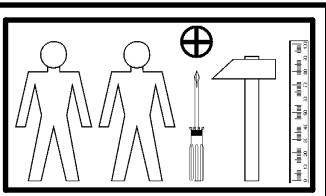
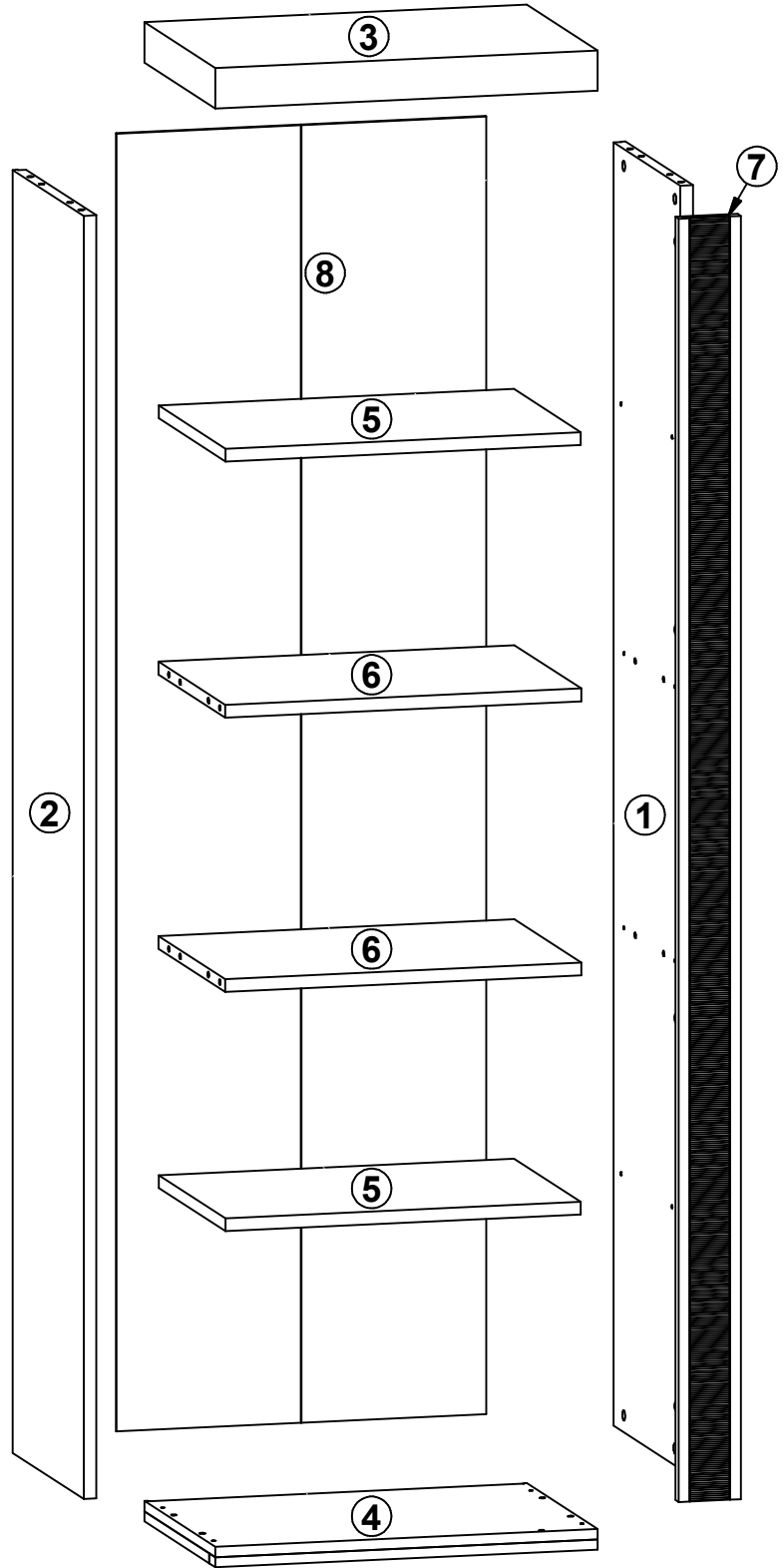
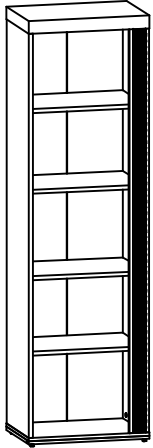
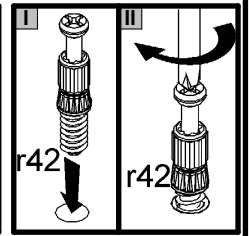
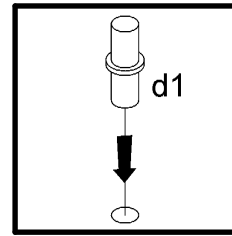
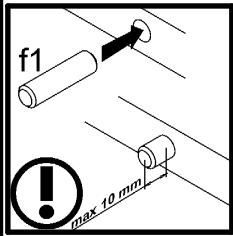
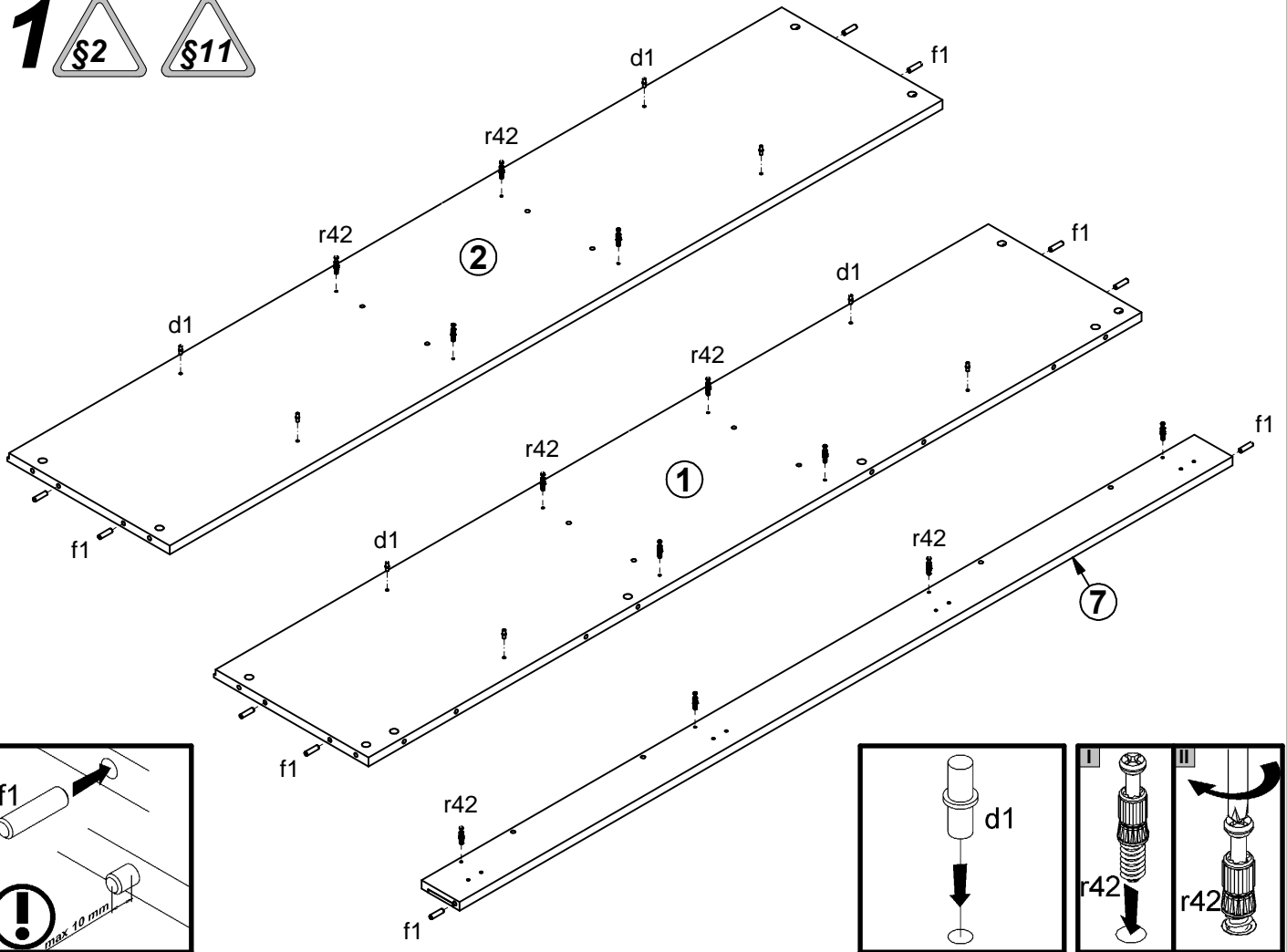


A	B	C	D	
1	S181-102	1904	381	1/3
2	S181-106	1904	400	1/3
3	S181-217	578	400	2/3
4	S181-219	578	400	2/3
5	S181-310	537	376	2/3
6	S181-311	538	377	1/3
7	S181-502	1904	94	3/3
8	S181-904	1926	559	1/3

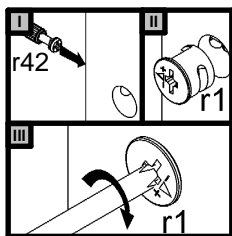
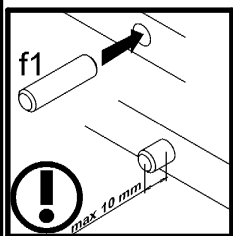
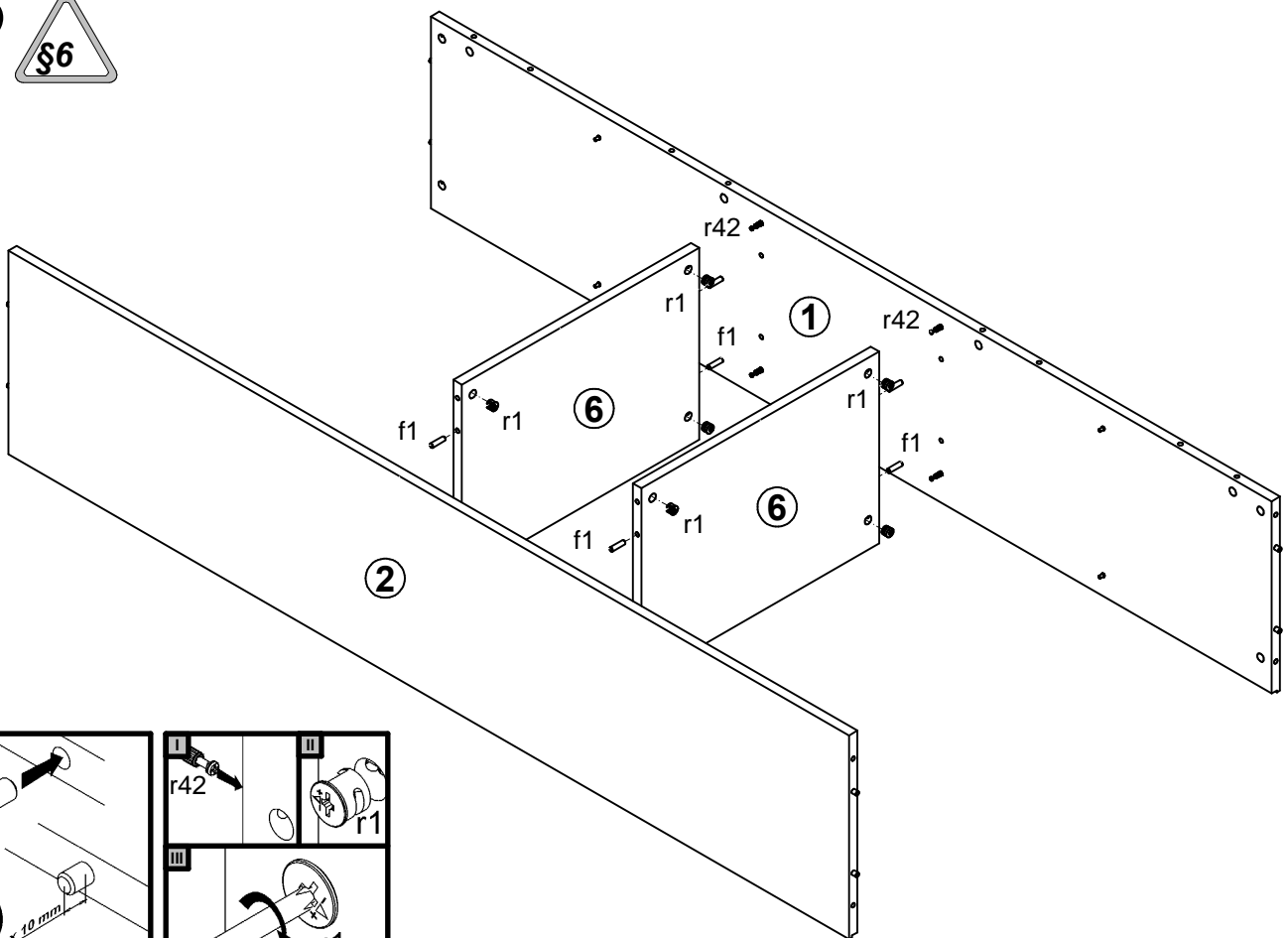


8x ∅5x17 mm d1	22x ∅8x30 mm f1	4x M6/∅14x14 mm k39 2	4x M6/22 mm k39 3	65x l1	20x ∅15x12 mm #16 r1	20x r42	20x ∅ 20mm s68	1x n26 1
1x ∅3.5x16 mm p38								

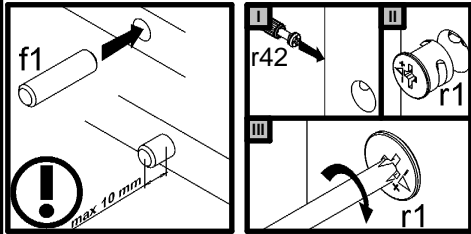
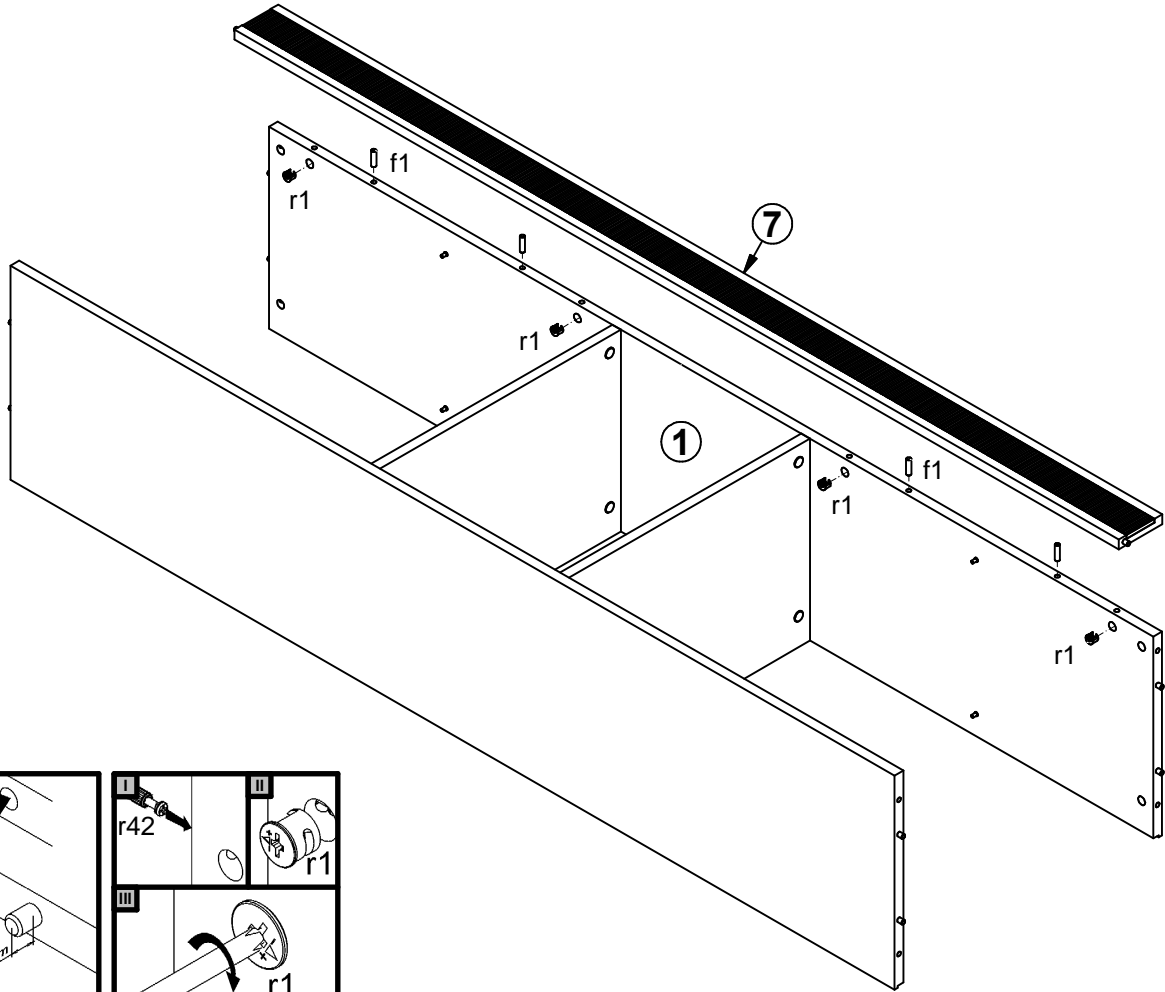
1  



2 



3



4

