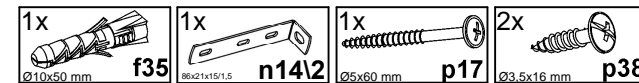
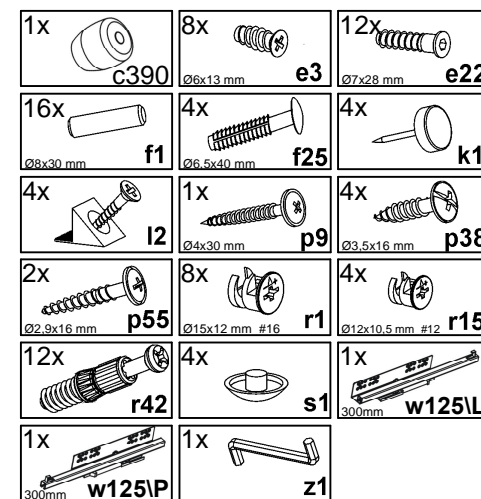
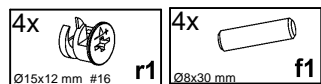
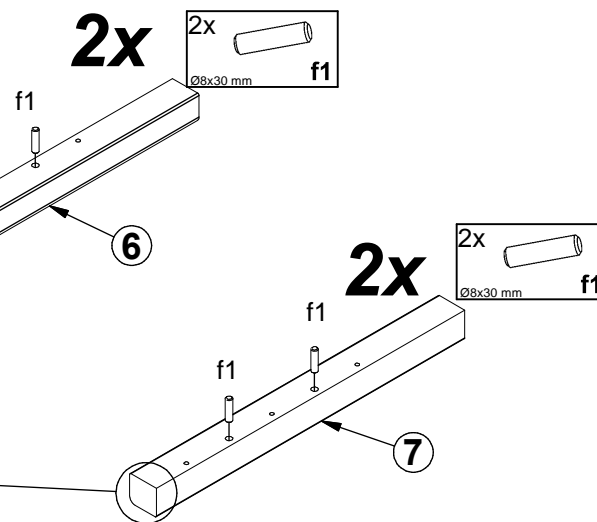
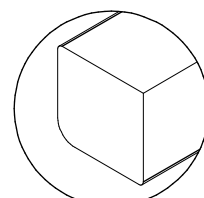
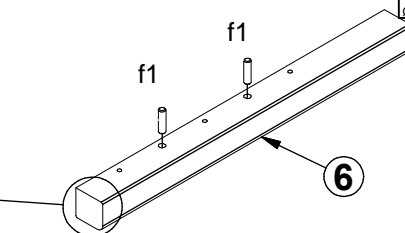
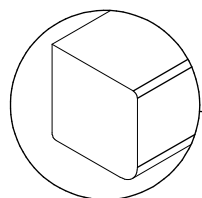
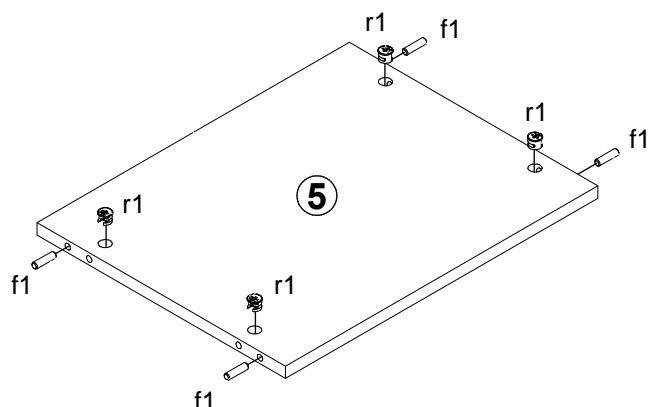
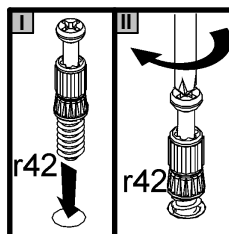
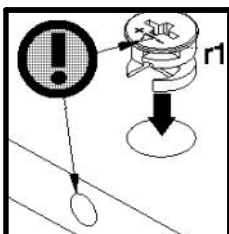
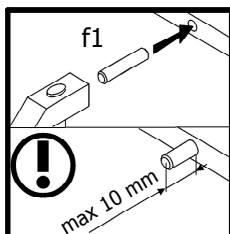
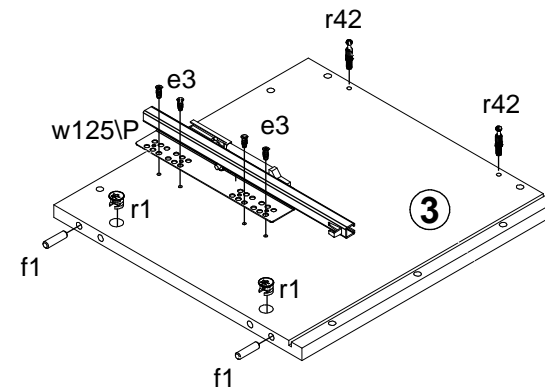
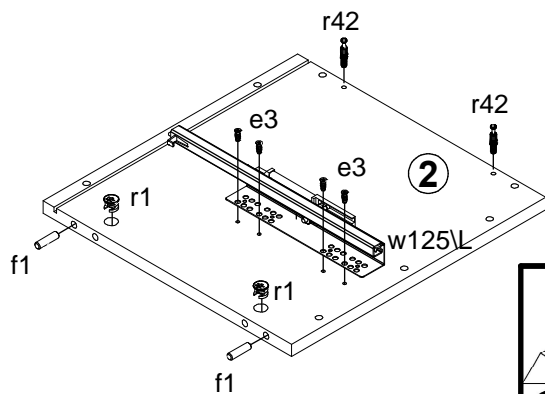
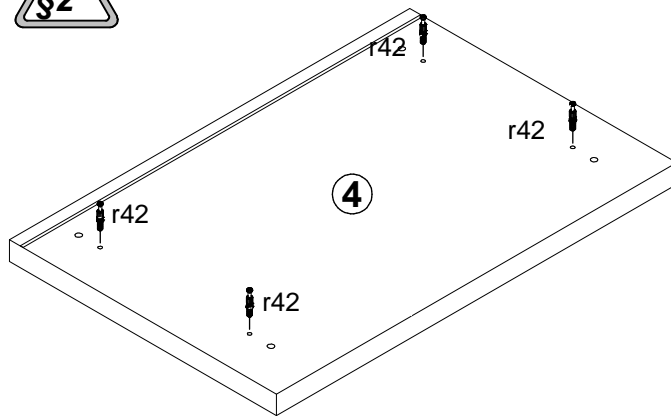
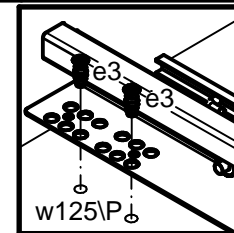
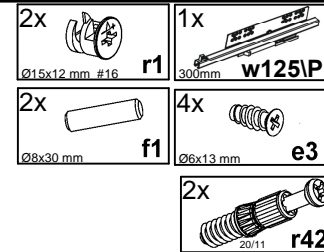
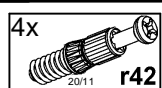
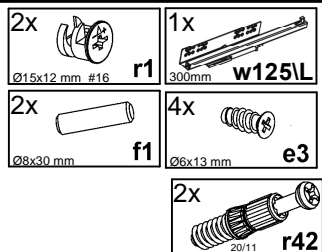
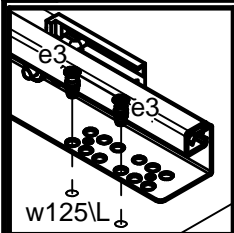


A	B	C1	C2	C3	D
1	L100-0011	150	494	16	1/1
2	L100-1009	381	372	16	1/1
3	L100-1010	381	372	16	1/1
4	L100-2002	600	400	28	1/1
5	L100-3003	468	372	16	1/1
6	L100-5011	462	40	38	1/1
7	L100-5012	462	40	38	1/1
8	L100-9001	374	478	2,5	1/1
9	WSP-9276	438	308	2,5	1/1
10	ZQ6-5067	428	97	15	1/1
11	ZQ6-517	300	110	12	1/1
12	ZQ6-518	300	110	12	1/1




A

# L100-KOM1S/5/6



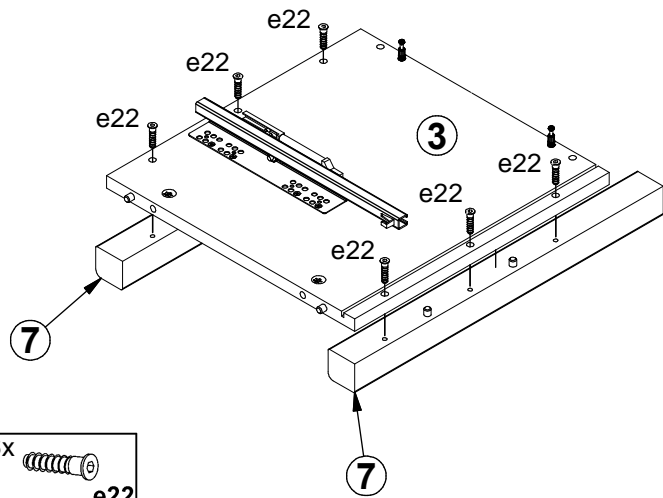
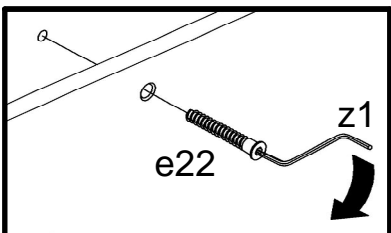
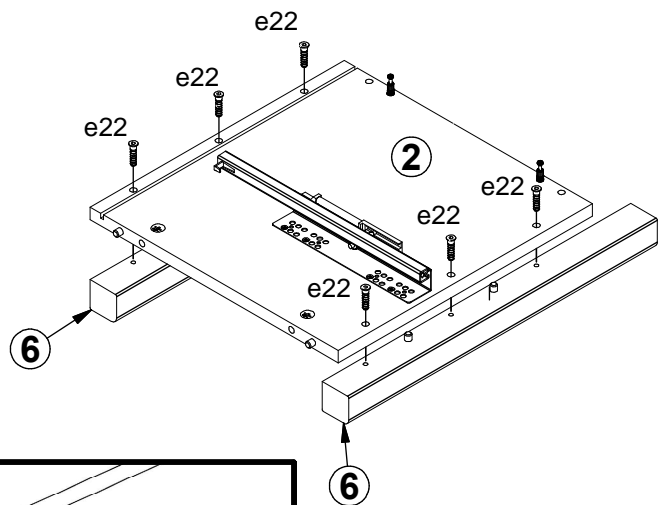
A


# L100-KOM1S/5/6

6x  e22  
Ø7x28 mm

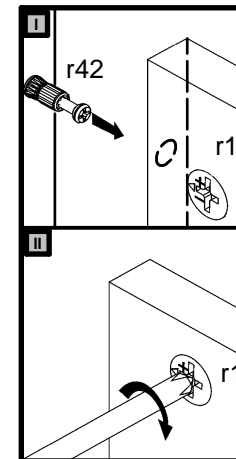
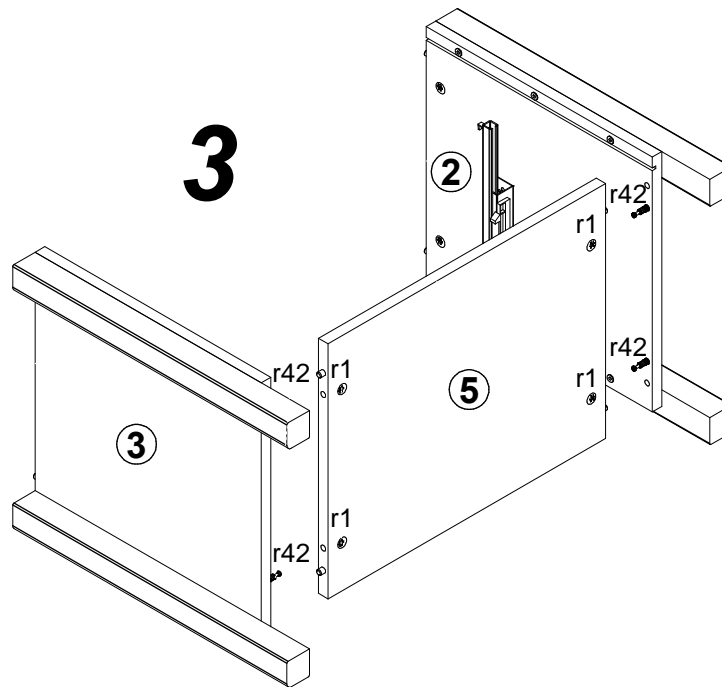


## 2

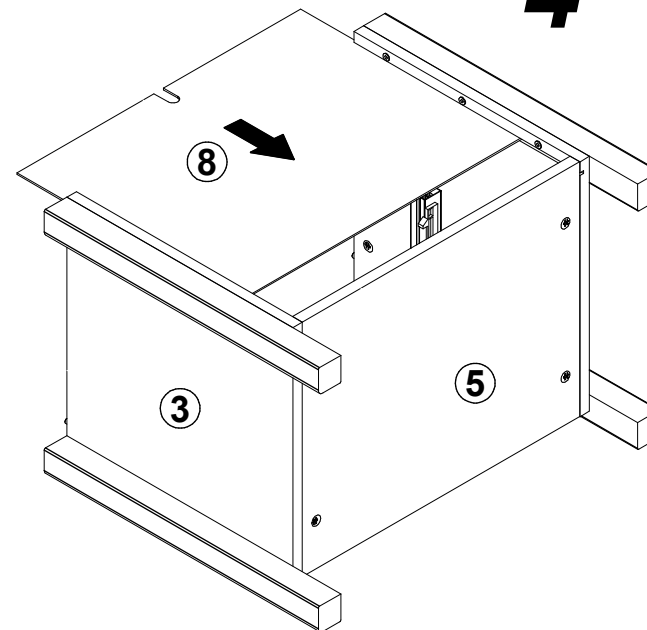


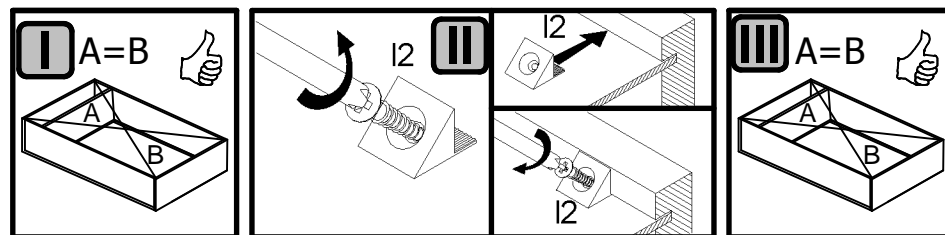
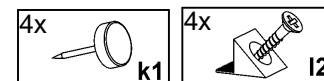
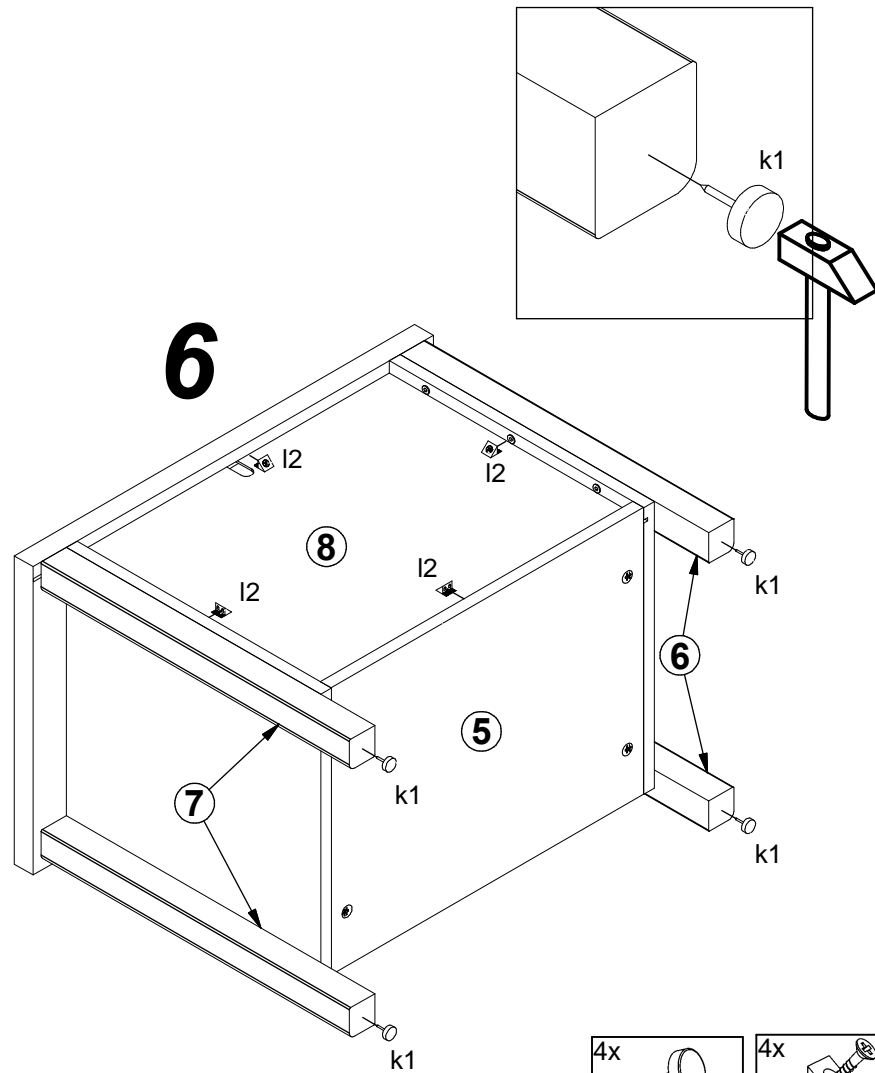
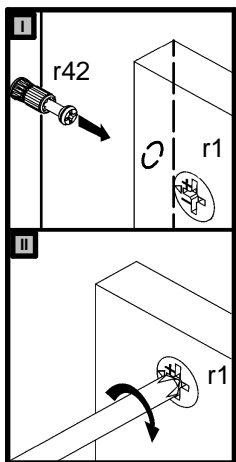
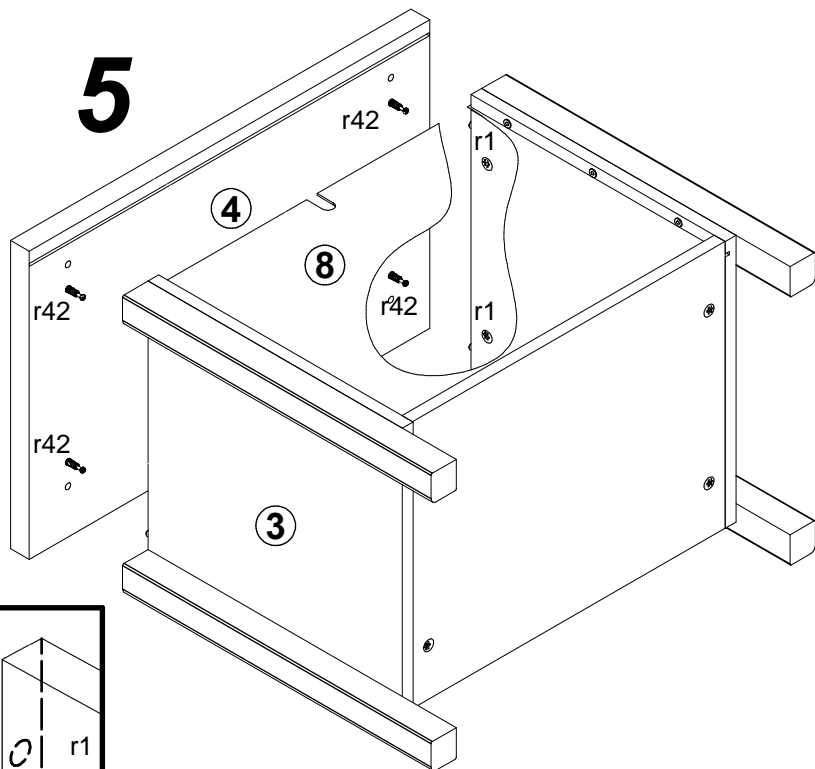
6x  e22  
Ø7x28 mm

## 3



## 4





A

# L100-KOM1S/5/6

# 7

