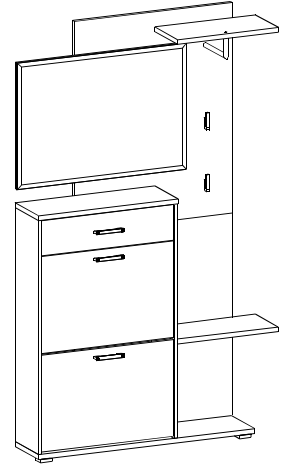
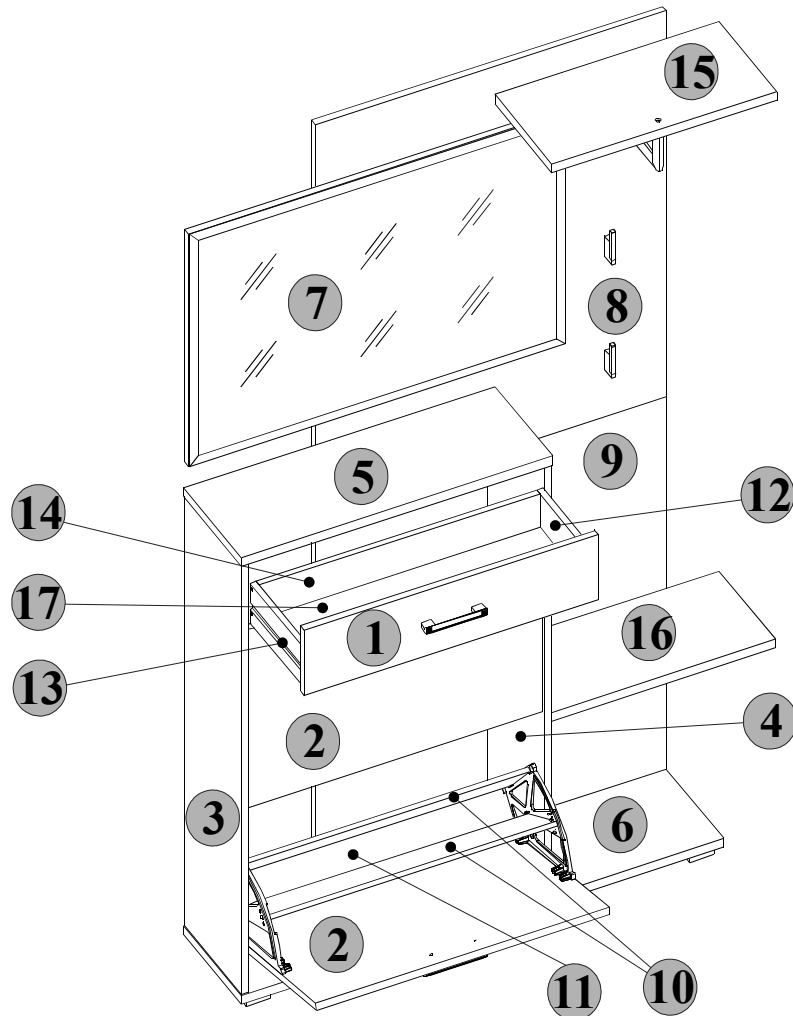
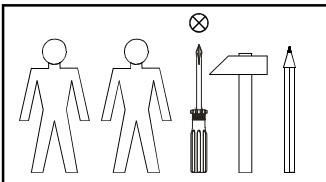


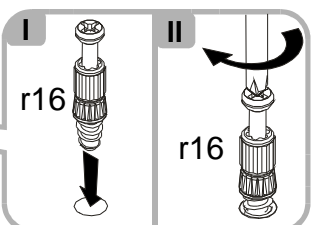
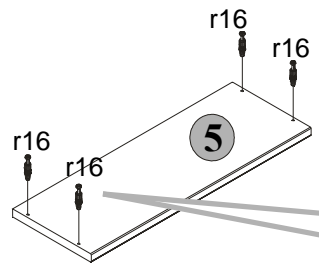
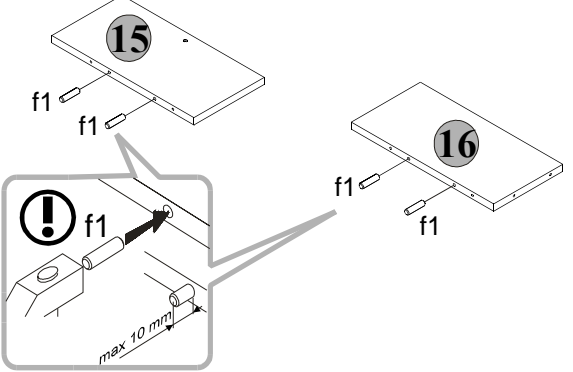
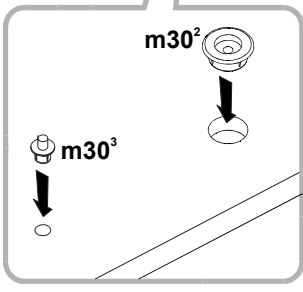
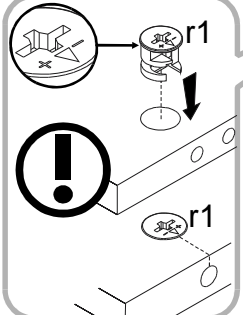
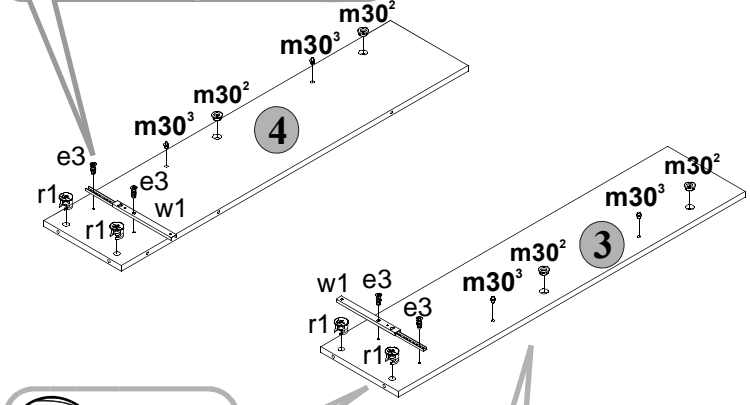
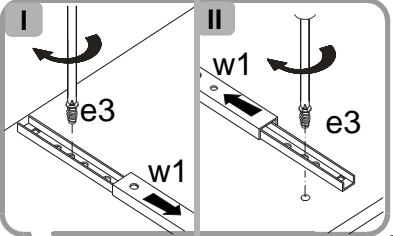
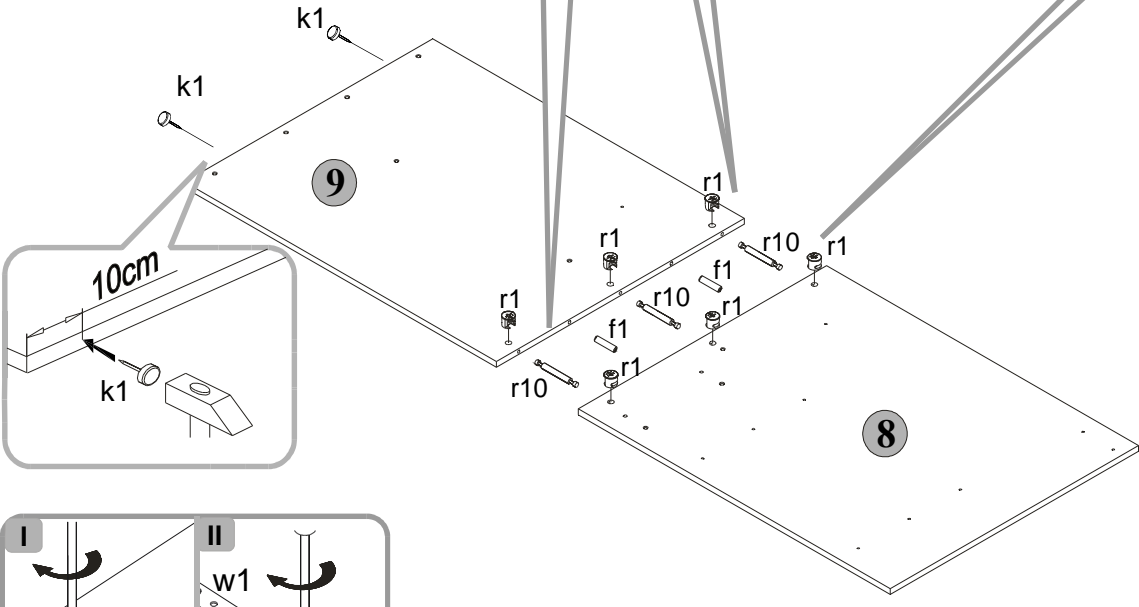
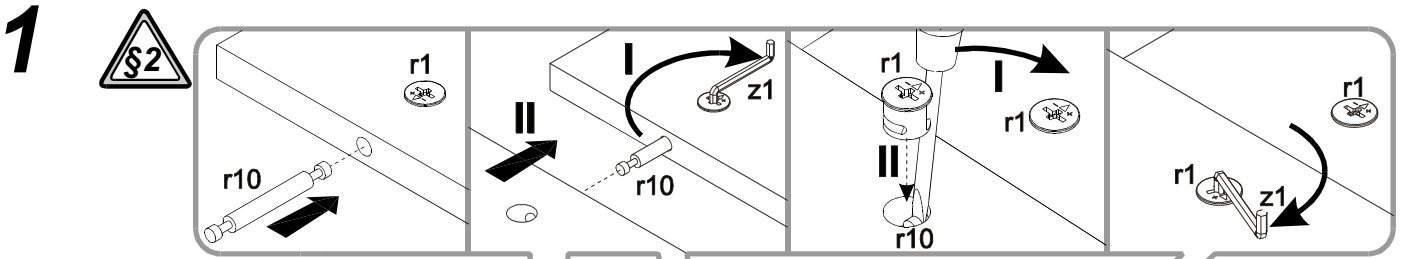
# SEPTEMBER



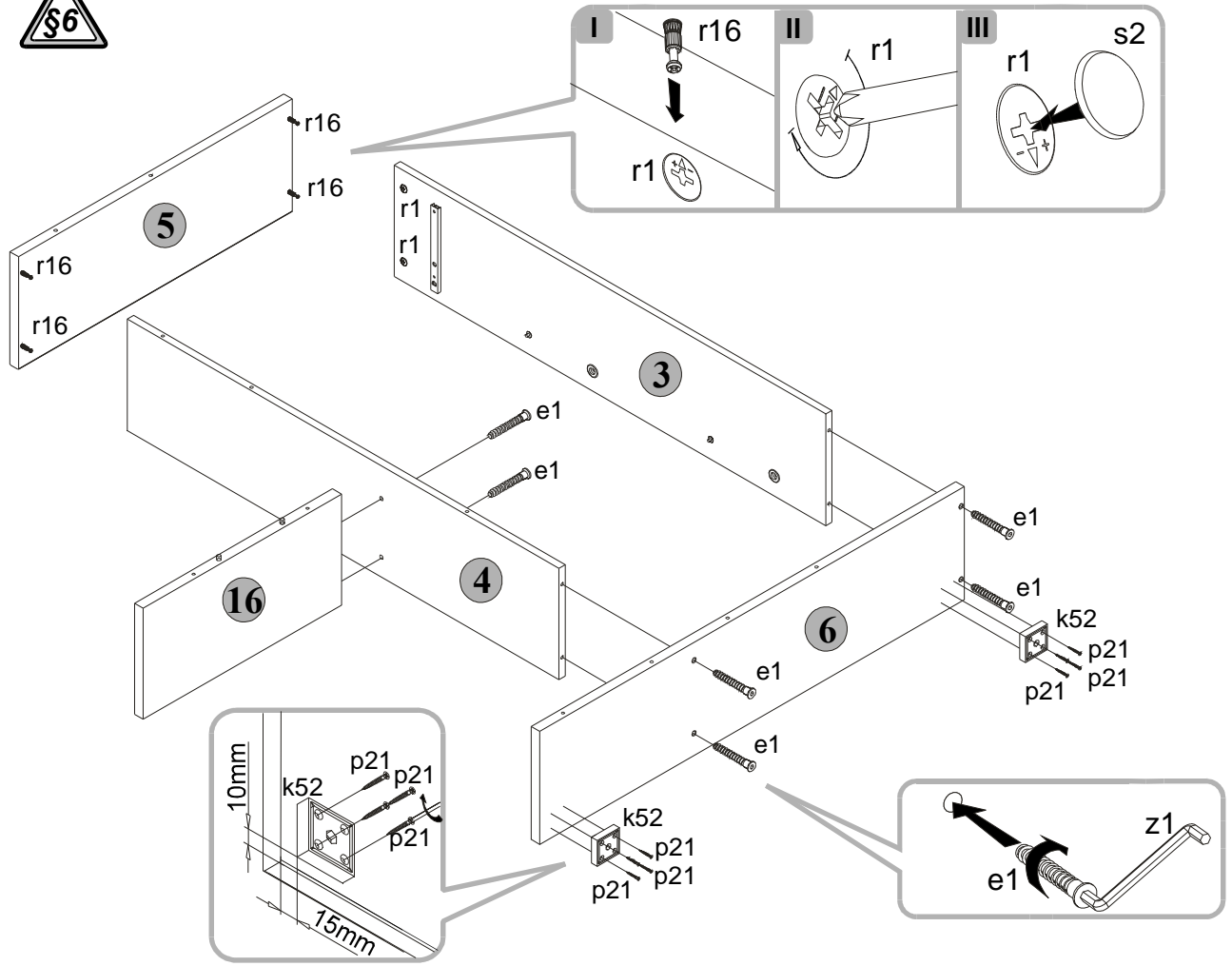
A	B	C	D
1	S19-085	654x166	1/2
2	S19-086	654x450	1/2
3	S19-1199	1090x244	1/2
4	S19-1321	1090x244	1/2
5	S19-287	691x247	1/2
6	S19-2060	1072x247	1/2
7	S19-5503	840x590	2/2
8	S19-5549A	780x980	2/2
9	S19-5550	780x980	2/2
10	S19-5511	644x138	2/2
11	S19-5512	644x90	1/2
12	MZ1-532	220x100	1/2
13	MZ1-533	220x100	1/2
14	MZ1-534	626x100	1/2
15	S19-3381	500x247	1/2
16	S19-3382	500x243	1/2
17	S19-9922	637x219	1/2



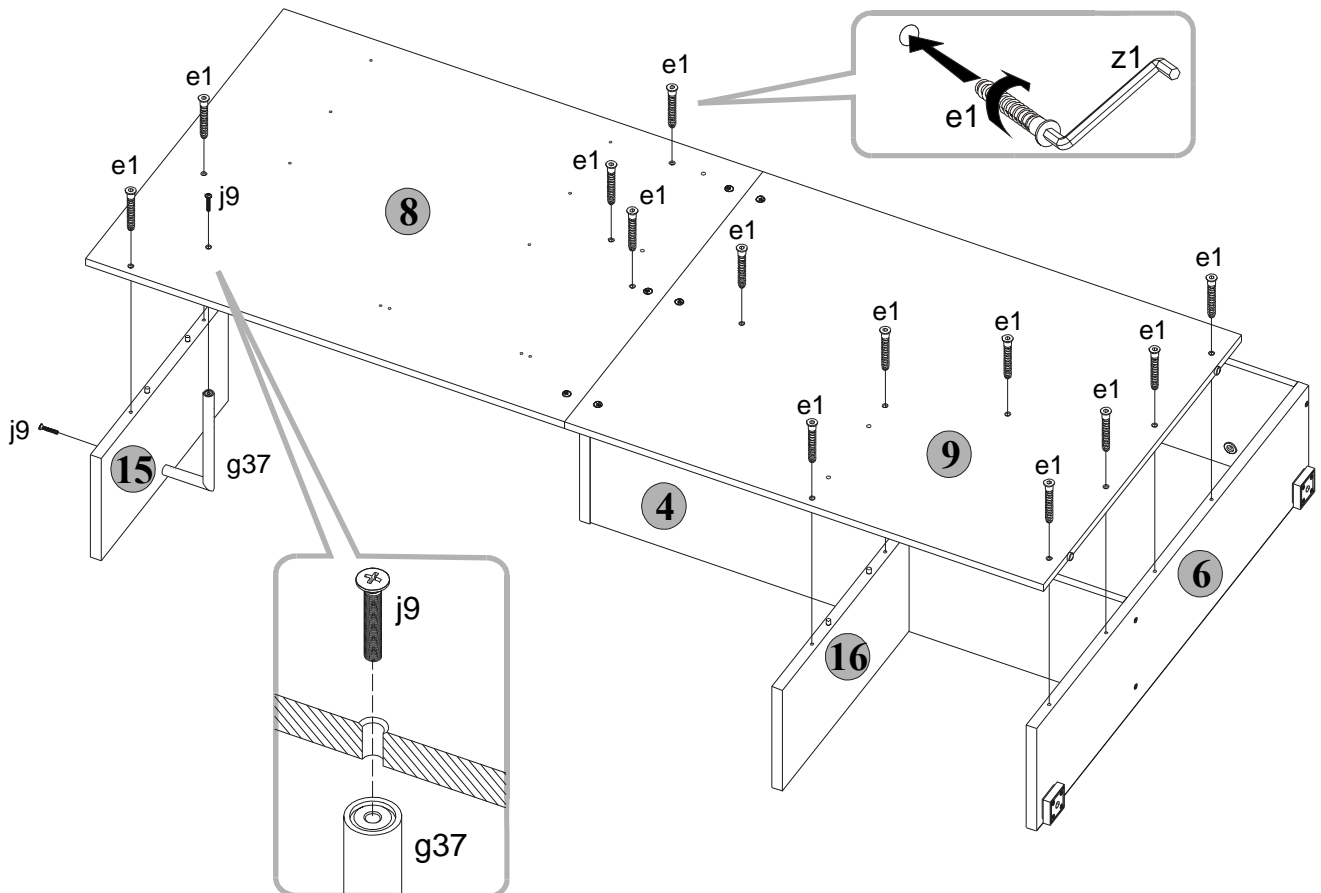
10x $\phi 8 \times 30$ mm f1		4x $\phi 6.5 \times 40$ mm f25	2x  M4x9 mm j2	3x  c183	2x  c325	1x  g37	19x $\phi 7.5 \times 50$ mm e1	8x $\phi 6 \times 13$ mm e3
4x  m30²	4x  m30³	2x  m30-L	2x  m30-P	4x $\phi 4 \times 35$ mm p26	2x  M6x30 mm j9	2x  k1	2x  56x56x20 mm k52	4x  m30¹
10x $\phi 15 \times 12$ mm #16 r1	3x  r10	4x  r16	4x $\phi 16$ s2	2x $\phi 8 \times 40$ mm f34	12x $\phi 2.5 \times 13$ mm p15	8x $\phi 4 \times 30$ mm p21	6x $\phi 4 \times 25$ mm p36	12x $\phi 3.5 \times 16$ mm p38
1x  GLUB y1		2x  185 mm w1		1x $\phi 5 \times 60$ mm p76		1x  z1		



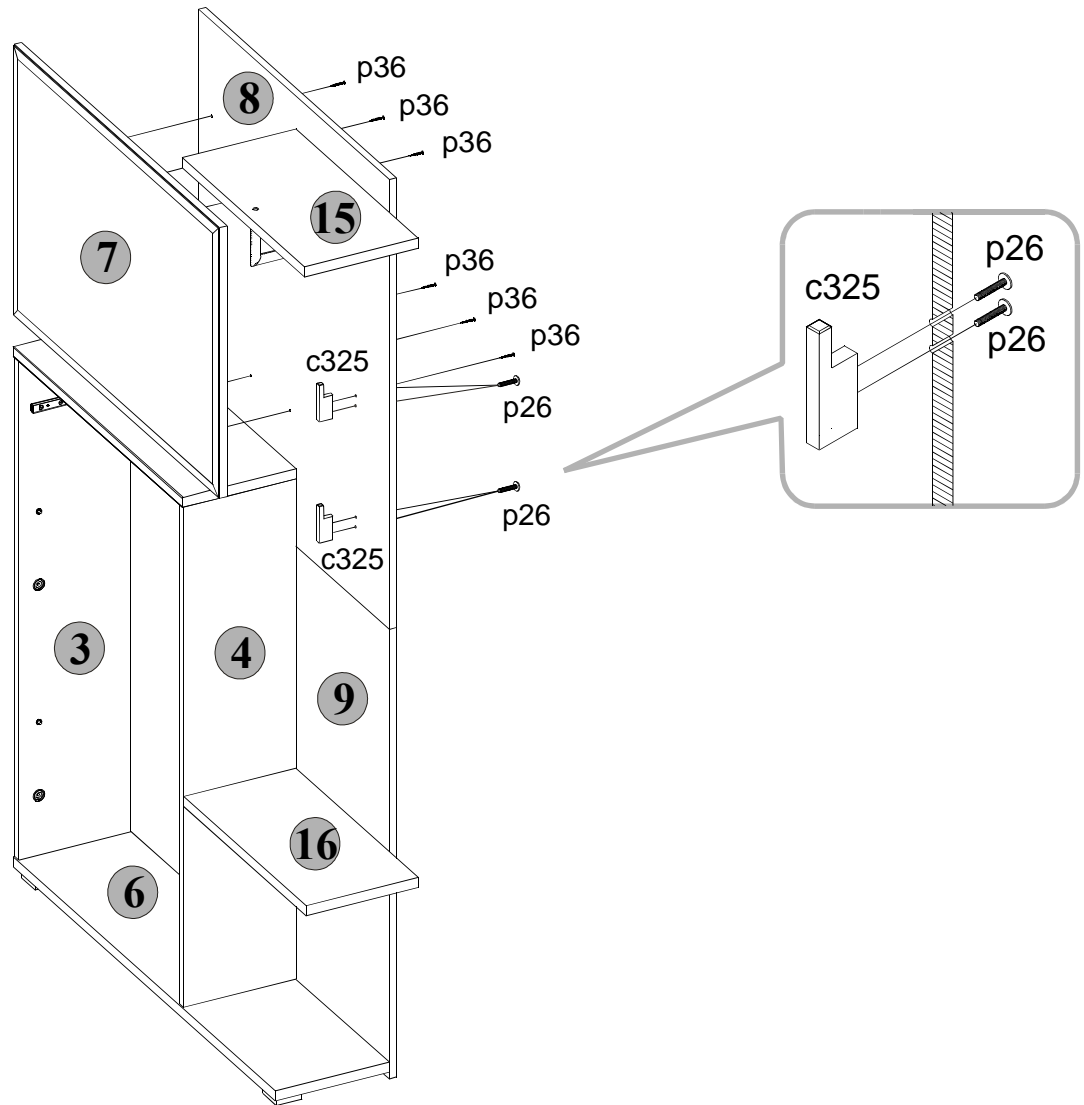
# 2



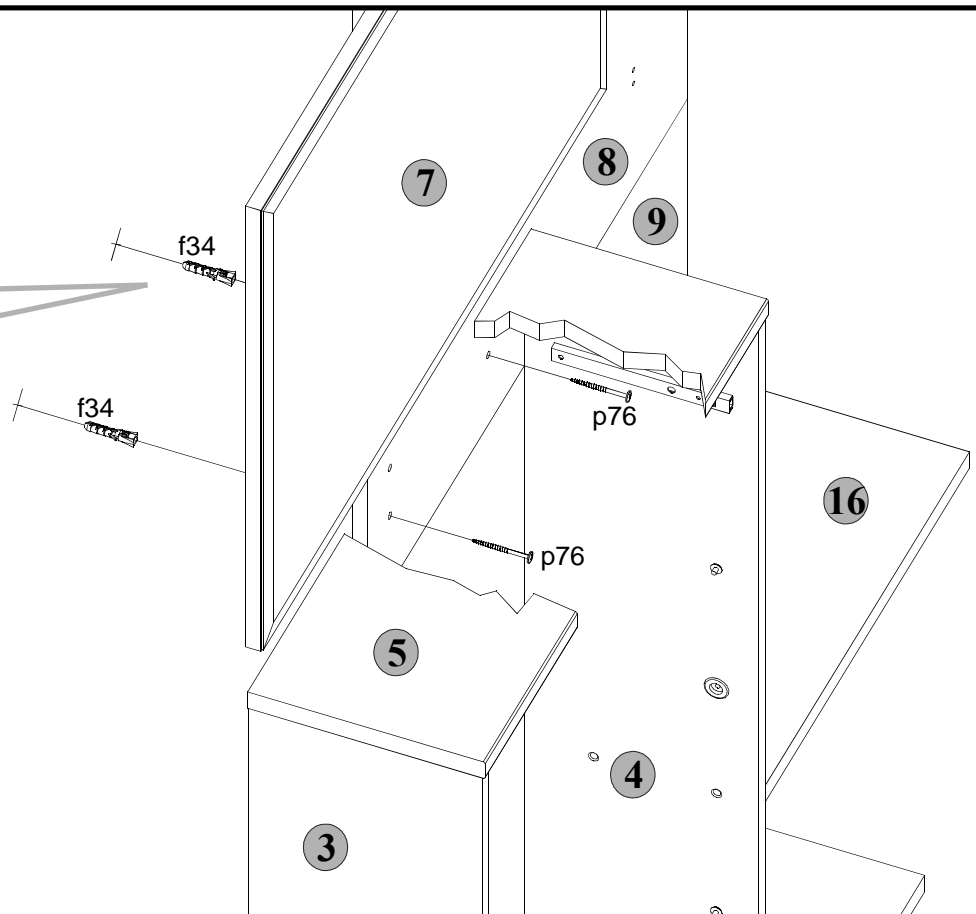
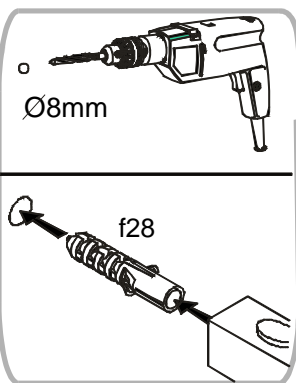
# 3

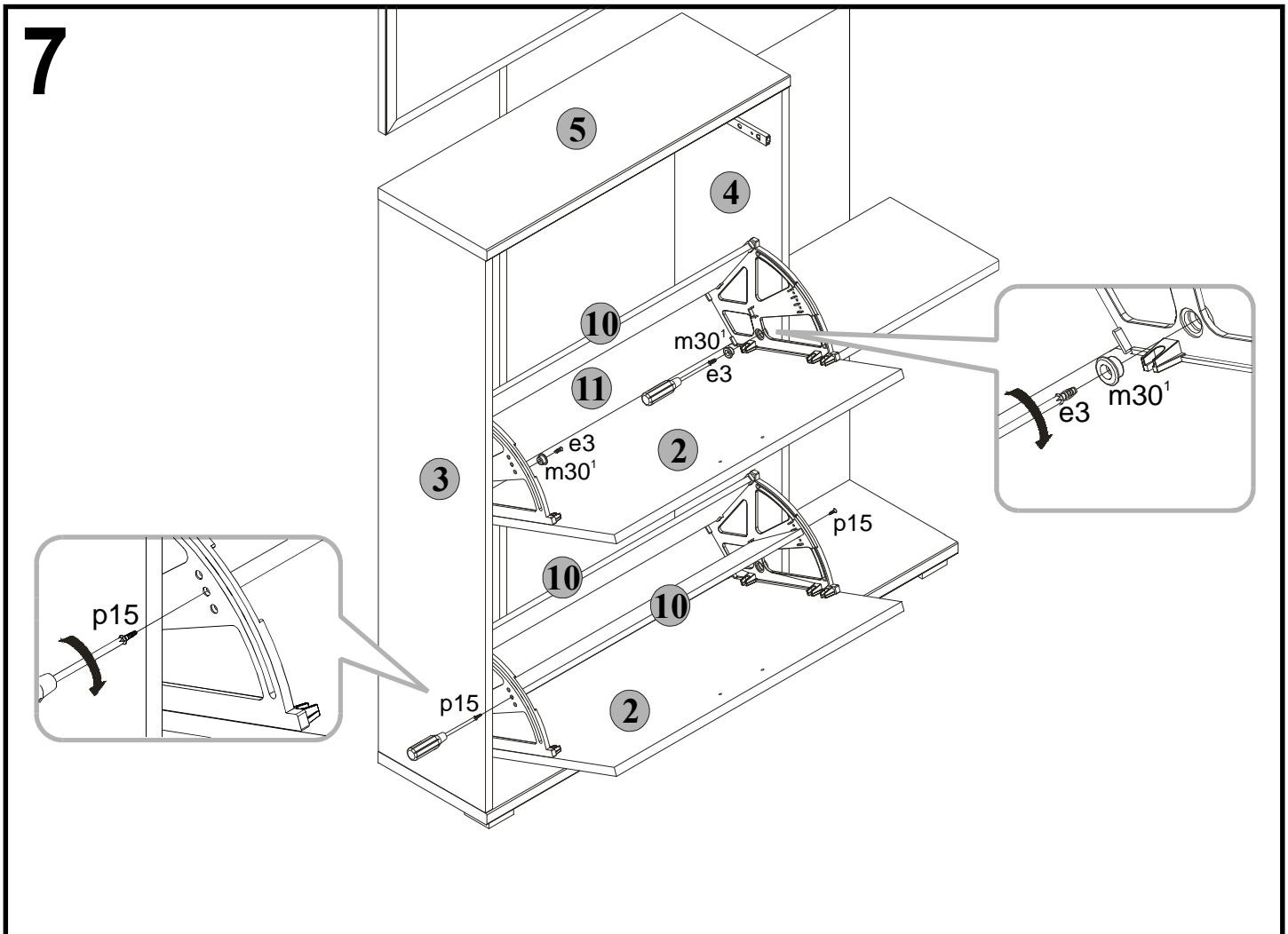
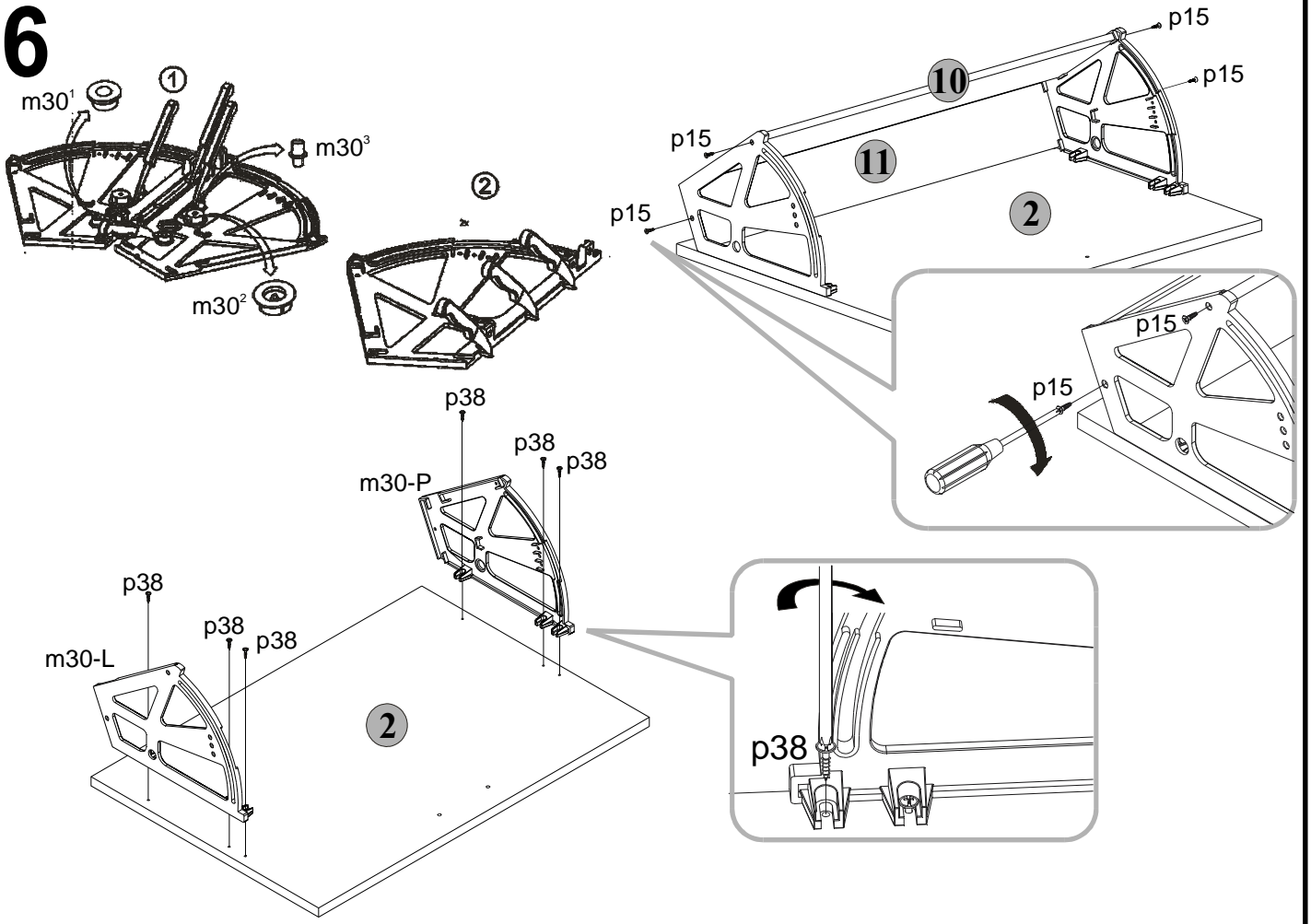


# 4

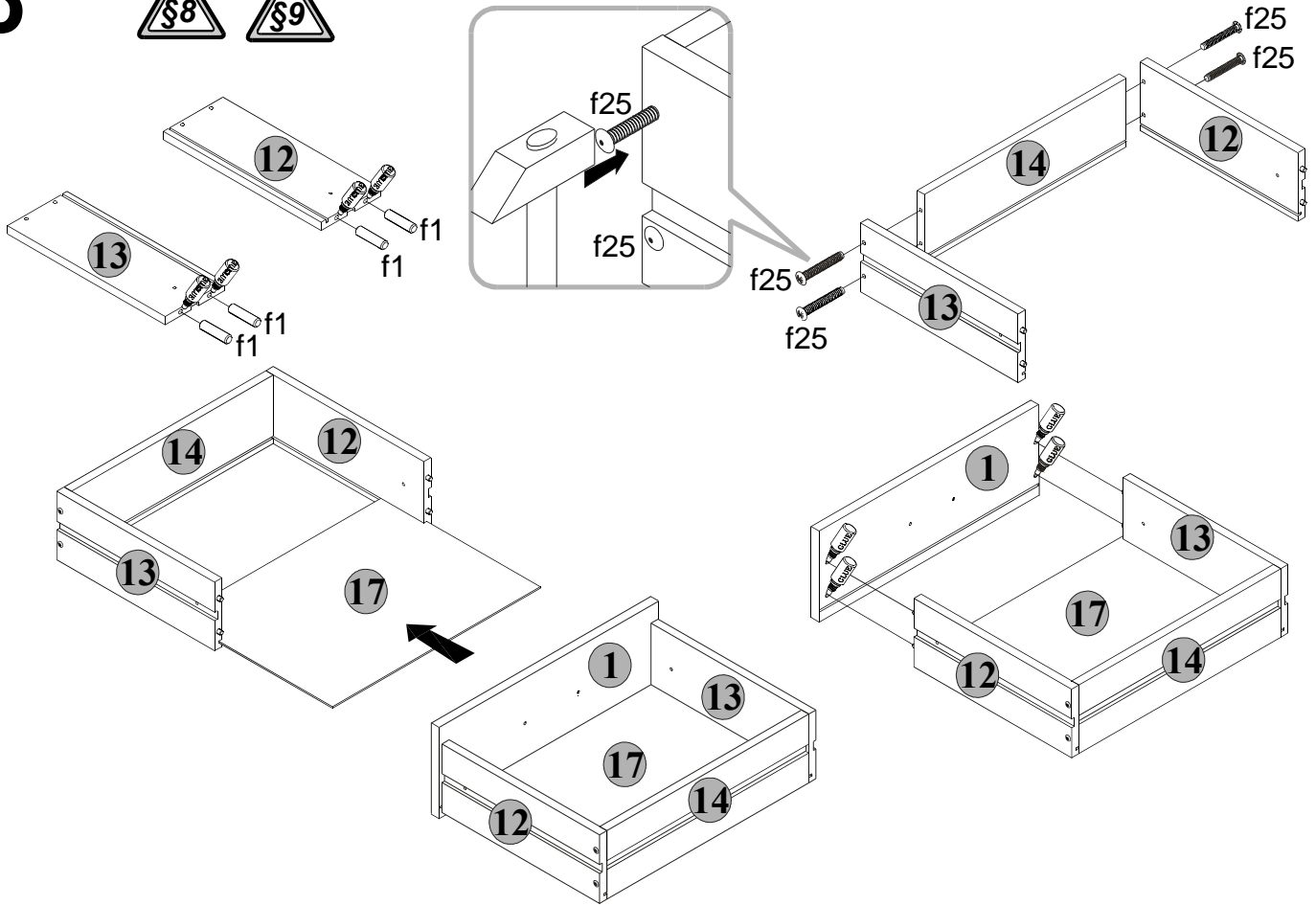


# 5





# 8



# 9

