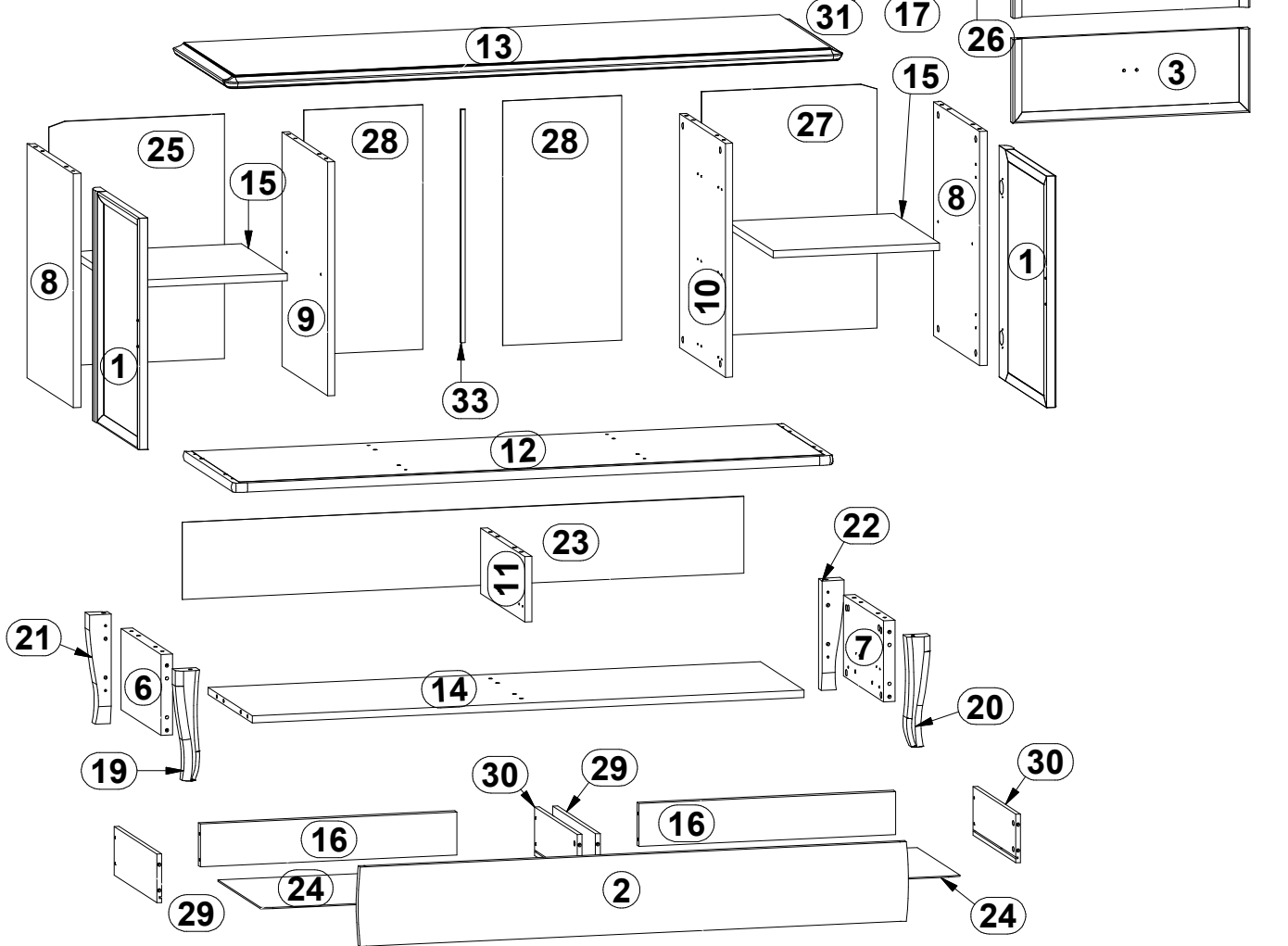
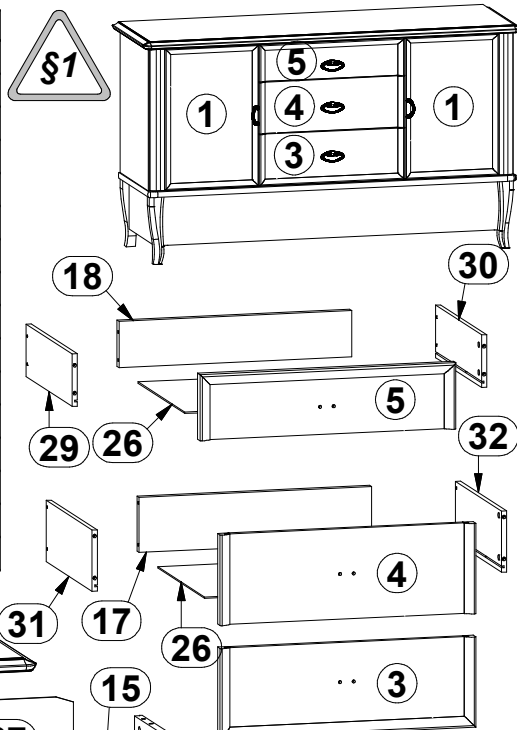


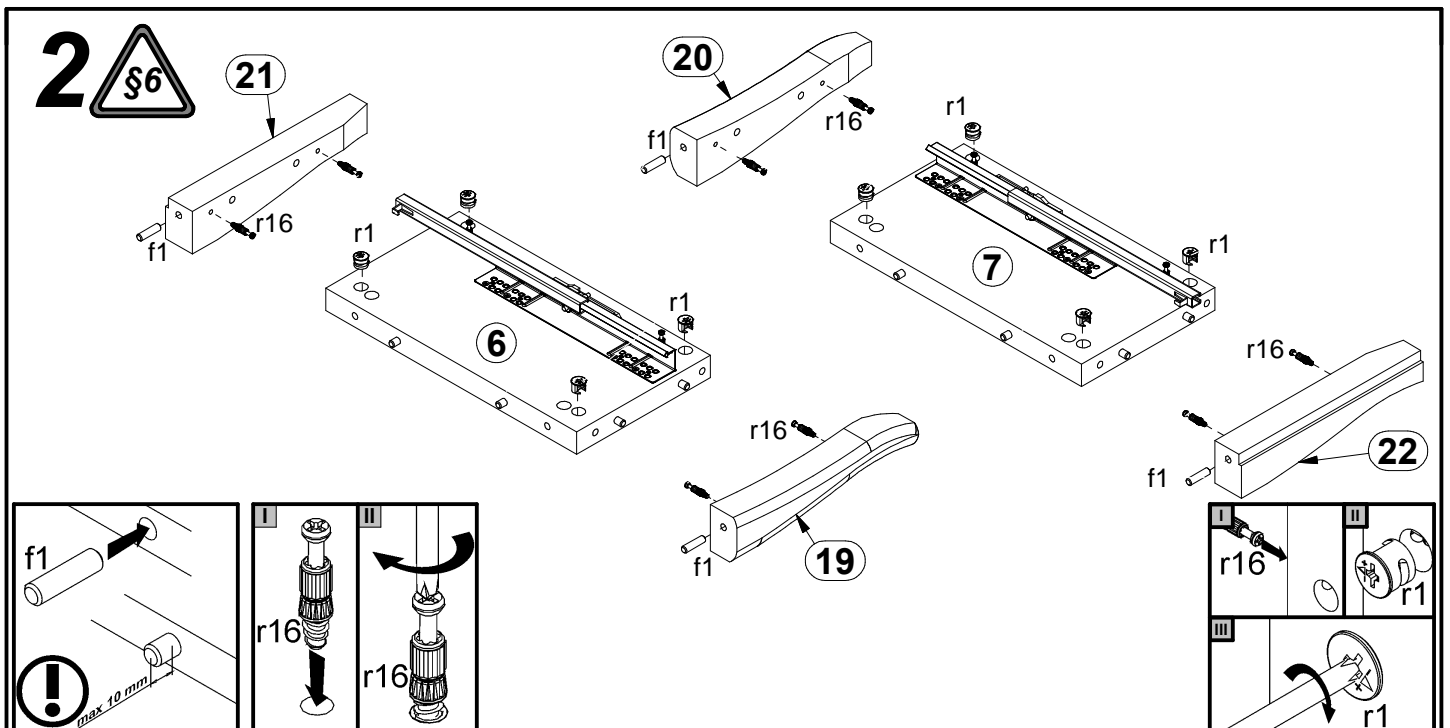
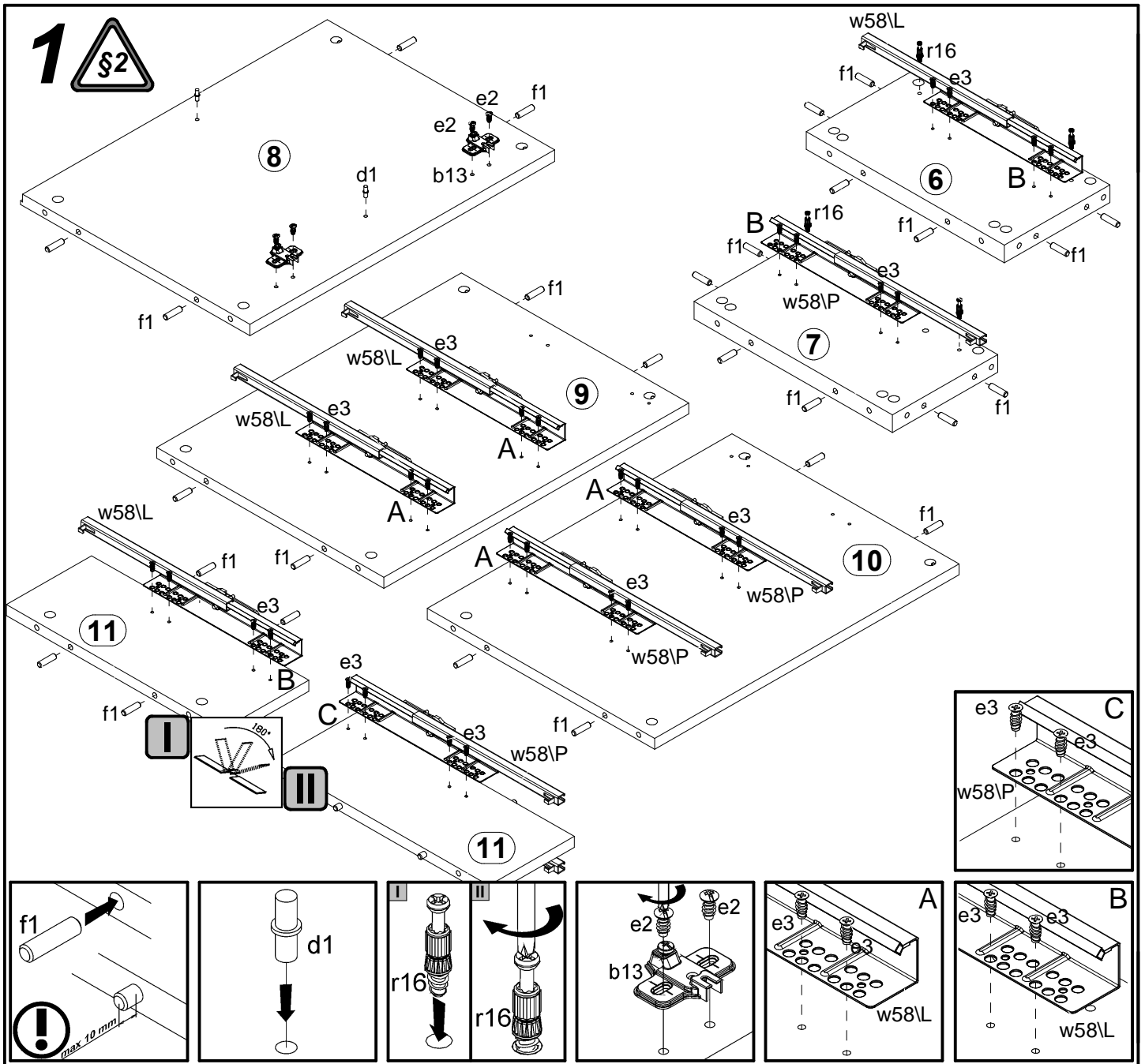
ORLAND

S71-KOM2D4S/150

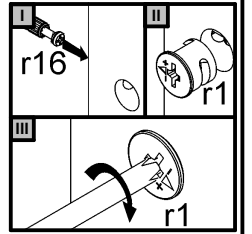
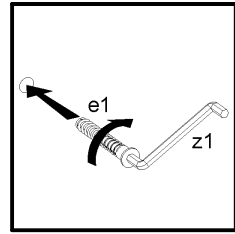
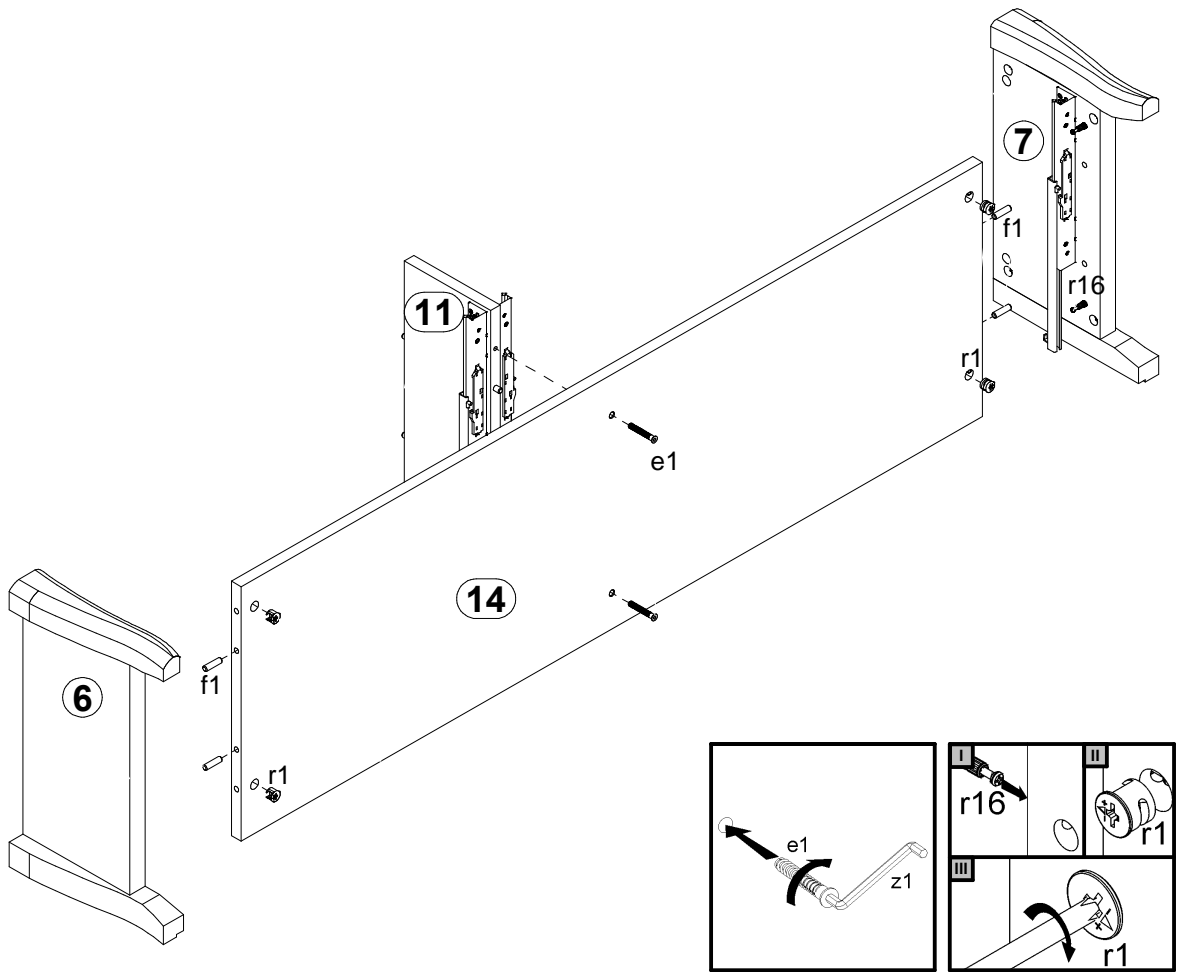
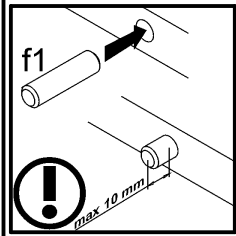
A	B	C	D	A	B	C	D		
1	S71-001	572	446	5/6	18	S71-507	542	106	2/6
2	S71-003	1384	196	2/6	19	S71-571	272	60	4/6
3	S71-004	596	207	6/6	20	S71-572	272	60	4/6
4	S71-005	596	207	6/6	21	S71-573	272	55	4/6
5	S71-006	596	151	6/6	22	S71-574	272	55	4/6
6	S71-101	200	376	1/6	23	S71-904	190	1412	3/6
7	S71-102	200	376	1/6	24	S71-905	656	406	2/6
8	S71-103	578	435	1/6	25	S71-906	604	441	3/6
9	S71-104	578	431	1/6	26	S71-908	553	406	2/6
10	S71-105	578	431	1/6	27	S71-909	604	441	3/6
11	S71-106	162	412	1/6	28	S71-937	604	299	2/6
12	S71-203	1512	468	3/6	29	ZS1-3501	400	120	2/6
13	S71-204	1552	507	3/6	30	ZS1-3502	400	120	2/6
14	S71-303	1388	412	2/6	31	ZS1-3503	400	140	2/6
15	S71-304	419	430	1/6	32	ZS1-3504	400	140	2/6
16	S71-505	645	106	2/6	33	lh-576	576	12	3/6
17	S71-506	542	126	2/6					



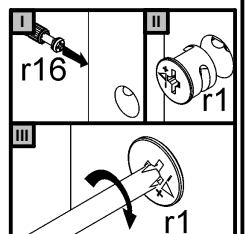
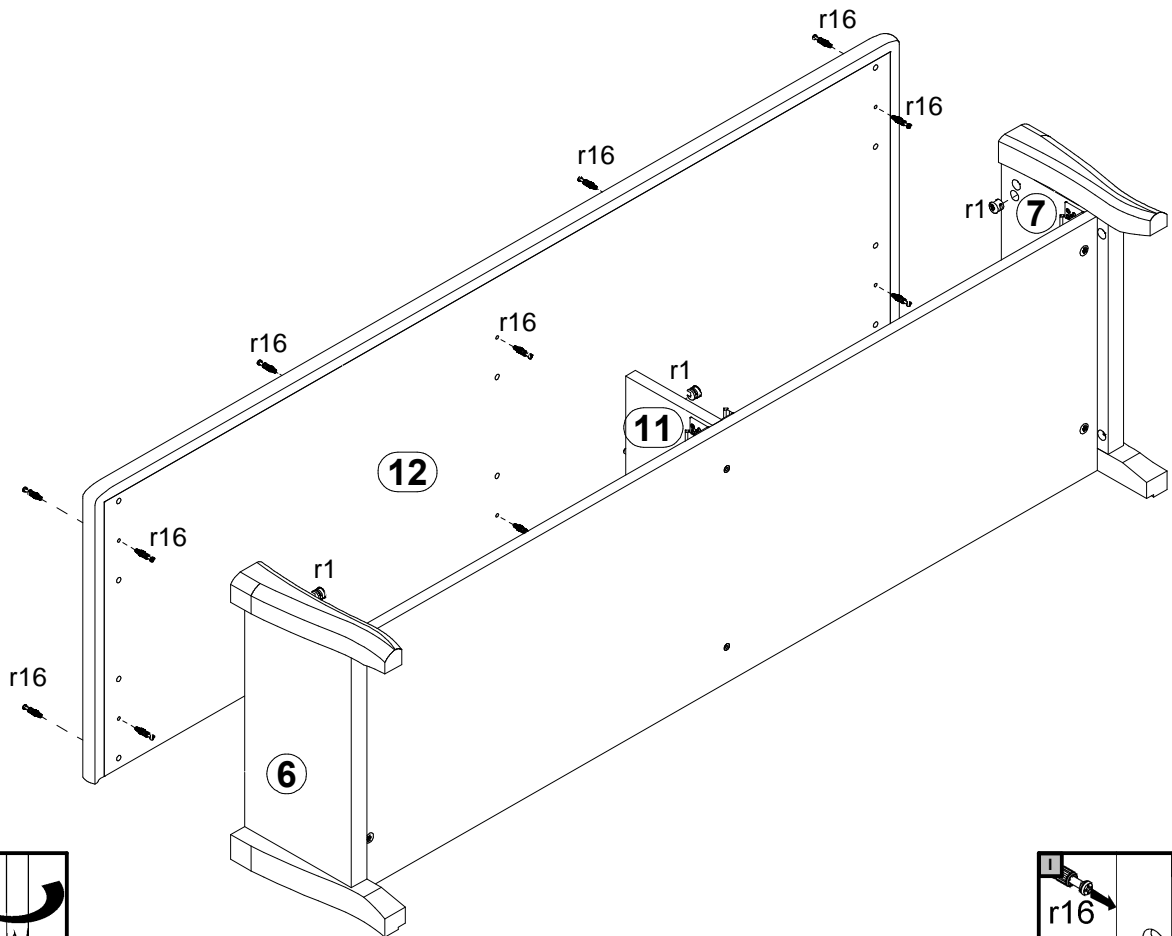
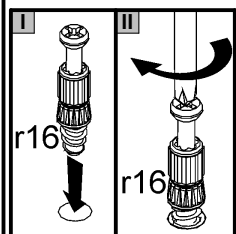
4x a29	4x b13	2x c227 64 mm	3x c228 32 mm	8x d1 φ5x17 mm	2x e1 φ7x50 mm	8x e2 φ6,3x13 mm	40x e3 φ6x13 mm	40x f1 φ8x30 mm
20x f25 φ6,5x40 mm	6x j2 M4x9 mm	4x j118 M4x30 mm	75x l1	4x p25 φ3,5x16 mm	27x p38 φ3,5x16 mm	8x p51 φ3,5x15 mm	34x r1 φ15x12mm #16	20x r15 φ12x10,5mm #12
54x r16	10x s2 ø16	2x t33 400 mm	5x w58/L Quilô L-400 mm	5x w58/P Quilô L-400 mm	1x z1	1x n26/l1	1x p38 φ3,5x16 mm	



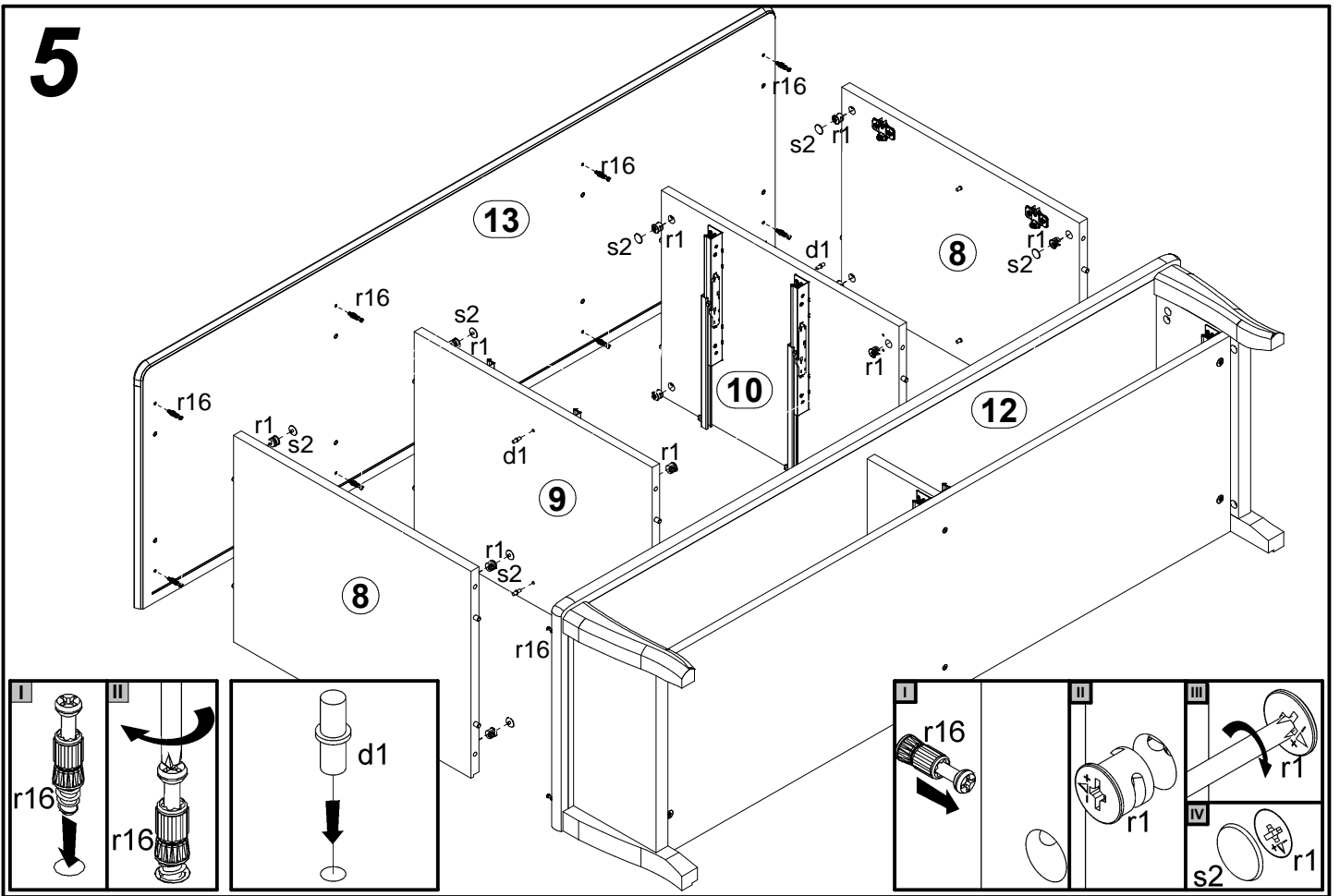
3



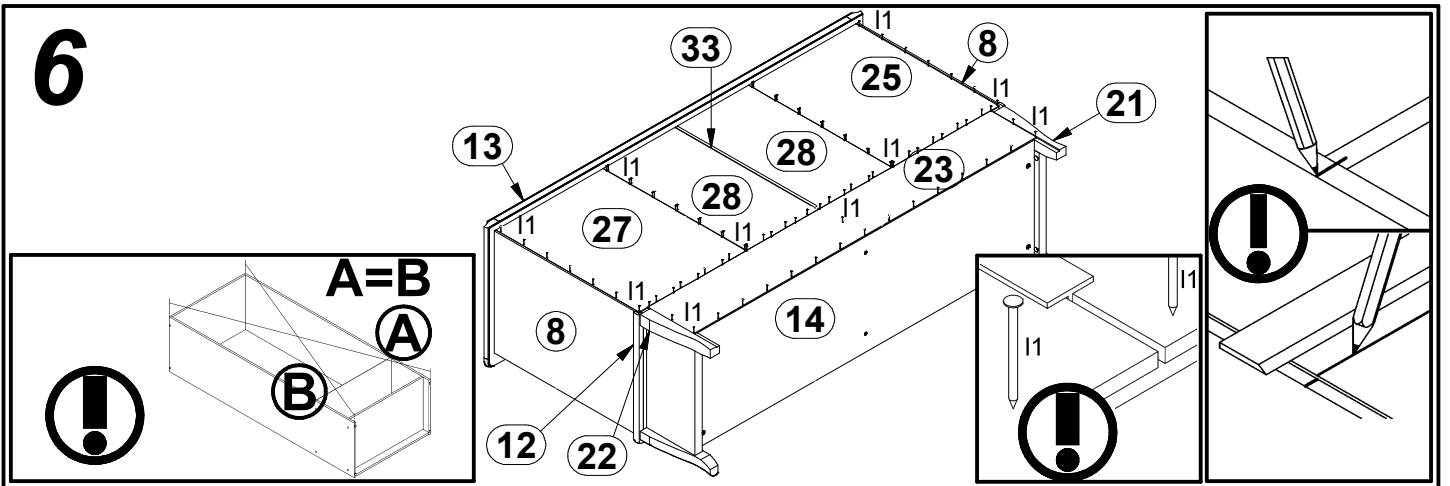
4



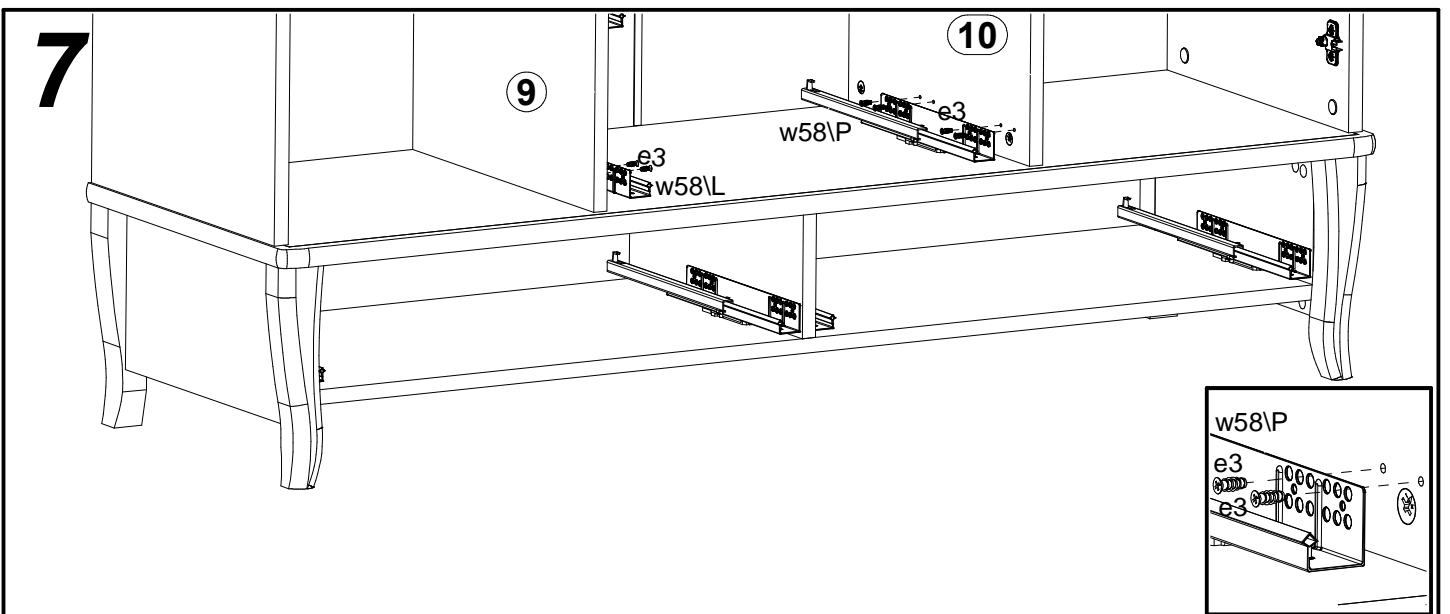
5



6

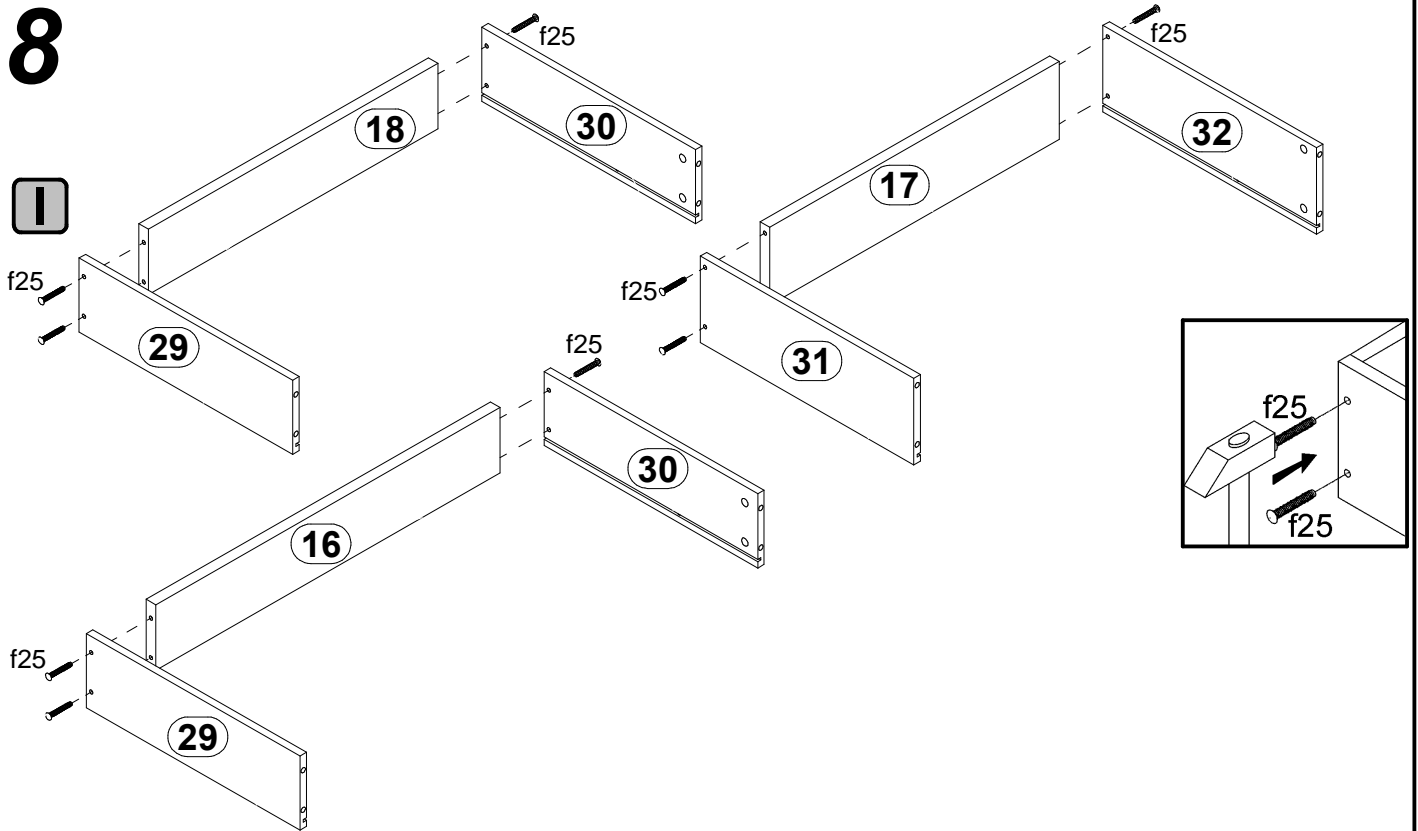


7



8

I



II

