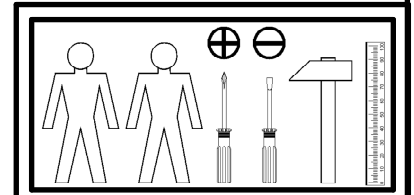
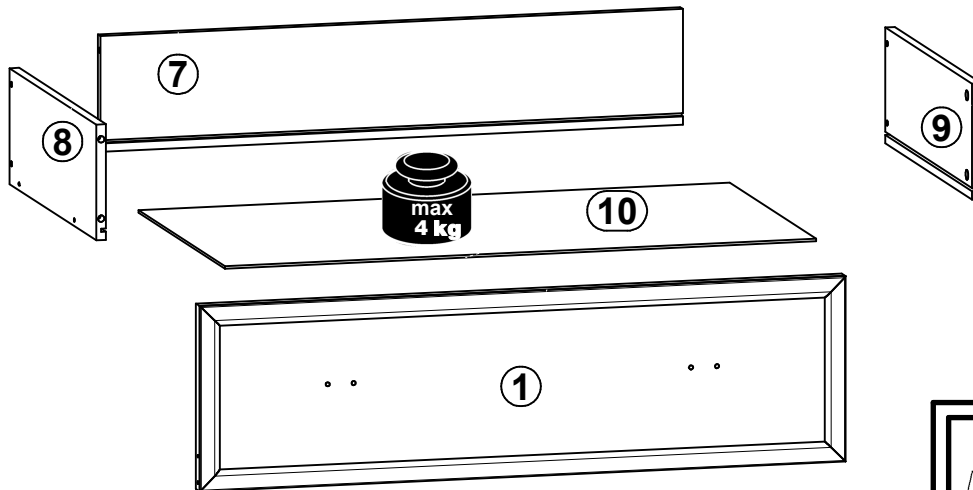
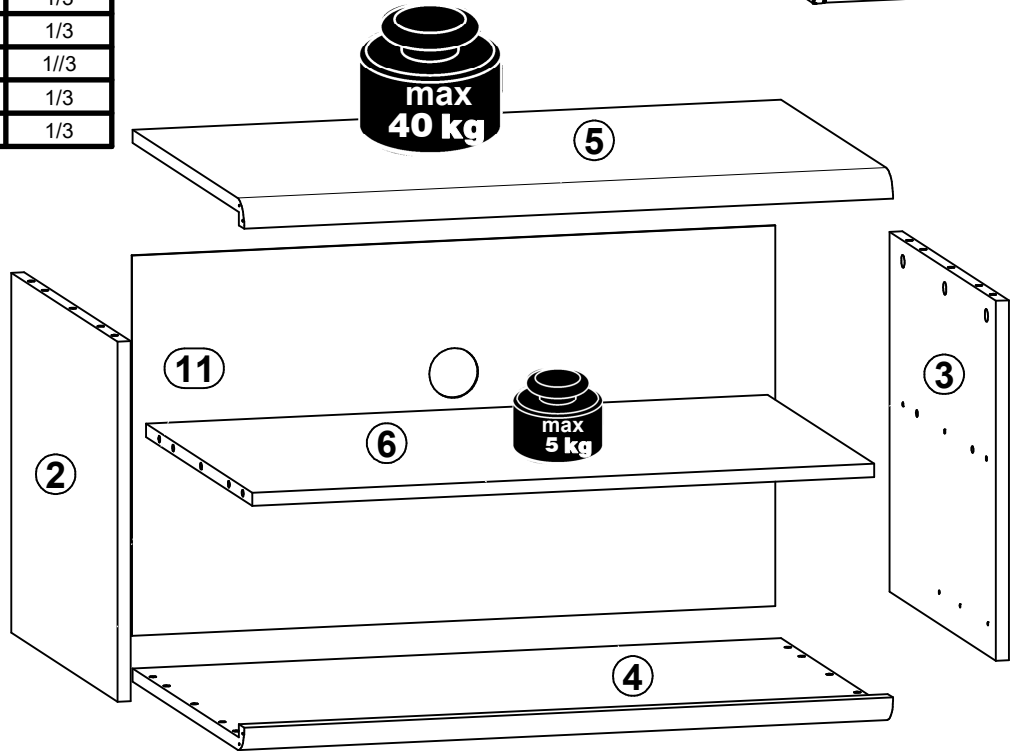
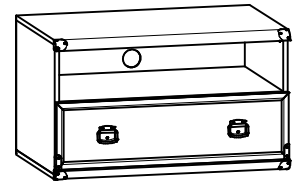
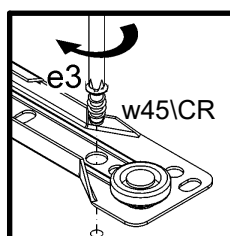
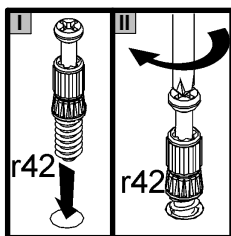
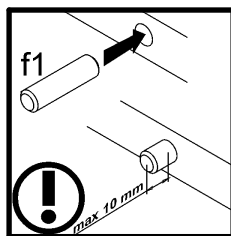
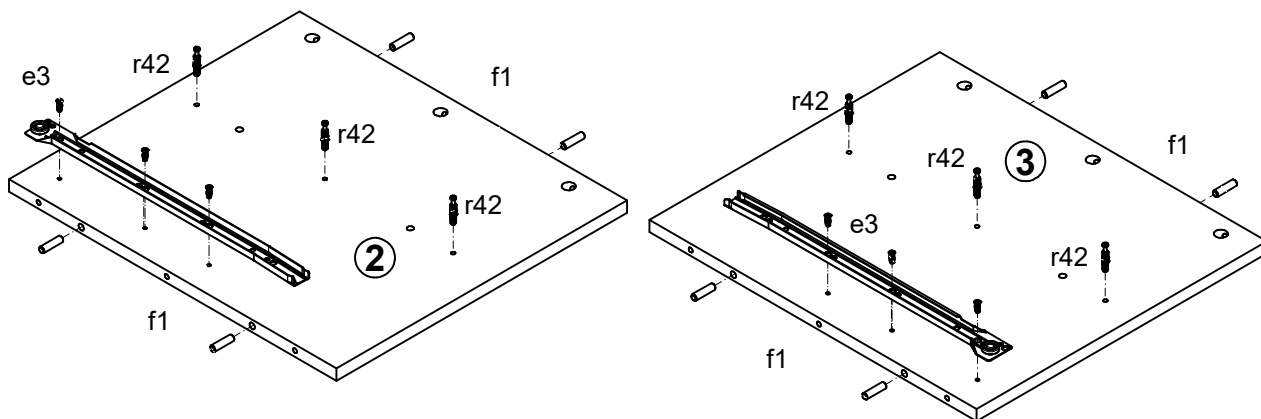


A	B	C	D	
1	S31-009	796	224	3/3
2	S31-143	435	490	1/3
3	S31-144	435	490	1/3
4	S31-224	800	515	2/3
5	S31-225	800	515	2/3
6	S31-319	767	490	1/3
7	S31-503	718	140	1/3
8	S31-507	400	140	1/3
9	S31-508	400	140	1/3
10	S31-923	729	398	1/3
11	S31-925	460	793	1/3

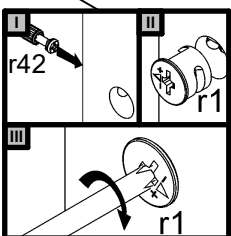
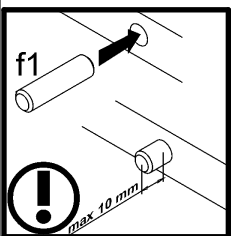
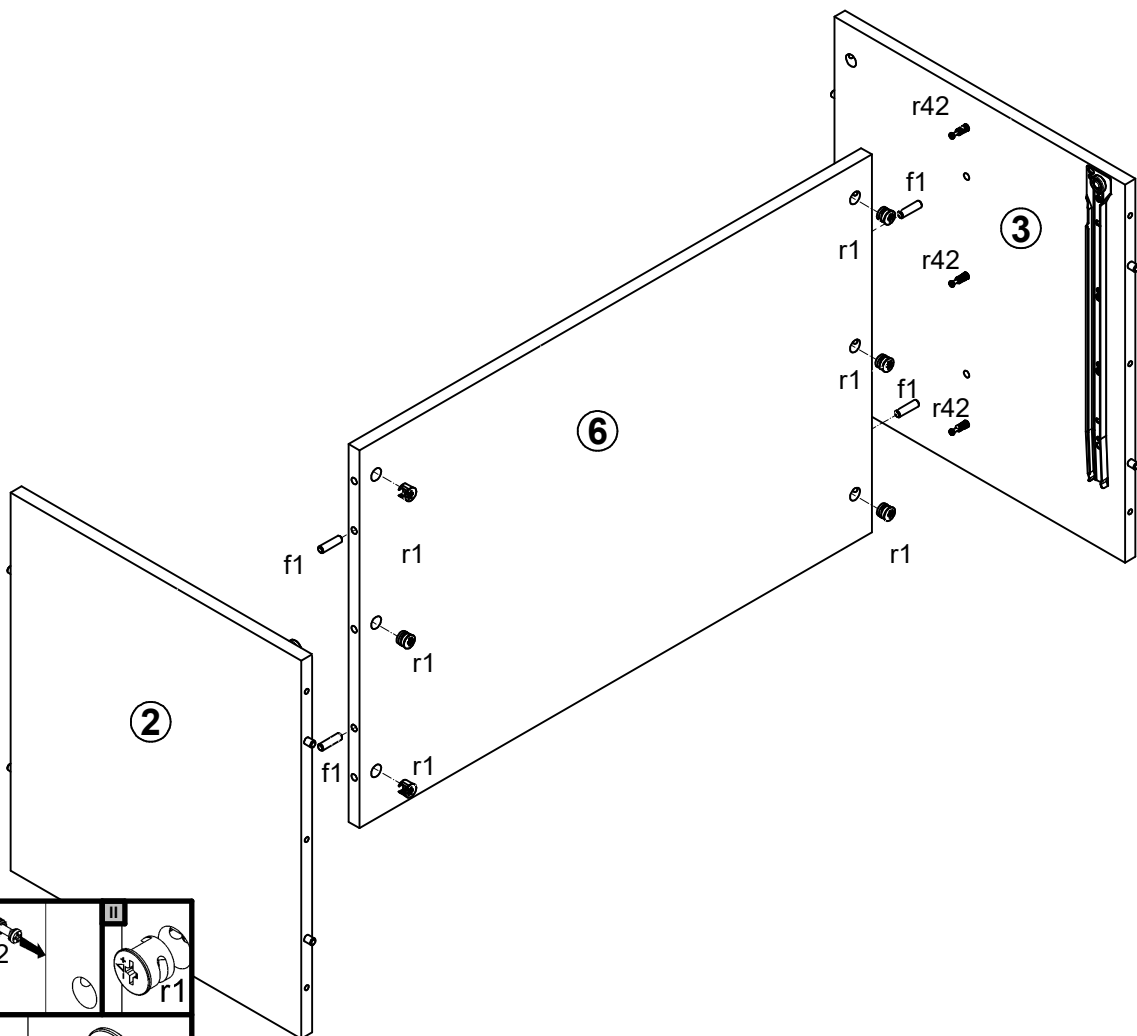


2x c158	6x Ø7x50 mm e1	4x Ø5x9 mm e19	6x Ø6x13 mm e3	12x Ø8x30 mm f1	4x Ø6.5x40 mm f25	4x M4x22 mm j30	4x Ø15 k22	35x l1
4x l27	1x l28/L	1x l28/P	2x Ø3.5x16 mm p25	12x Ø3x12 mm p83	12x Ø15x12 mm #16 r1	4x Ø12x10.5 mm #12 r15	16x 20-11 r42	6x Ø16 s2
1x 383 mm t14	1x 400 mm w5/CL	1x 400 mm w5/CR	1x 400 mm w5/DL	1x 400 mm w5/DR	1x 4 mm z1			

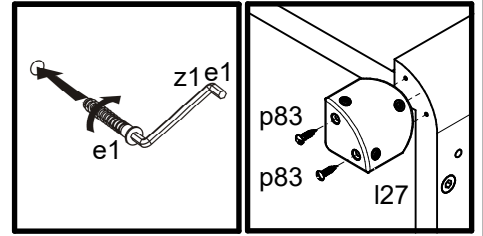
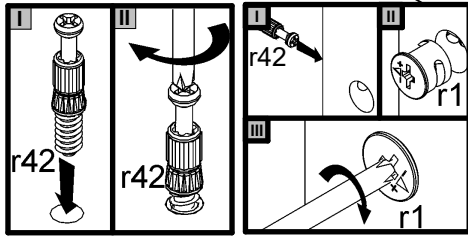
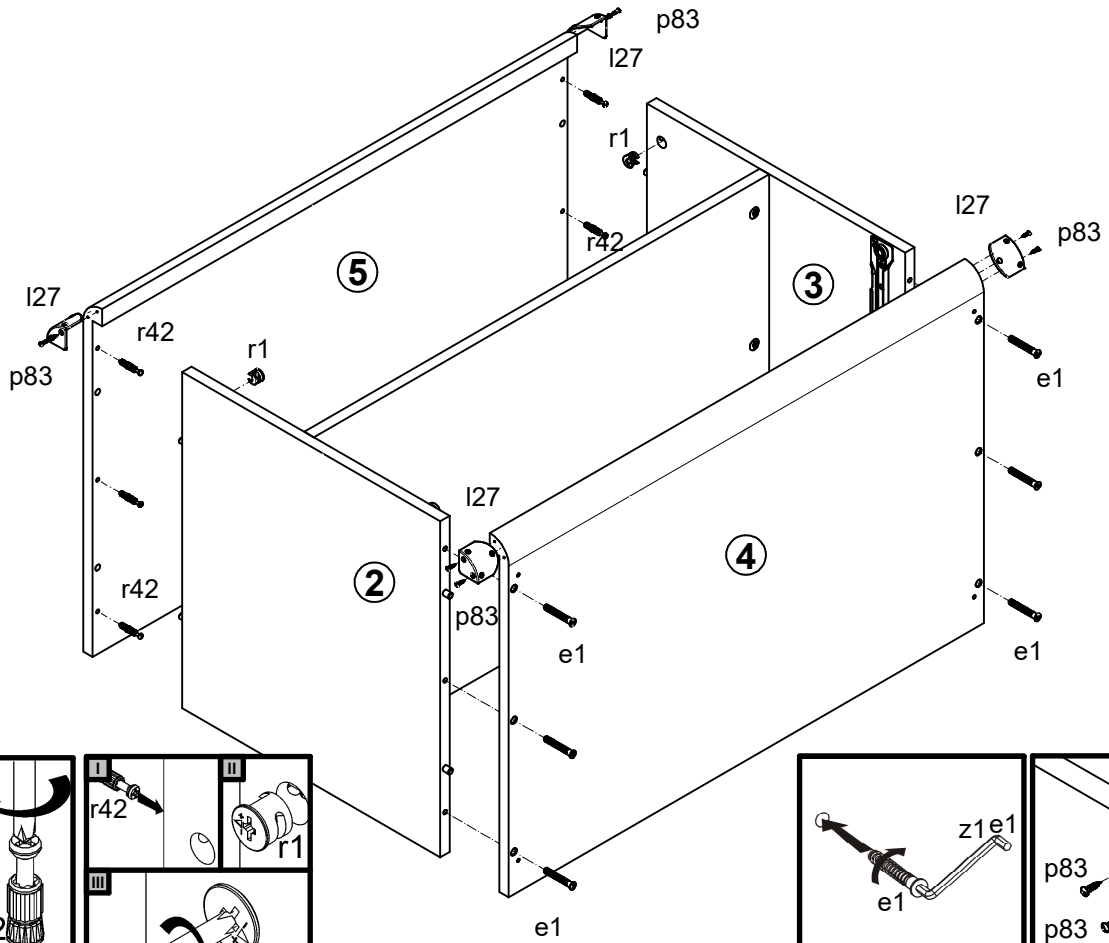
1



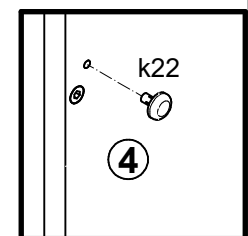
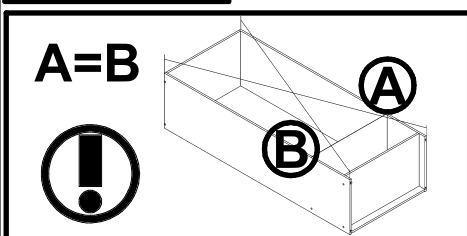
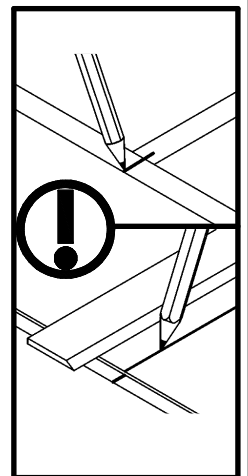
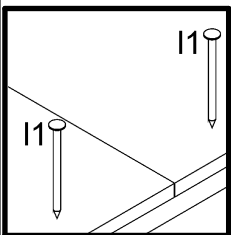
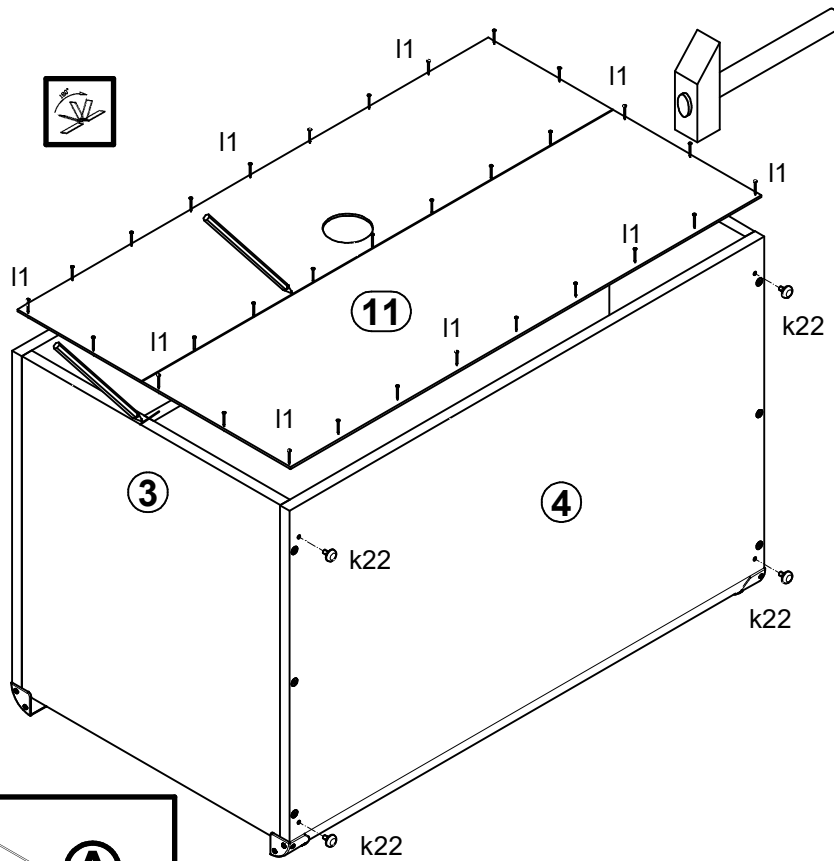
2



3

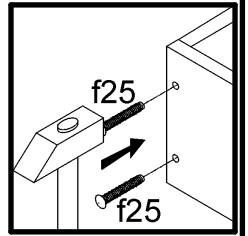
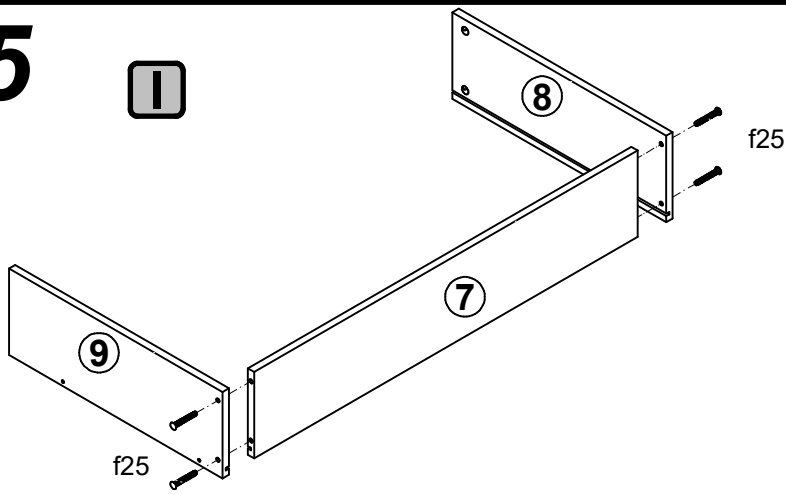


4

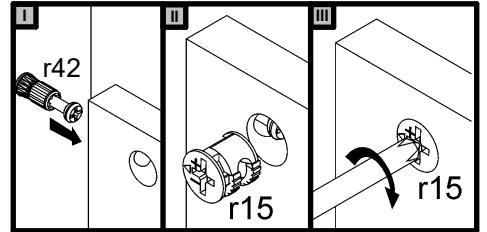
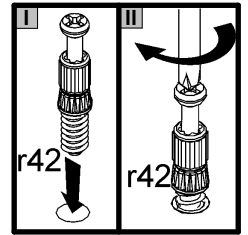
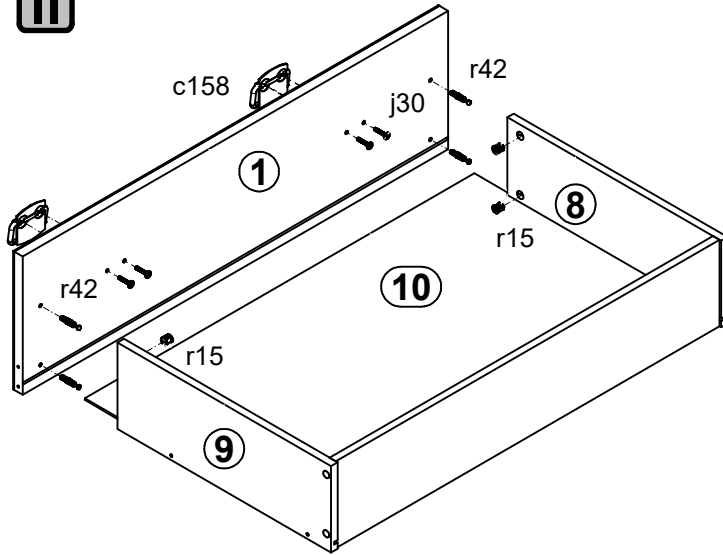


5

I



II



III

