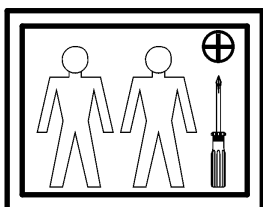
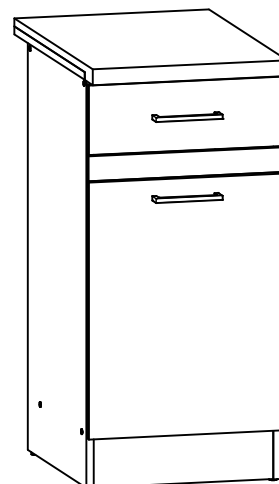
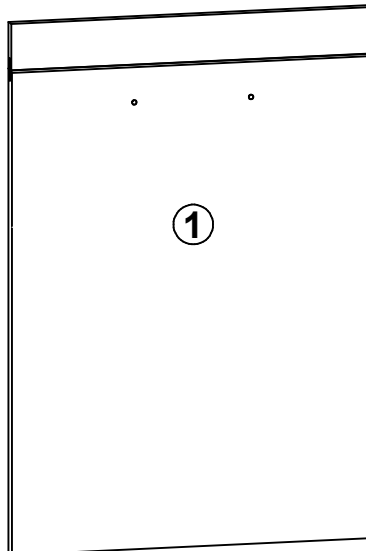
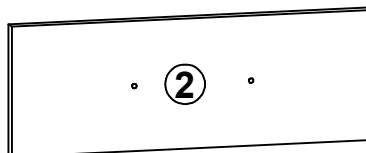
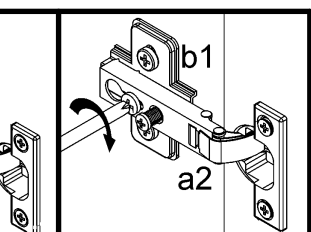
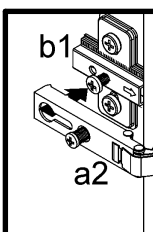
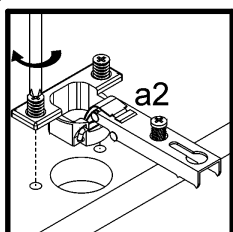
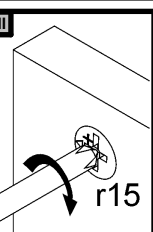
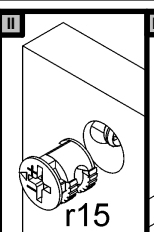
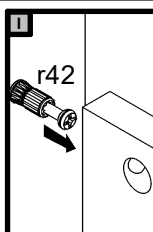
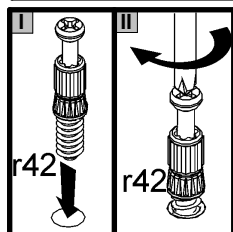
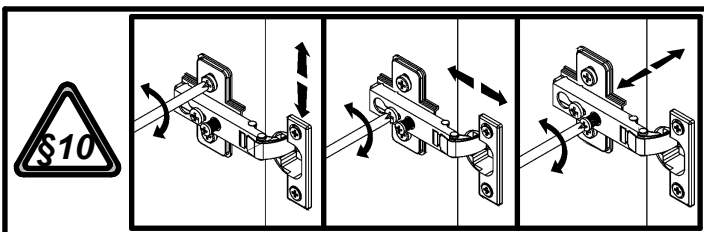
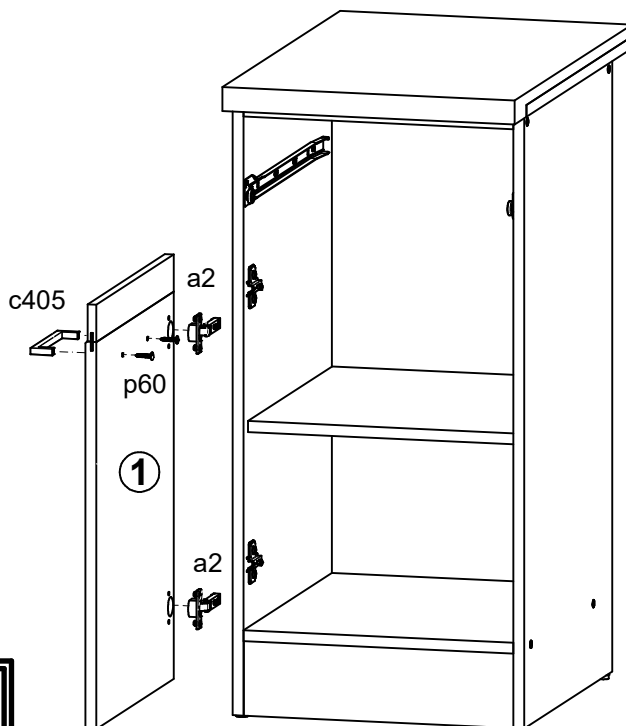
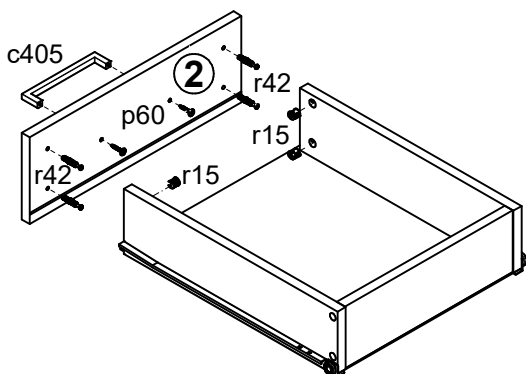


| A | B       | C   | D       |
|---|---------|-----|---------|
| 1 | K24-024 | 396 | 570 3/3 |
| 2 | K24-032 | 396 | 140 3/3 |



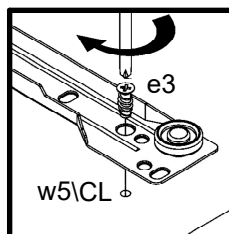
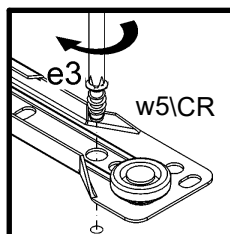
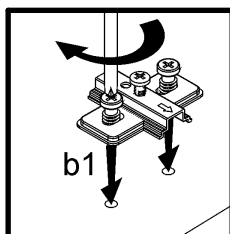
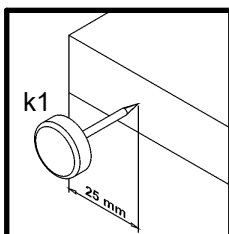
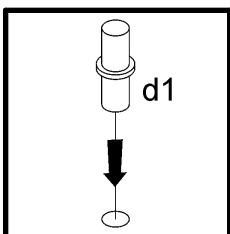
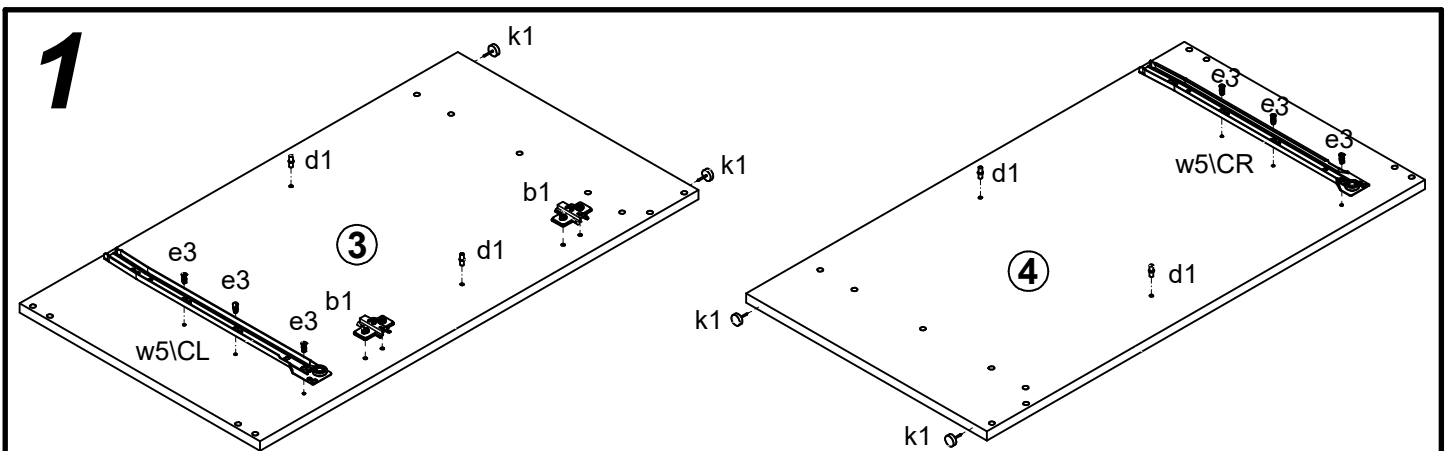
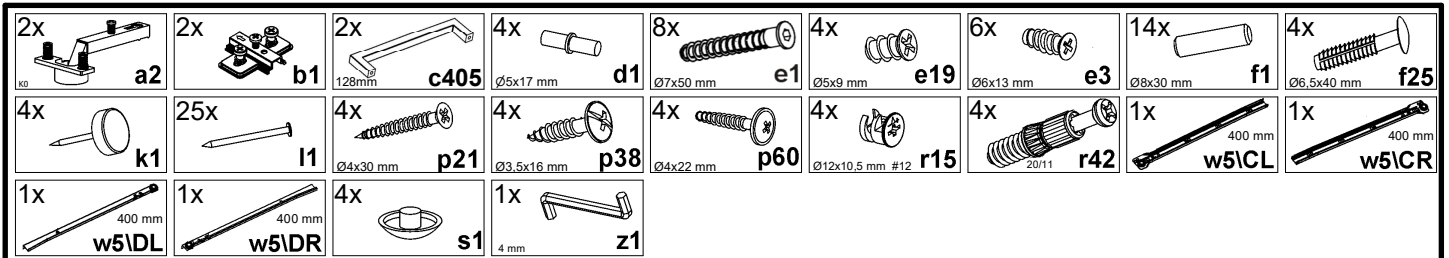
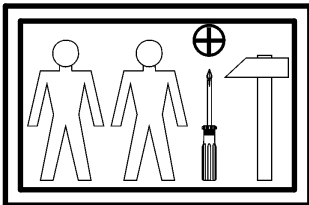
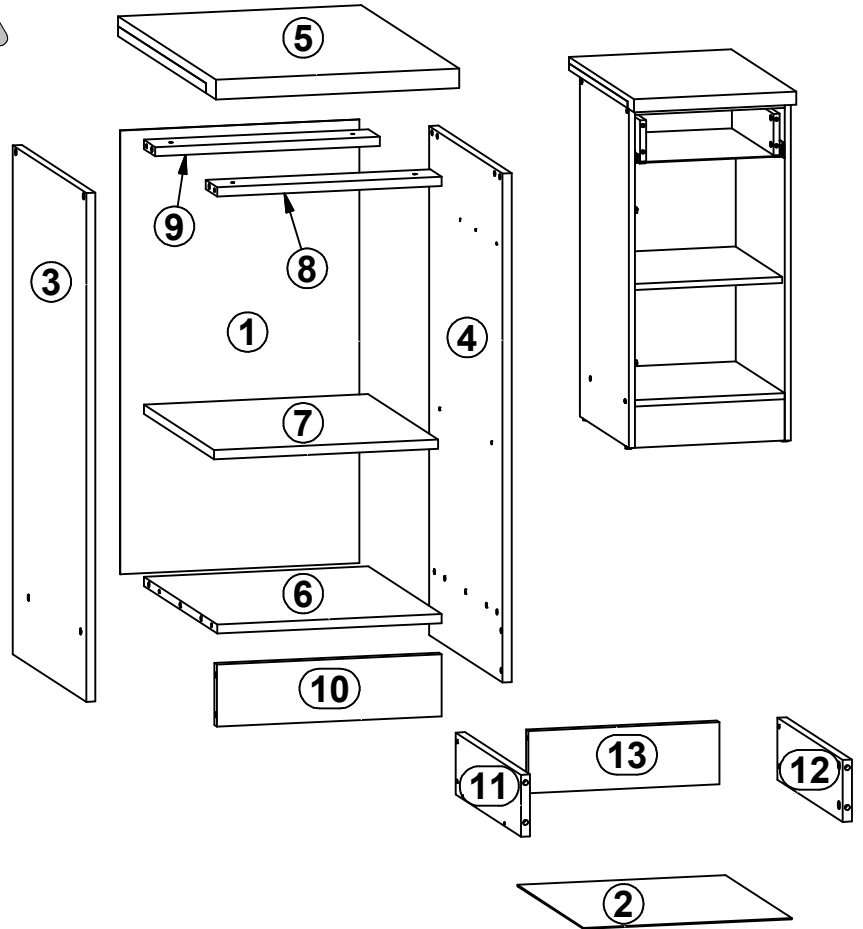
**1**



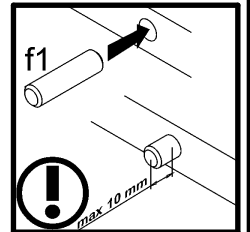
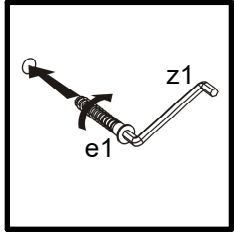
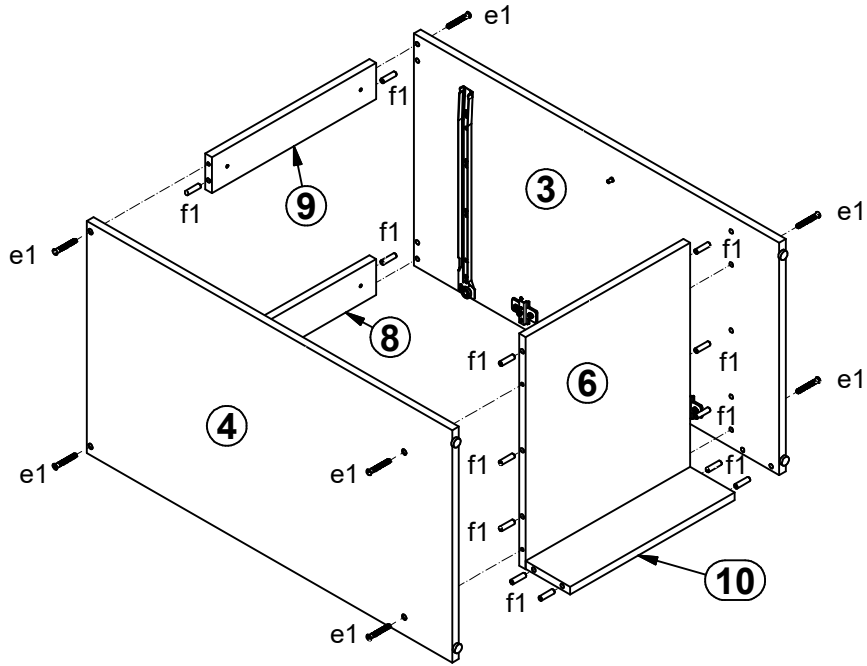
# Junona Line K24-D1D1S/40/82

# Moduł A , A + A1

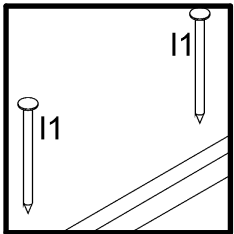
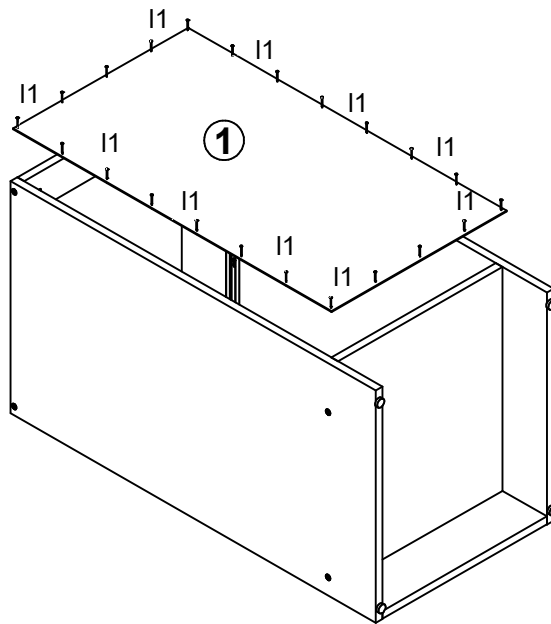
| A                       | B        | C   | D   |
|-------------------------|----------|-----|-----|
| <b>Moduł A , A + A1</b> |          |     |     |
| 1                       | K22-906  | 715 | 393 |
| 2                       | K22-922  | 406 | 342 |
| 3                       | K24-103  | 820 | 450 |
| 4                       | K24-104  | 820 | 450 |
| 6                       | K24-307  | 369 | 450 |
| 7                       | K24-308  | 368 | 430 |
| 8                       | K24-411  | 369 | 70  |
| 9                       | K24-412  | 369 | 70  |
| 10                      | K24-413  | 369 | 100 |
| 11                      | K24-501  | 400 | 100 |
| 12                      | K24-502  | 400 | 100 |
| 13                      | ZS3-5527 | 314 | 100 |
| <b>Moduł A + A1</b>     |          |     |     |
| 5                       | K24-203  | 400 | 600 |



# 2

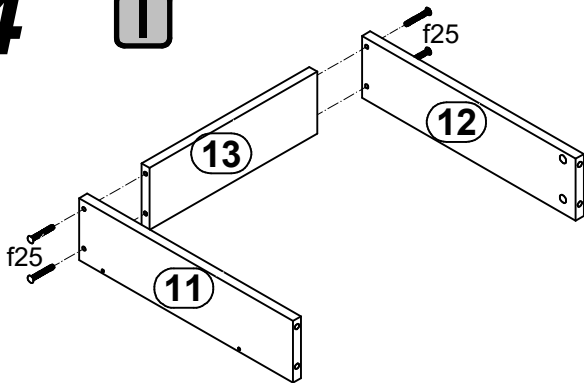


# 3

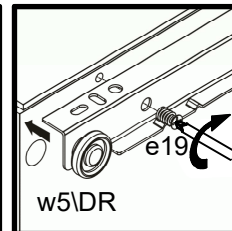
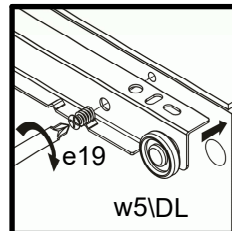
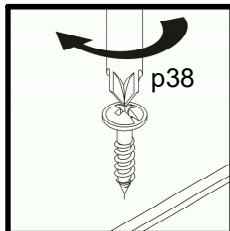
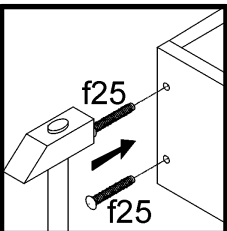
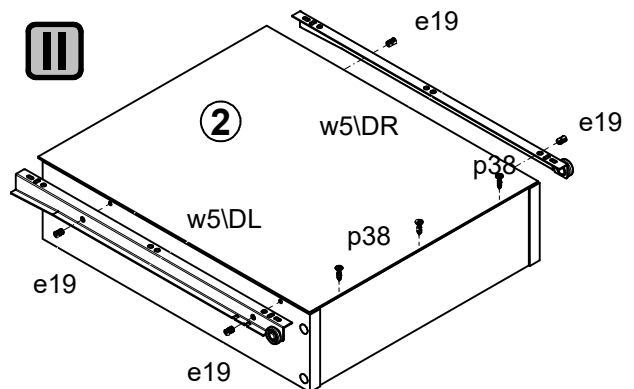


# 4

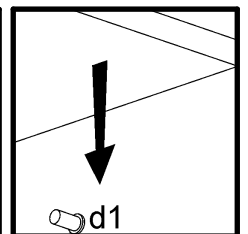
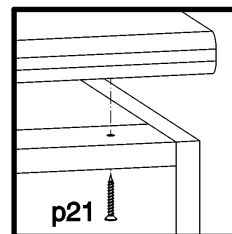
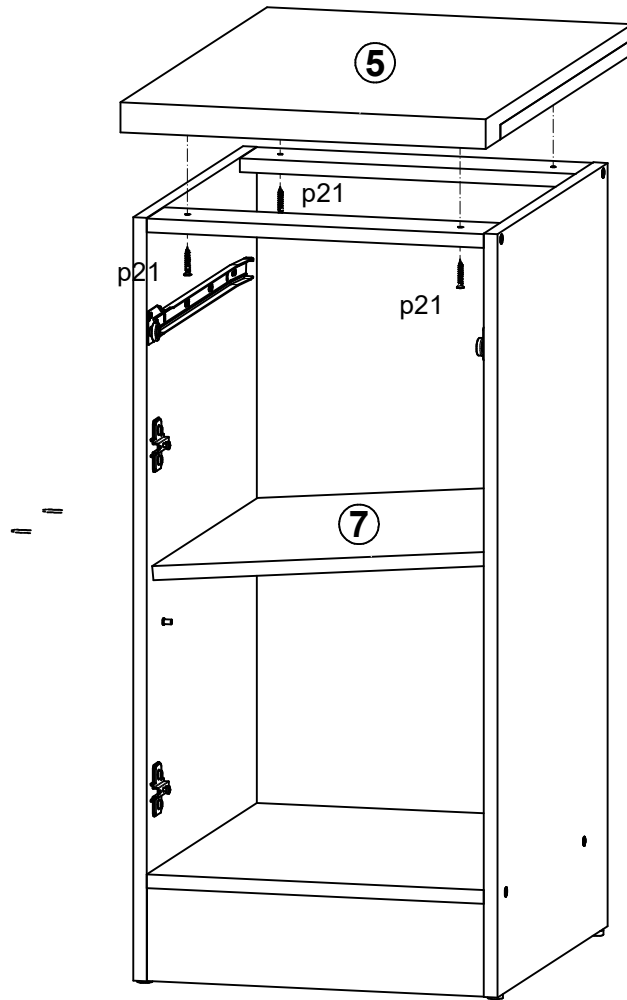
I



II

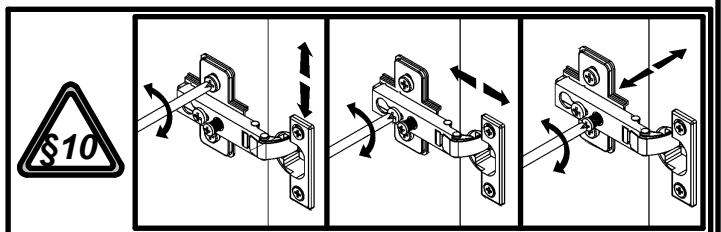
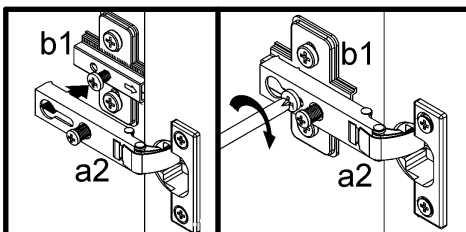
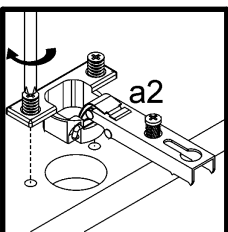
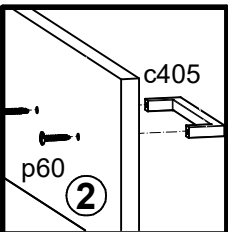
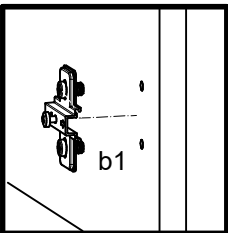
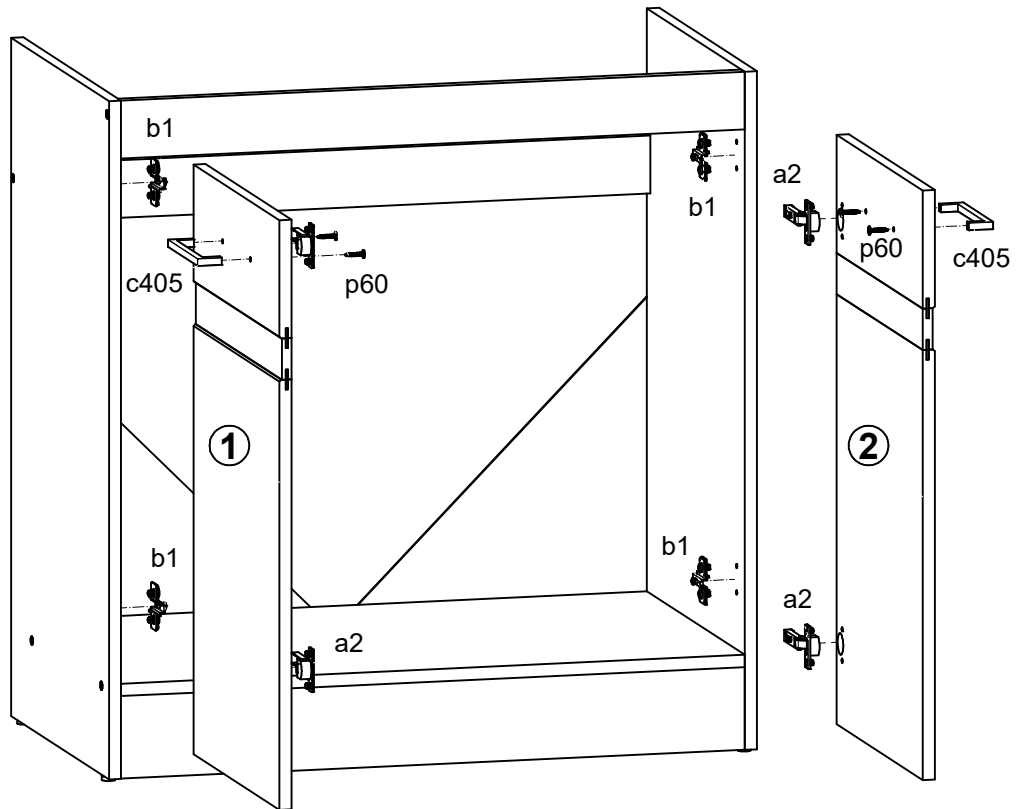
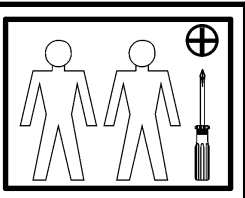
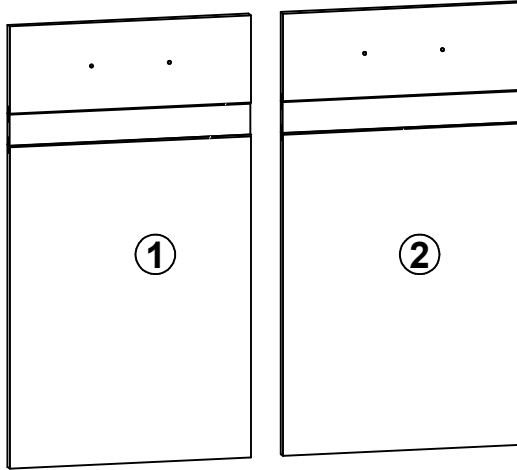
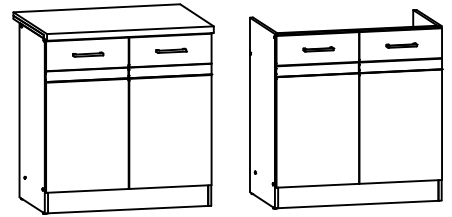


# 5



# Junona Line K24-DK2D/80/82-frn K24-D2D/80/82-frn Moduł A , A + A1

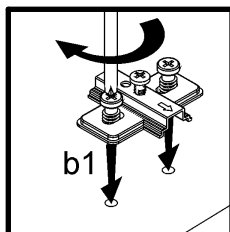
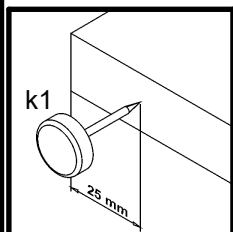
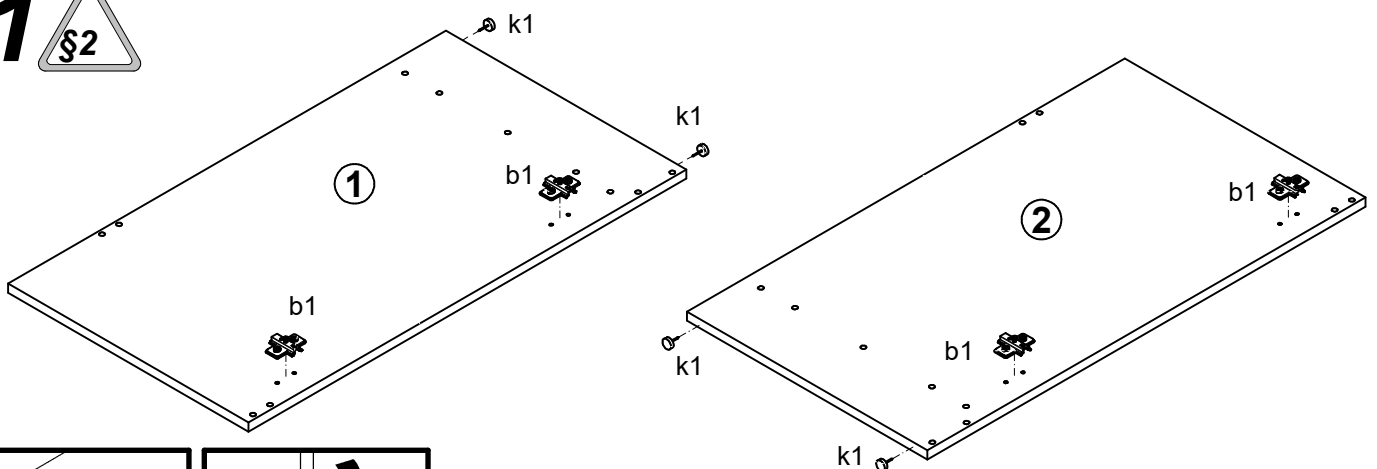
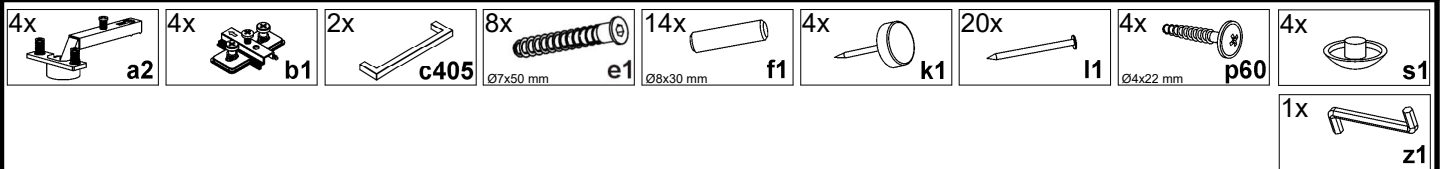
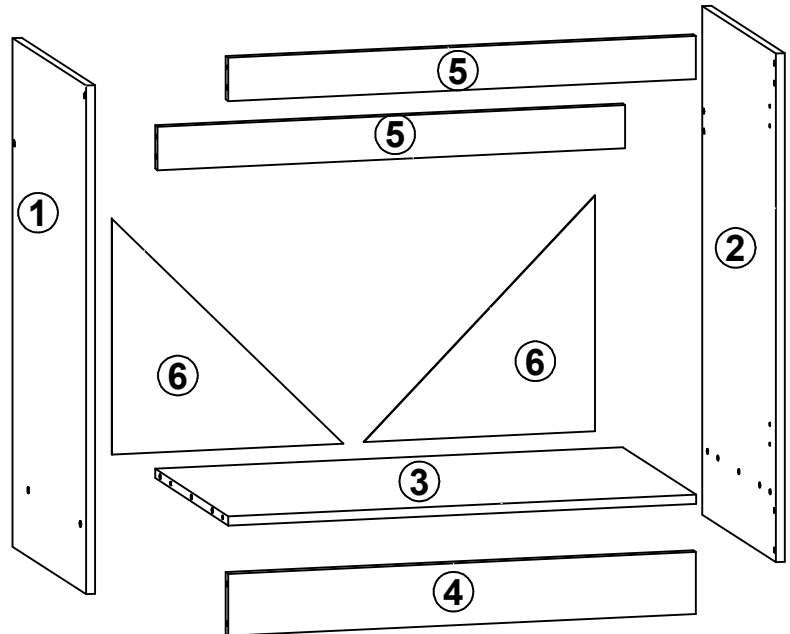
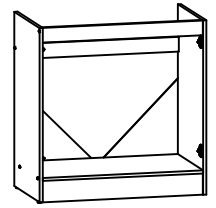
| A                  | B       | C         | D       |
|--------------------|---------|-----------|---------|
| K24-DK2D/80/82-frn |         |           |         |
| K24-D2D/80/82-frn  |         |           |         |
| 1                  | K24-020 | 396       | 713 2/2 |
| 2                  | K24-021 | 396, 713, | 2/2     |
| Moduł A , A + A1   |         |           |         |
| 1                  | K24-020 | 396       | 713 3/3 |
| 2                  | K24-021 | 396, 713, | 3/3     |



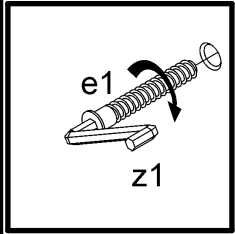
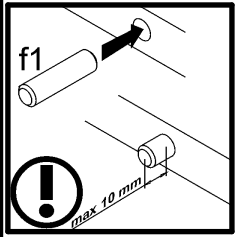
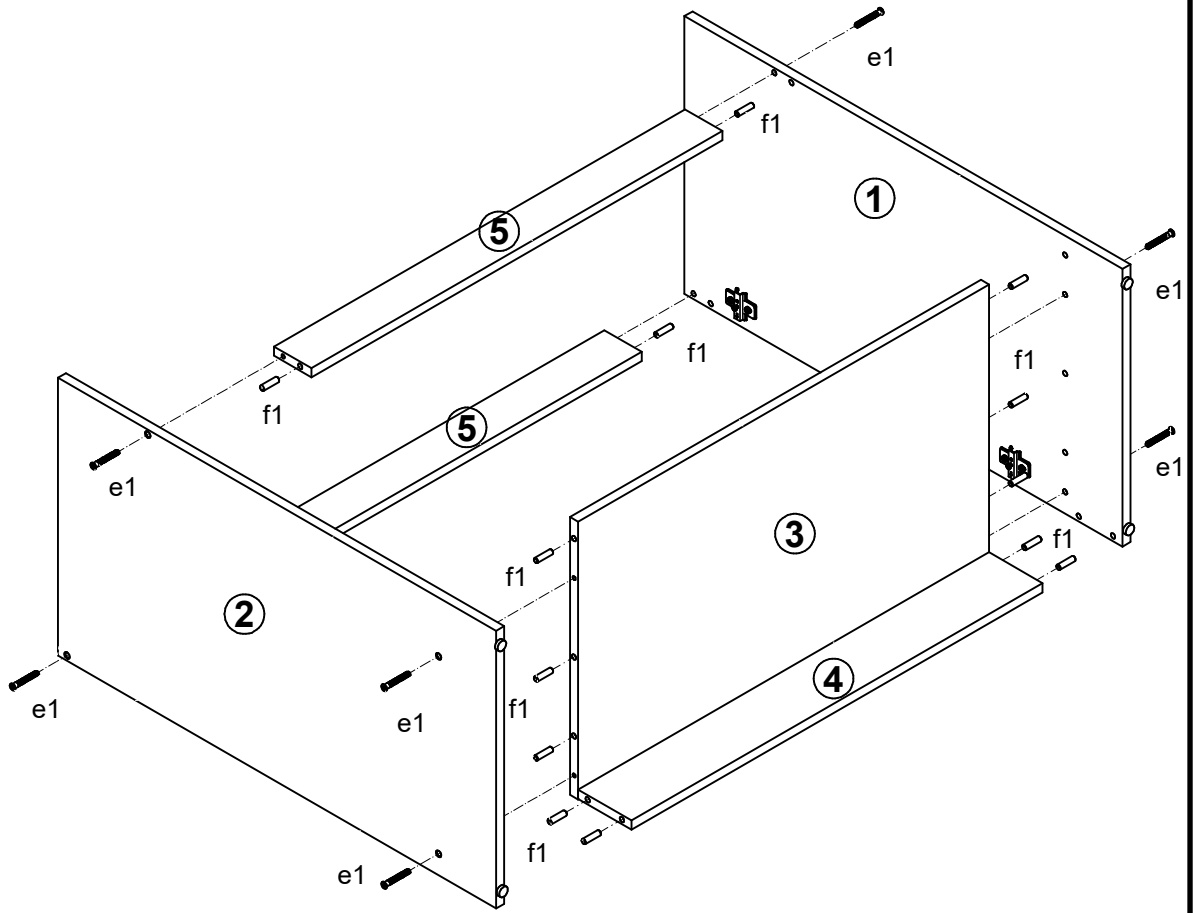
# Junona Line K24-DK2D/80/82

# Moduł A , A + A1

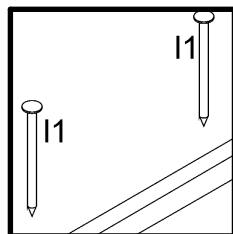
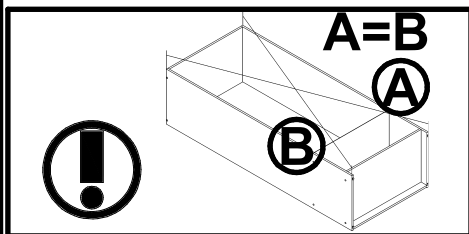
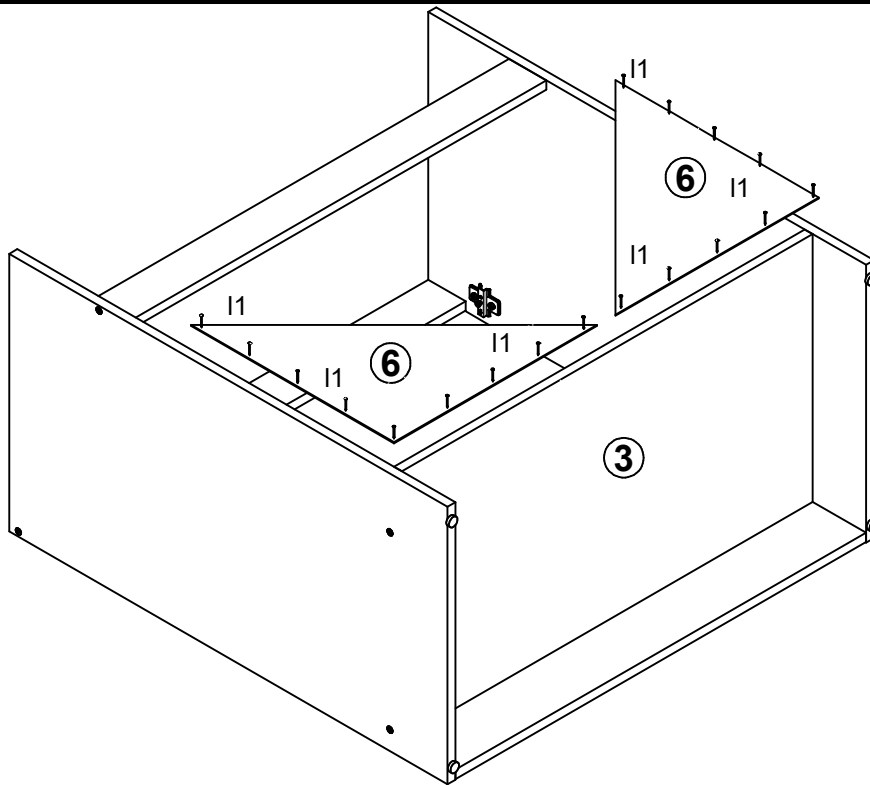
| A                       | B       | C   | D       |
|-------------------------|---------|-----|---------|
| <b>K24-DK2D/80/82</b>   |         |     |         |
| 1                       | K24-116 | 820 | 450 1/2 |
| 2                       | K24-117 | 820 | 450 1/2 |
| 3                       | K24-327 | 769 | 450 1/2 |
| 4                       | K24-417 | 769 | 100 1/2 |
| 5                       | K24-418 | 769 | 70 1/2  |
| 6                       | K22-918 | 380 | 380 1/2 |
| <b>Moduł A , A + A1</b> |         |     |         |
| 1                       | K24-116 | 820 | 450 1/3 |
| 2                       | K24-117 | 820 | 450 1/3 |
| 3                       | K24-327 | 769 | 450 2/3 |
| 4                       | K24-417 | 769 | 100 2/3 |
| 5                       | K24-418 | 769 | 70 2/3  |
| 6                       | K22-918 | 380 | 380 1/3 |



# 2



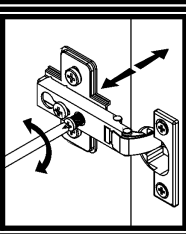
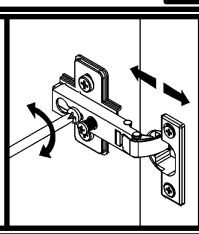
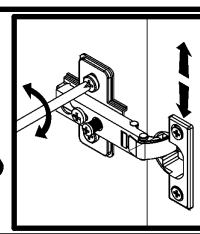
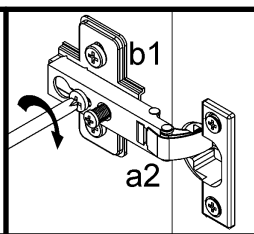
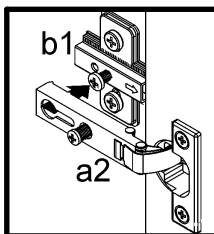
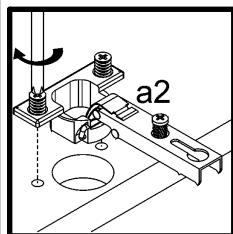
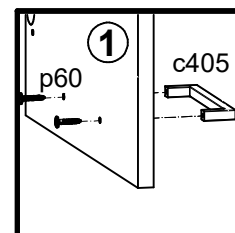
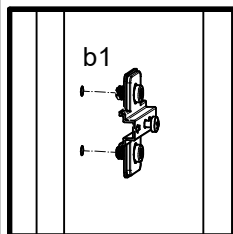
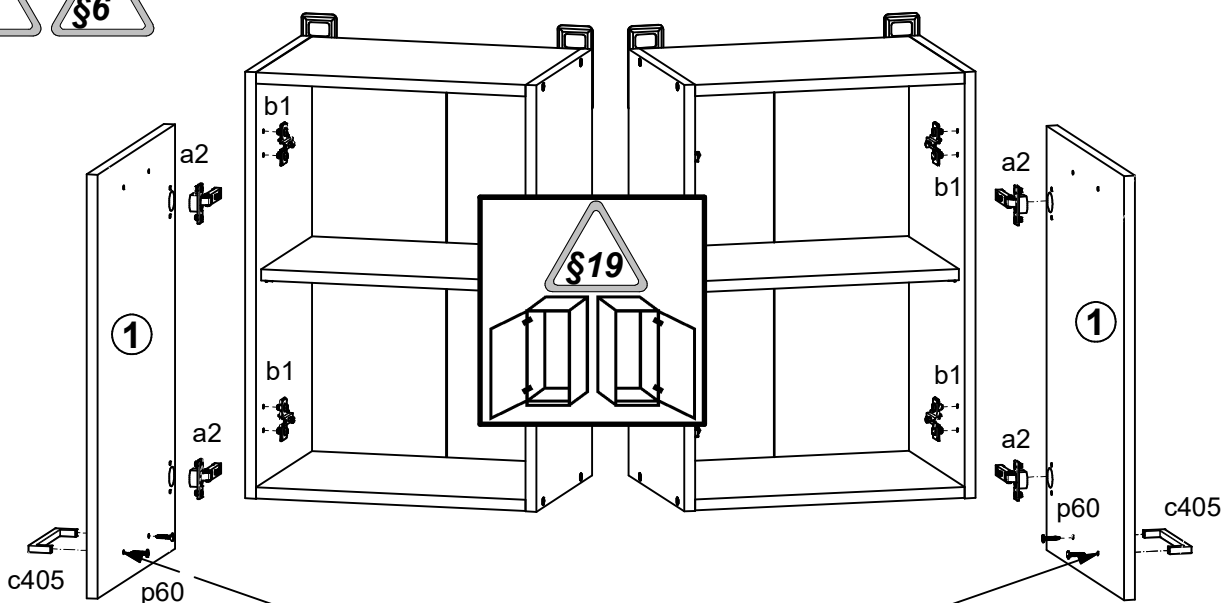
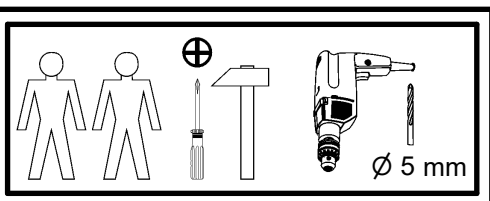
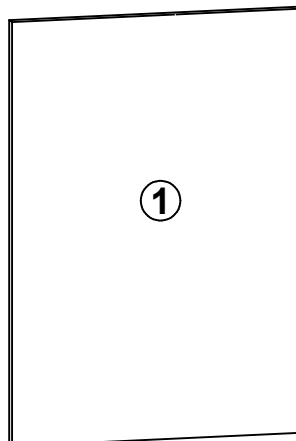
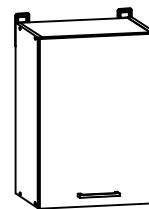
# 3



# Junona Line

# K24-G1D/40/57-LP Moduł A , A + A1

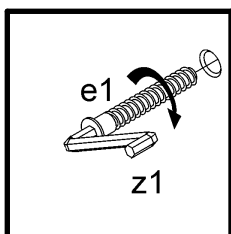
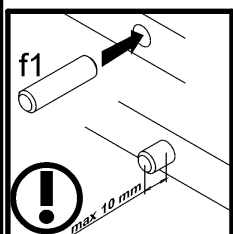
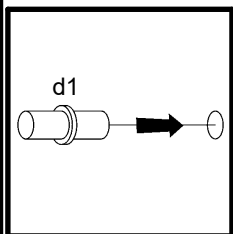
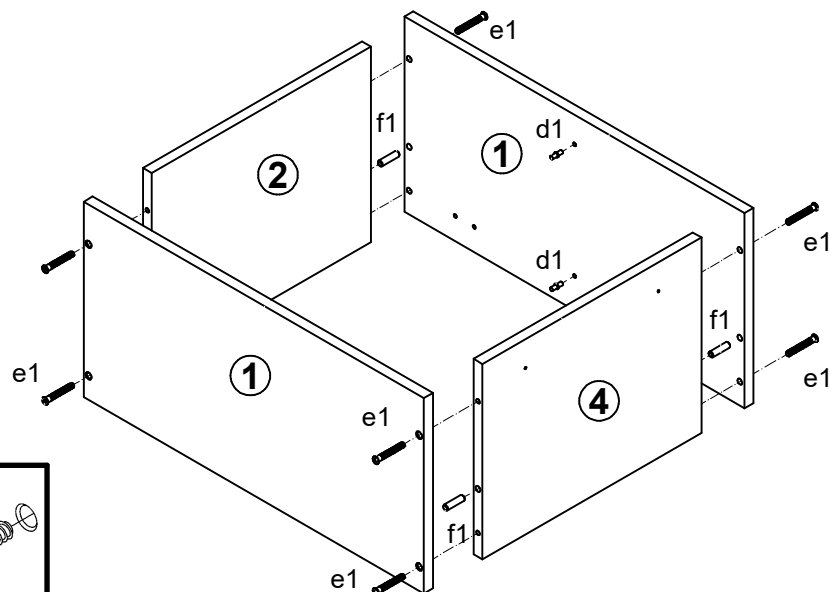
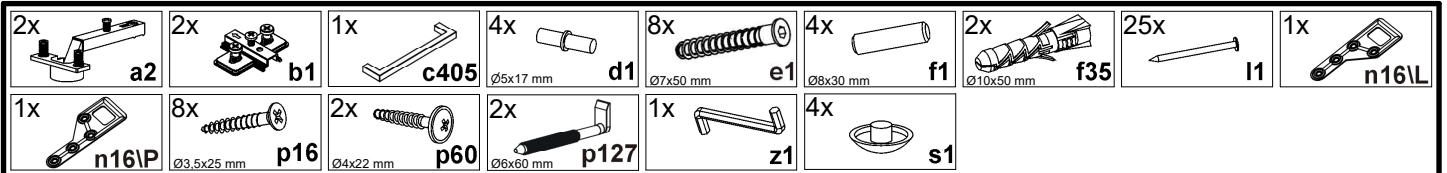
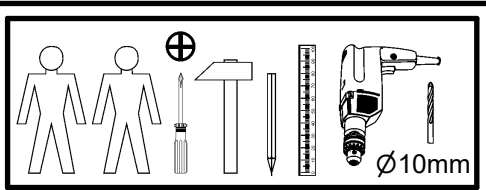
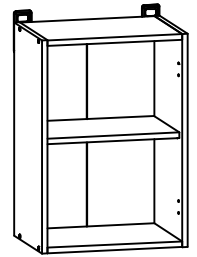
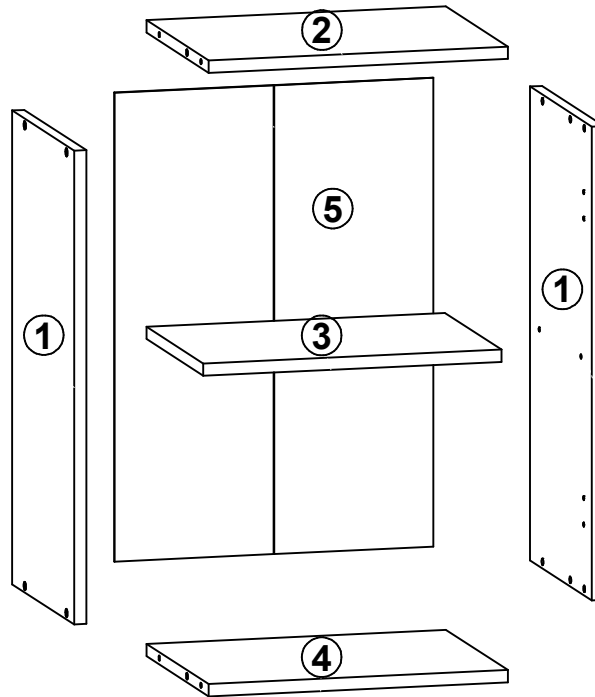
| A                | B       | C   | D   |
|------------------|---------|-----|-----|
| K24-G1D/40/57-LP |         |     |     |
| 1                | K24-029 | 396 | 570 |
| Moduł A , A + A1 |         |     |     |
| 1                | K24-029 | 396 | 570 |
|                  |         |     | 3/3 |



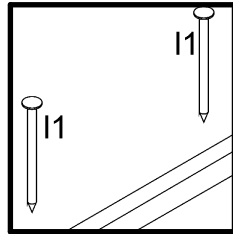
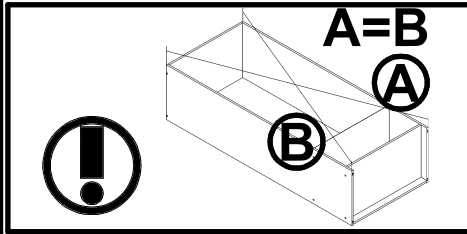
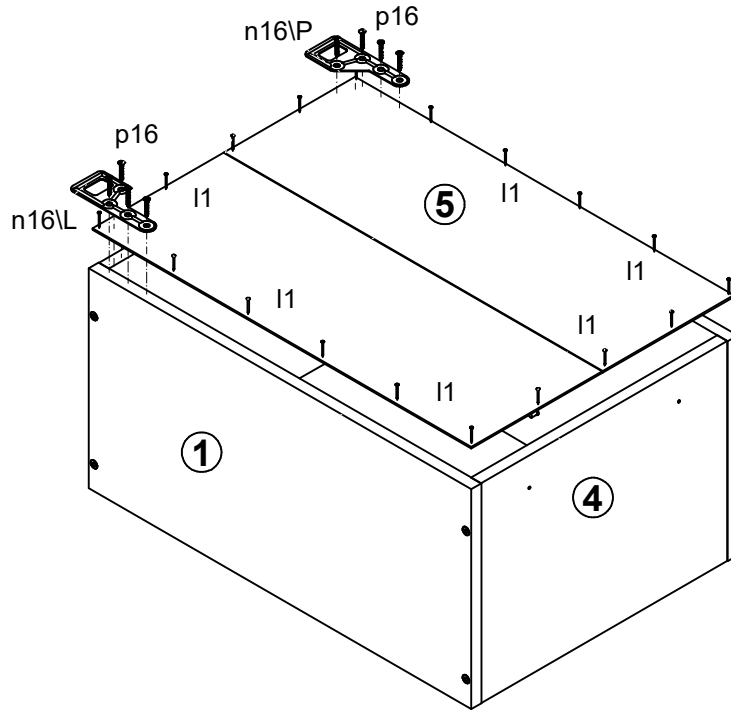


# Junona Line K24-G1D/40/57-LP Moduł A , A + A1

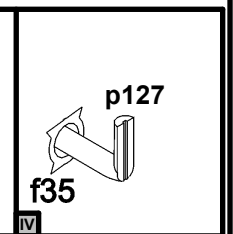
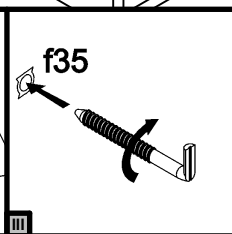
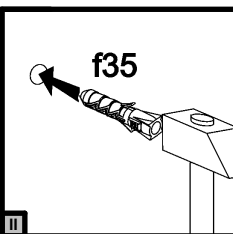
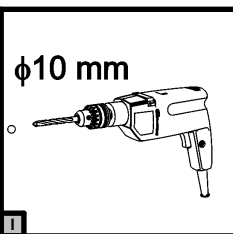
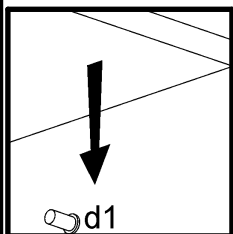
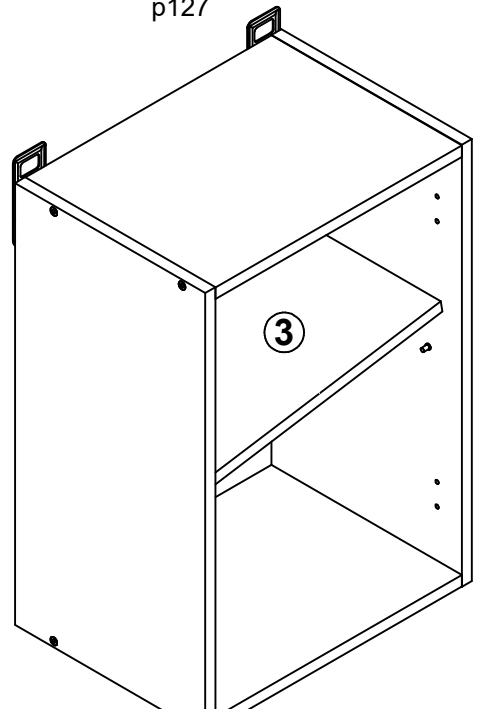
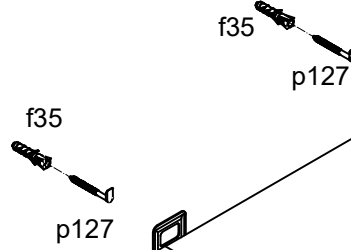
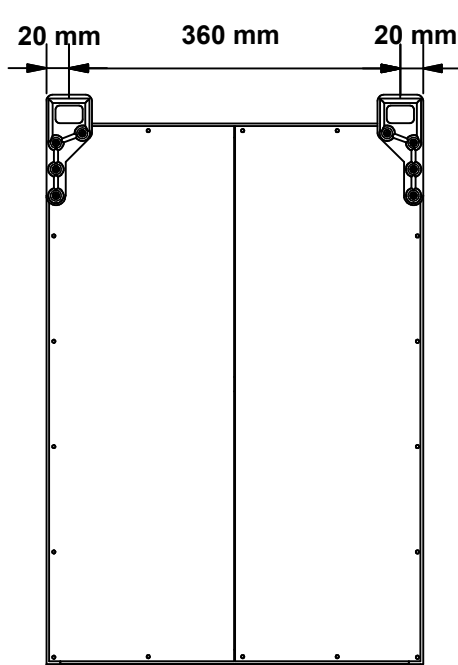
| A                       | B       | C   | D       |
|-------------------------|---------|-----|---------|
| <b>K24-G1D/40/57-LP</b> |         |     |         |
| 1                       | K24-101 | 573 | 285 1/2 |
| 2                       | K24-311 | 369 | 285 1/2 |
| 3                       | K24-312 | 368 | 260 1/2 |
| 4                       | K24-323 | 369 | 285 1/2 |
| 5                       | K22-908 | 567 | 393 1/2 |
| <b>Moduł A , A + A1</b> |         |     |         |
| 1                       | K24-101 | 573 | 285 2/3 |
| 2                       | K24-311 | 369 | 285 2/3 |
| 3                       | K24-312 | 368 | 260 2/3 |
| 4                       | K24-323 | 369 | 285 2/3 |
| 5                       | K22-908 | 567 | 393 2/3 |



**2** §6

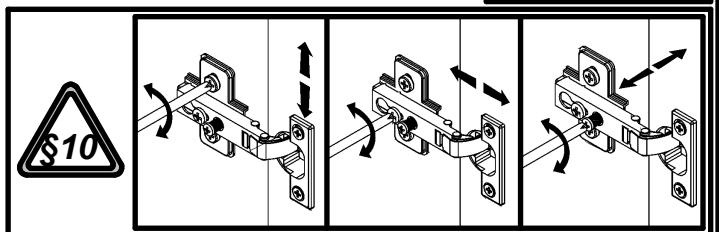
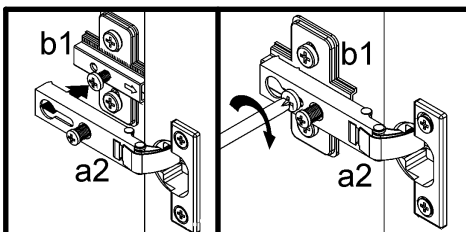
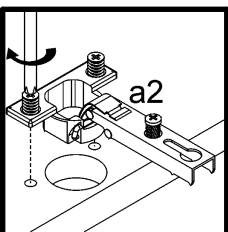
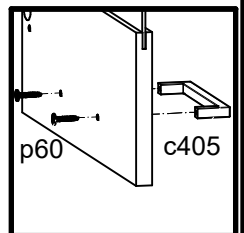
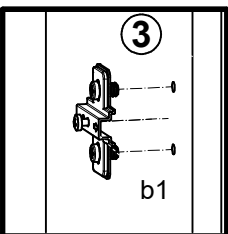
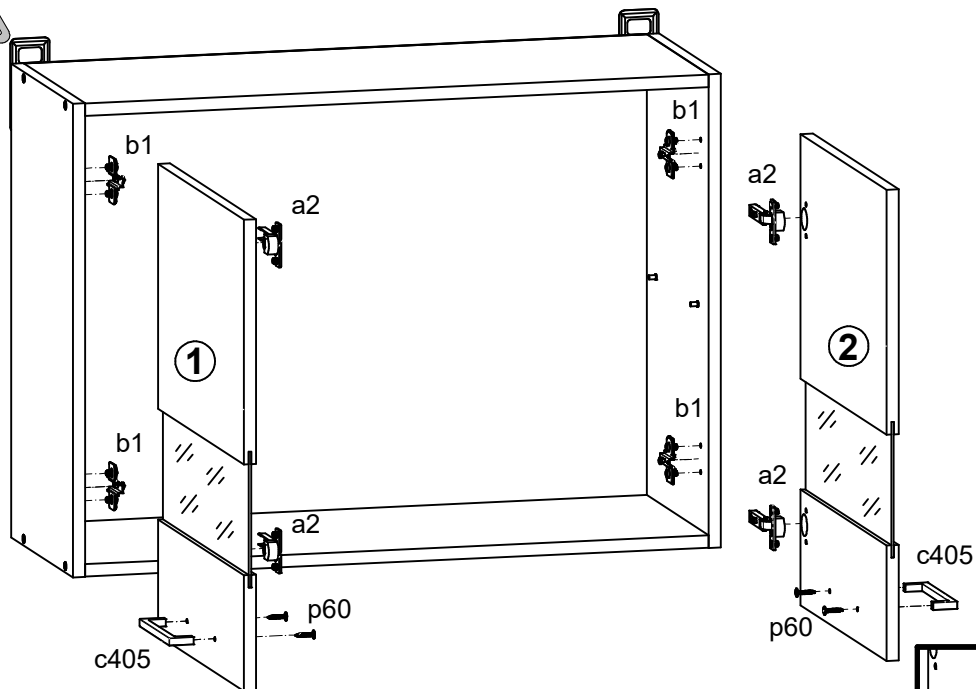
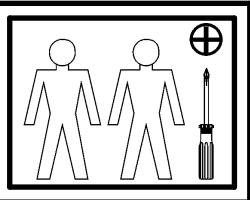
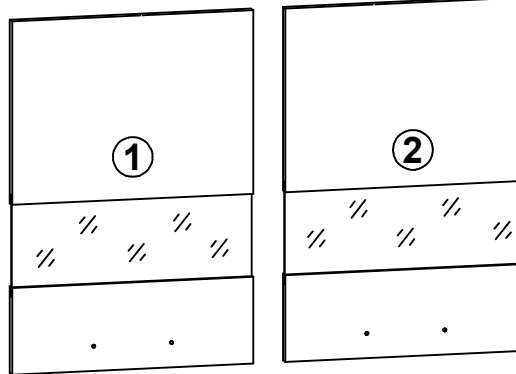
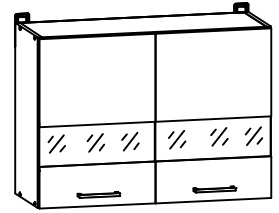


**3**



# Junona Line K24-G2W/80/57-frn Moduł A , A + A1

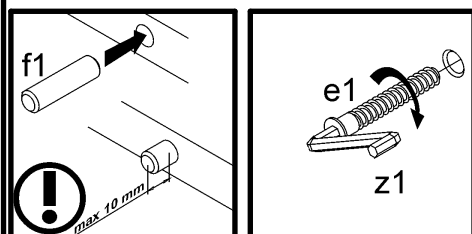
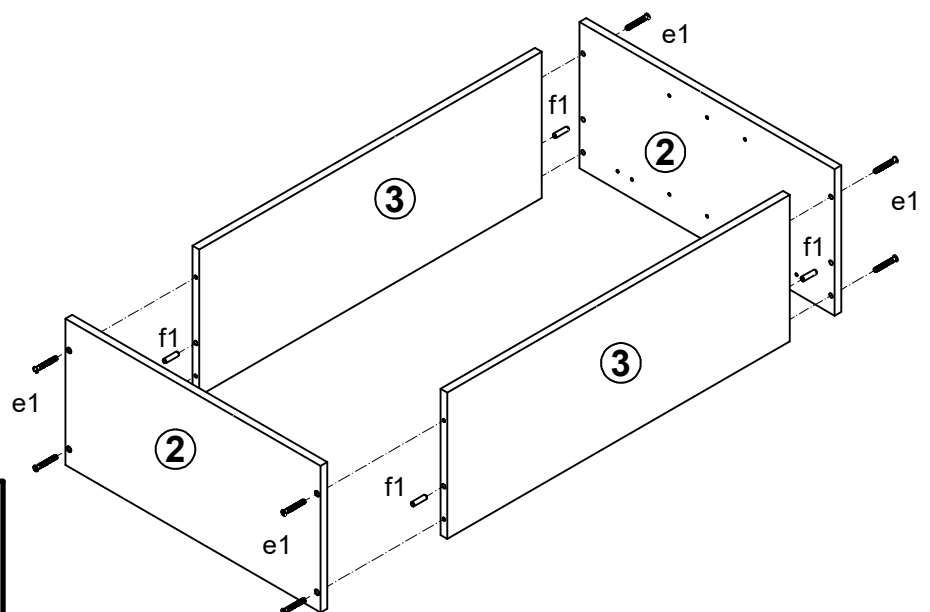
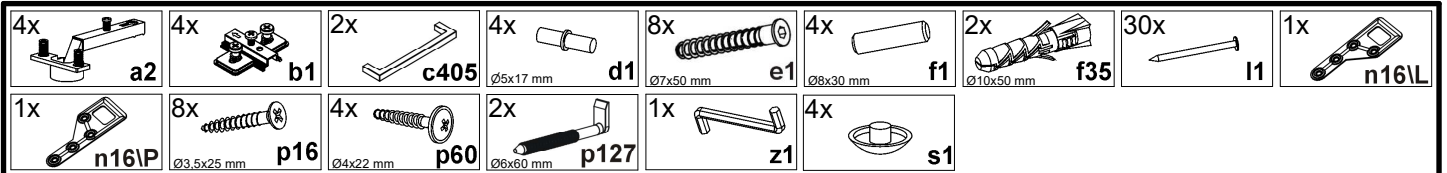
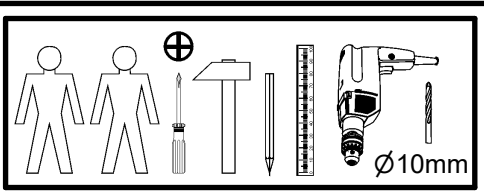
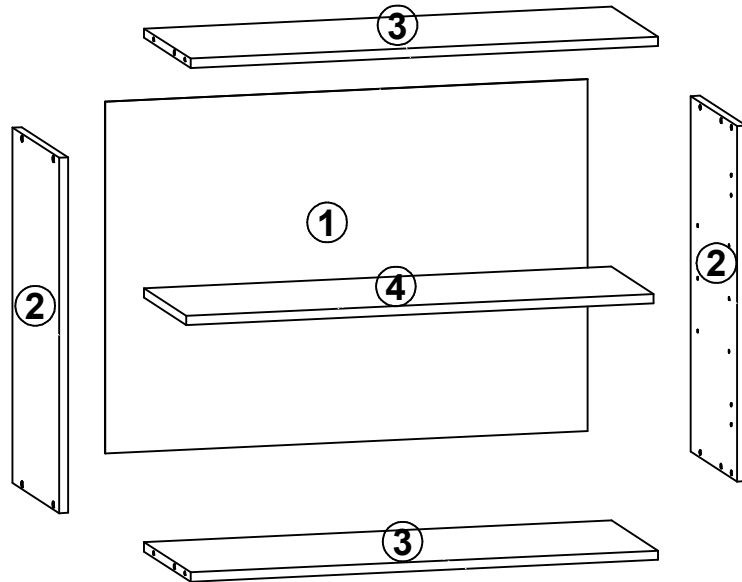
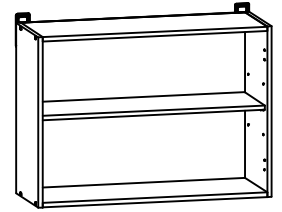
| A                 | B       | C   | D       |
|-------------------|---------|-----|---------|
| K24-G2W/80/57-frn |         |     |         |
| 1                 | K24-017 | 396 | 570 2/2 |
| 2                 | K24-018 | 396 | 570 2/2 |
| Moduł A , A + A1  |         |     |         |
| 1                 | K24-017 | 396 | 570 3/3 |
| 2                 | K24-018 | 396 | 570 3/3 |



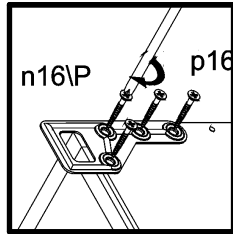
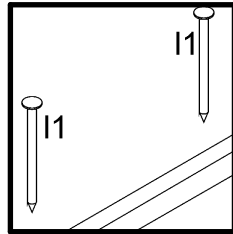
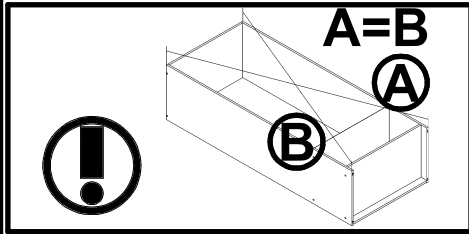
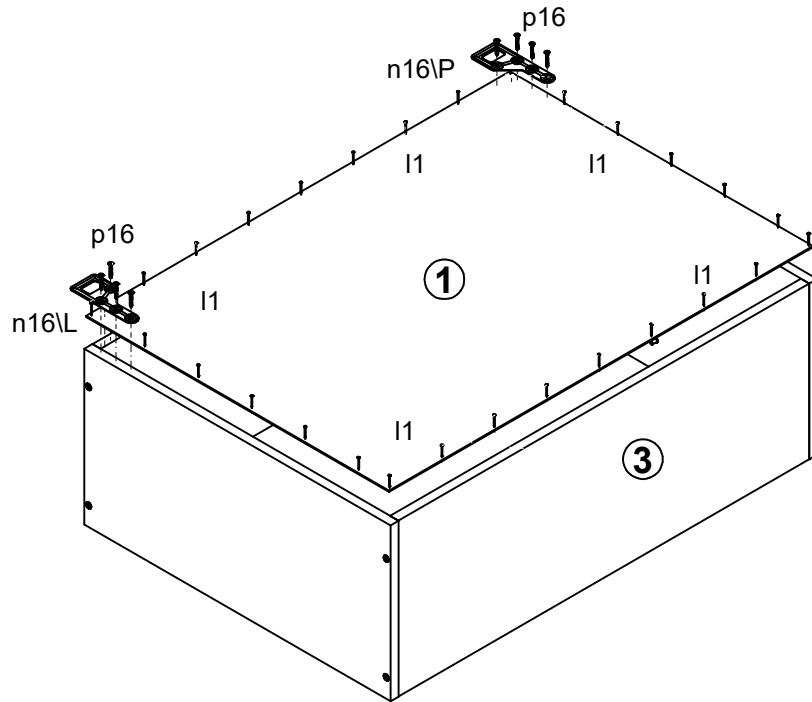
# Junona Line

# K24-G2W/80/57 Moduł A , A + A1

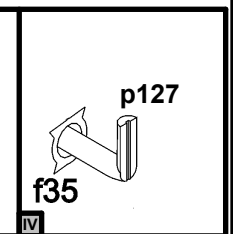
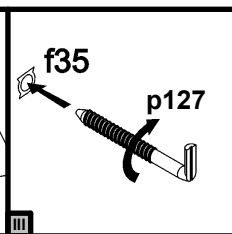
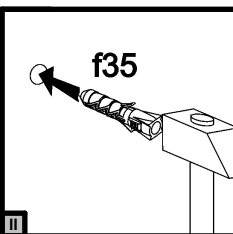
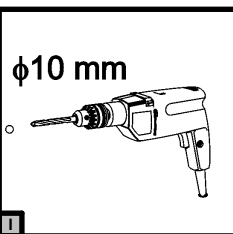
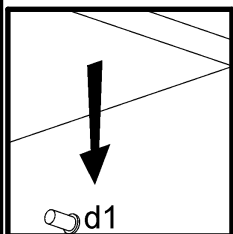
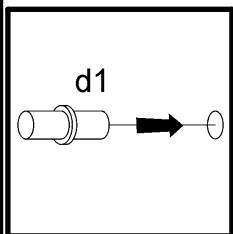
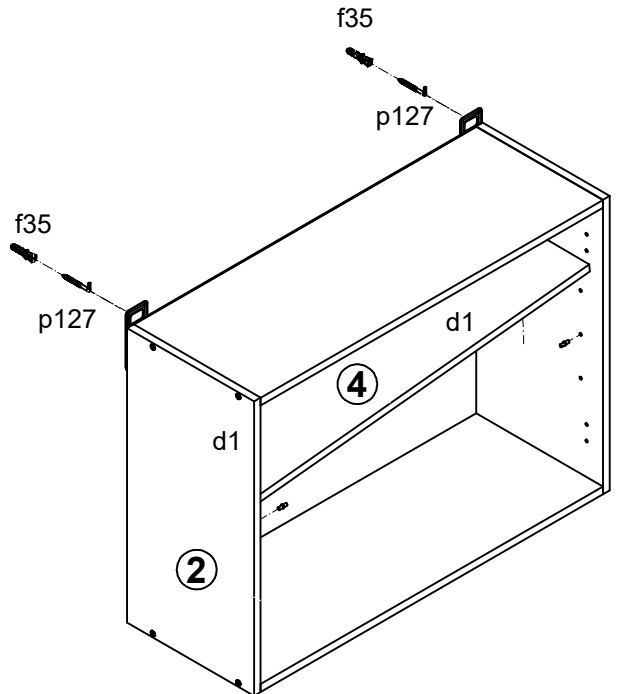
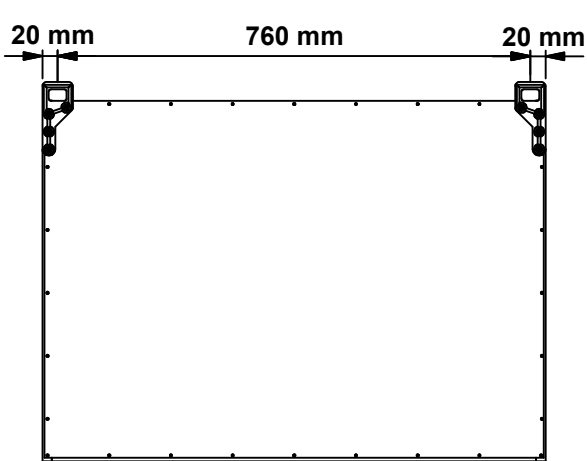
| A                       | B       | C   | D       |
|-------------------------|---------|-----|---------|
| <b>K24-G2W/80/57</b>    |         |     |         |
| 1                       | K22-919 | 567 | 793 1/2 |
| 2                       | K24-120 | 573 | 285 1/2 |
| 3                       | K24-328 | 769 | 285 1/2 |
| 4                       | K24-329 | 768 | 260 1/2 |
| <b>Moduł A , A + A1</b> |         |     |         |
| 1                       | K22-919 | 567 | 793 2/3 |
| 2                       | K24-120 | 573 | 285 2/3 |
| 3                       | K24-328 | 769 | 285 2/3 |
| 4                       | K24-329 | 768 | 260 2/3 |



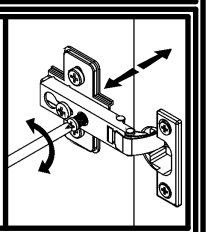
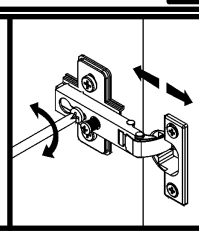
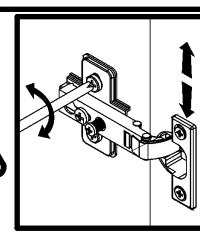
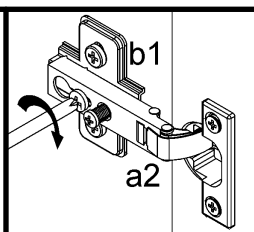
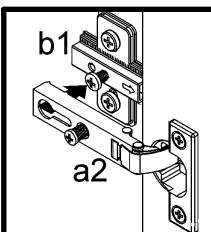
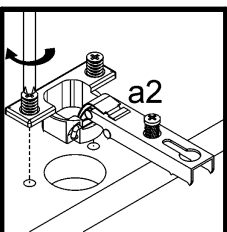
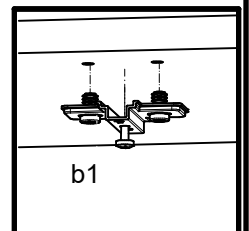
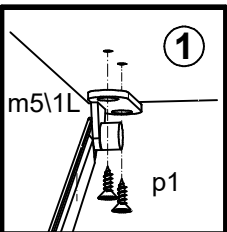
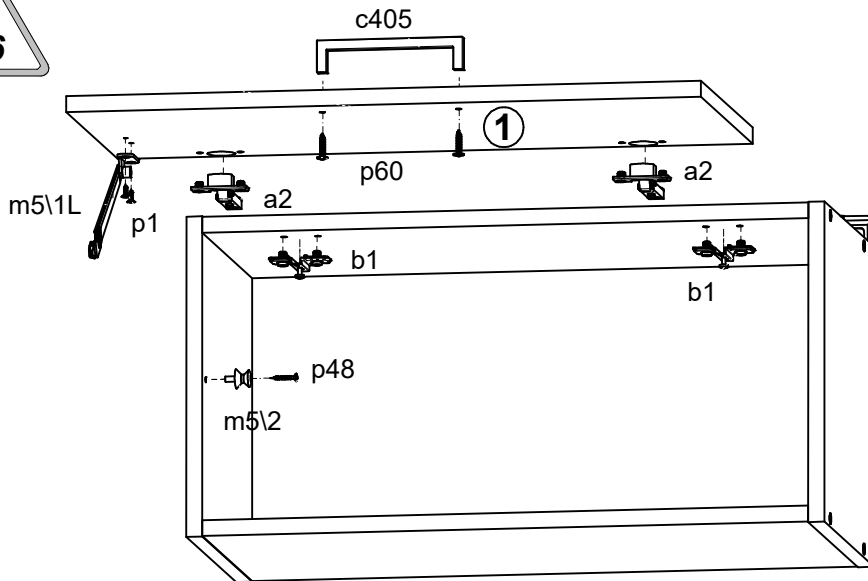
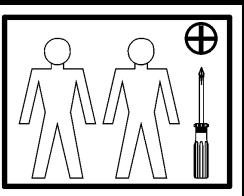
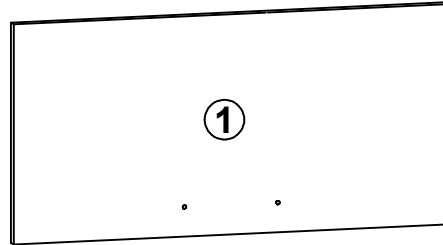
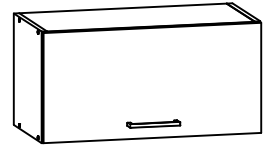
**2** §6



**3**



| A | B       | C   | D   |
|---|---------|-----|-----|
| 1 | K24-019 | 596 | 296 |

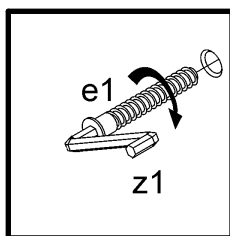
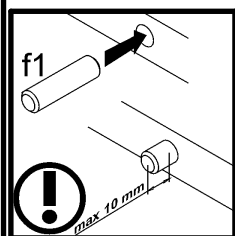
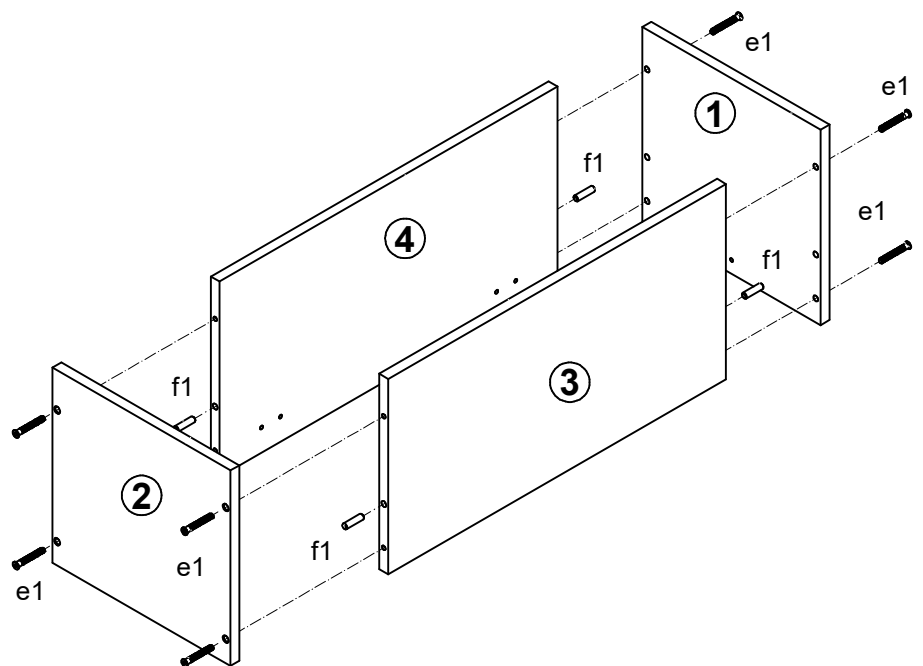
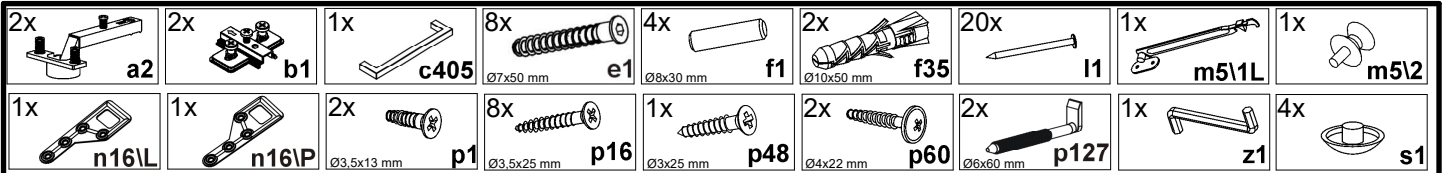
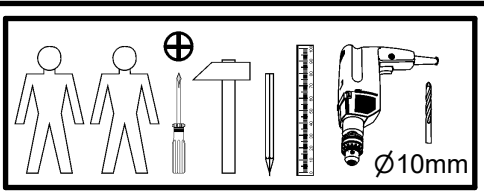
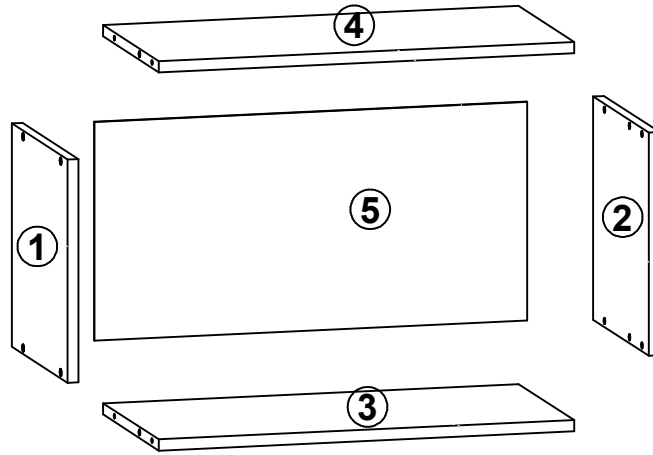


# Junona Line

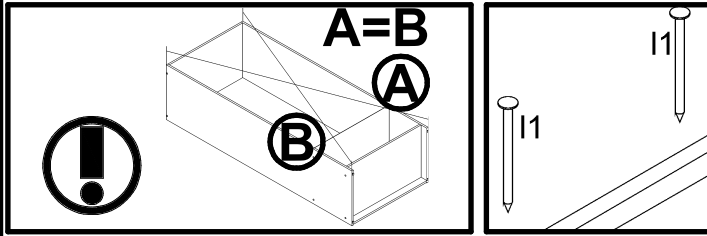
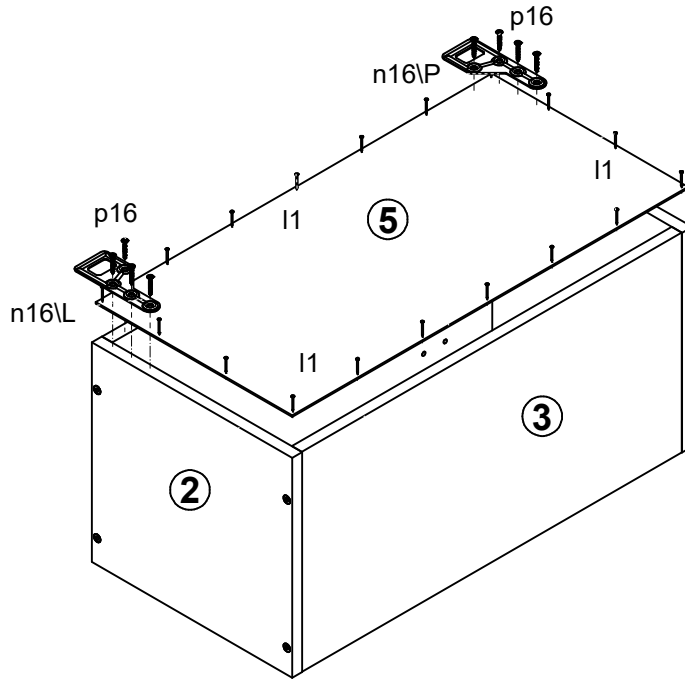
K24-GO/60/30

Moduł C60

| A | B       | C   | D   |
|---|---------|-----|-----|
| 1 | K24-118 | 300 | 285 |
| 2 | K24-119 | 300 | 285 |
| 3 | K24-330 | 569 | 285 |
| 4 | K24-331 | 569 | 285 |
| 5 | K22-920 | 593 | 294 |



**2** §6



**3**

