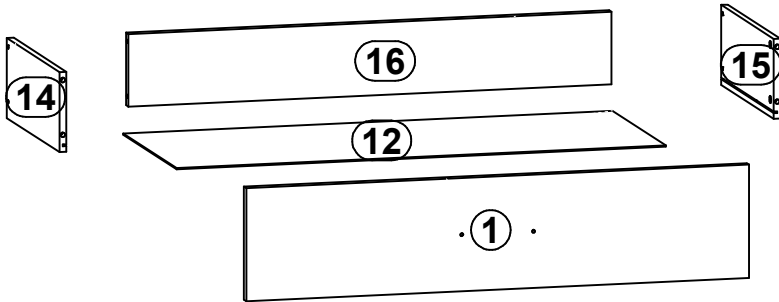
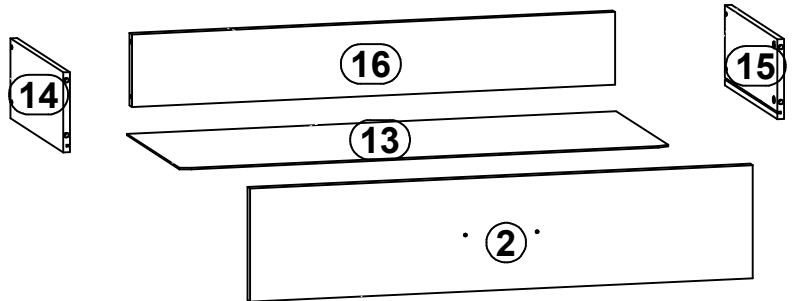
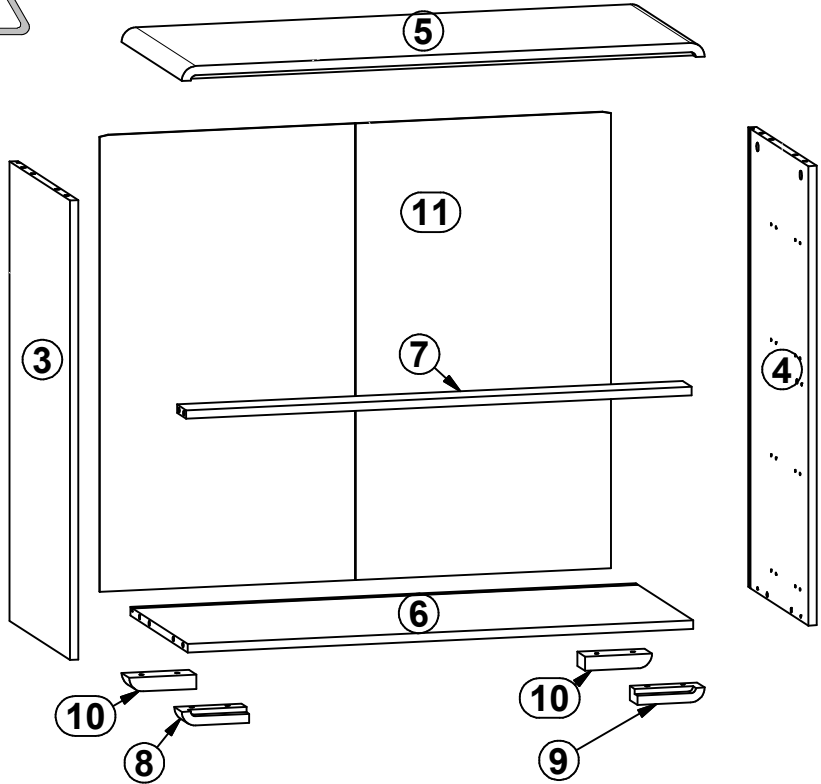
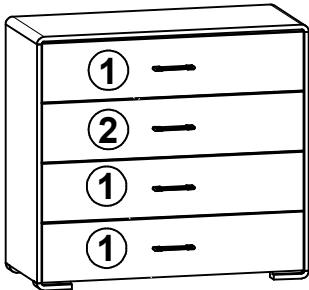
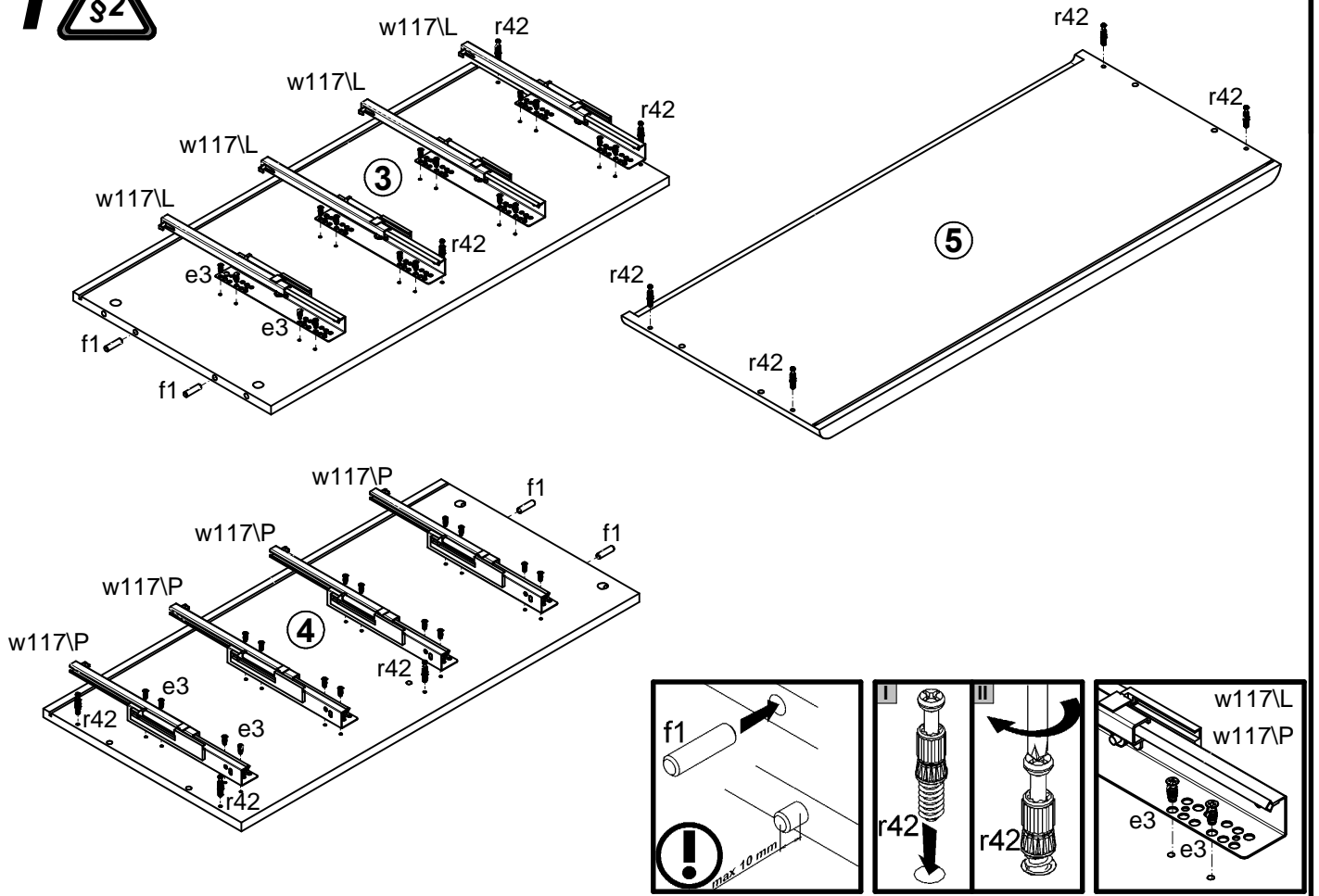


A	B	C	D	
1	S332-0005	896	198	3/3
2	S332-0007	896	198	3/3
3	S332-1005	804	400	1/3
4	S332-1006	804	400	1/3
5	S332-2002	932	400	1/3
6	S332-3005	901	382	1/3
7	S332-4002	901	60	1/3
8	S332-5001	120	50	1/3
9	S332-5002	120	50	1/3
10	S332-5003	120	50	1/3
11	S332-9301	799	911	1/3
12	S332-9005	872	355	1/3
13	S332-9006	872	355	1/3
14	ZQ2-505	350	140	1/3
15	ZQ2-506	350	140	1/3
16	ZQ2-529	861	127	1/3

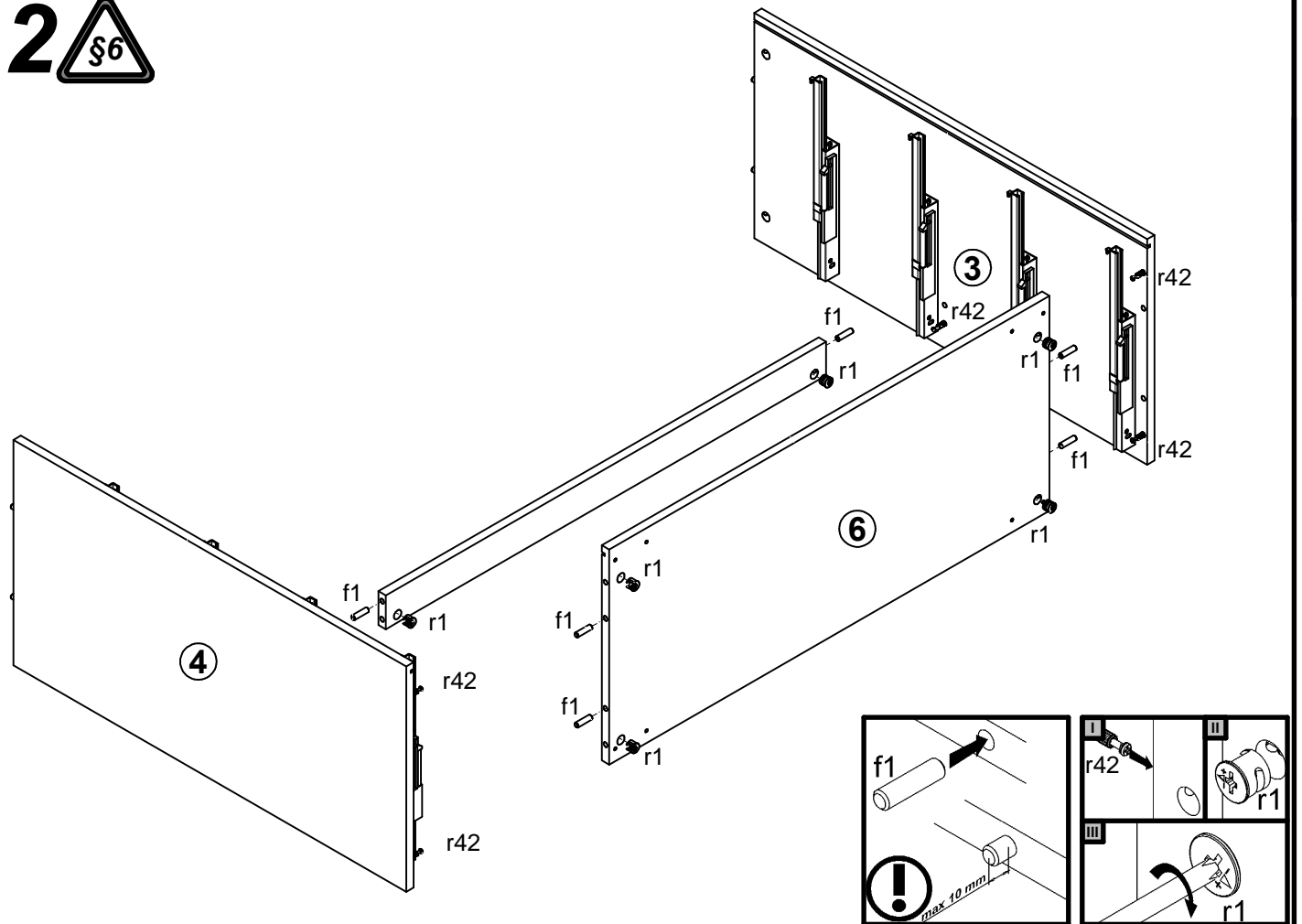


4x 128 mm c424	32x Ø6x13 mm e3	8x Ø6x22 mm e31	10x Ø8x30 mm f1	16x Ø6.5x40 mm f25	8x M4x22 mm j30	12x l2	4x Ø3.5x16 mm p25	4x Ø3.5x10 mm p35
24x Ø3.5x16 mm p38	10x Ø15x12 mm #16 r1	16x Ø12x10.5 mm #12 r15	26x 20/11 r42	4x 350 mm t35	4x 350 mm W117/L	4x 350 mm W117/P	1x n26/1	1x Ø3.5x16 mm p38
2x Ø16 s2								

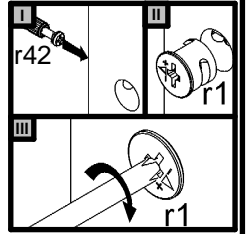
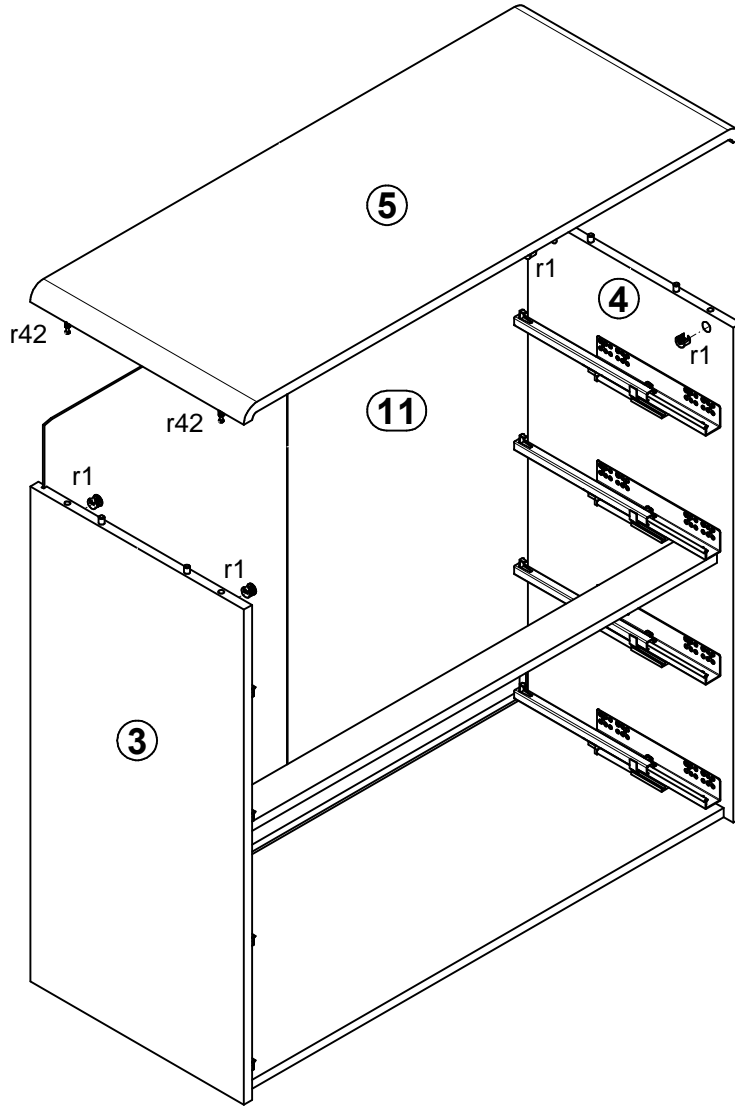
1



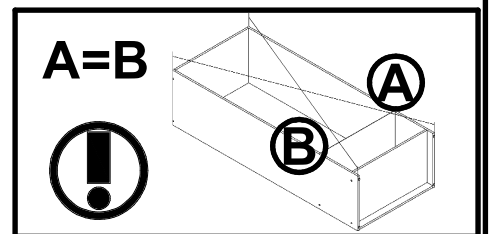
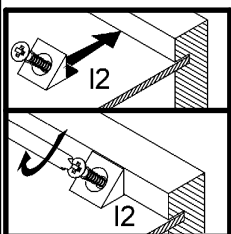
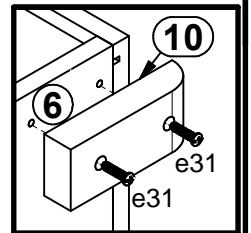
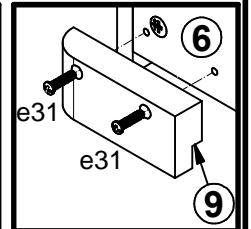
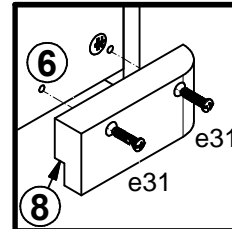
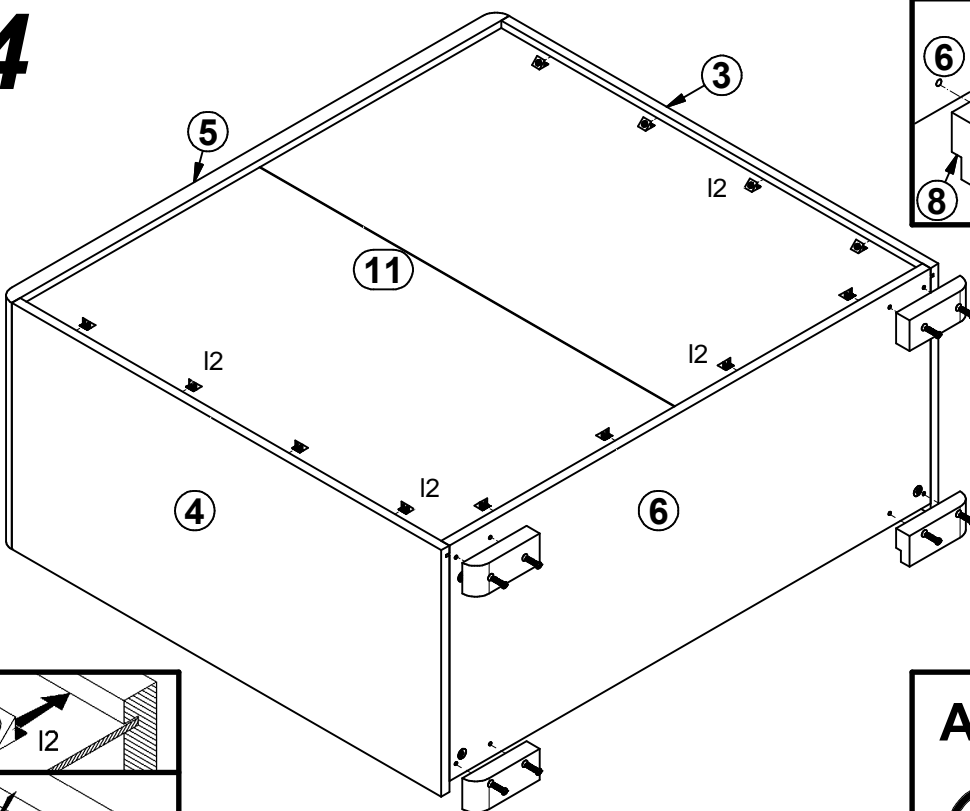
2



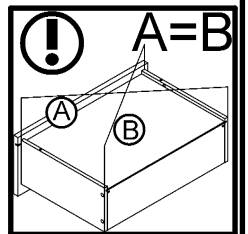
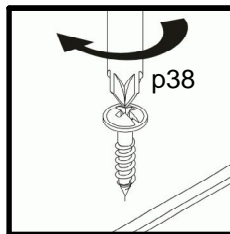
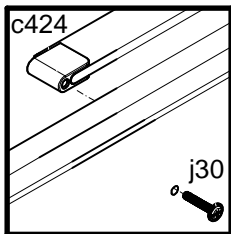
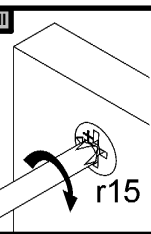
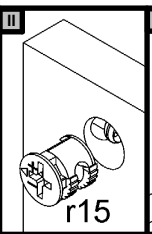
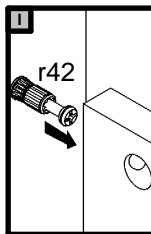
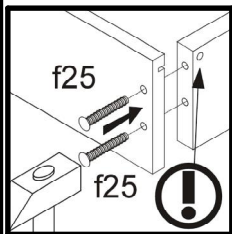
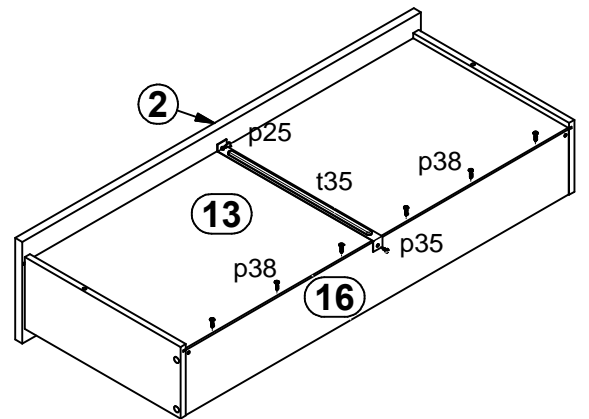
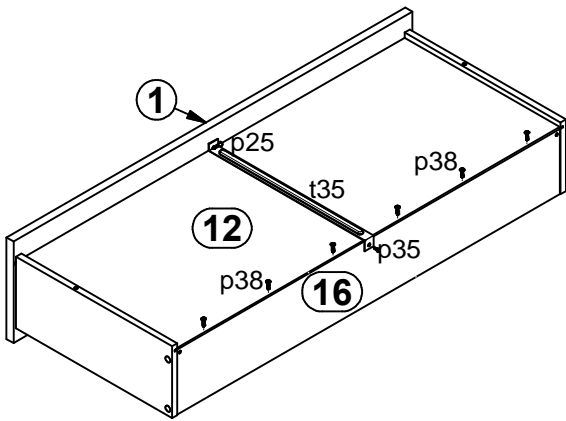
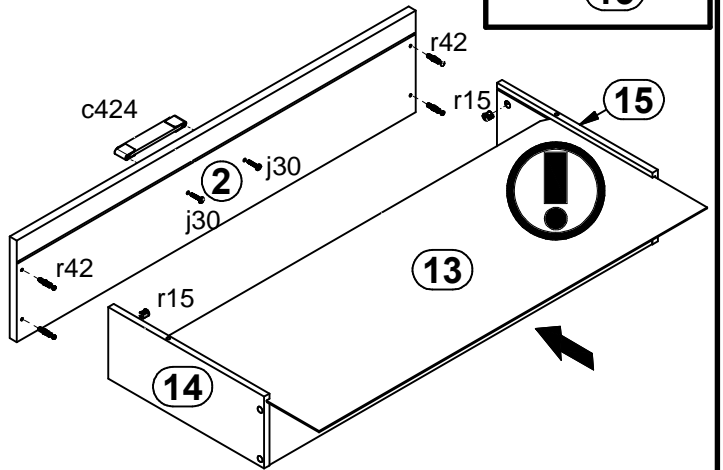
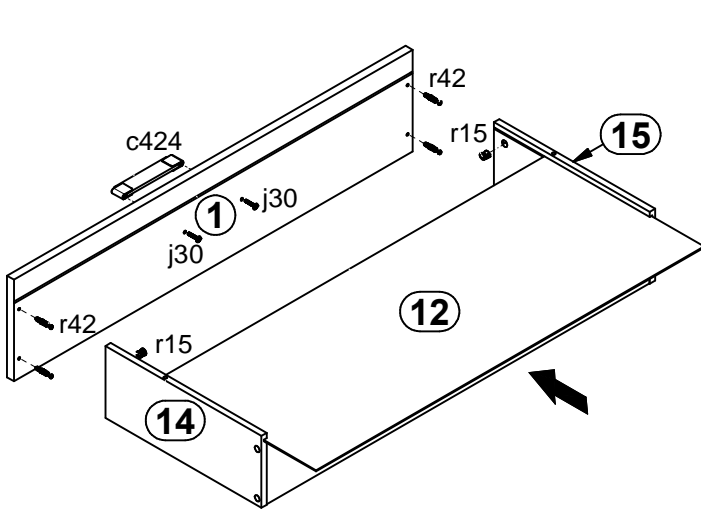
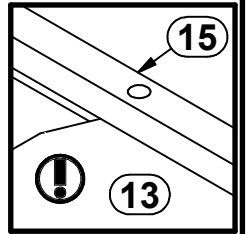
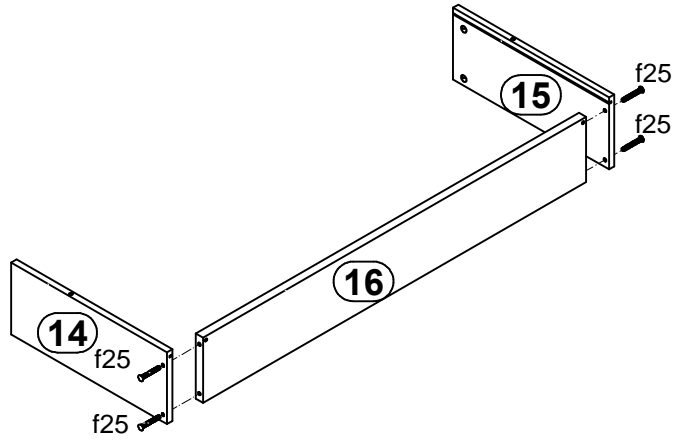
3



4



5



6

