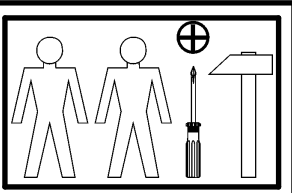
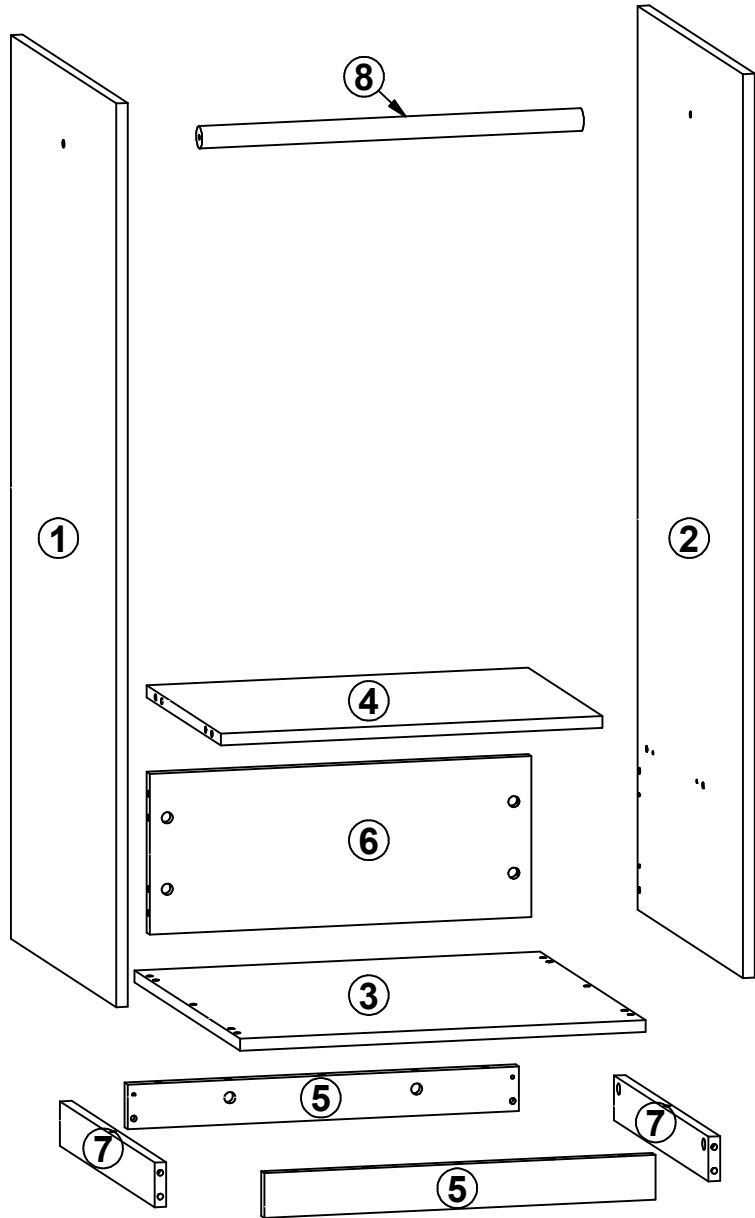
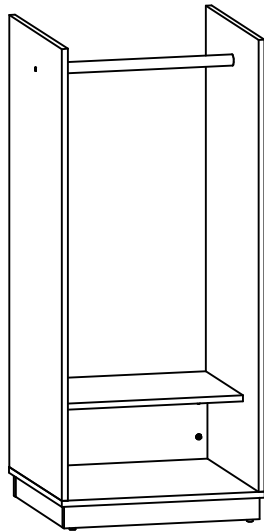






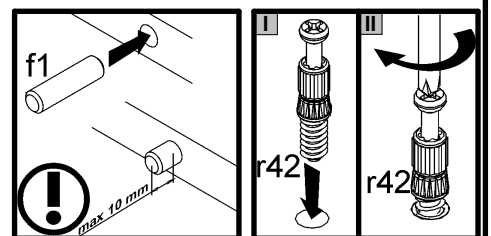
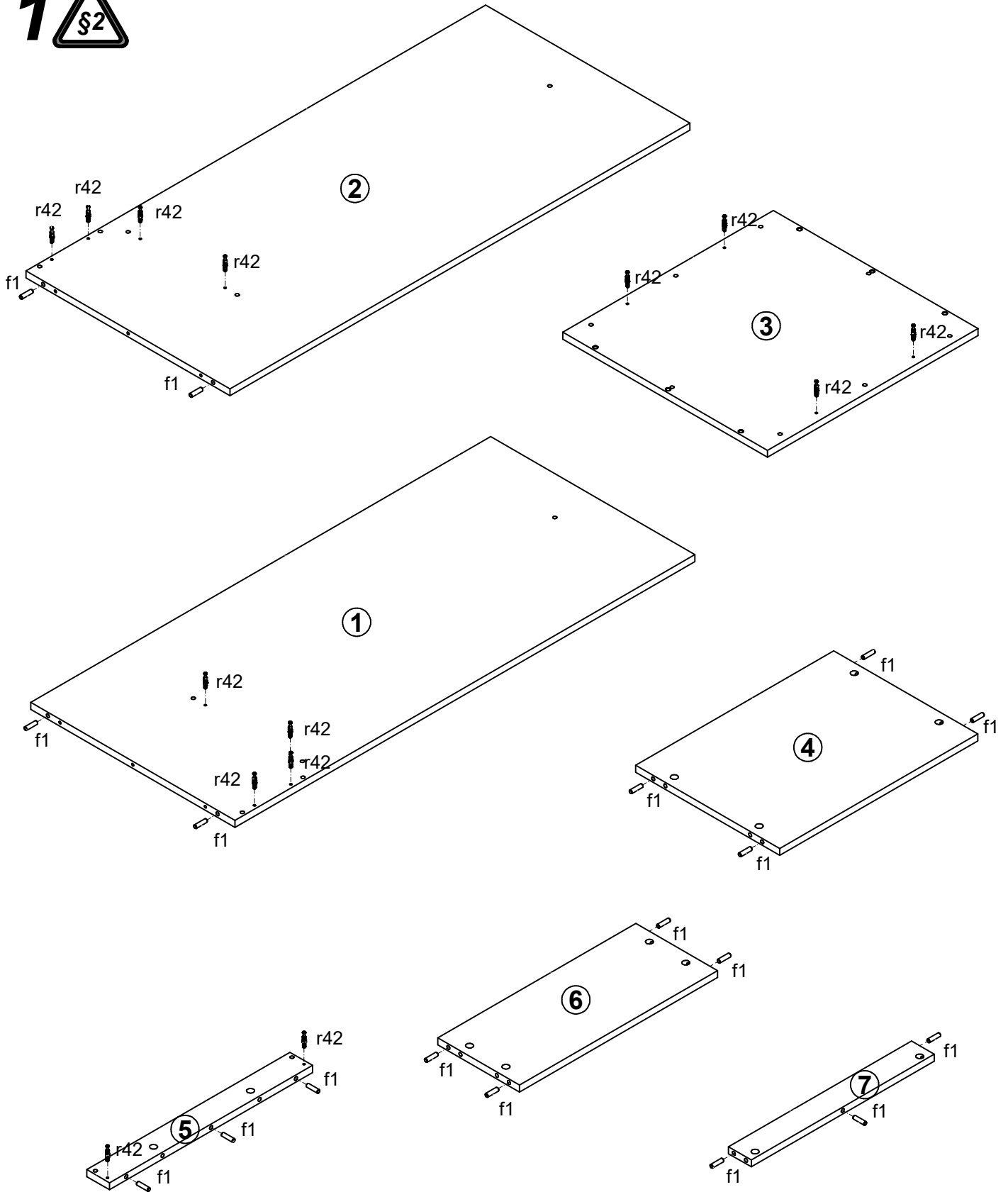


A	B	C	D
1	S406-1011	1214	539
2	S406-1012	1214	539
3	S406-2004	556	540
4	S406-3010	523	380
5	S406-4008	536	60
6	S406-4009	523	216
7	S406-4010	483	60
8	S406-5004	523	30

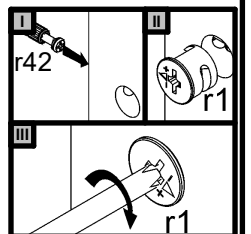
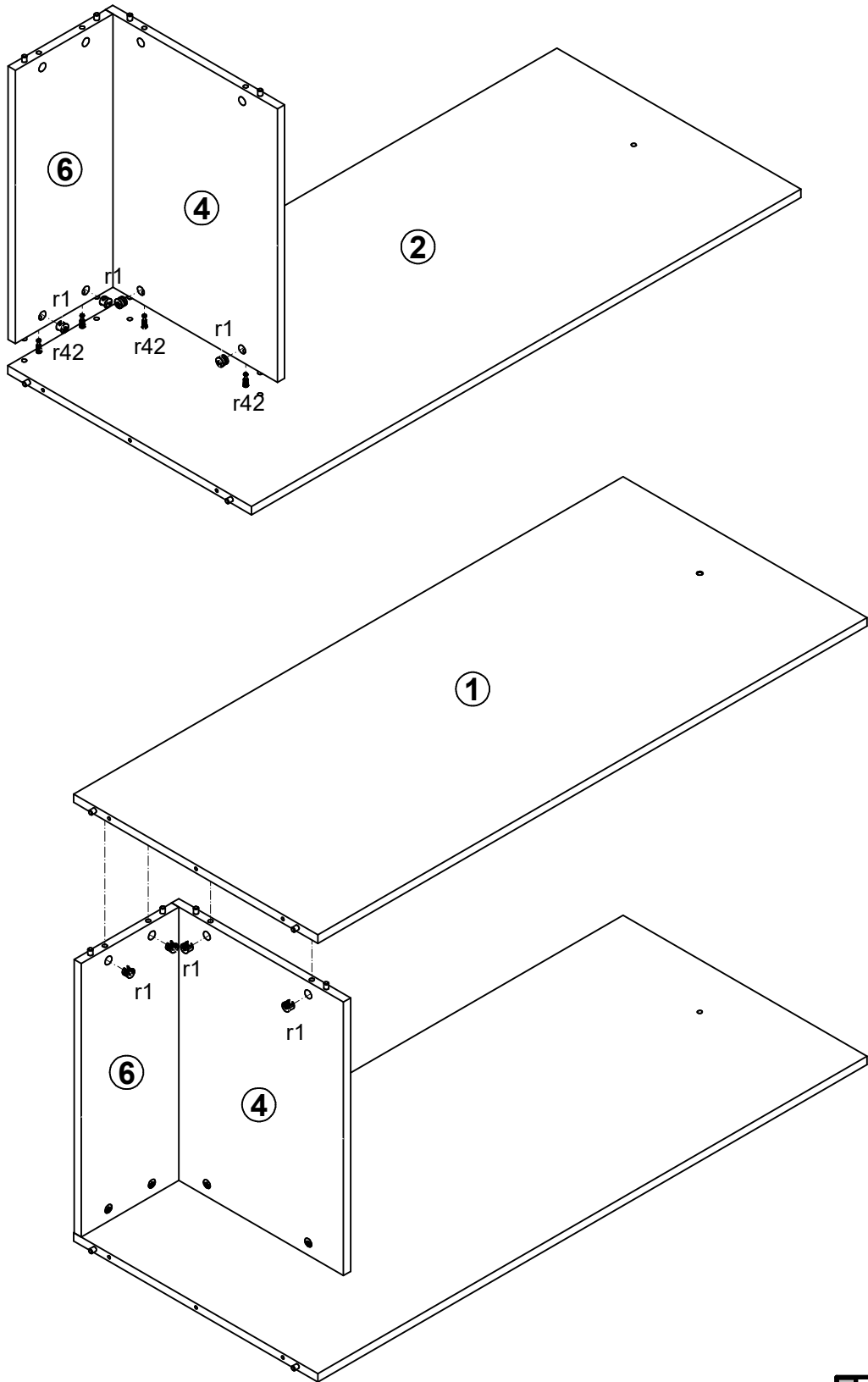


- 8x  e1
Ø7x50 mm
- 24x  f1
Ø8x30 mm
- 4x  k1
- 16x  r1
Ø15x12 mm #16
- 16x  r42
20/11
- 2x  s1
- 4x  s2
Ø16
- 1x  z1
4 mm

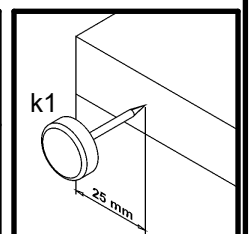
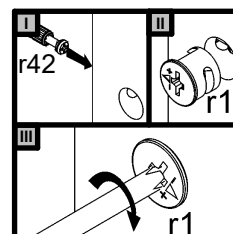
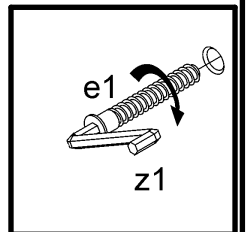
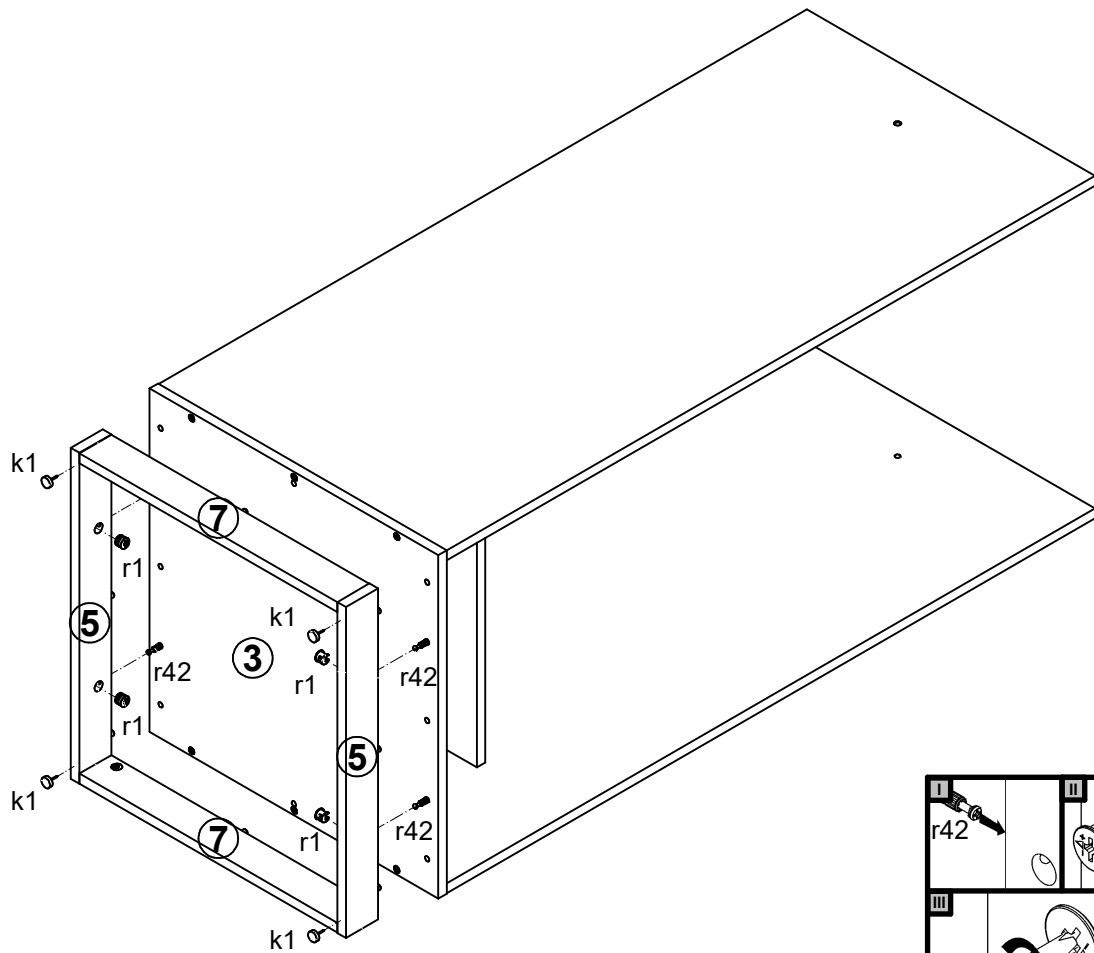
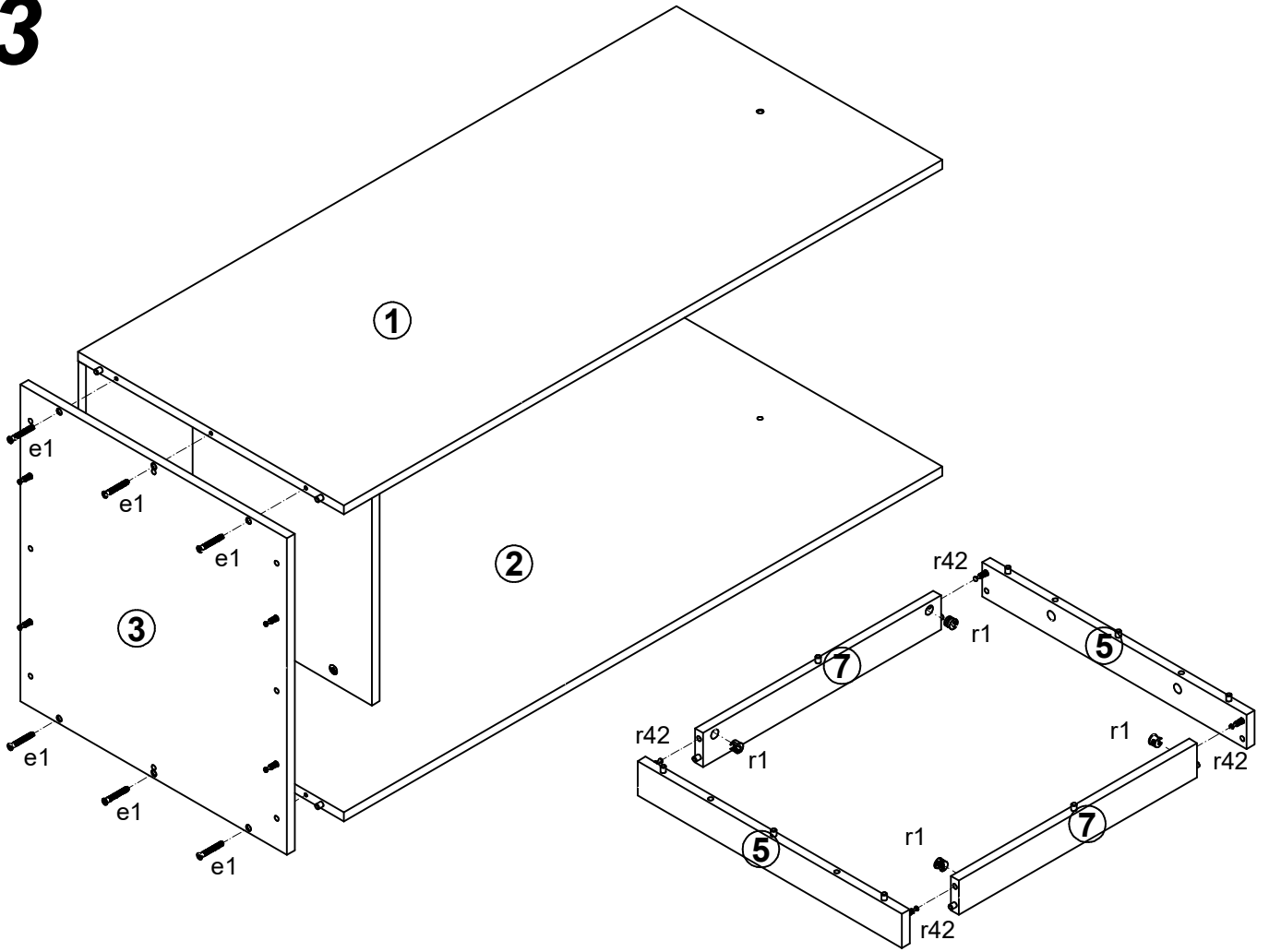
1 



2



3



4

