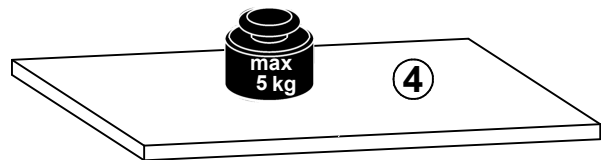
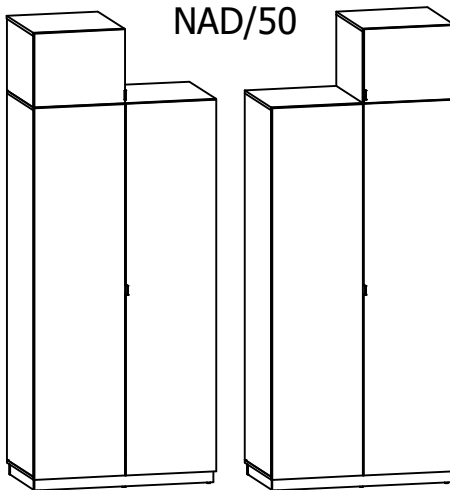
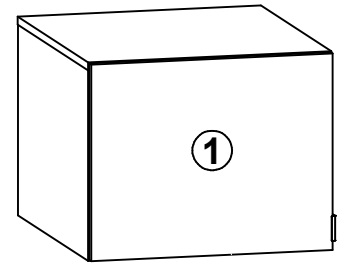
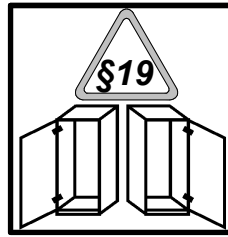
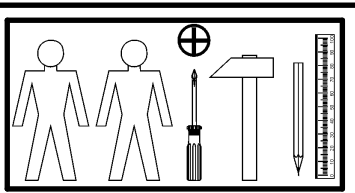
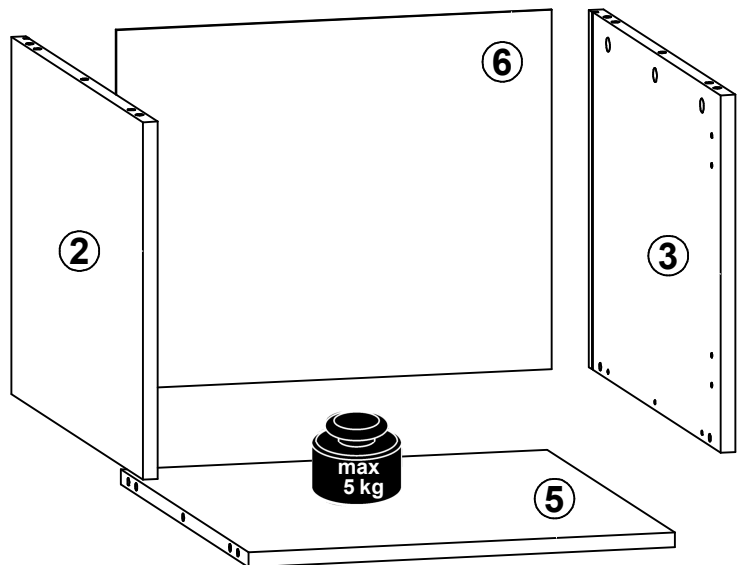
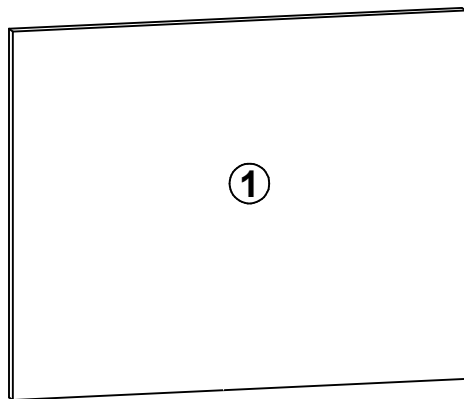


| A | B | C | D |
|---|-----------|-----|-----|
| 1 | S406-0006 | 396 | 496 |
| 2 | S406-1016 | 384 | 539 |
| 3 | S406-1017 | 384 | 539 |
| 4 | S406-2009 | 500 | 540 |
| 5 | S406-3015 | 522 | 467 |
| 6 | S406-9006 | 477 | 386 |

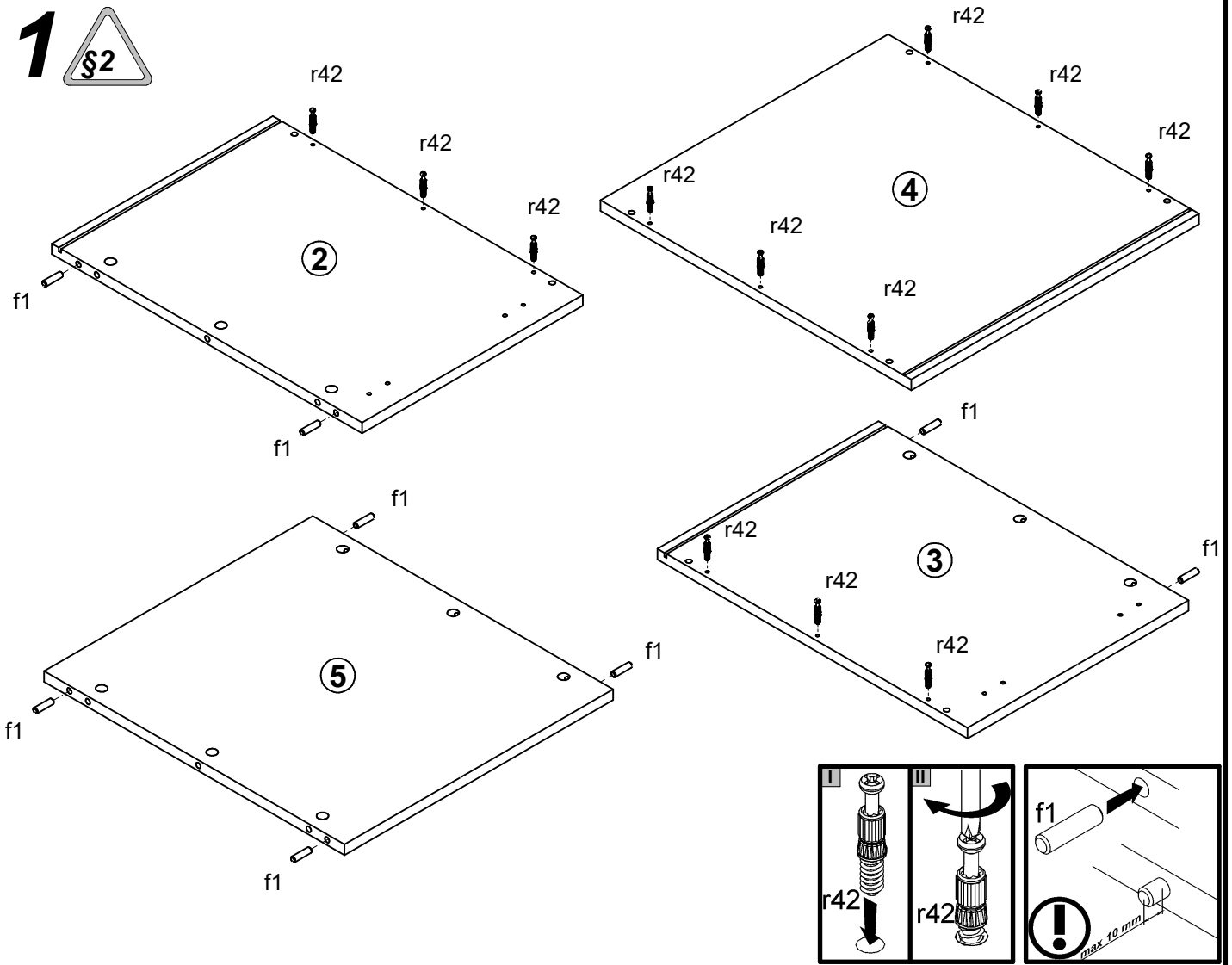


SZF2D

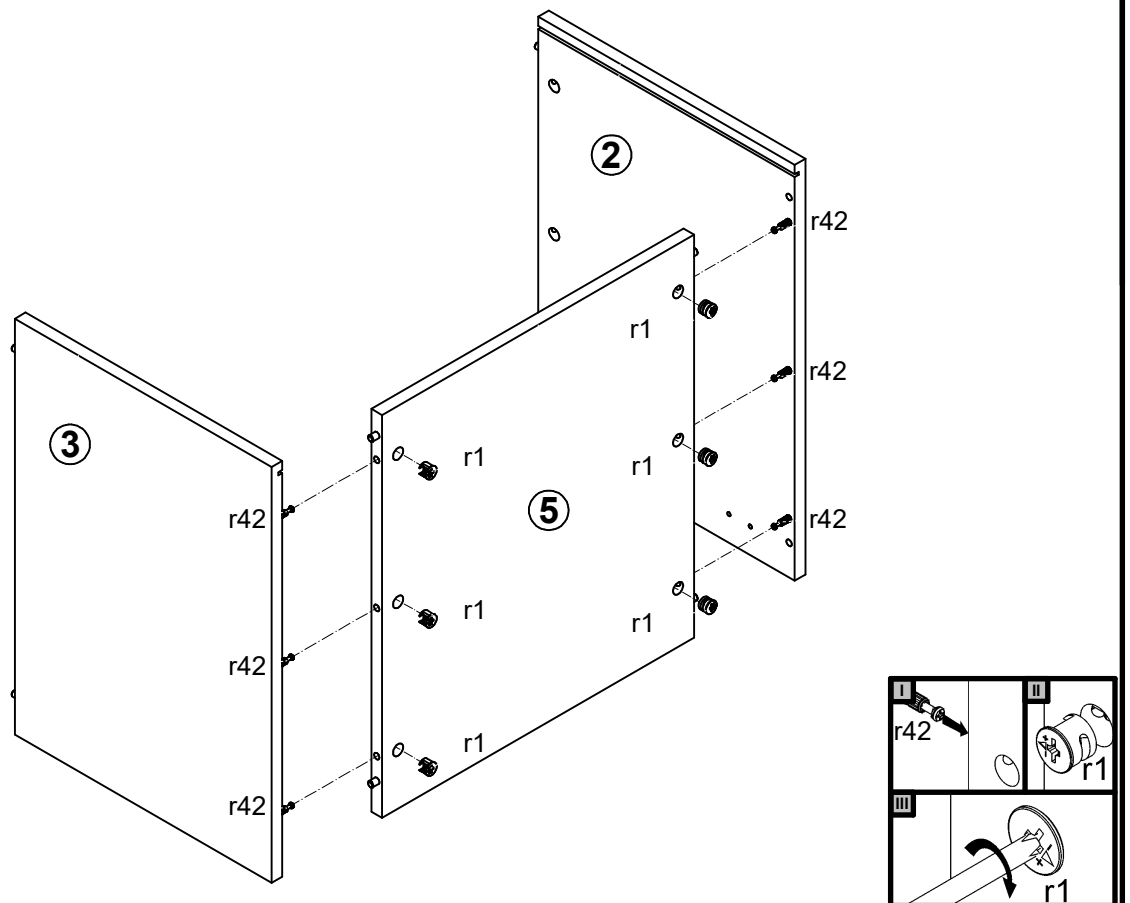


| | | | | | | | | |
|--------------------------|-----------------------------|-----------------------------|------------------------------|--------------------------------|--------------------------|---------------------------|--------------|-----------------------------|
| 1x a133 | 2x a158 | 2x b43 | 1x 32 mm c478 | 4x Ø6,3x13 mm e2 | 8x Ø8x30 mm f1 | 5x 1,4x20 mm l1 | 4x l2 | 2x 62x12/1 mm n52 |
| 2x silikon o21 | 6x Ø3,5x16 mm p25 | 4x Ø3,5x15 mm p51 | 2x Ø3,5x14 mm p133 | 12x Ø15x12 mm #16 r1 | 12x 20x11 r42 | 6x Ø16 s2 | | |

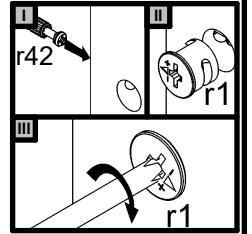
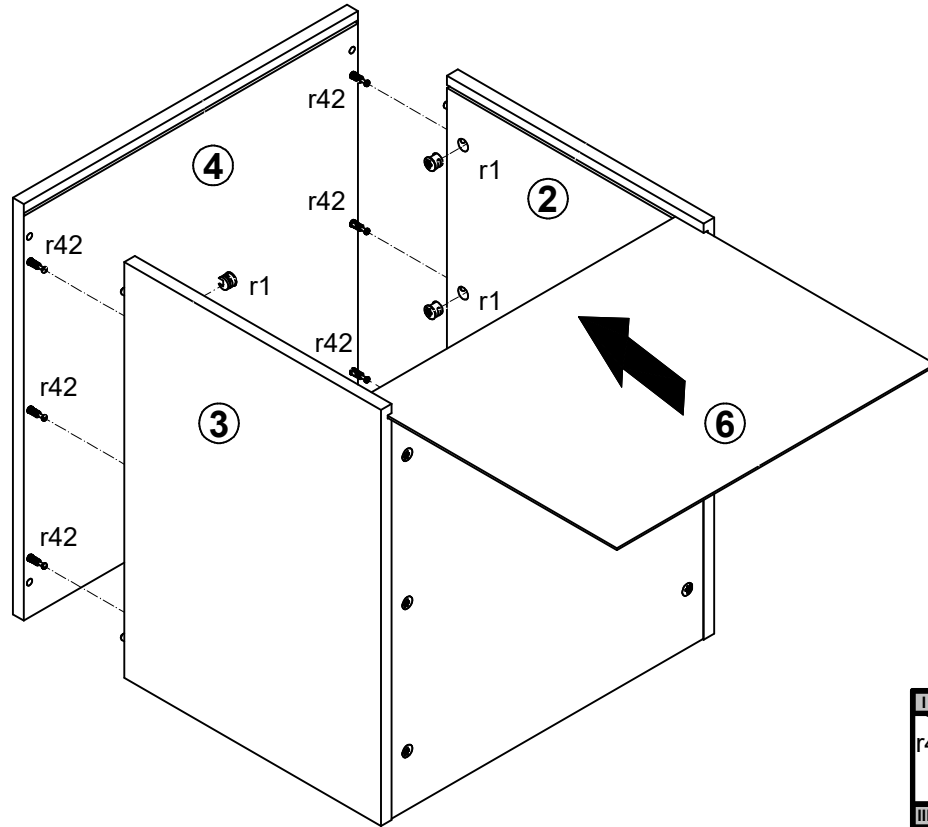
1



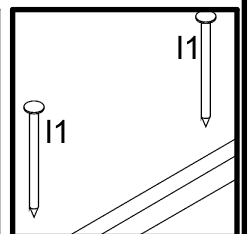
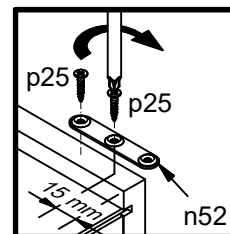
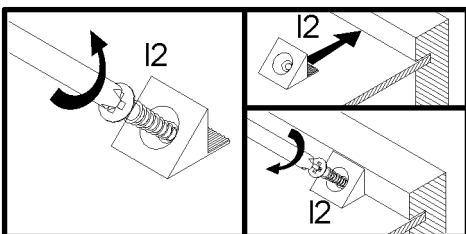
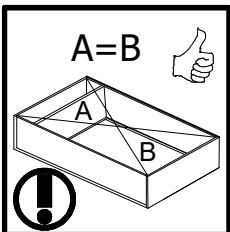
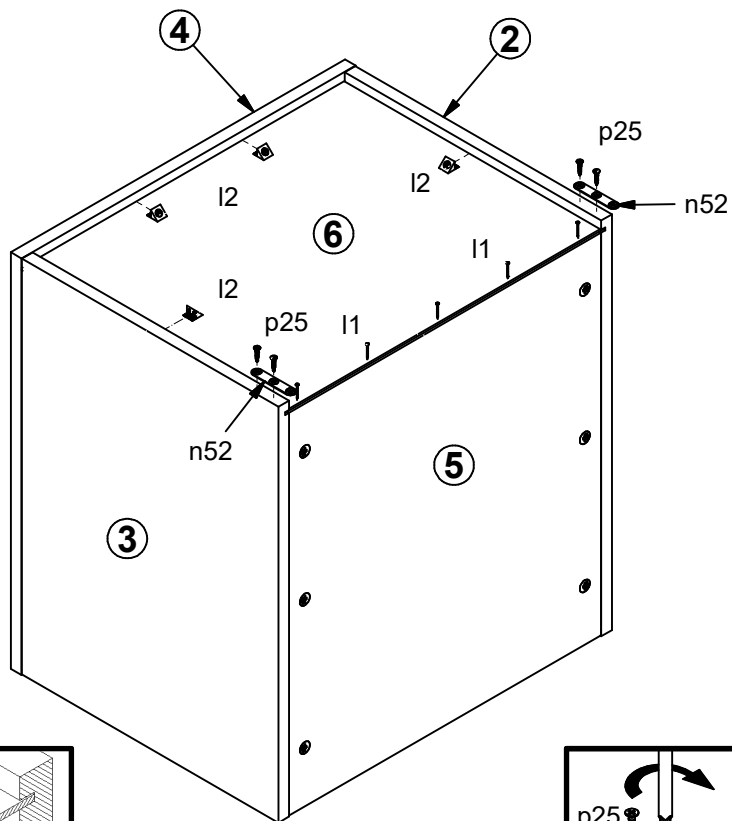
2



3



4



5

