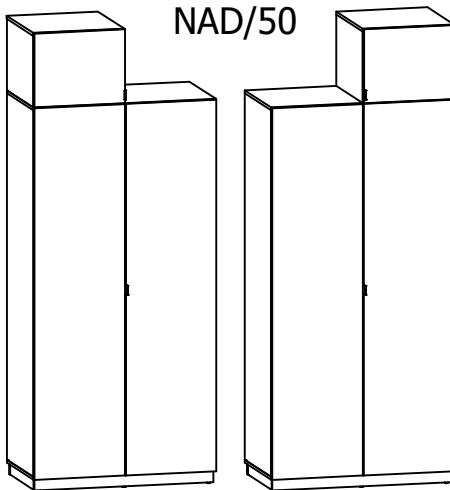
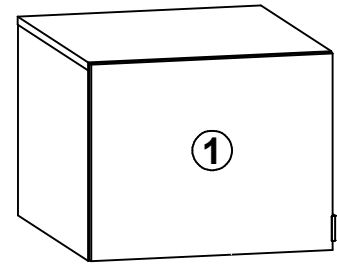
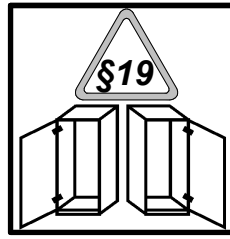
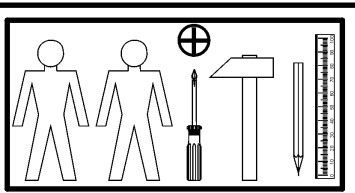
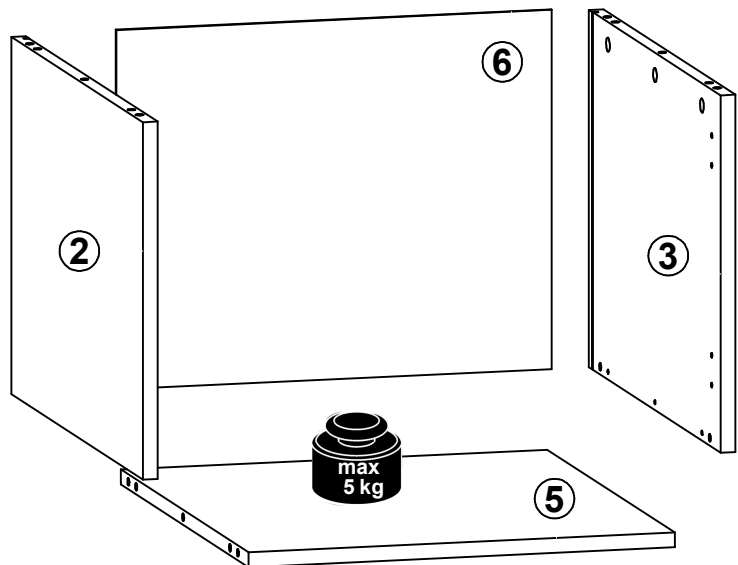
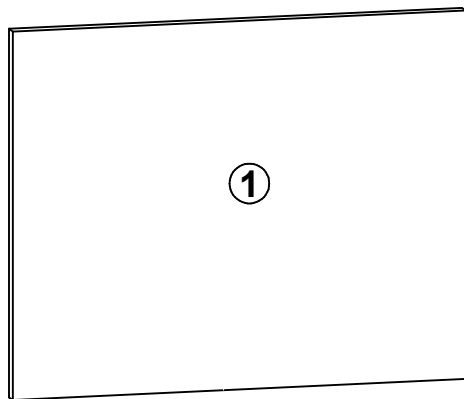
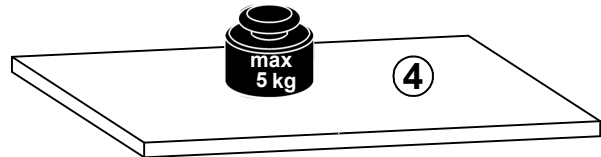


A	B	C	D
1	S406-0006	396	496
2	S406-1016	384	539
3	S406-1017	384	539
4	S406-2009	500	540
5	S406-3015	522	467
6	S406-9006	477	386

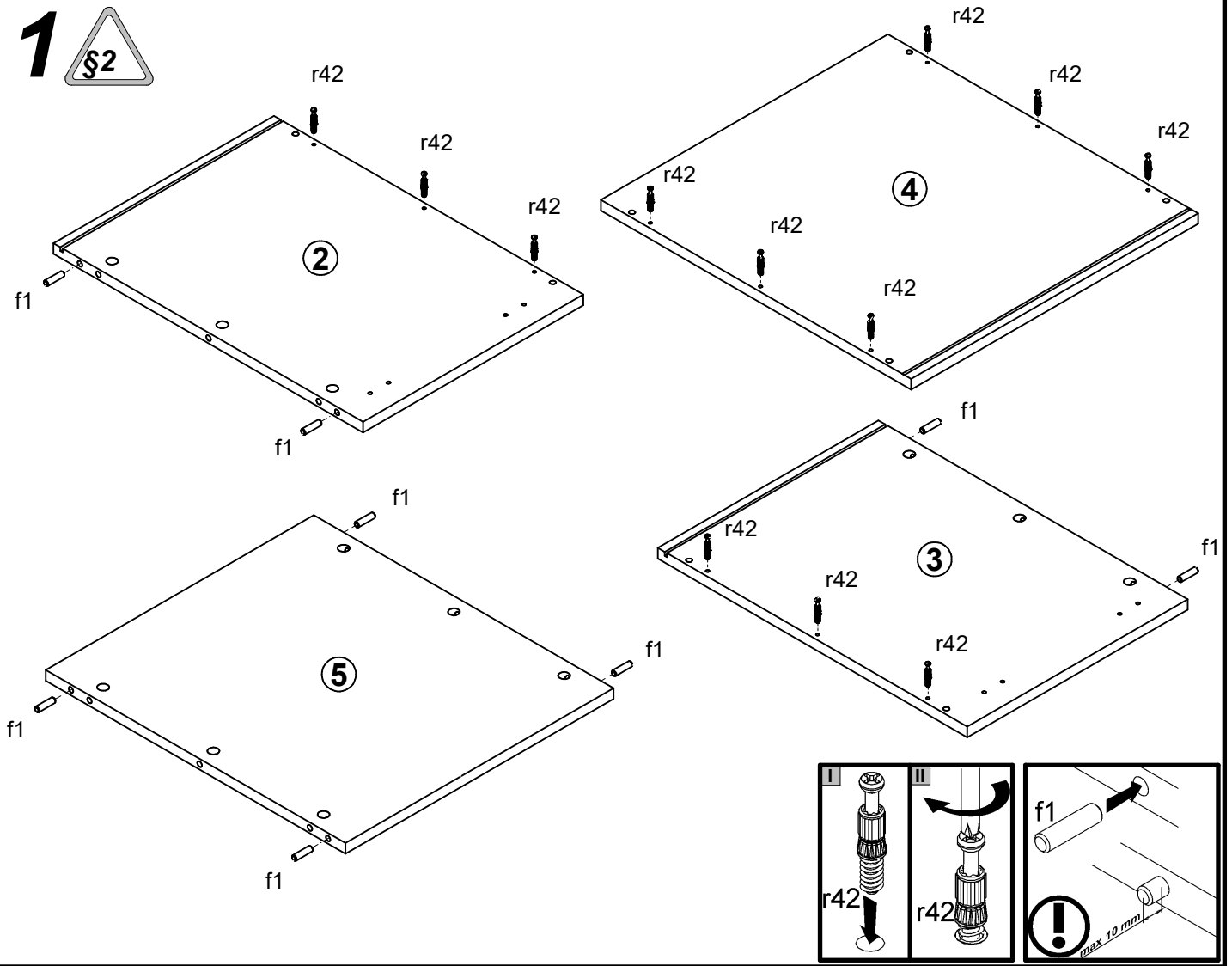


SZF2D

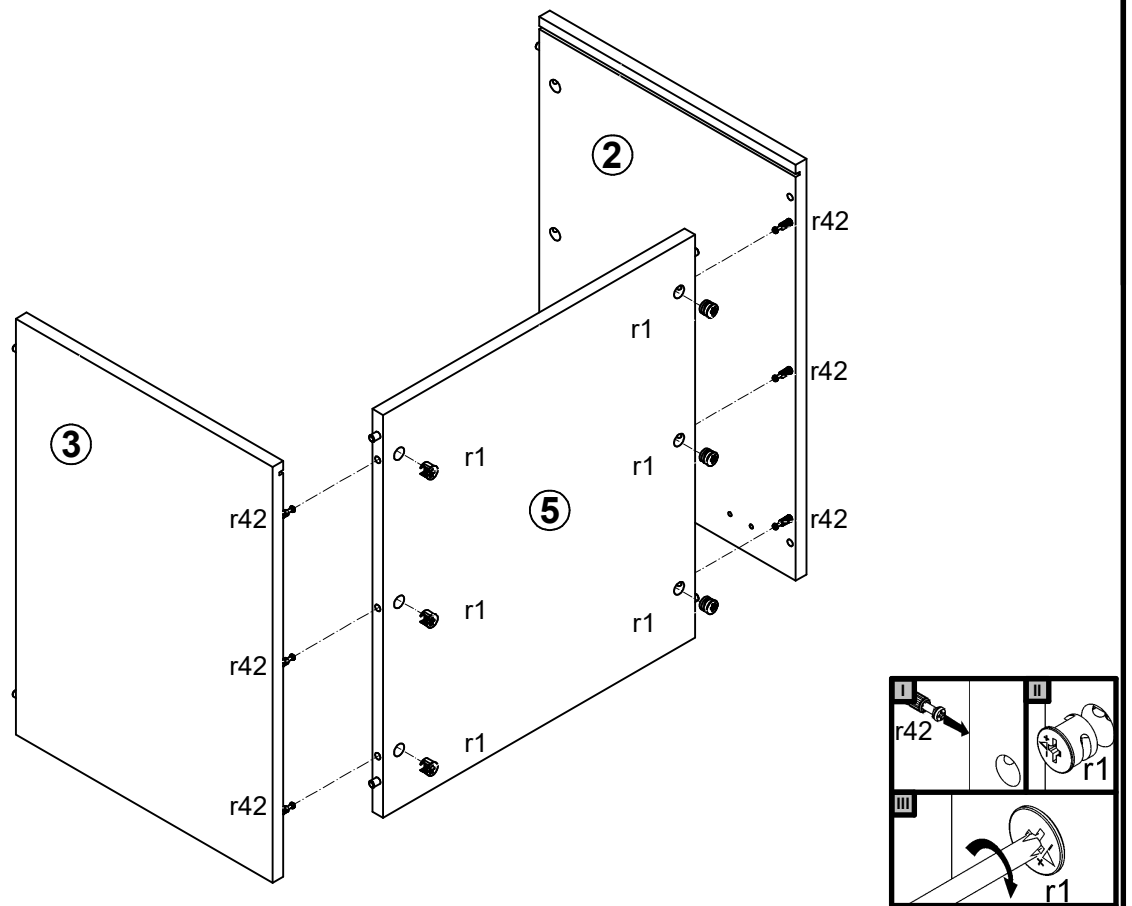


1x  a133	2x  a158	2x  b43	1x  32 mm c478	4x  Ø6,3x13 mm e2	8x  Ø8x30 mm f1	5x  1,4x20 mm l1	4x  l2	2x  62x12/1 mm n52
2x  silikon o21	6x  Ø3,5x16 mm p25	4x  Ø3,5x15 mm p51	2x  Ø3,5x14 mm p133	12x  Ø15x12 mm #16 r1	12x  20/11 r42	6x  Ø16 s2		

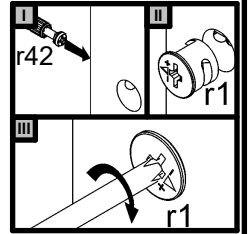
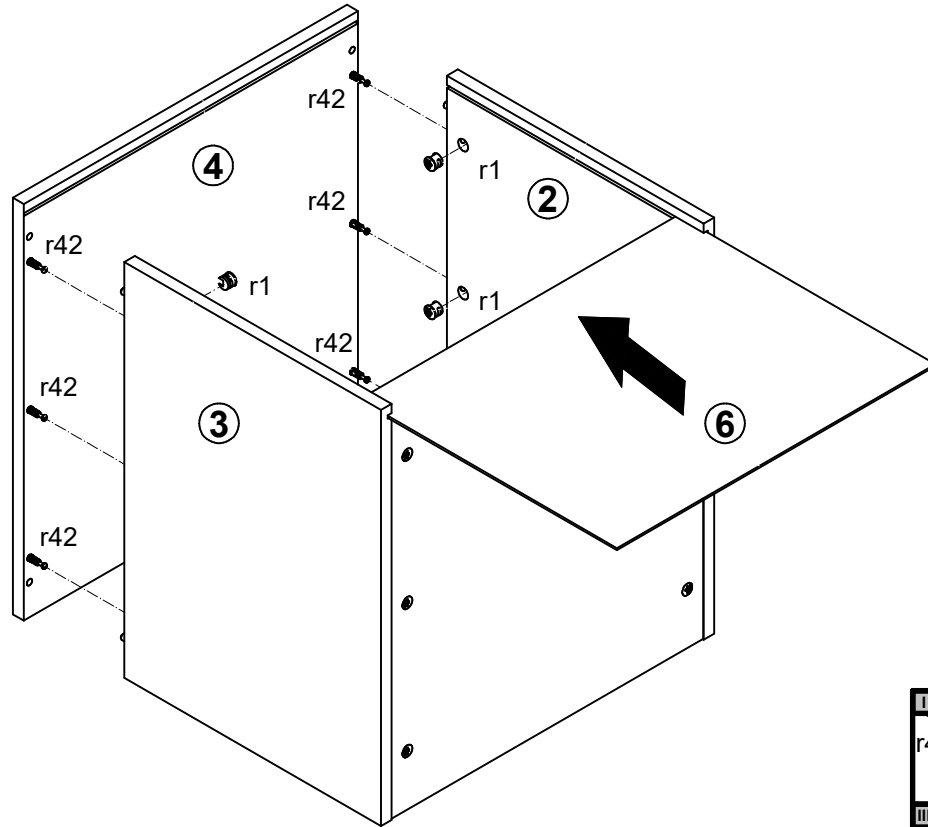
# 1



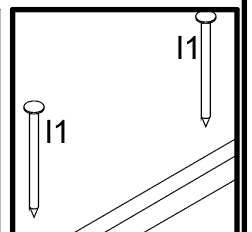
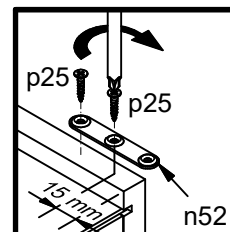
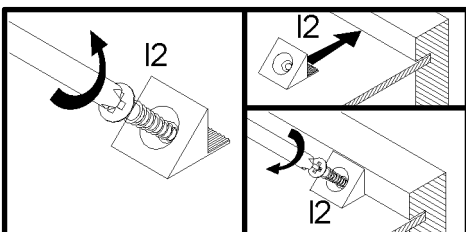
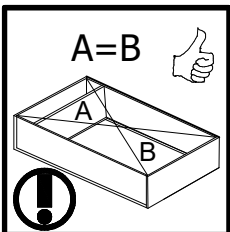
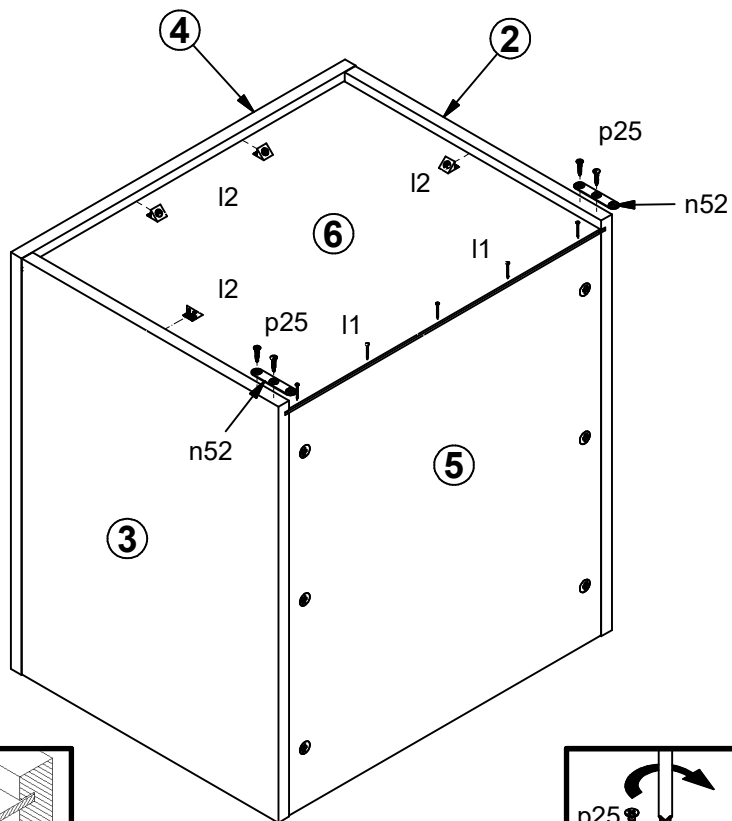
# 2



# 3



# 4



# 5

