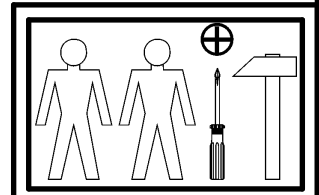
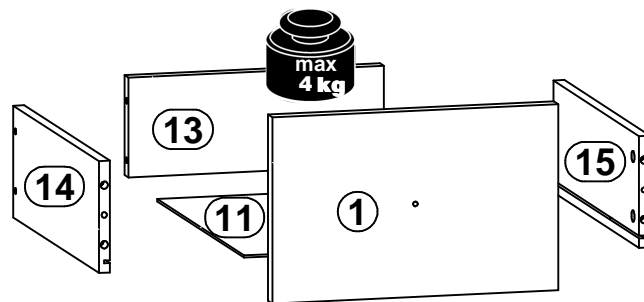
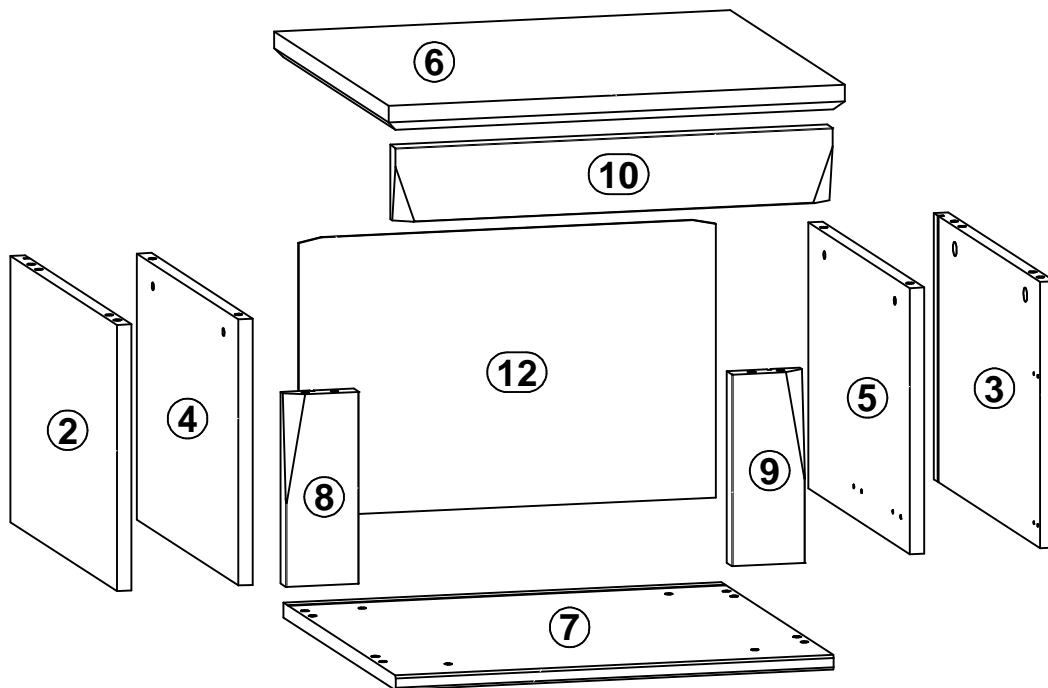
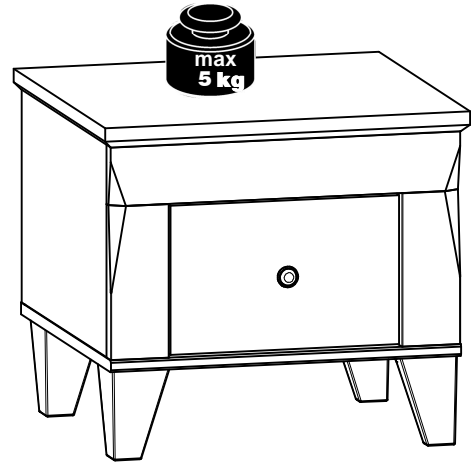
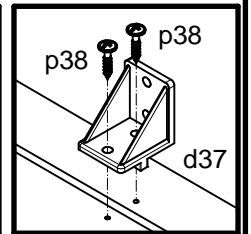
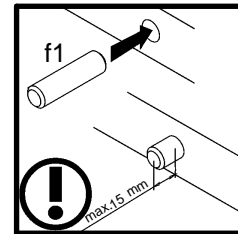
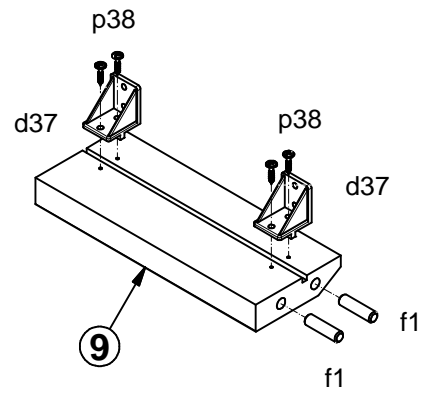
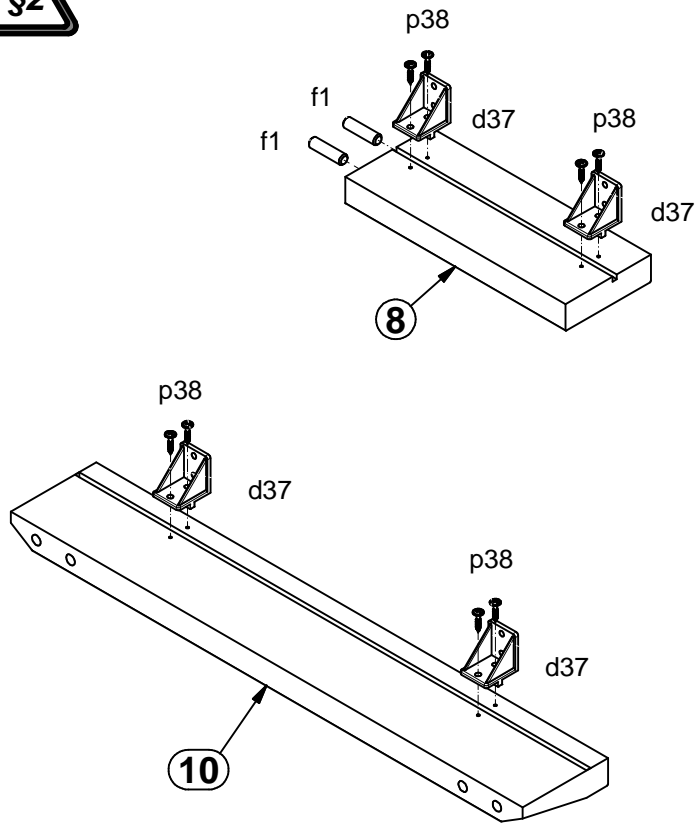


A	B	C	D
1	S359-0025	313	200
2	S359-1030	286	435
3	S359-1031	286	435
4	S359-1032	286	415
5	S359-1033	286	415
6	S359-2011	500	468
7	S359-2012	480	460
8	S359-5025	206	80
9	S359-5026	206	80
10	S359-5027	479	80
11	S359-9008	290	355
12	S359-9009	457	299
13	ZQ2-1515	280	107
14	ZQ3-507	350	120
15	ZQ3-508	350	120

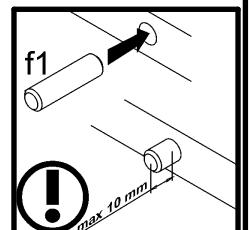
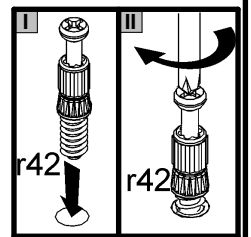
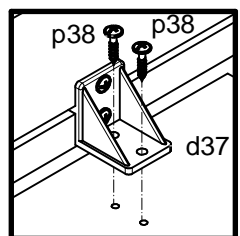
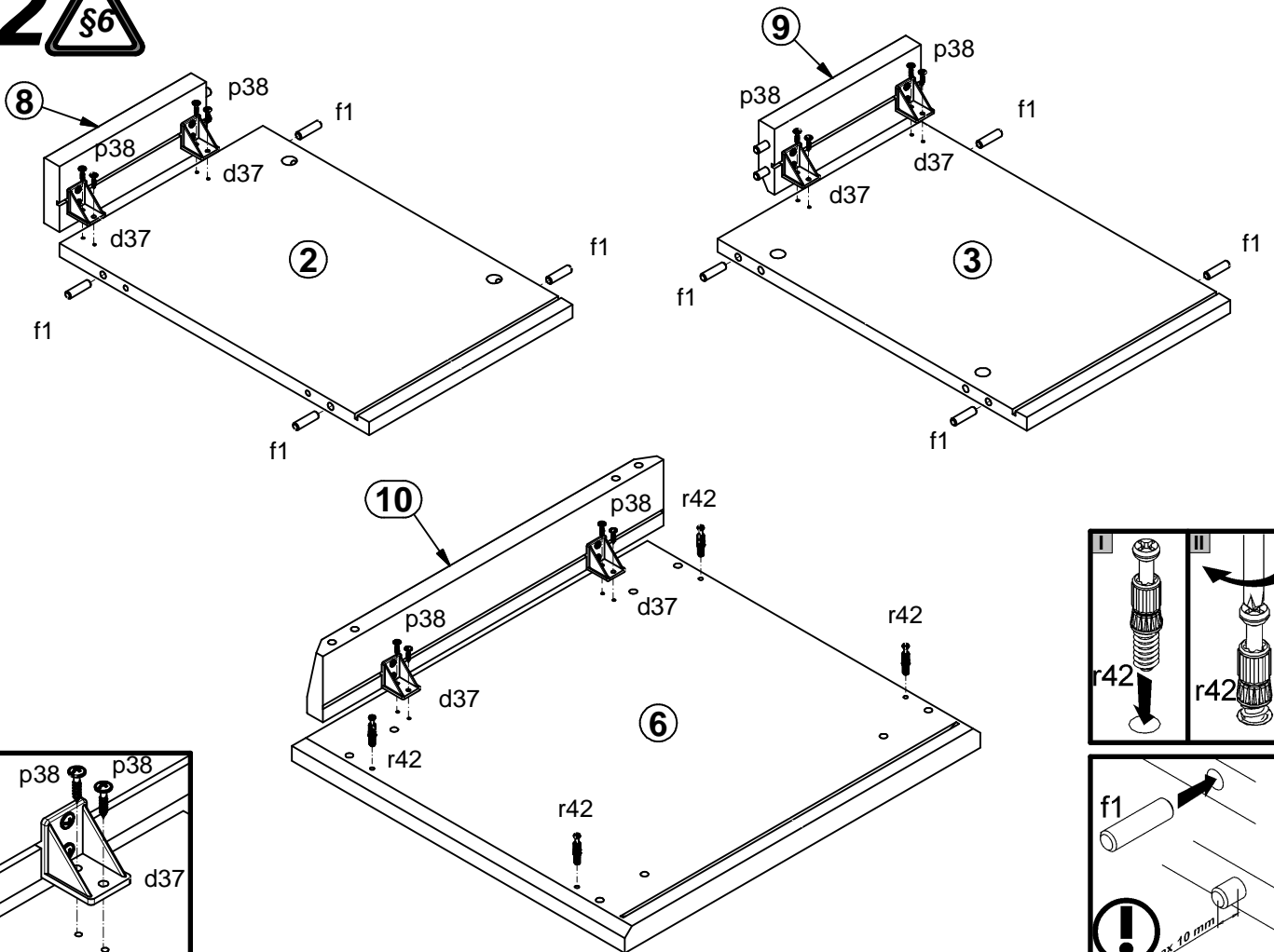


1x M4 c415	6x d37	4x Ø7x50 mm e1	8x Ø6x13 mm e3	12x Ø5x18 mm e58	20x Ø8x30 mm f1	4x Ø6.5x40 mm f25	2x Ø6x30 mm f9	1x M4x22 mm j30
4x k125	6x l2	27x Ø3.5x16 mm p38	4x Ø15x12 mm #16 r1	4x Ø12x10.5 mm #12 r15	8x 20x11 r42	1x 350 mm W117L	1x 350 mm W117P	1x 4 mm z1
						1x n26\1	1x Ø3.5x16 mm p38	

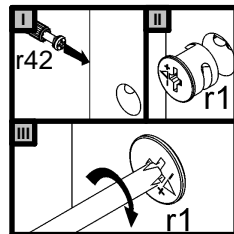
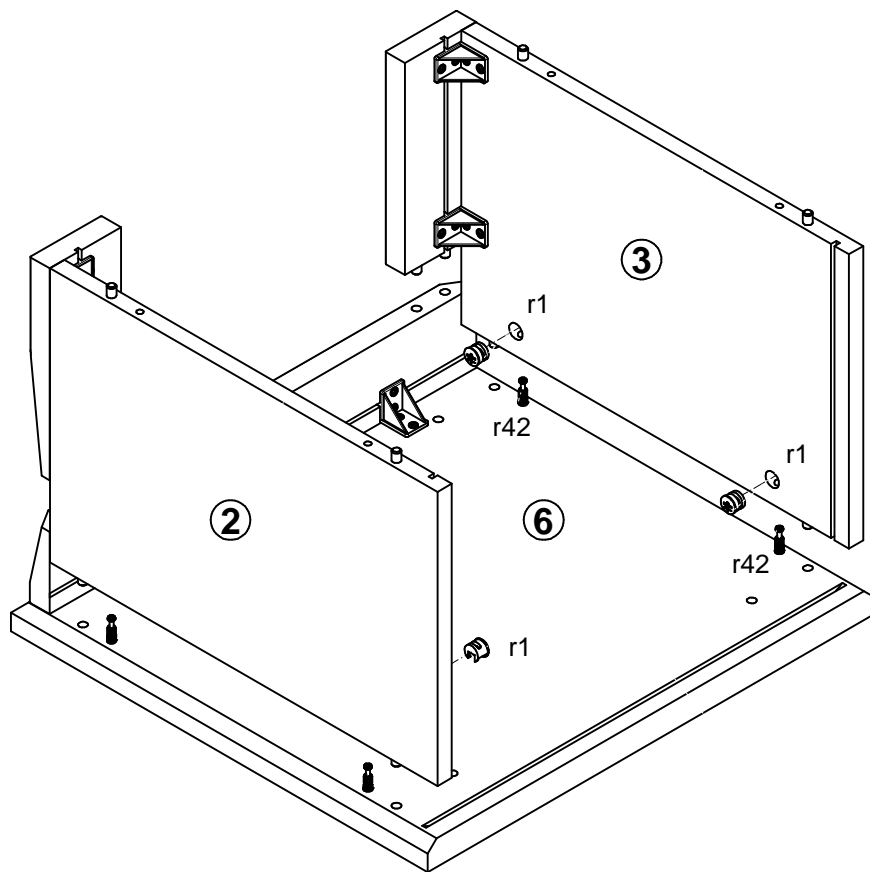
1



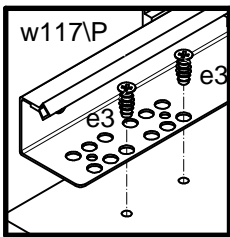
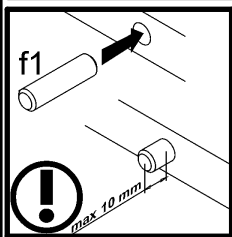
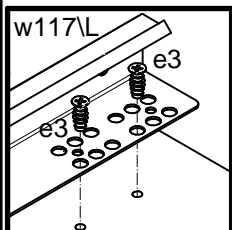
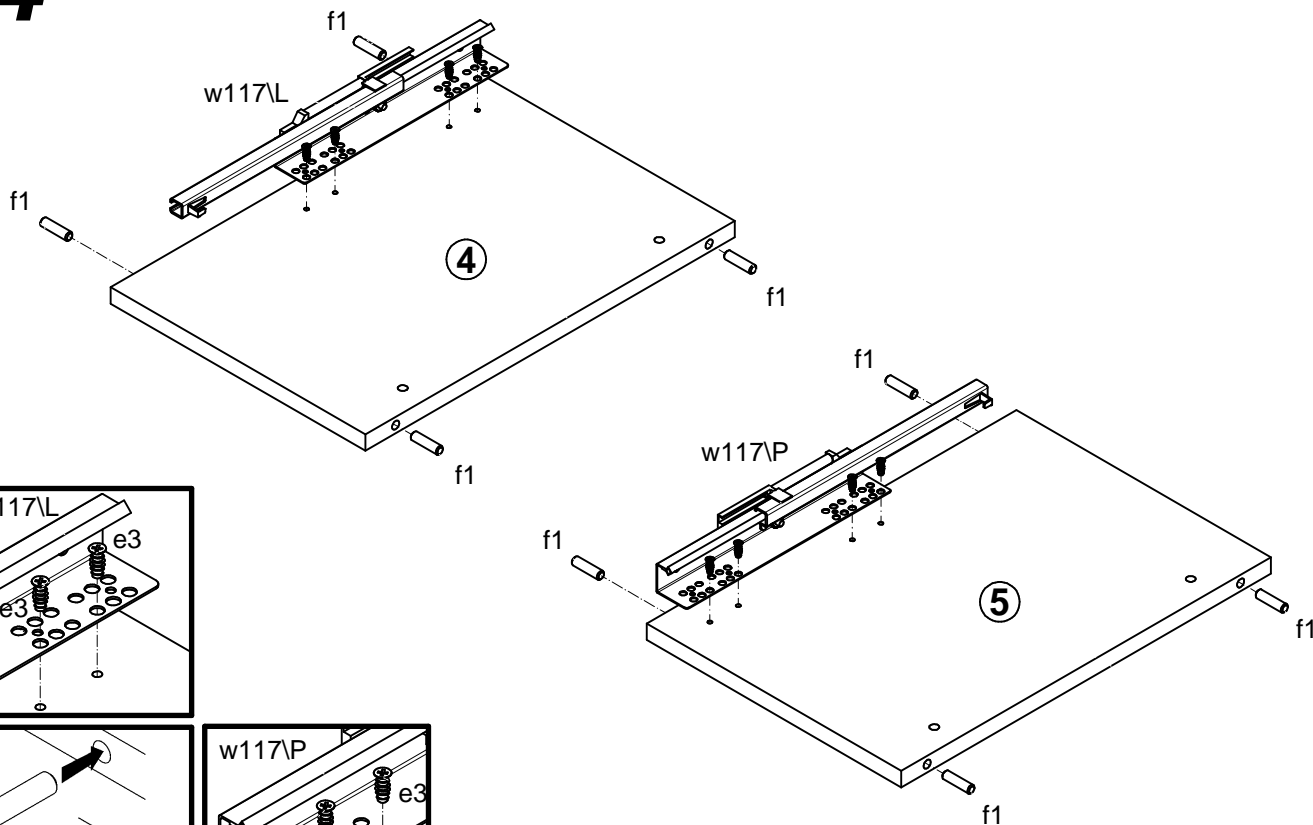
2



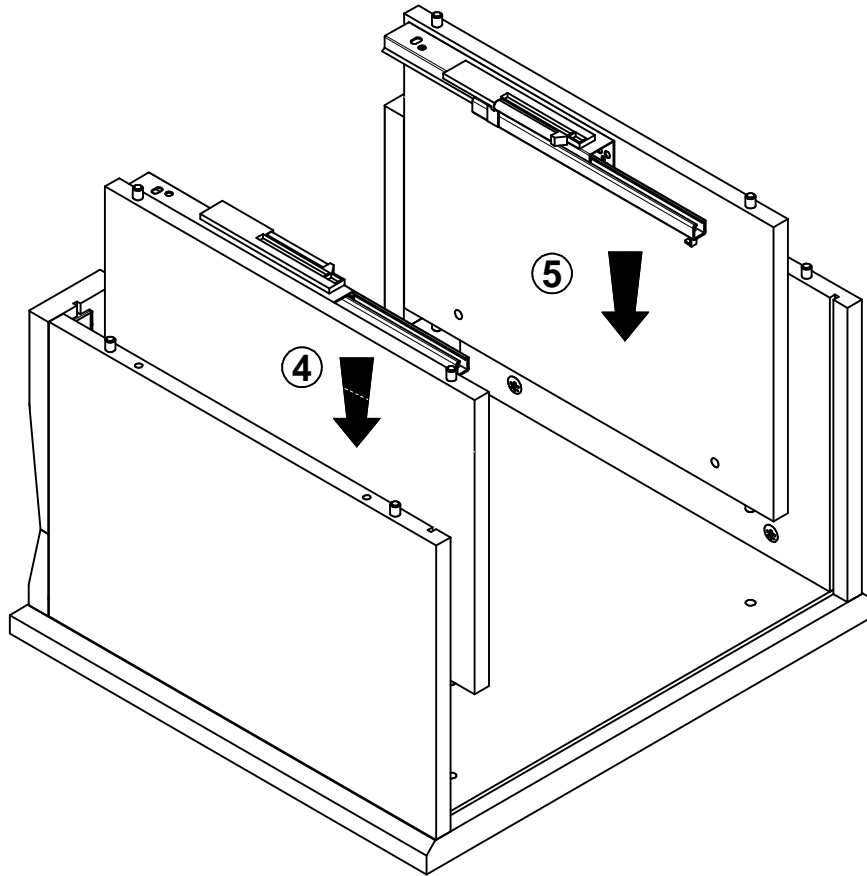
3



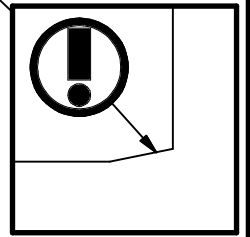
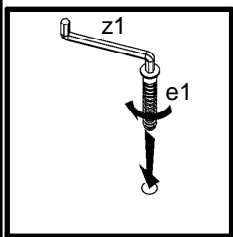
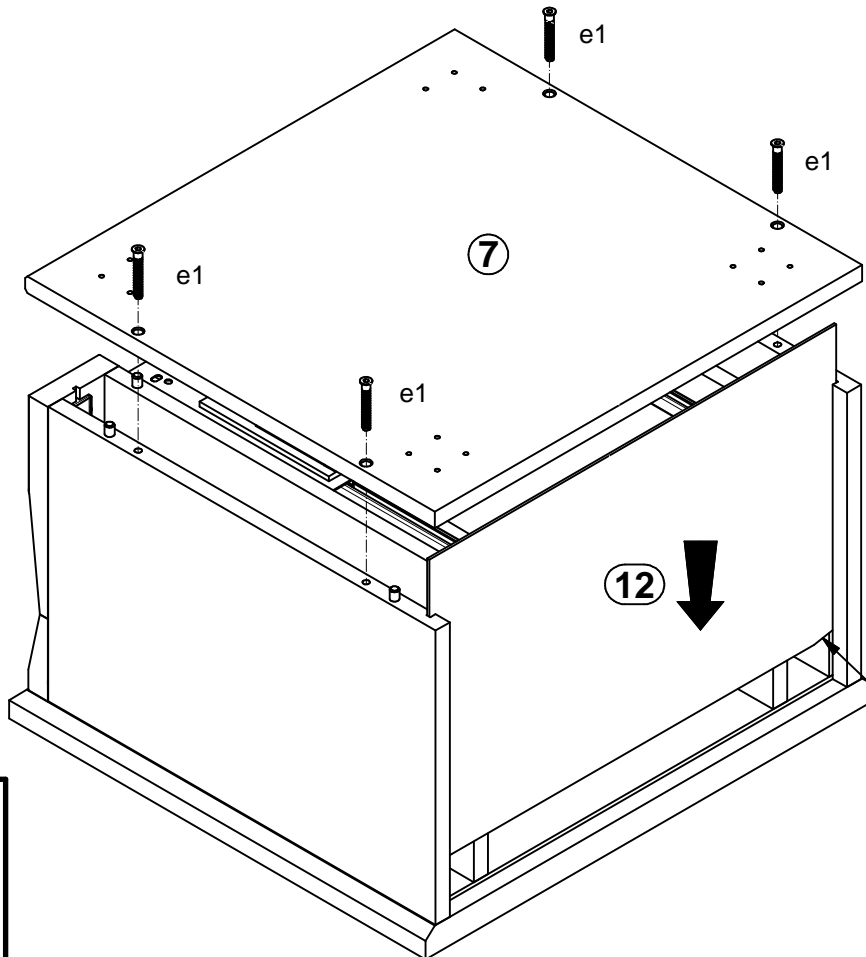
4



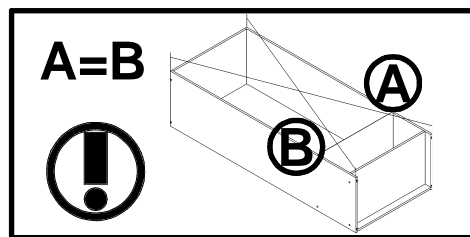
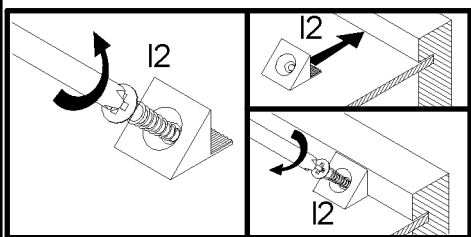
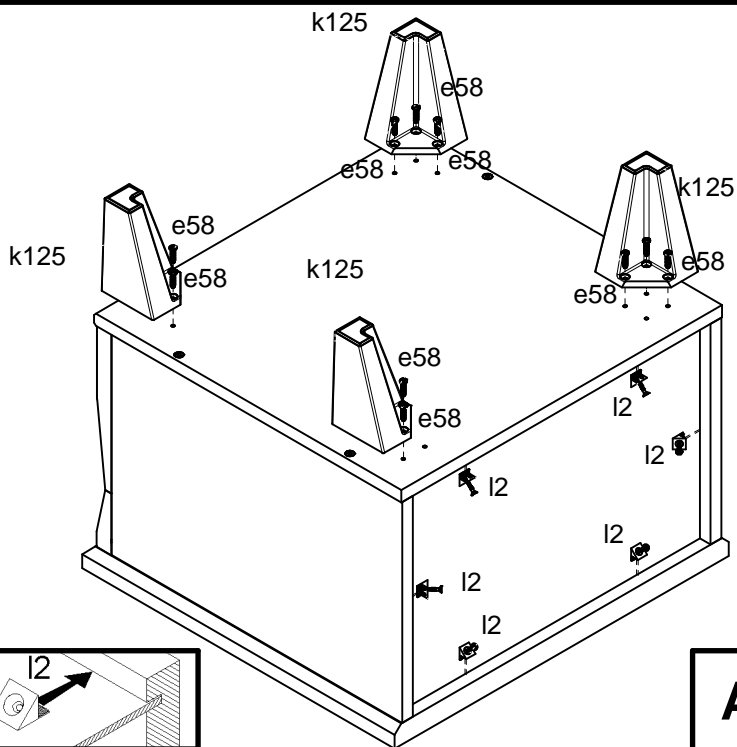
5



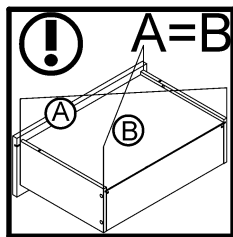
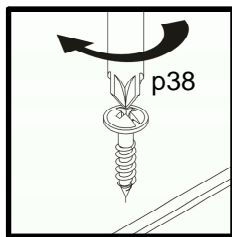
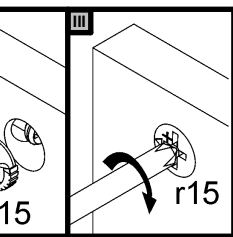
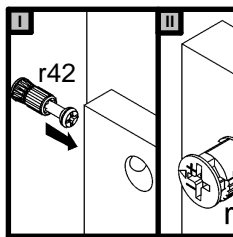
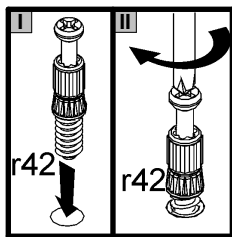
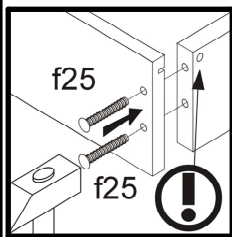
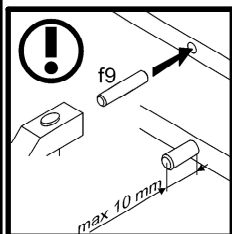
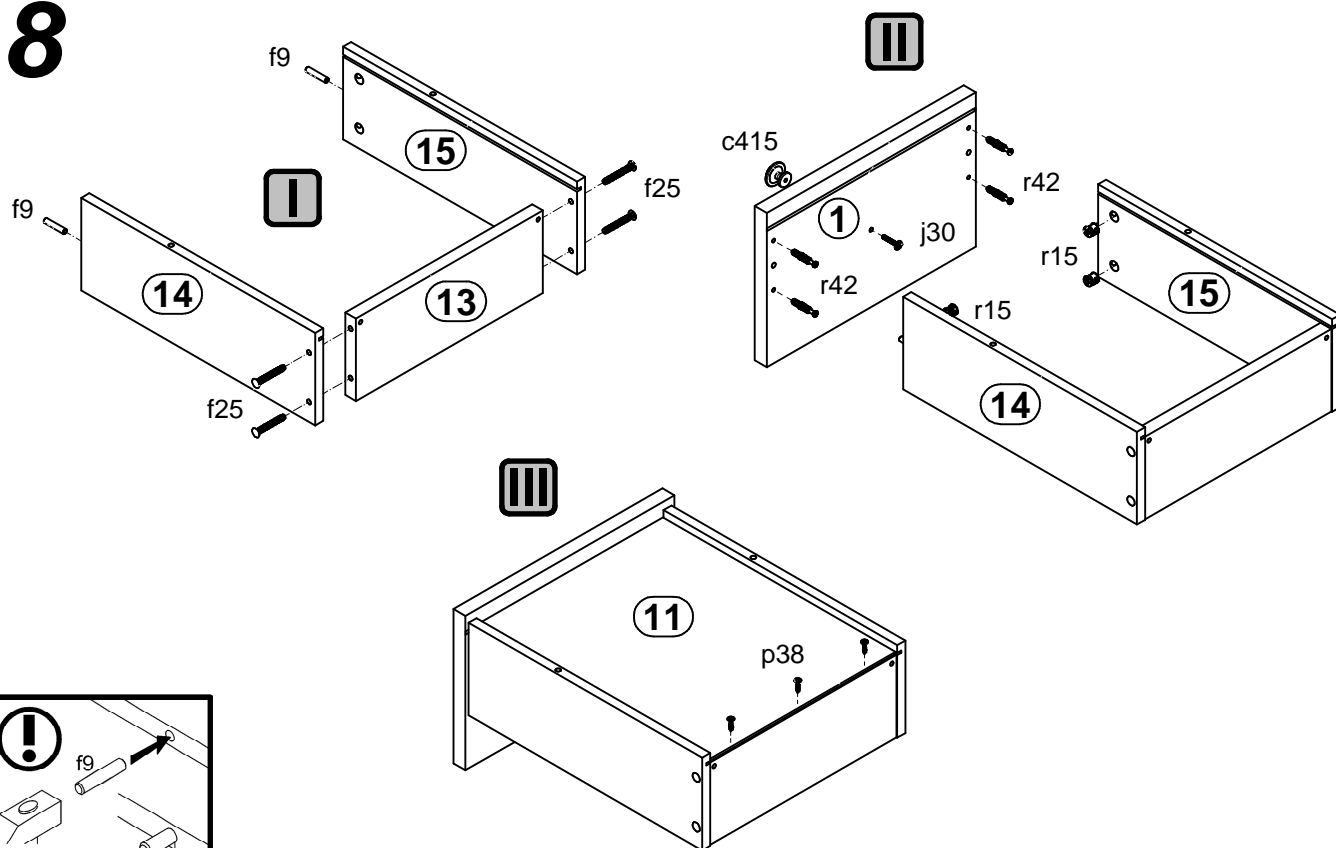
6



7



8



9

