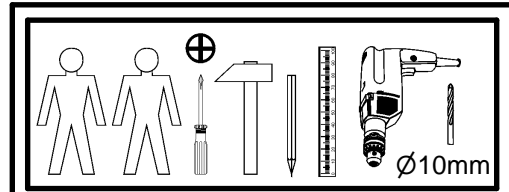
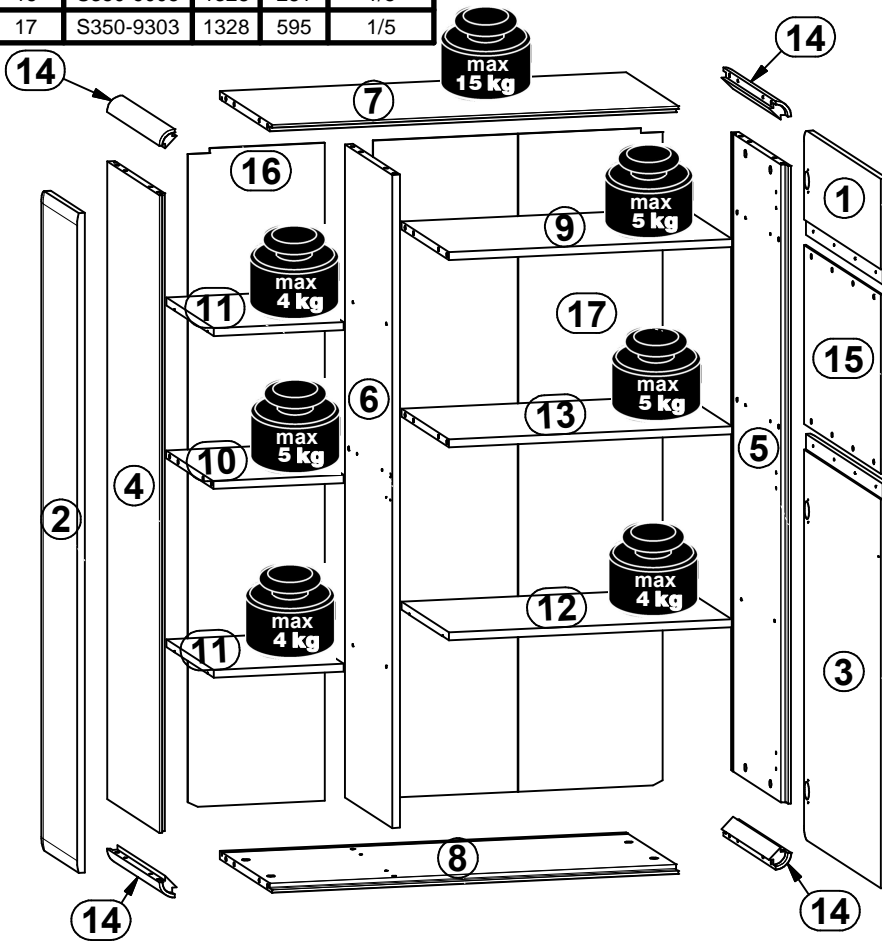
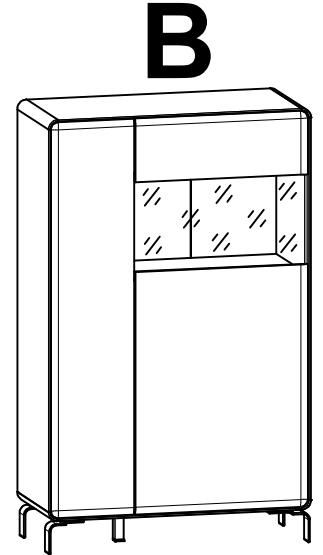
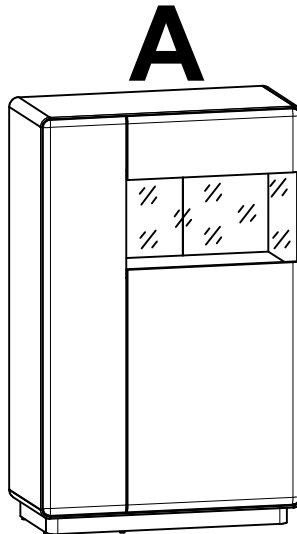


A

ELIS

S350-REG1W1D

A	B	C	D	
1	S350-0004	214	591	4/5
2	S350-0005	1332	285	4/5
3	S350-0006	816	591	4/5
4	S350-1004	1287	400	1/5
5	S350-1005	1287	400	1/5
6	S350-1006	1318	363	1/5
7	S350-3004	835	400	2/5
8	S350-3005	835	400	2/5
9	S350-3008	582	363	2/5
10	S350-3009	268	363	2/5
11	S350-3010	267	363	2/5
12	S350-3011	581	363	2/5
13	S350-3022	582	363	2/5
14	S350-5001	400	45	3/5
15	S350-5002	589	362	2/5
16	S350-9005	1328	281	1/5
17	S350-9303	1328	595	1/5



6x BEZ SAMODOMYKU a79	6x b31	12x Ø5x17 mm d1	8x Ø5x12 mm e41	32x Ø8x30 mm f1	2x Ø10x50 mm f35	45x l1	14x l2	2x 88x21x15/1.5 n14/2
8x Ø5,3/Ø8,3x4,8 mm o54	1x 2x1,8W o60/1	1x o60/2	1x o60/3	2x Ø5x60 mm p17	4x Ø3,5x16 mm p38	12x Ø3,5x15 mm p51	2x Ø2x8 mm p123	32x Ø15x12 mm #16 r1
32x 20/11 r42	24x Ø16 s2	2x z28/1	2x 82x9,5/6,5mm z28/2	2x 20x20/1,5 mm z28/3	6x Ø3x12mm z28/4			

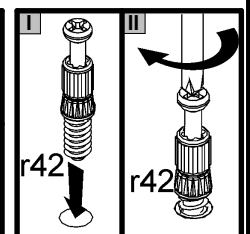
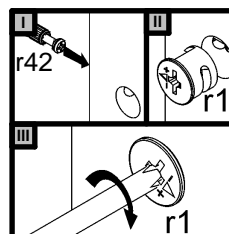
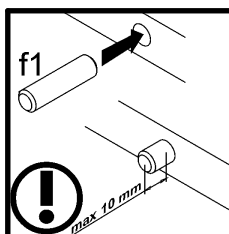
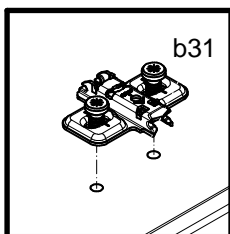
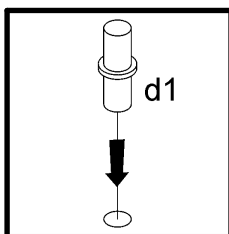
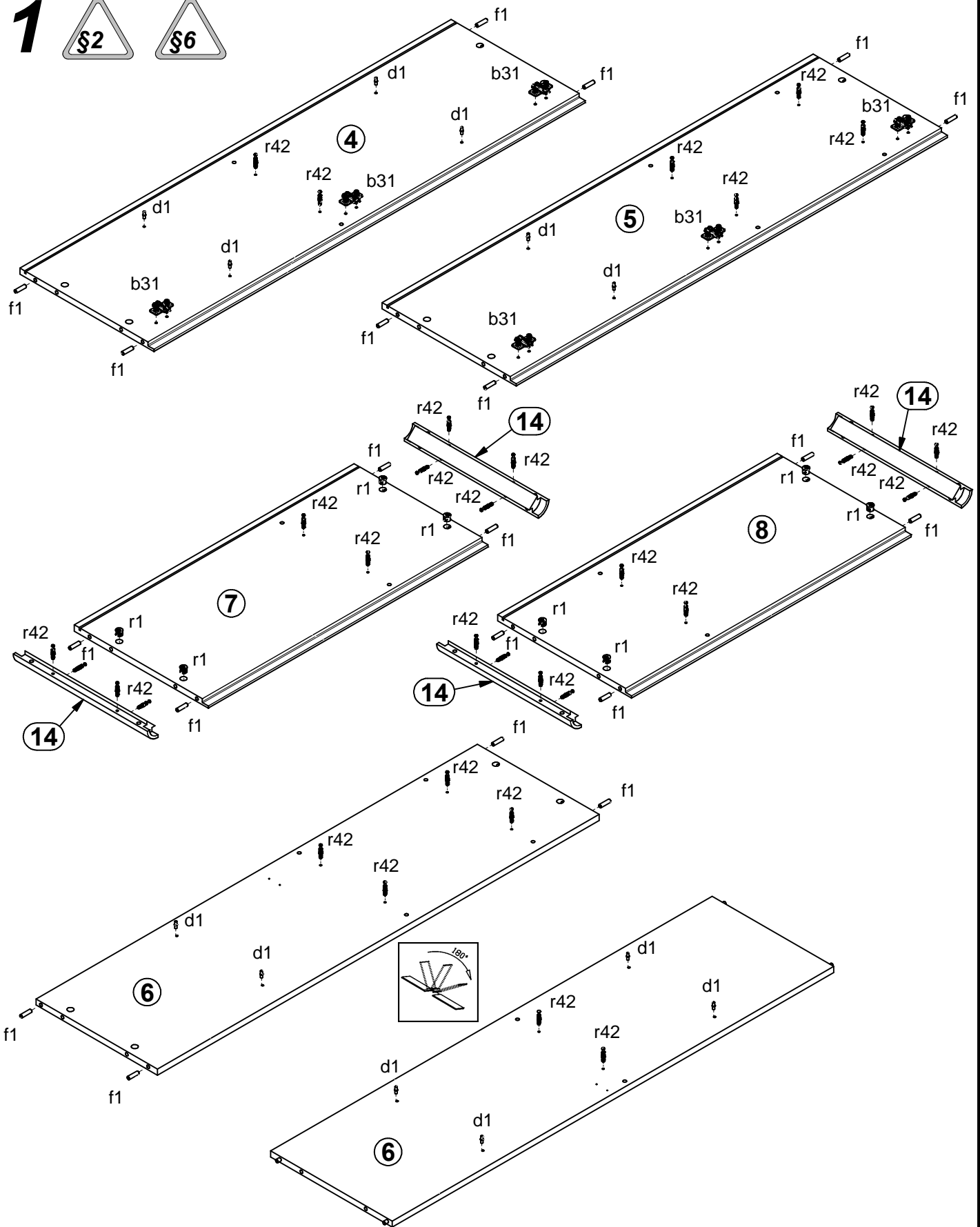
A		6x k1	12x Ø8x30 mm f1	12x Ø15x12 mm #16 r1	12x 20/11 r42
----------	--	----------	-----------------------	----------------------------	---------------------

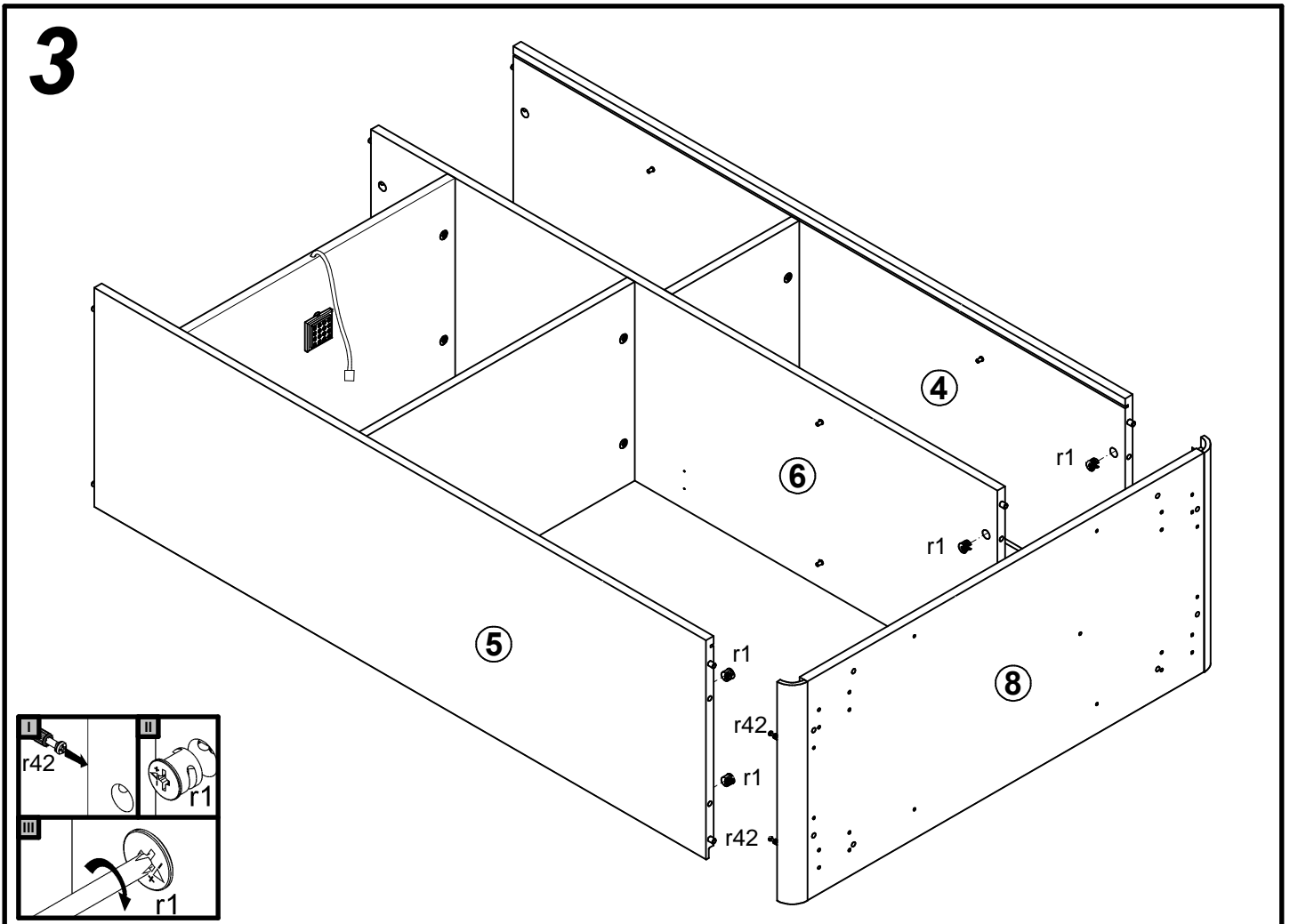
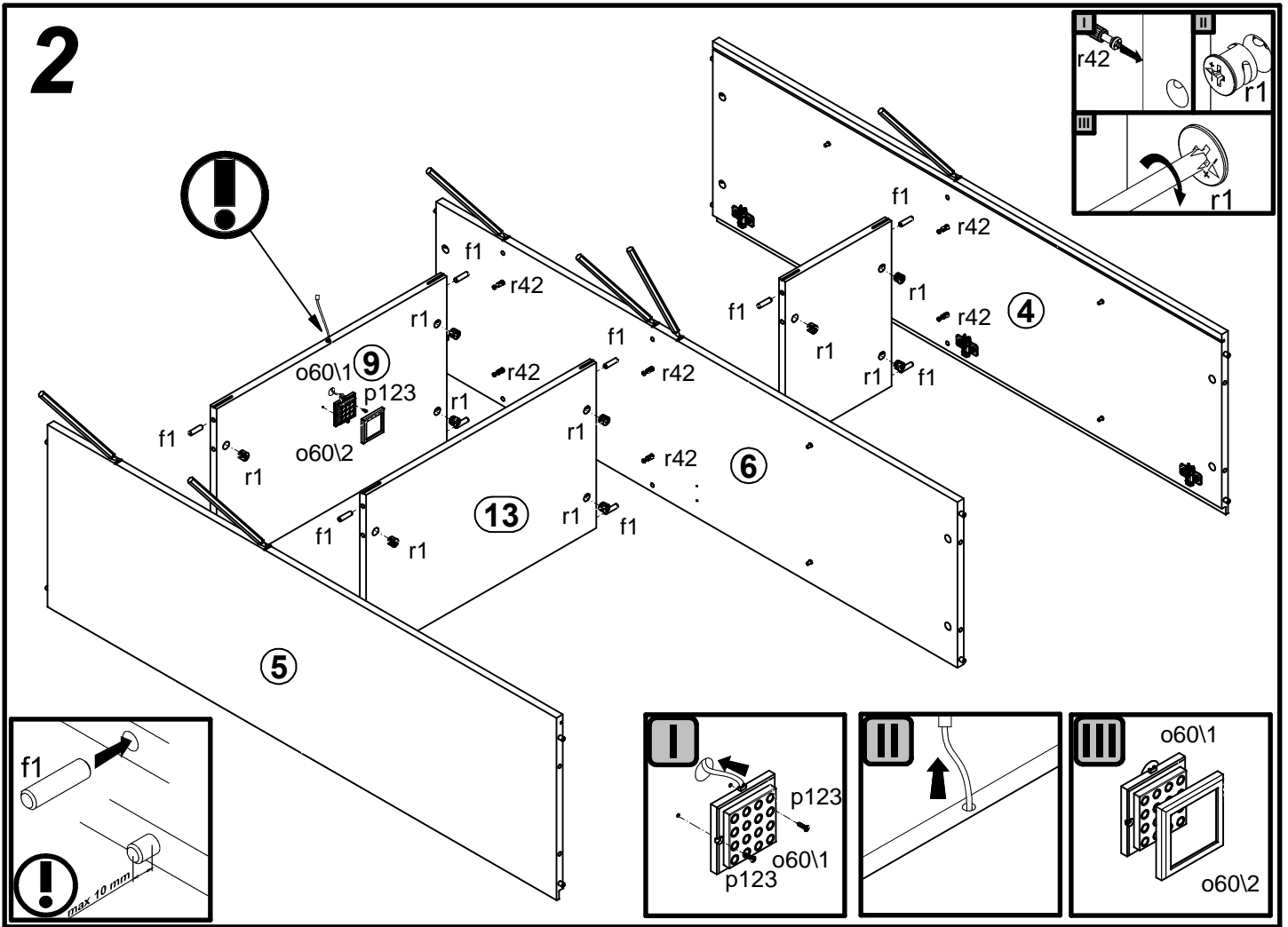
4x Ø3,5x16 mm p38	1x 42,5x42,5/4 mm k38/3
-------------------------	-------------------------------

B		2x k117/1L	2x k117/1P	4x #10 mm k117/3	4x k118
----------	--	---------------	---------------	------------------------	------------

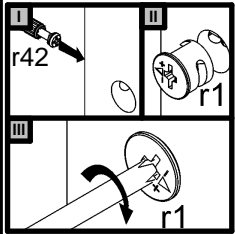
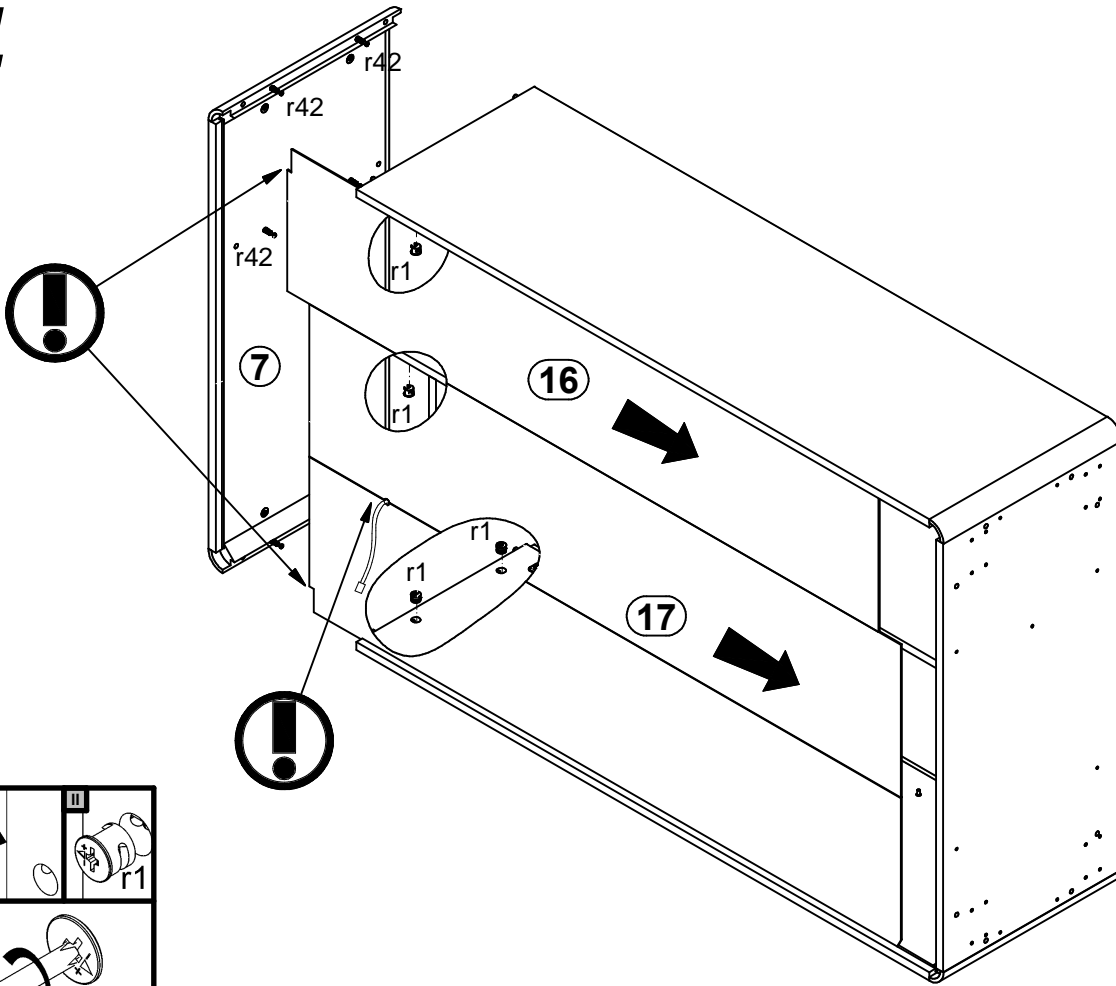
16x Ø6,3x28 mm e25	1x Ø6,3x13 mm e2	1x 30x30/89 mm k38/4
--------------------------	------------------------	----------------------------

1

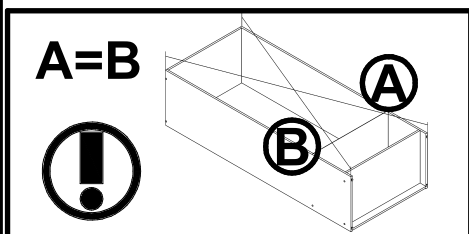
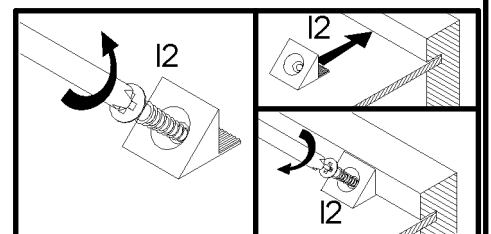
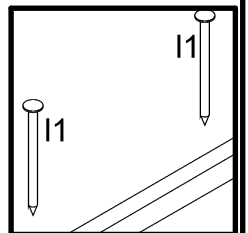
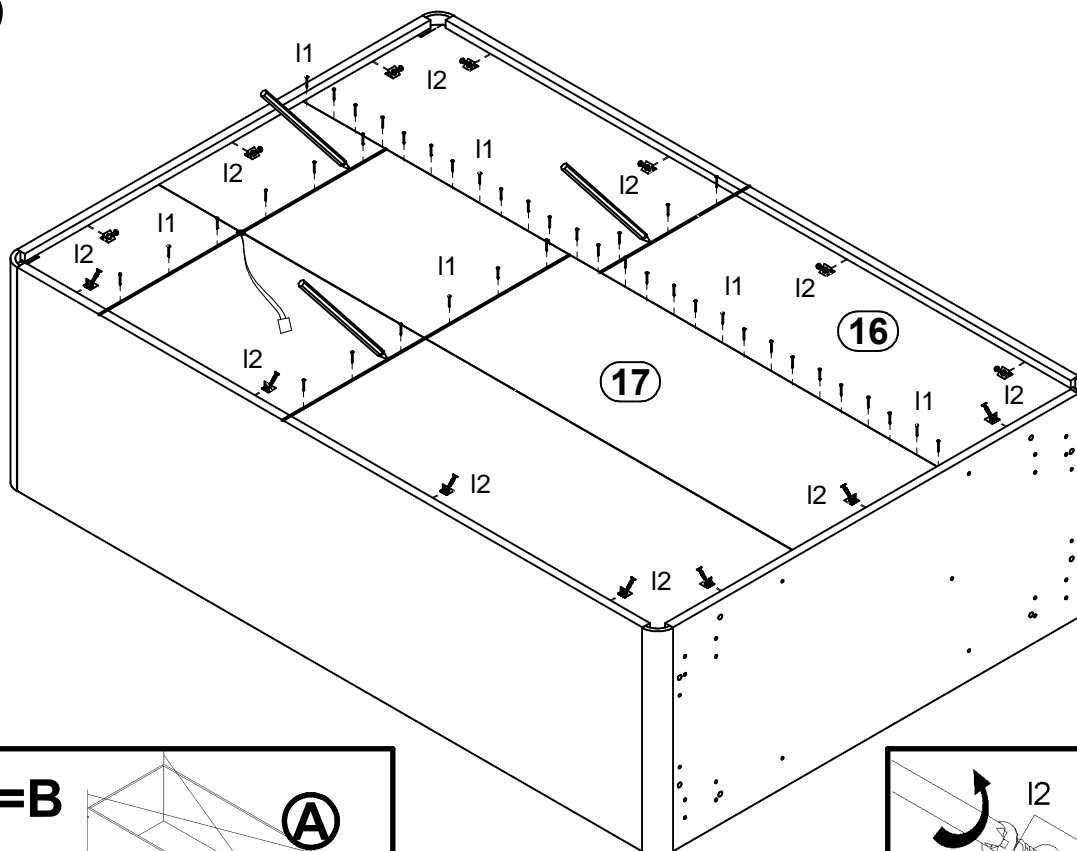




4



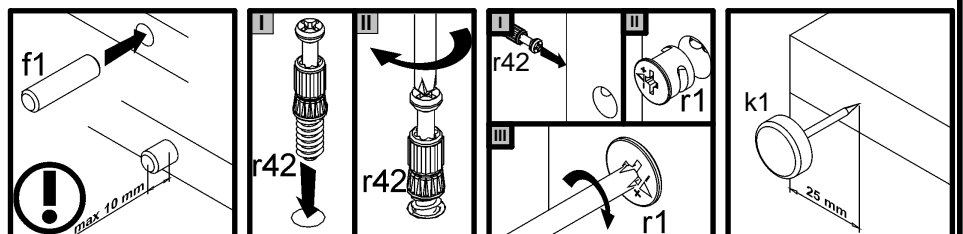
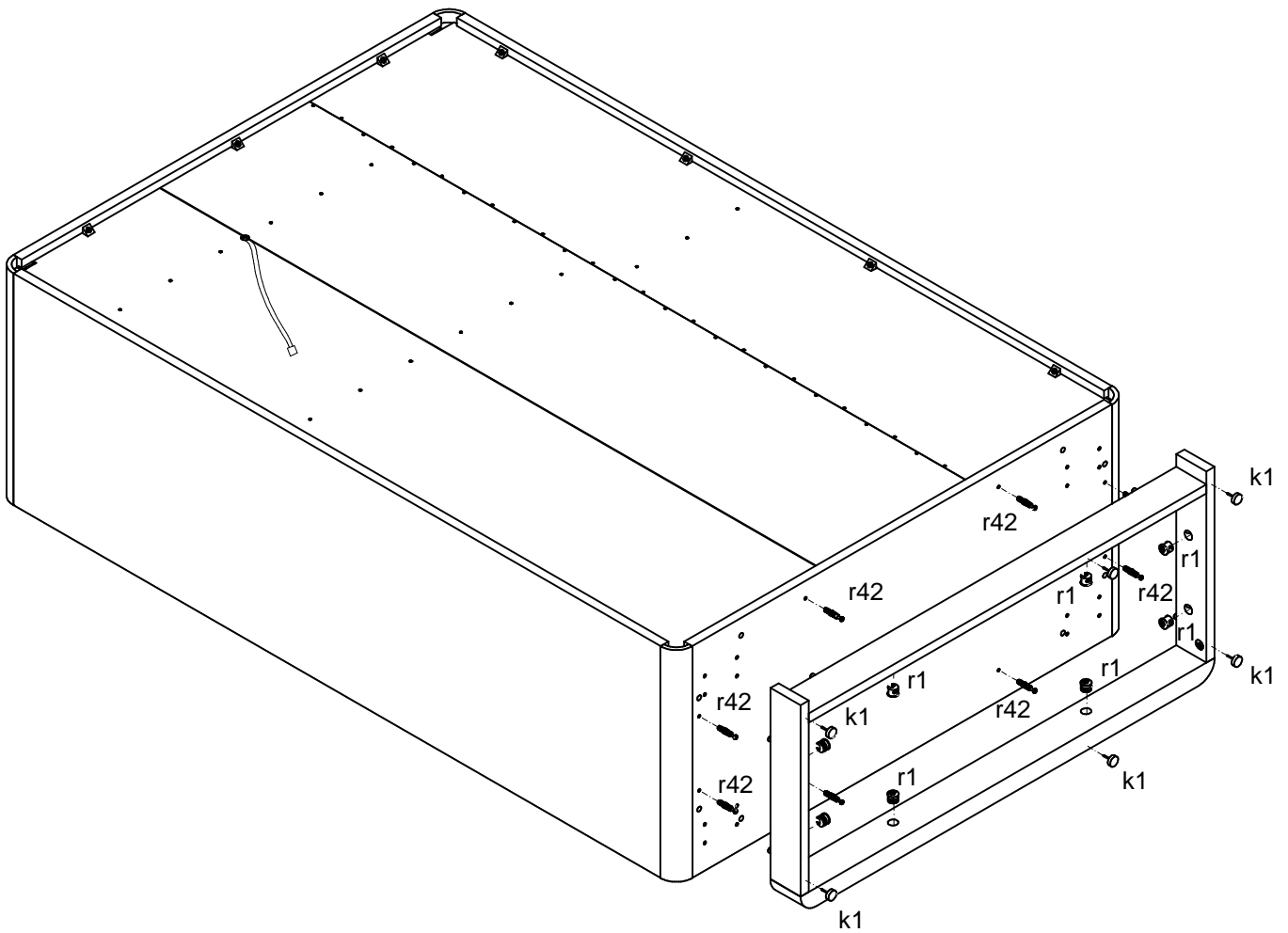
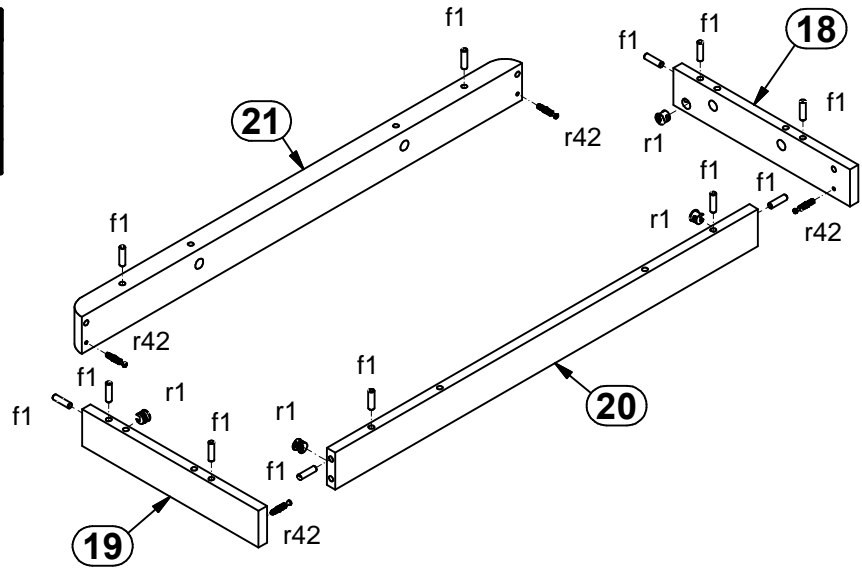
5



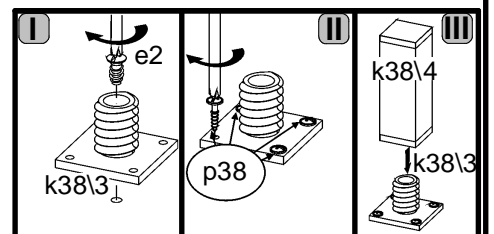
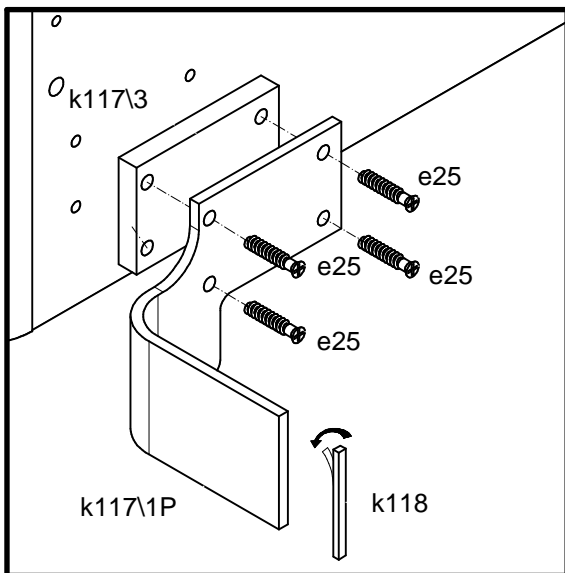
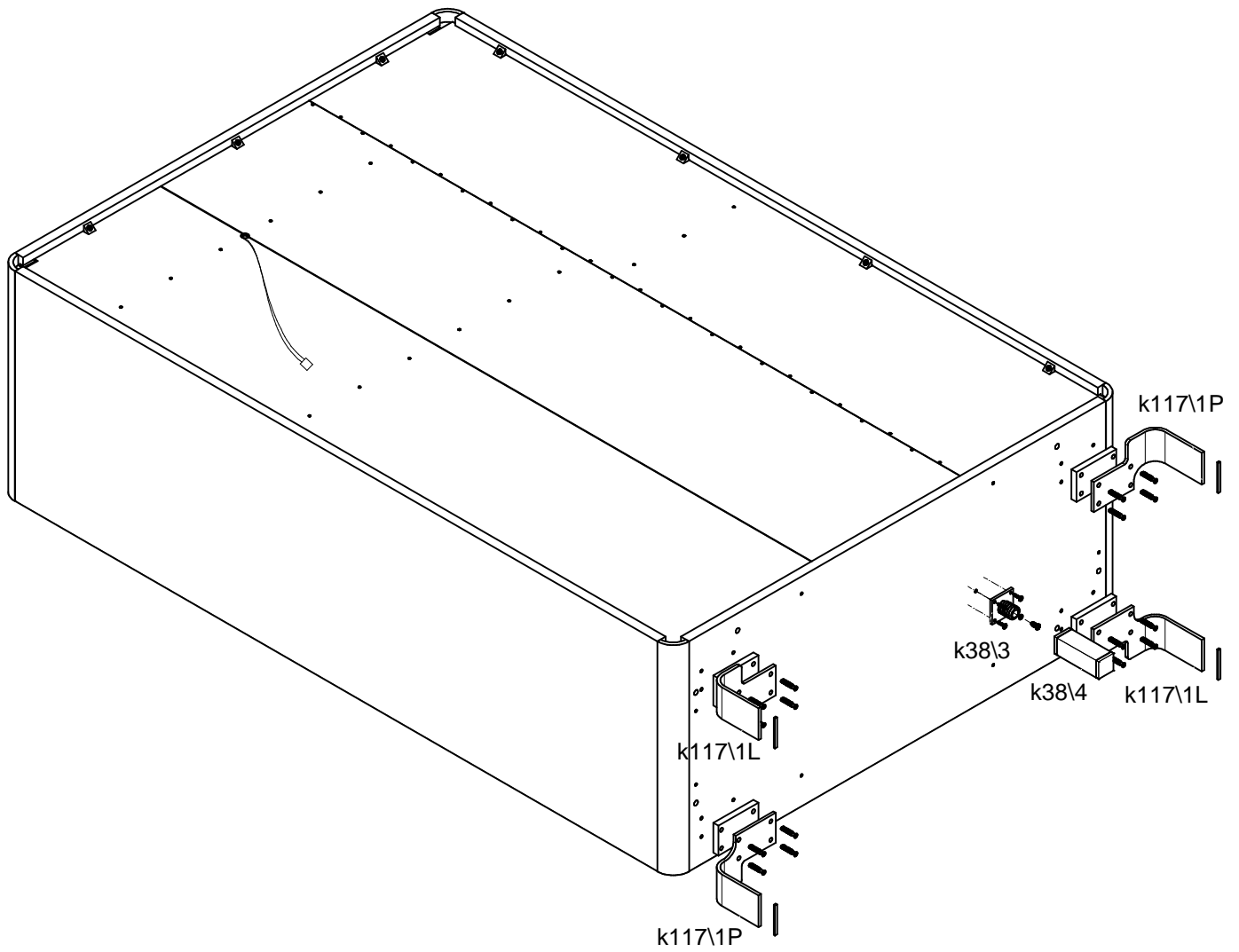
6A



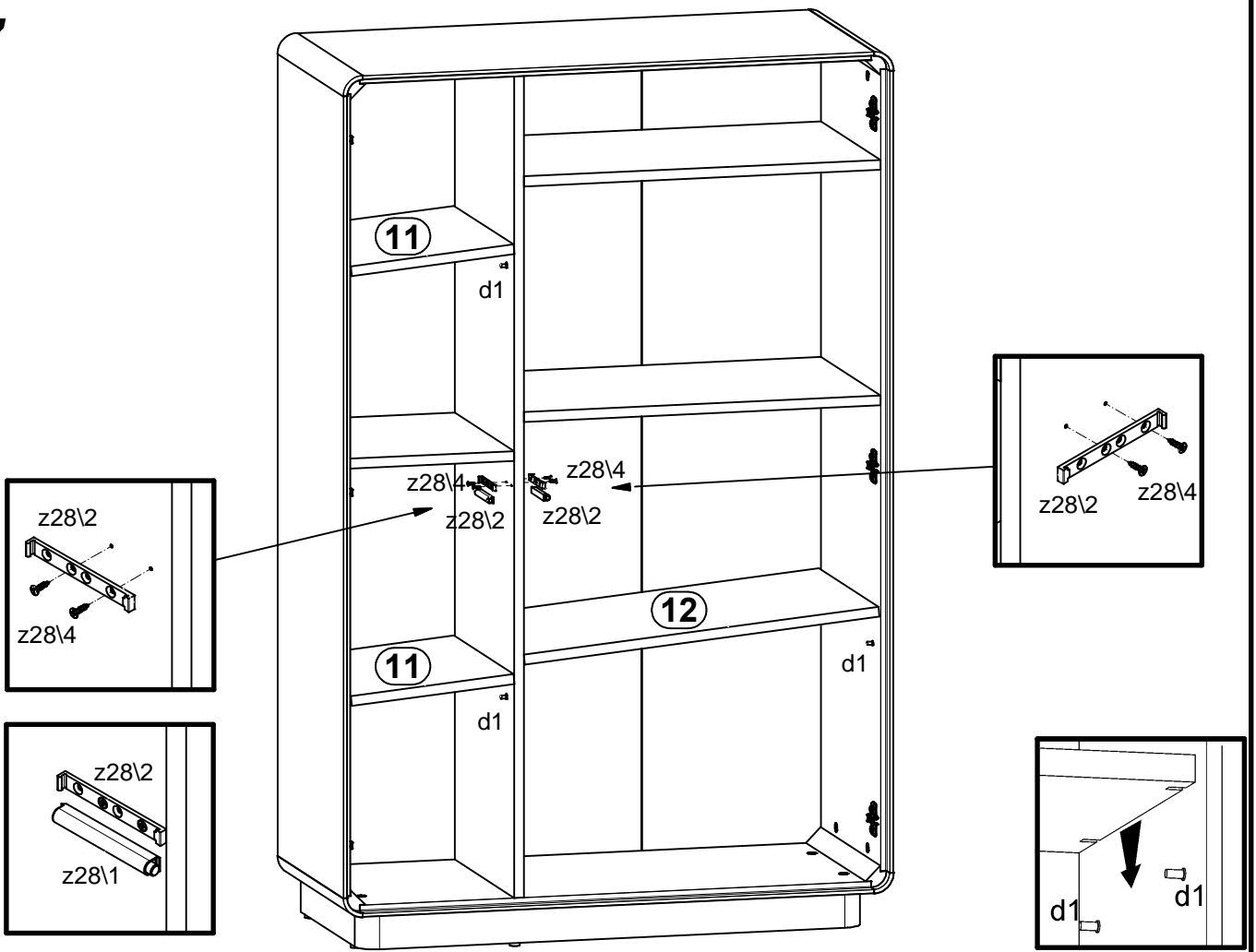
A	B	C	D
18	S350-4002	330	60
19	S350-4003	330	60
20	S350-4008	791	60
21	S350-4014	824	60



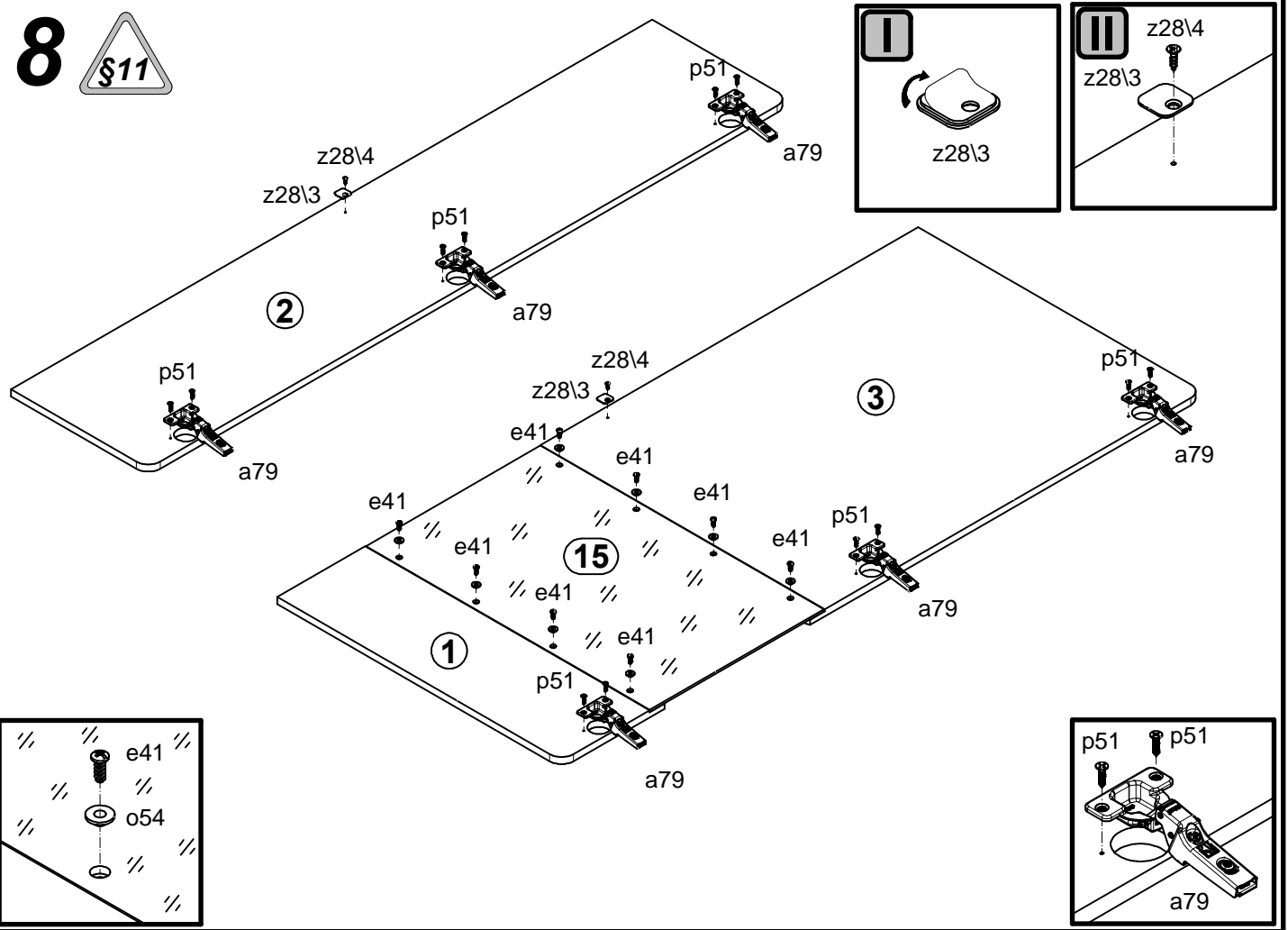
6B



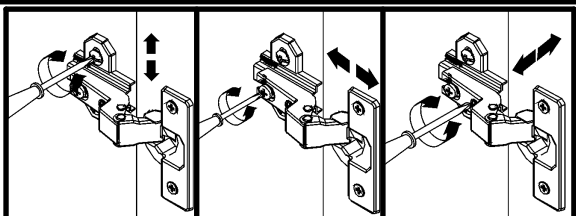
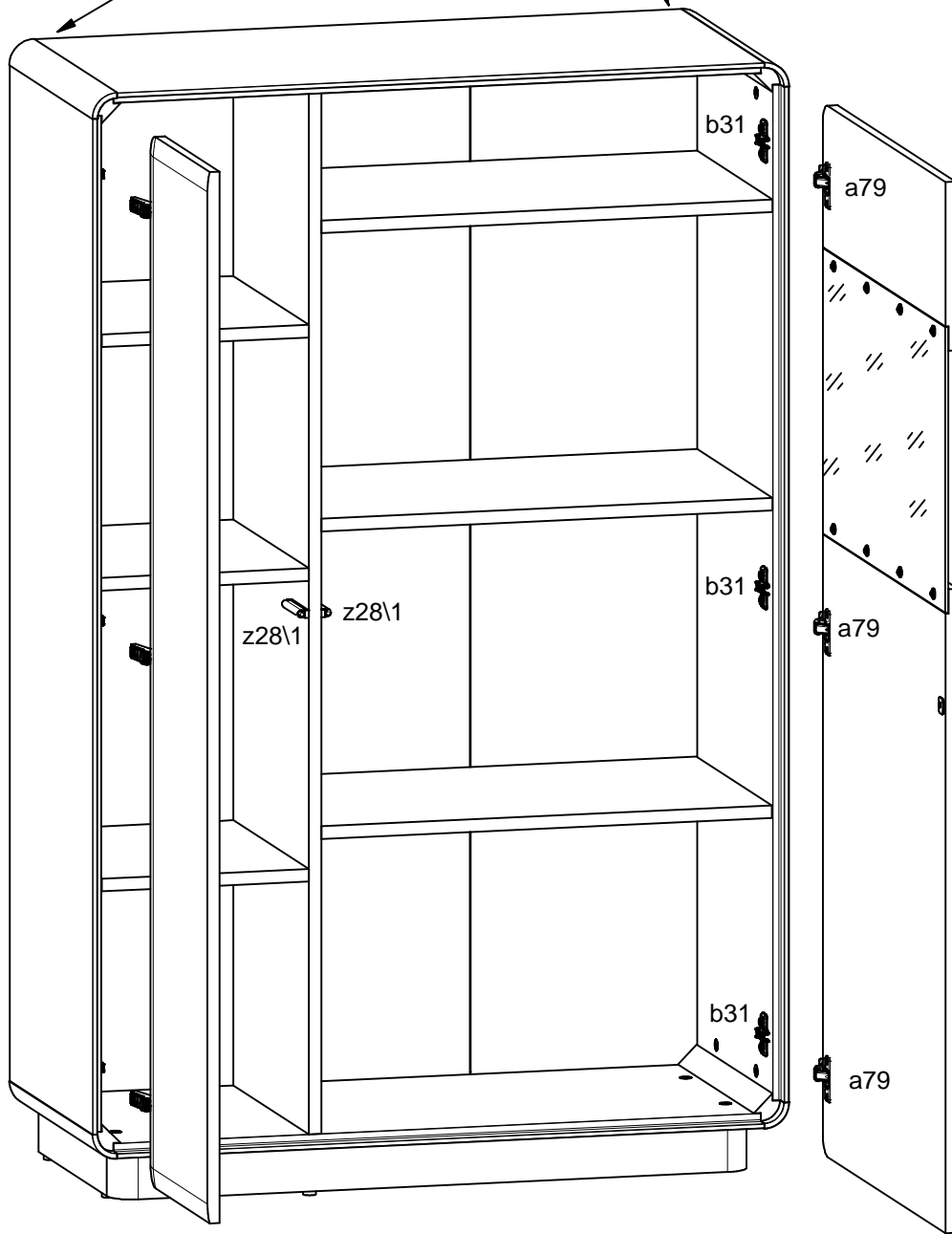
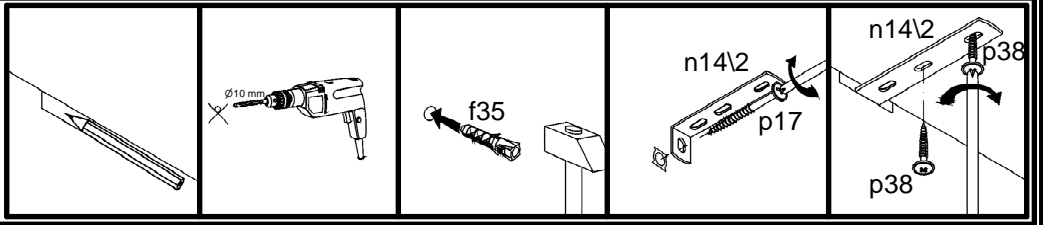
7



8



9



z28\1

