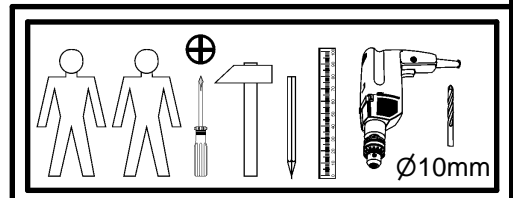
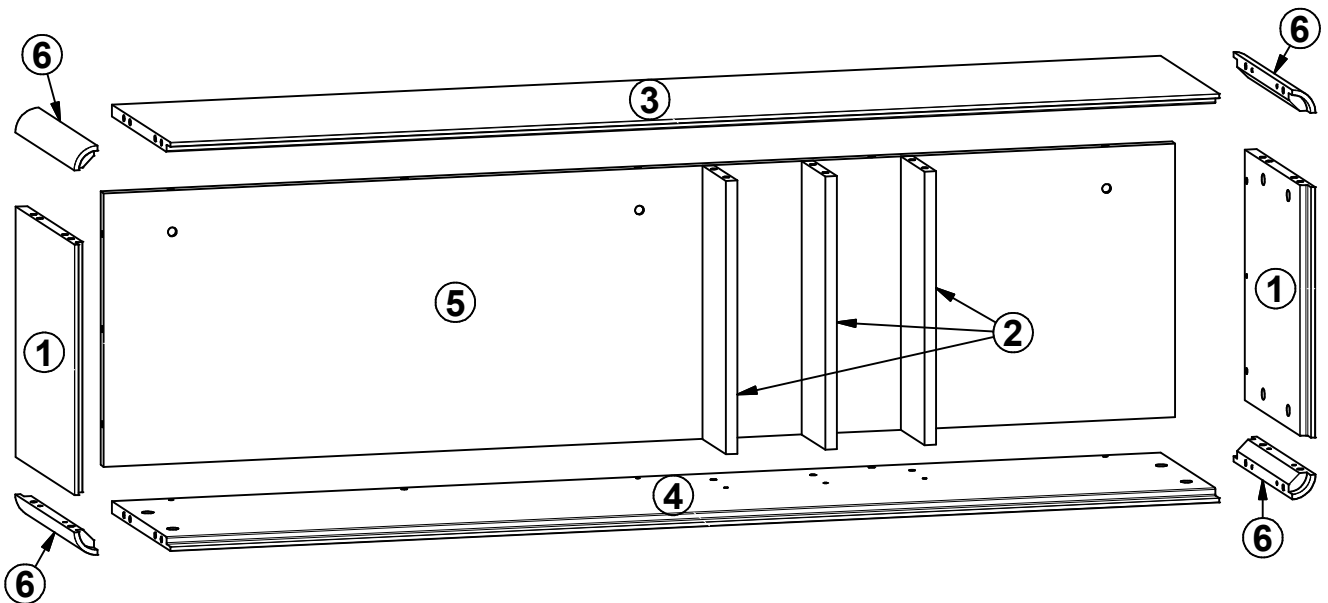
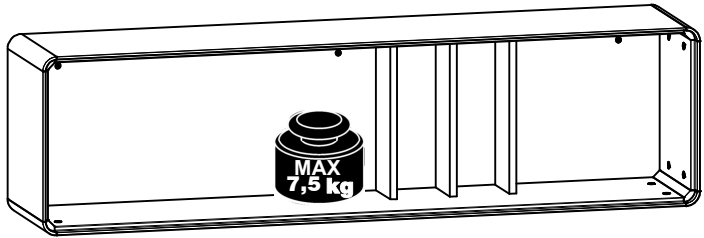
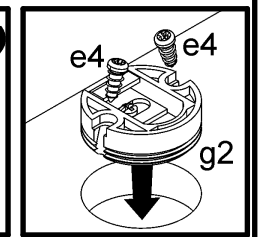
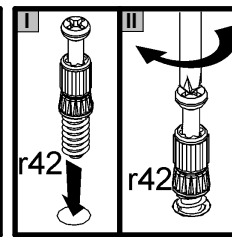
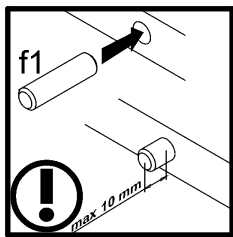
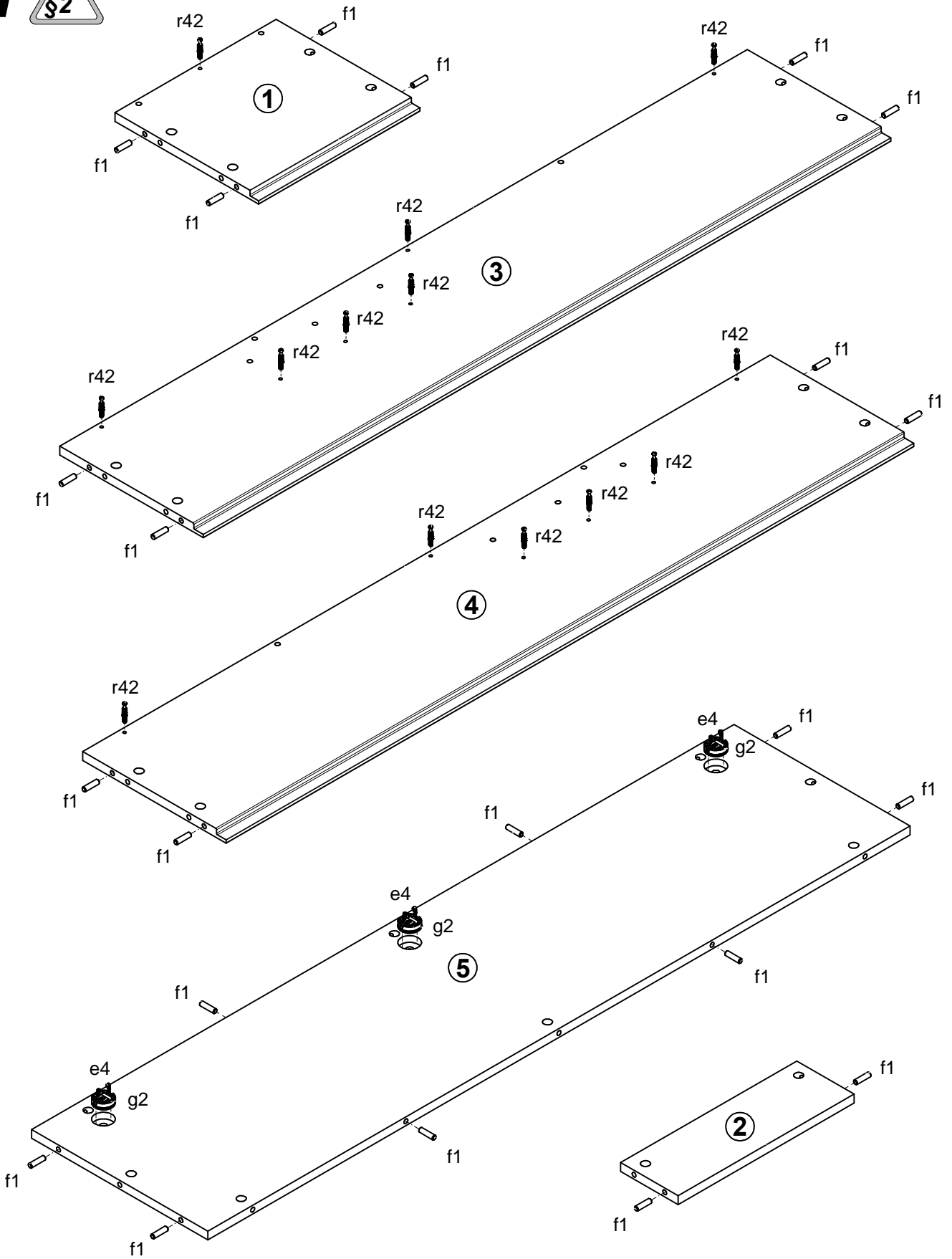


A	B	C	D
1	S350-1010	337	300
2	S350-1011	368	120
3	S350-3012	1437	300
4	S350-3013	1437	300
5	S350-4011	1468	368
6	S236-5771	300	45

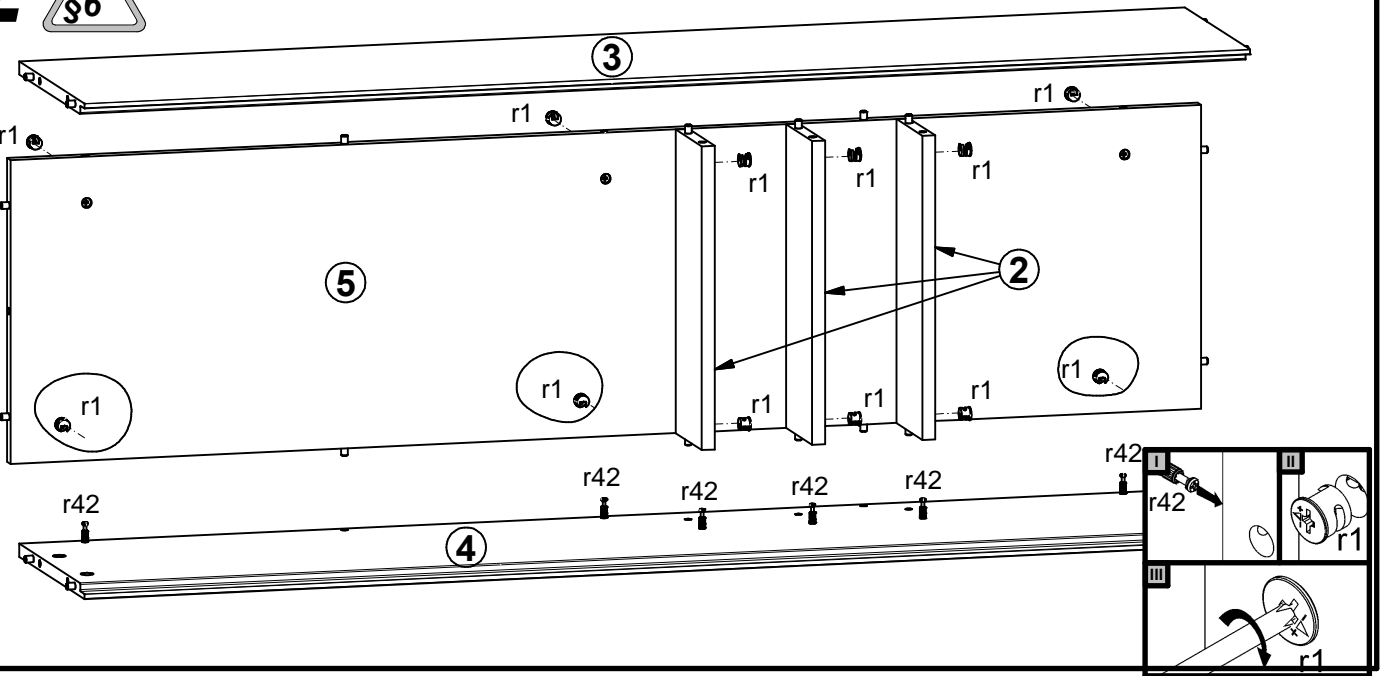


6x Ø5x11 mm e4	30x Ø8x30 mm f1	3x Ø10x50 mm f35	3x g2	3x Ø6x60 mm p75	30x Ø15x12 mm #16 r1	30x 20/11 r42	25x Ø 20mm s68
----------------------	-----------------------	------------------------	----------	-----------------------	----------------------------	---------------------	----------------------

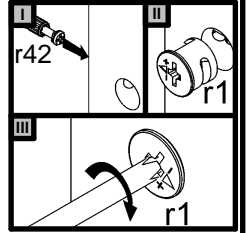
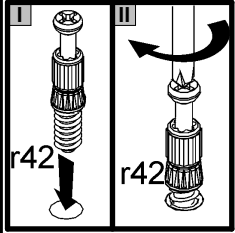
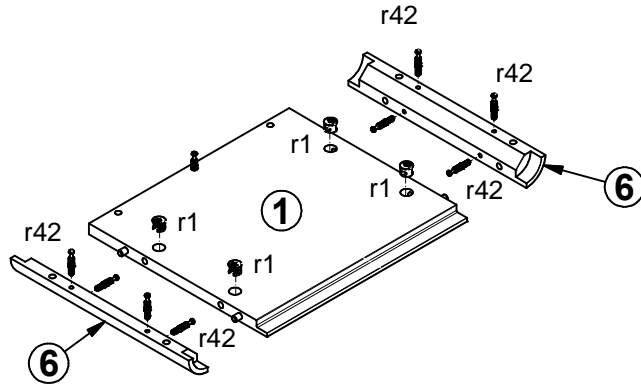
1 



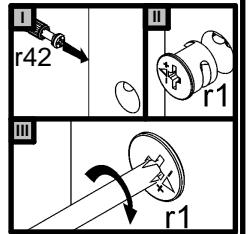
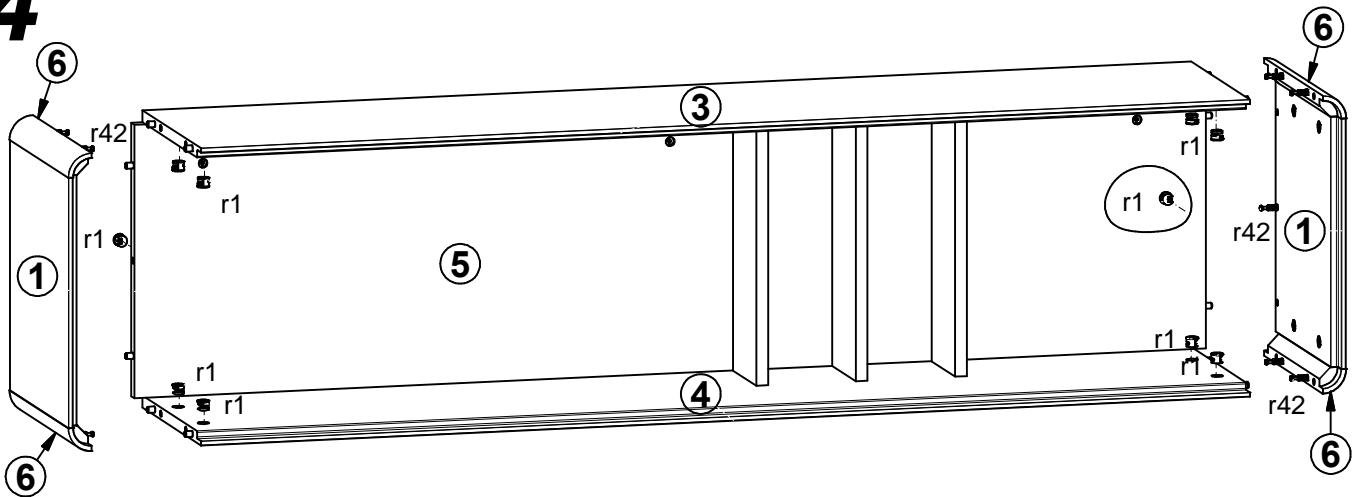
2



3



4



5

