

A

ELIS

S350-RTV1S1K

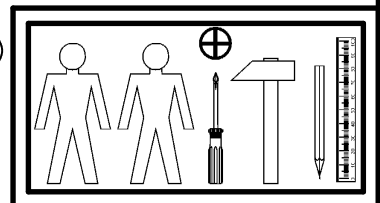
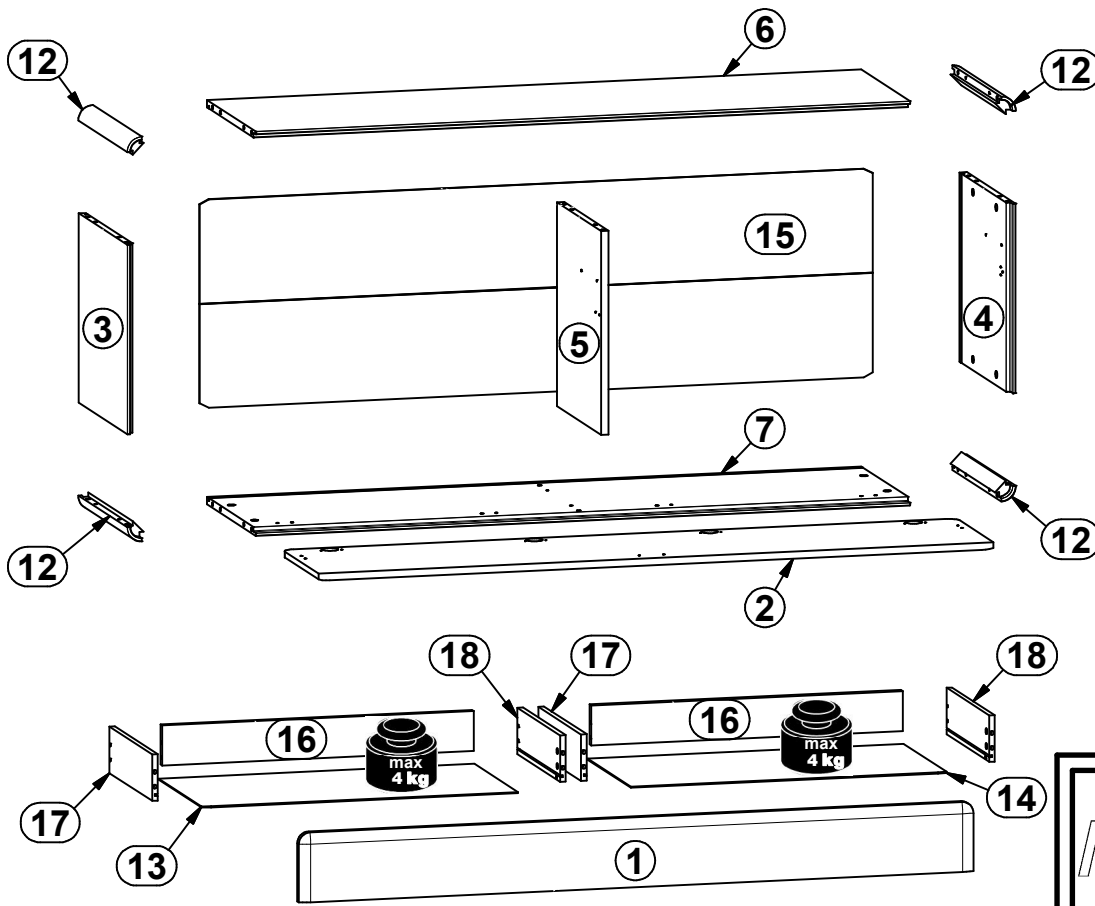
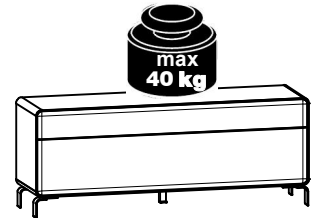
A	B	C	D	A	B	C	D		
1	S350-0007	1480	150	3/4	10	S350-4009	1424	60	4/4
2	S350-0008	1480	300	3/4	11	S350-4010	1391	60	4/4
3	S350-1007	408	400	1/4	12	S350-5001	400	45	2/4
4	S350-1008	408	400	1/4	13	S350-9003	693	355	1/4
5	S350-1009	439	363	1/4	14	S350-9004	693	355	1/4
6	S350-3006	1435	400	1/4	15	S350-9302	1476	449	1/4
7	S350-3007	1435	400	1/4	16	ZT1-535	683	86	1/4
8	S350-4002	330	60	4/4	17	ZT6-503	350	100	1/4
9	S350-4003	330	60	4/4	18	ZT6-504	350	100	1/4



A



B

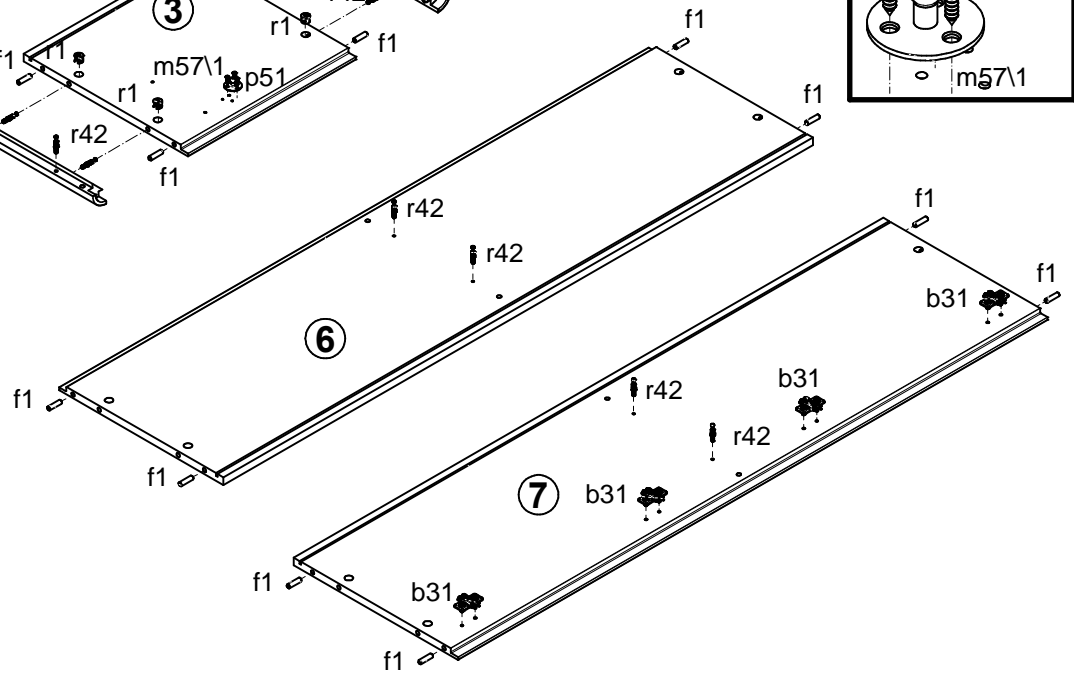
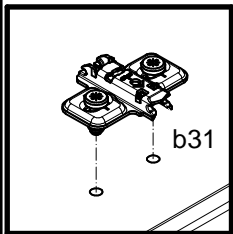
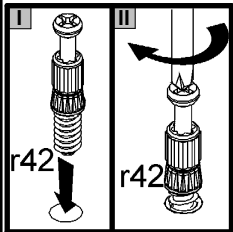
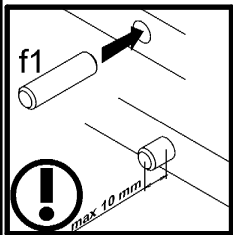
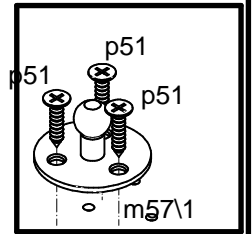
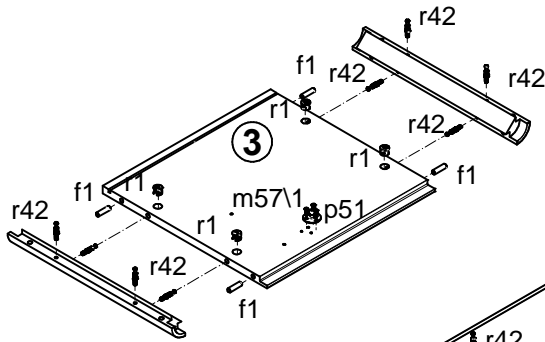
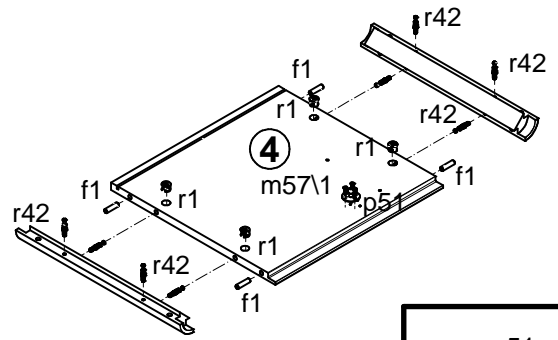
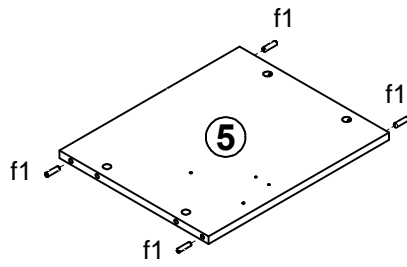


4x BEZ SAMODOMYKJU a79	4x b31	8x Ø6x13 mm e3	20x Ø8x30 mm f1	8x Ø6.5x40 mm f25	5x l1	12x l2	2x m57/1	2x m57/3
2x 120 N m68/1	2x Ø3.5x16 mm p25	2x Ø3.5x10 mm p35	12x Ø3.5x16 mm p38	18x Ø3.5x15 mm p51	20x Ø15x12 mm #16 r1	8x Ø12x10.5 mm #12 r15	28x 20/11 r42	2x 350 mm t35
2x 350 mm w130/L	2x 350 mm w130/P	1x z28/1	1x 82x9.5/6.5 mm z28/2	1x 20x20/1.5 mm z28/3	3x Ø3x12 mm z28/4	13x Ø16 s2	1x n26/1	1x Ø3.5x16 mm p38

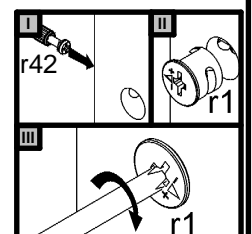
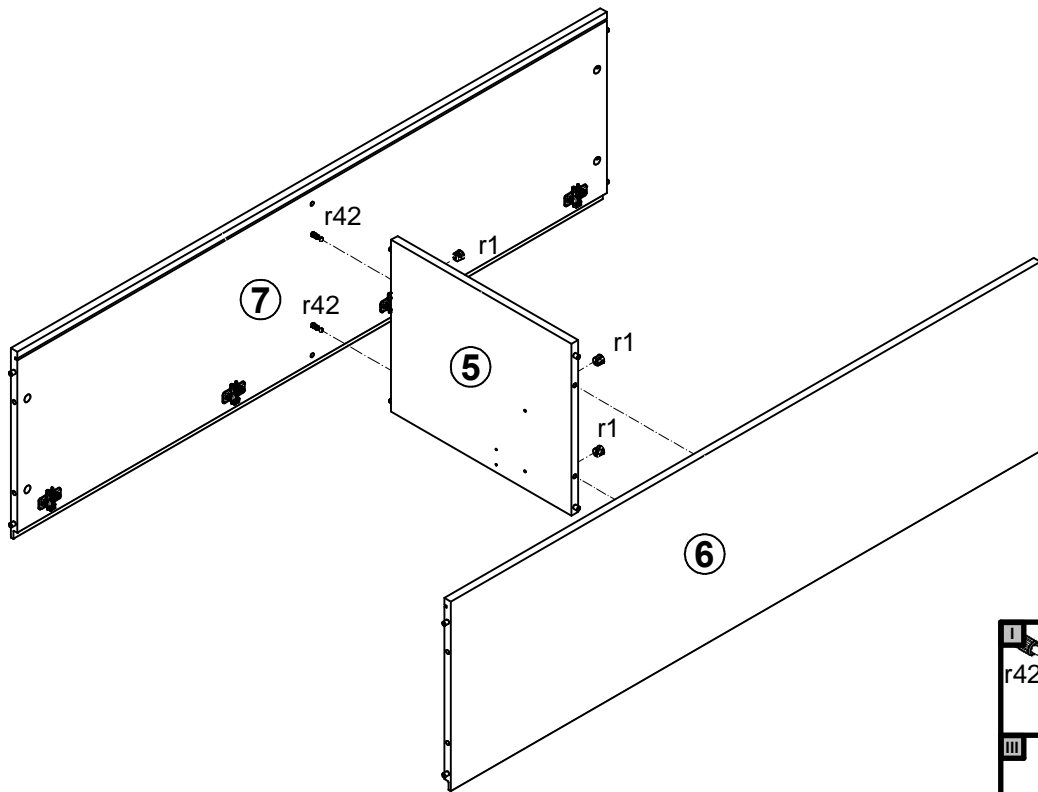
A	12x Ø8x30 mm f1	6x k1	14x Ø15x12 mm #16 r1	14x 20/11 r42
----------	-----------------------	----------	----------------------------	---------------------

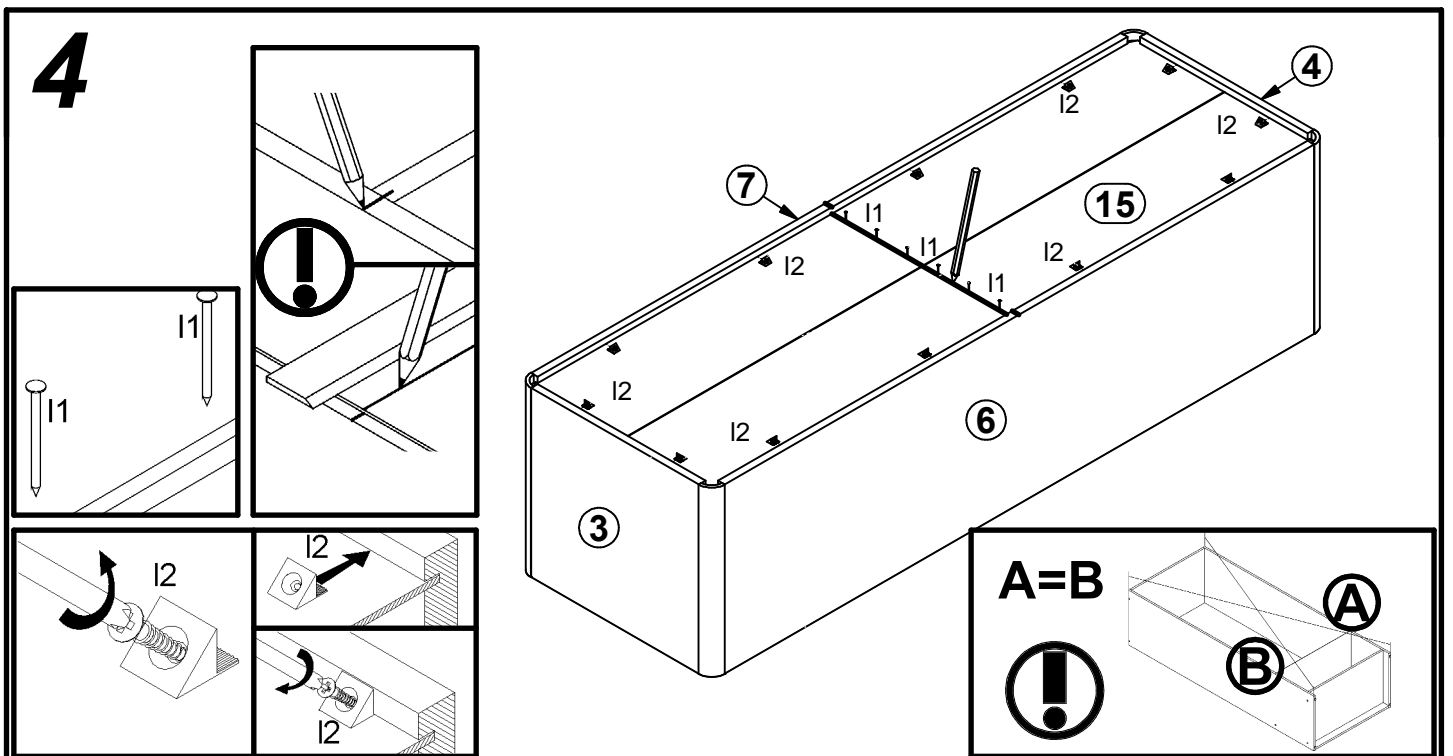
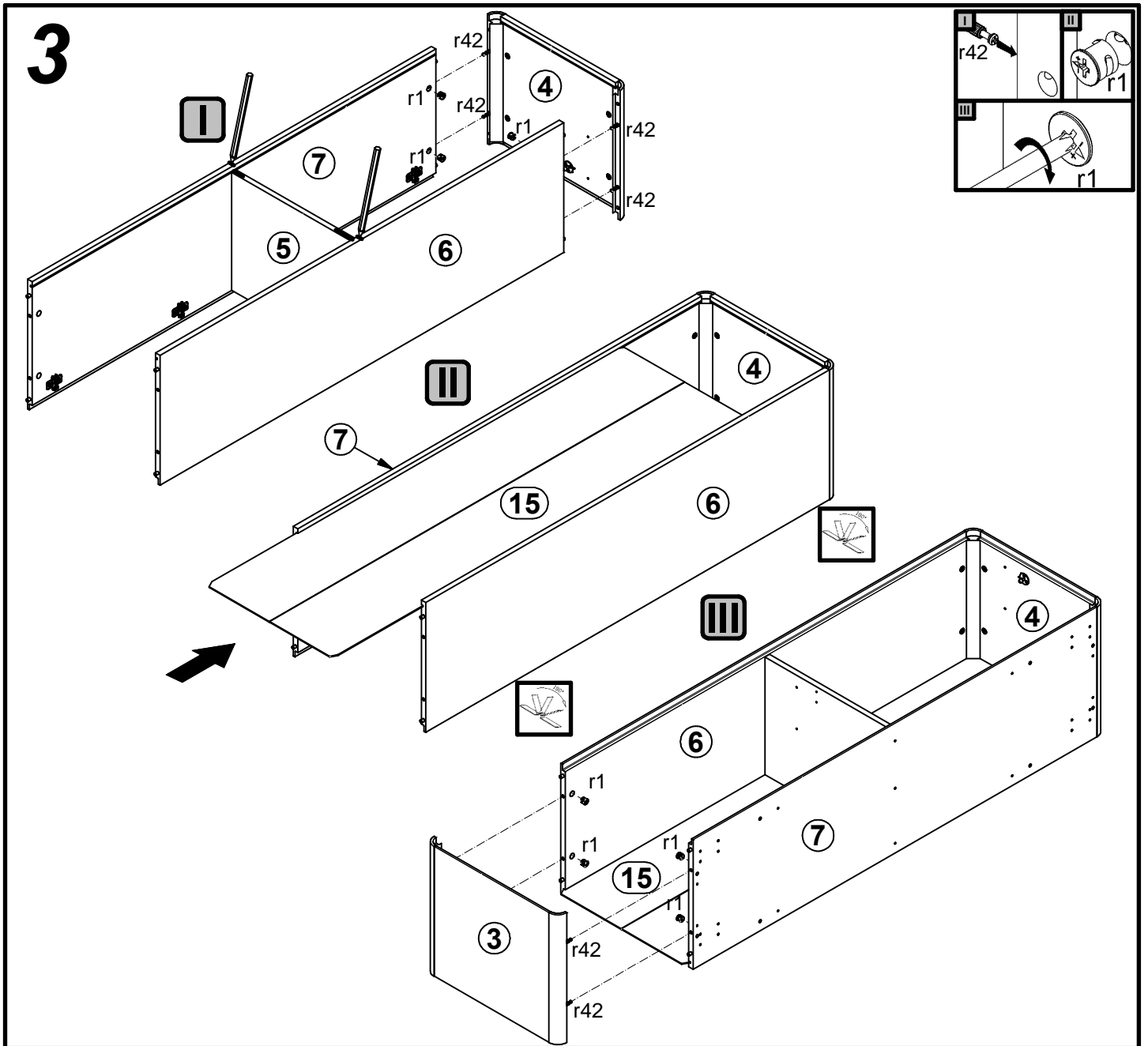
B	1x Ø6.3x13 mm e2	16x Ø6x28 mm e25	2x k117/1L	2x k117/1P	4x #10 mm k117/3	4x k118	1x 42.5x42.54 mm k38/3
	1x 30x30/Ø9 mm k38/4	4x Ø3.5x16 mm p38					

1  



2

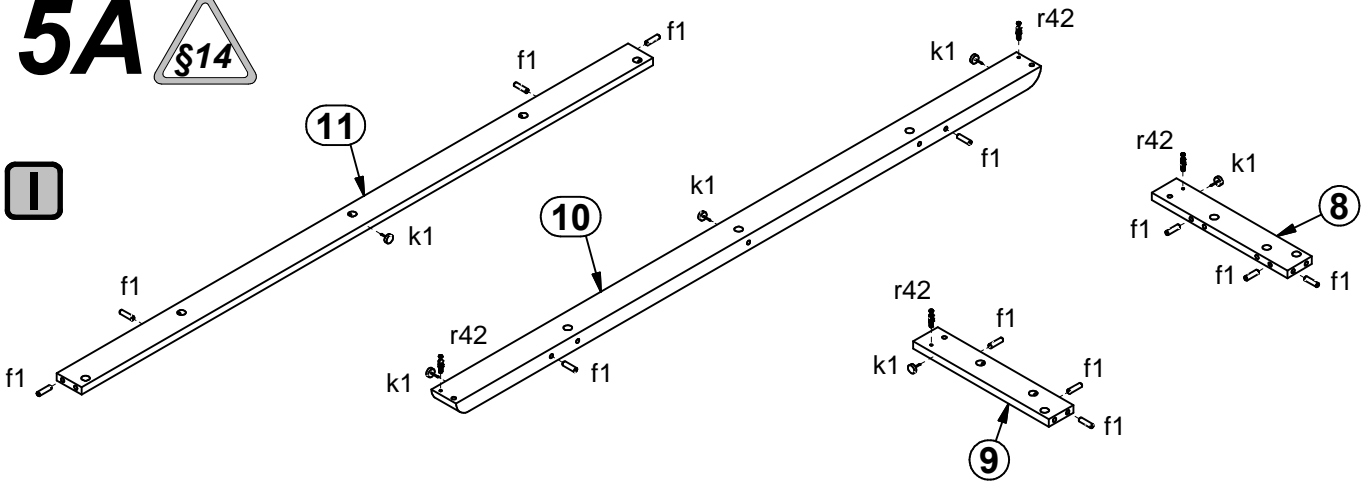




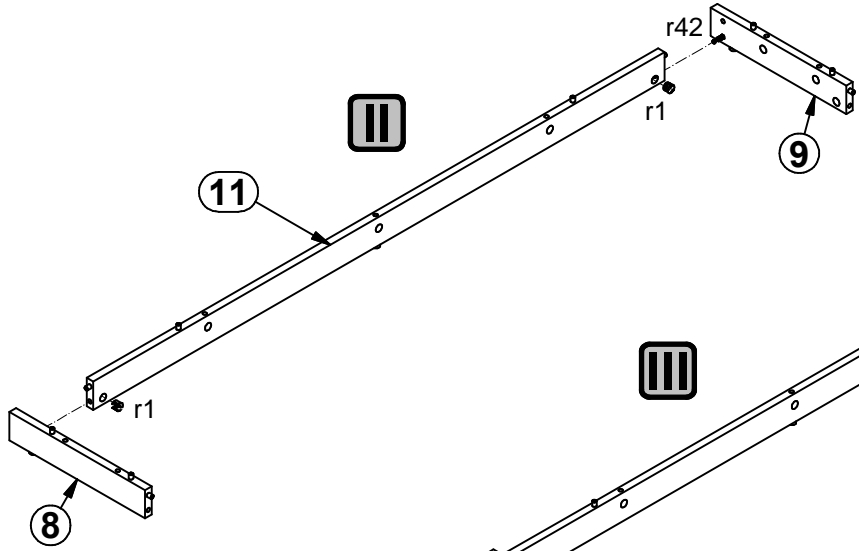
5A



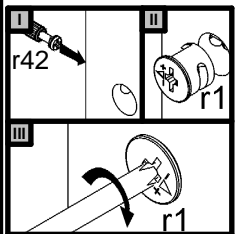
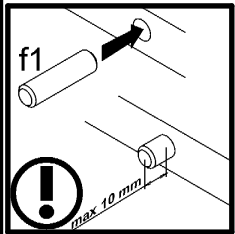
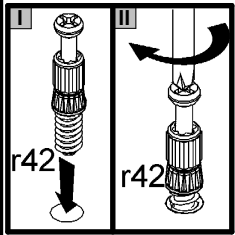
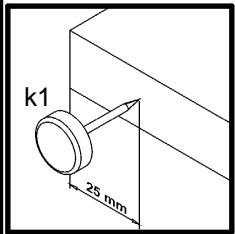
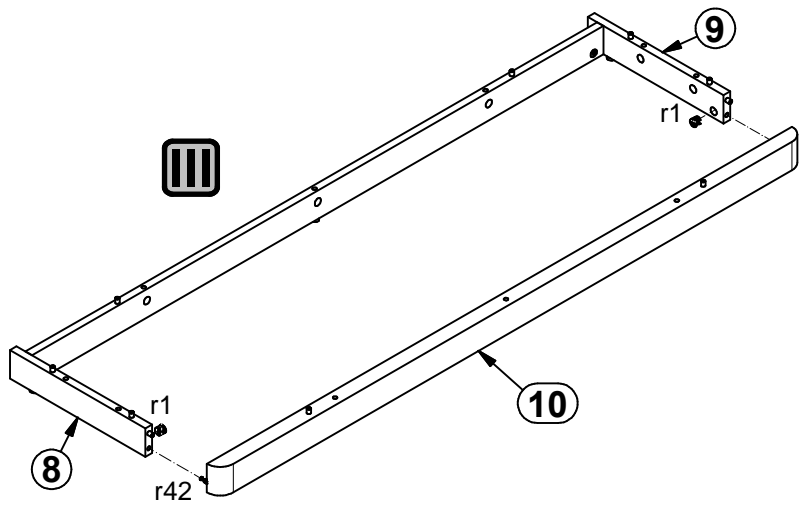
I



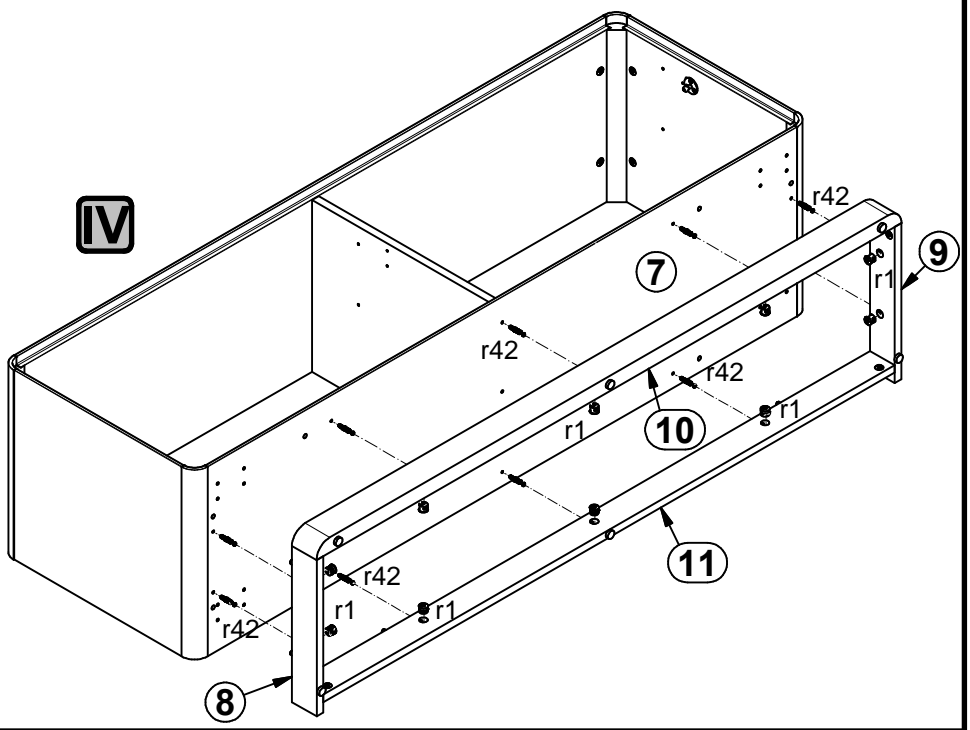
II



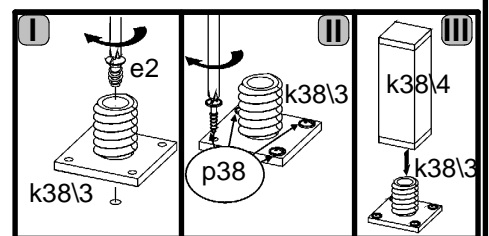
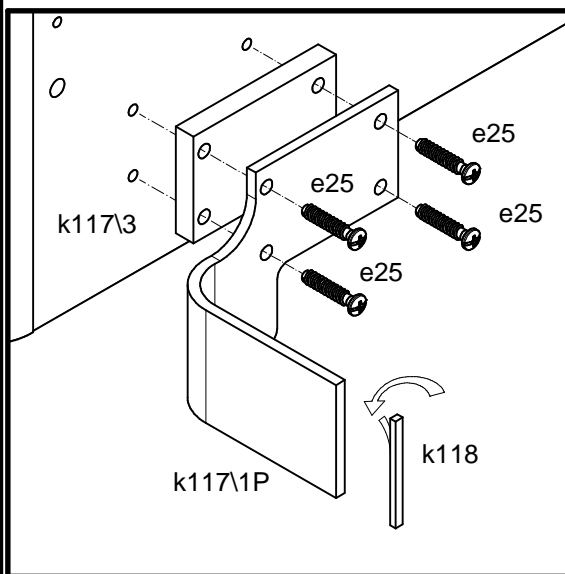
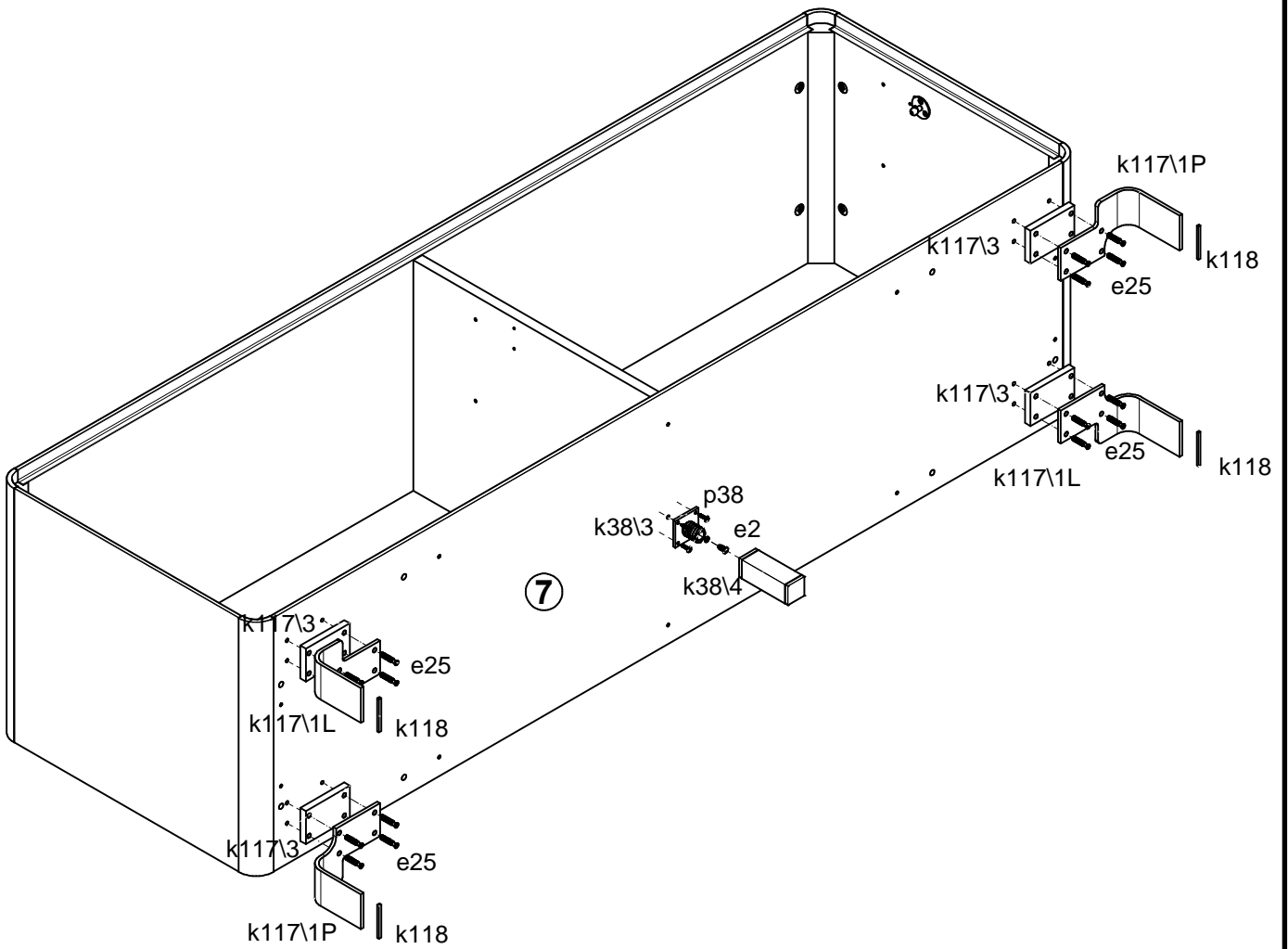
III



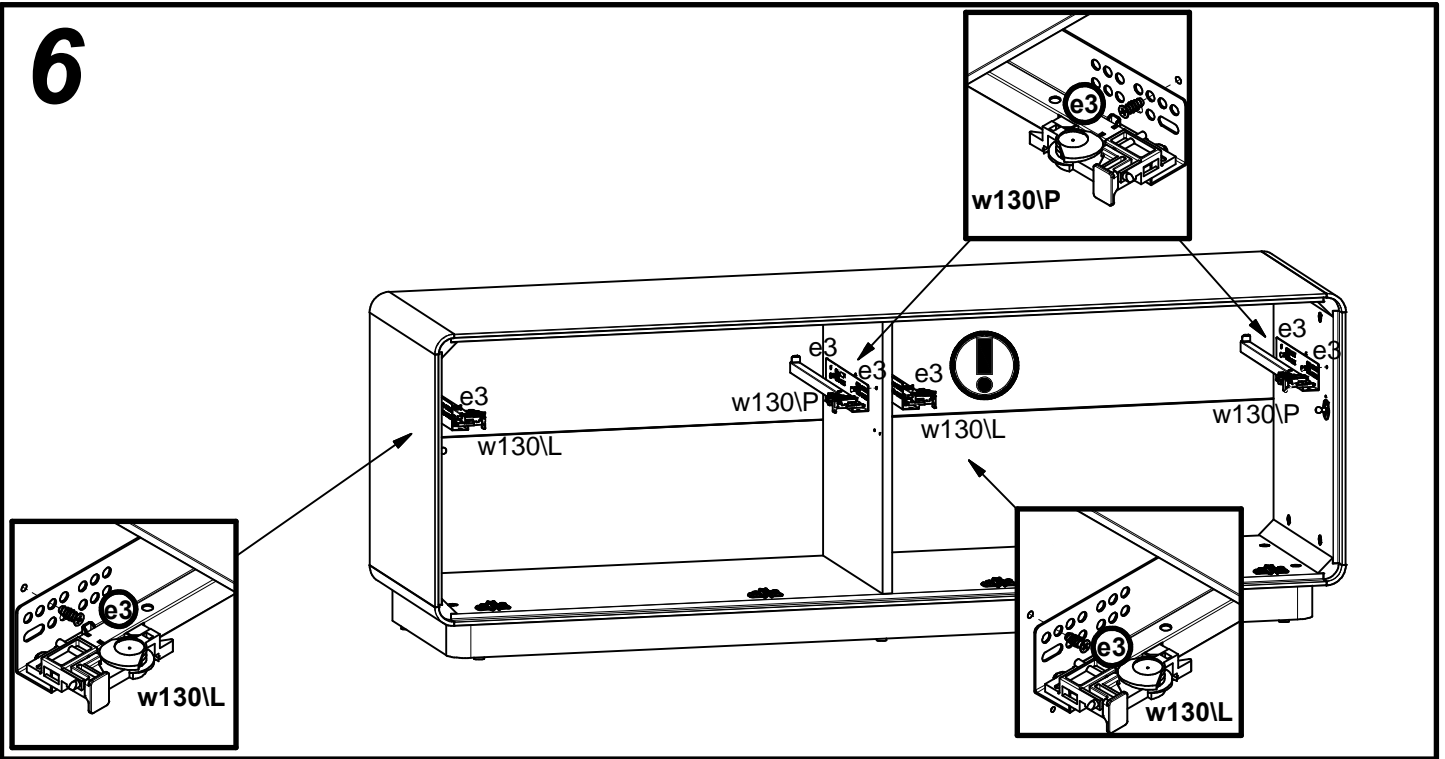
IV



5B



6



7

