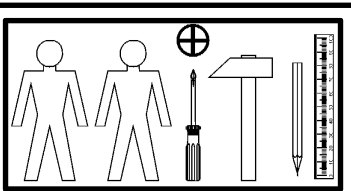
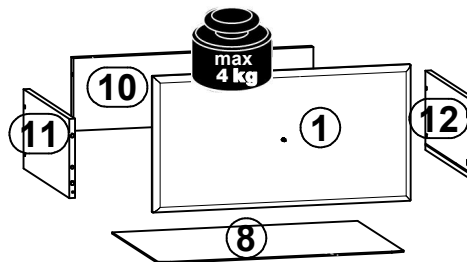
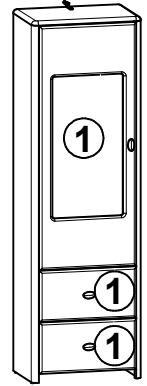
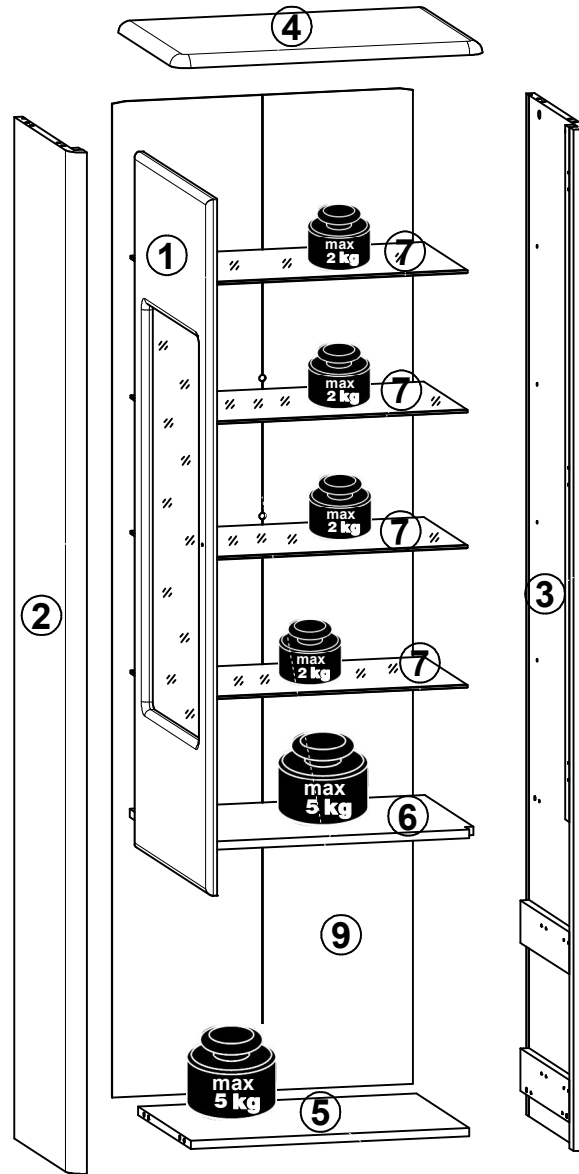


**A**

# LEDA

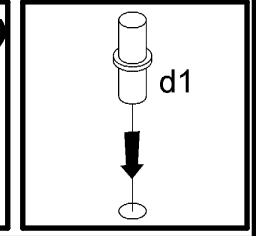
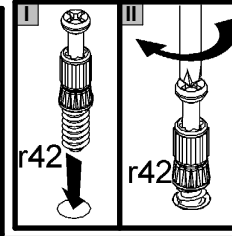
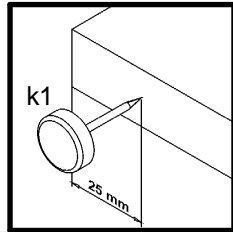
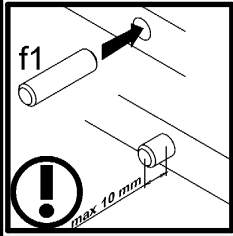
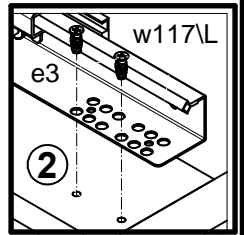
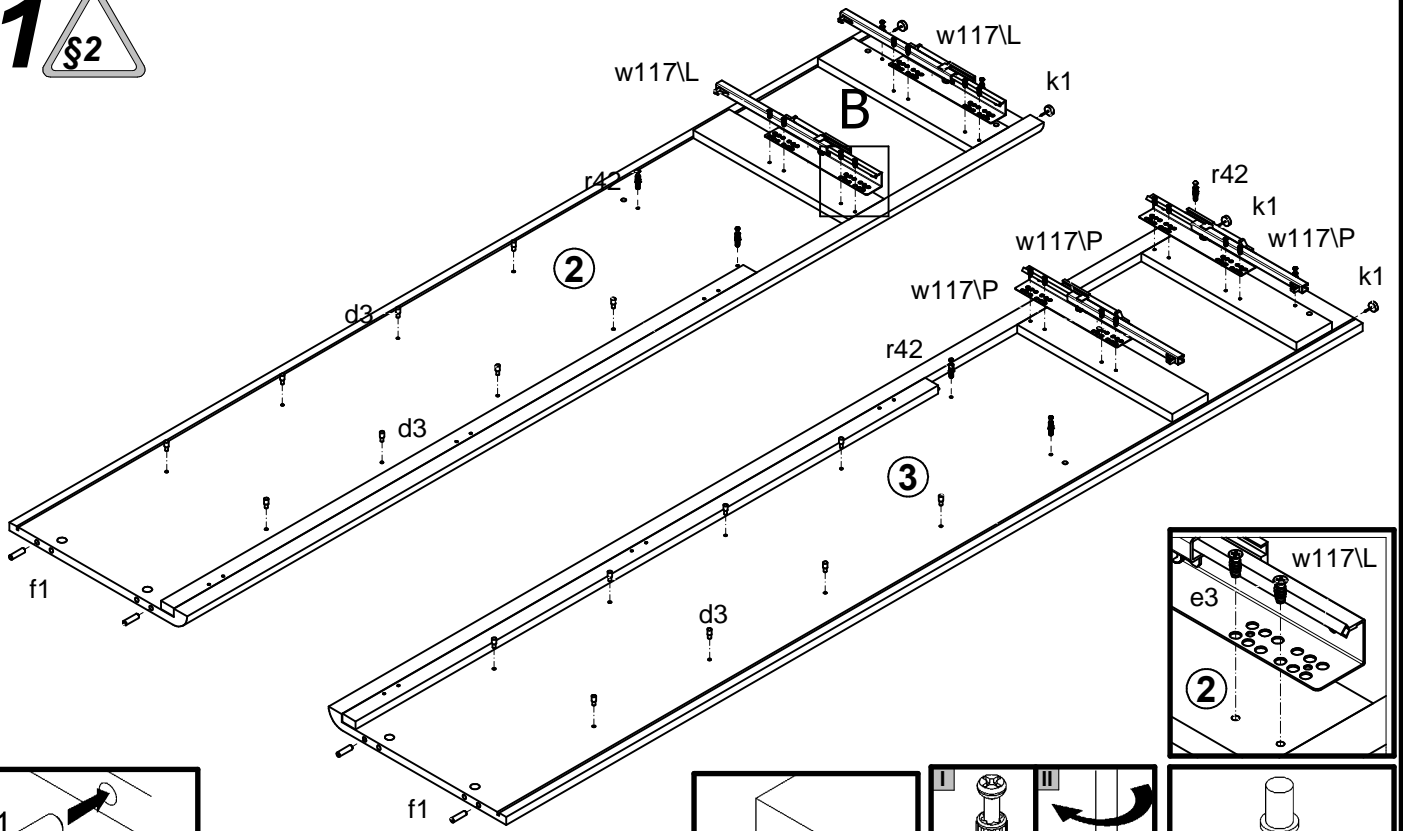
**S349-REG1W2S**

A	B	C	D
1	S349-0006	1313	530 4/4
2	S349-1007	1925	399 1/4
3	S349-1008	1925	399 1/4
4	S349-2003	599	399,5 2/4
5	S349-3003	534	378 2/4
6	S349-3007	566	378 2/4
7	S349-5001	564	310 2/4
8	S349-9003	505	355 2/4
9	S349-9305	1877	577 1/4
10	ZQ2-580	494	147 1/4
11	ZQ3-503	350	160 1/4
12	ZQ3-504	350	160 1/4

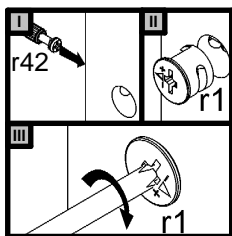
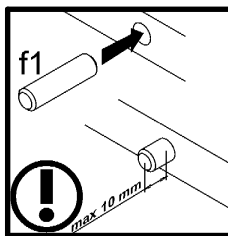
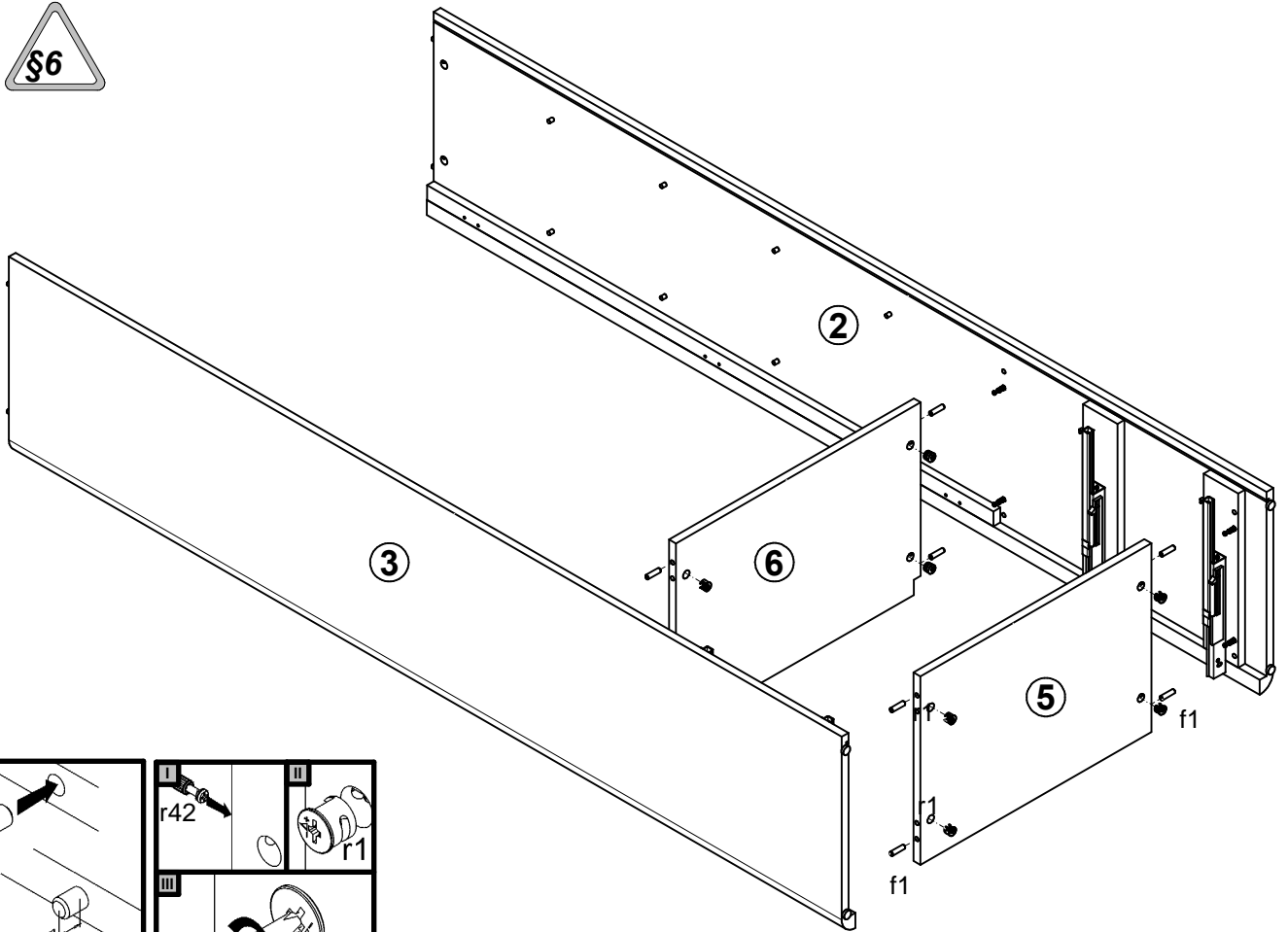


2x K16: 436  <b>a101</b>	1x K16  <b>a43</b>	1x  <b>b60</b>	2x H2  <b>b66</b>	3x M4  <b>c437</b>	16x  Ø5x17 mm <b>d3</b>	3x  M4x28 mm <b>j11</b>	16x  Ø6x13 mm <b>e3</b>	12x  Ø8x30 mm <b>f1</b>
8x  Ø6.5x40 mm <b>f25</b>	1x  Ø10x50 mm <b>f35</b>	4x  Ø6x30 mm <b>f9</b>	4x  <b>k1</b>	15x  <b>l1</b>	14x  <b>l2</b>	1x  86x21x151.5 <b>n14 2</b>	1x  40x46x30/1.5 <b>n25</b>	4x  Ø 20mm <b>s68</b>
2x  <b>o43 8</b>	1x  Ø5x60 mm <b>p17</b>	2x  Ø3.5x13 mm <b>p27</b>	12x  Ø3.5x16 mm <b>p38</b>	6x  Ø3.5x15 mm <b>p51</b>	12x  Ø15x12 mm #16 <b>r1</b>	8x  Ø12x10.5 mm #12 <b>r15</b>	20x  <b>r42</b>	
2x  350 mm W117 L <b>w117 L</b>	2x  350 mm W117 P <b>w117 P</b>							

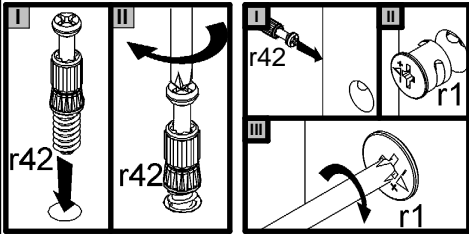
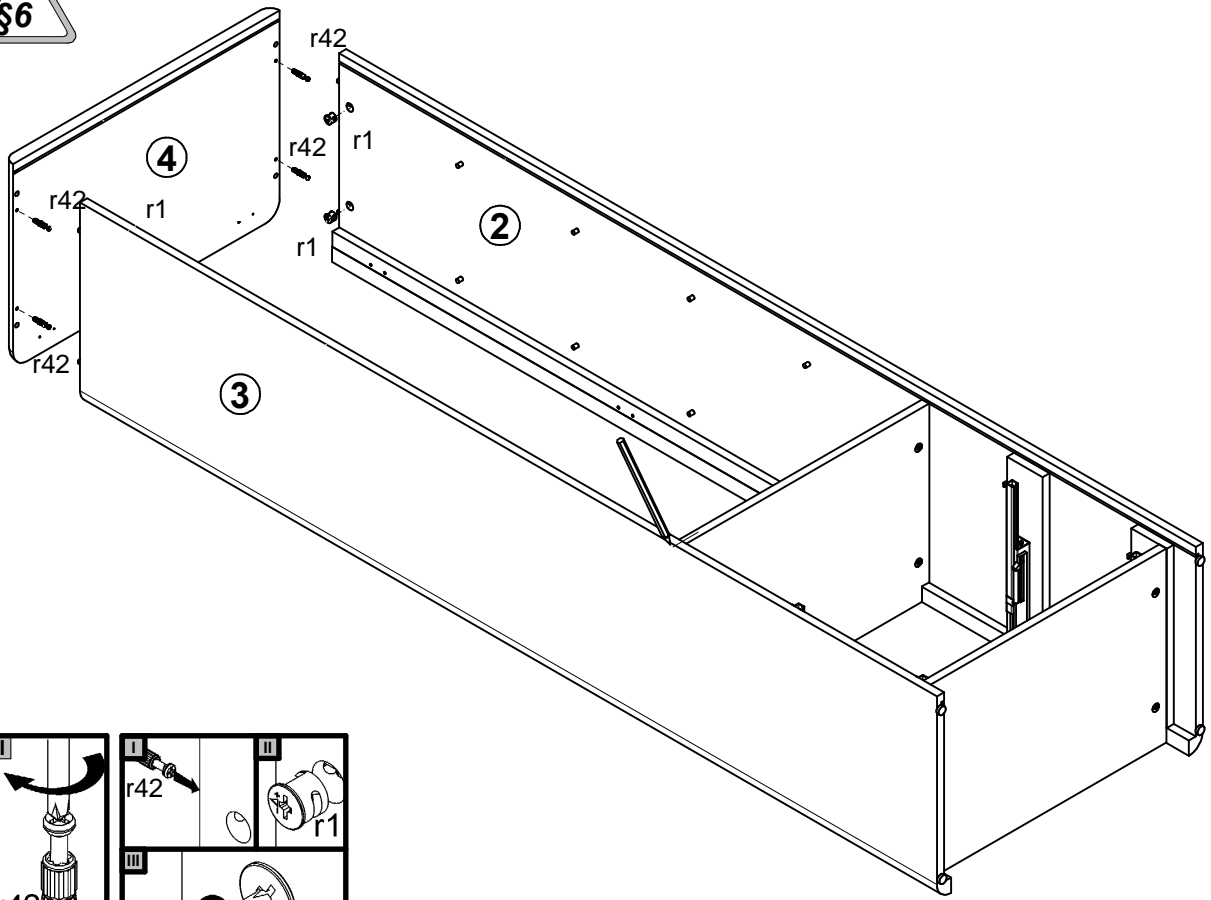
**1** 



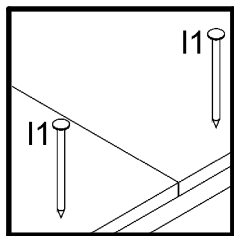
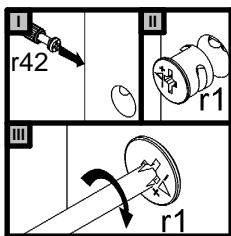
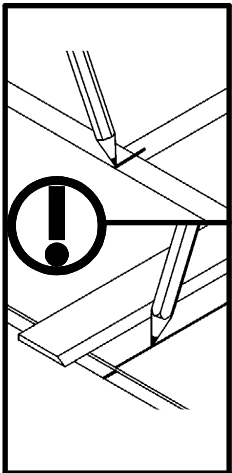
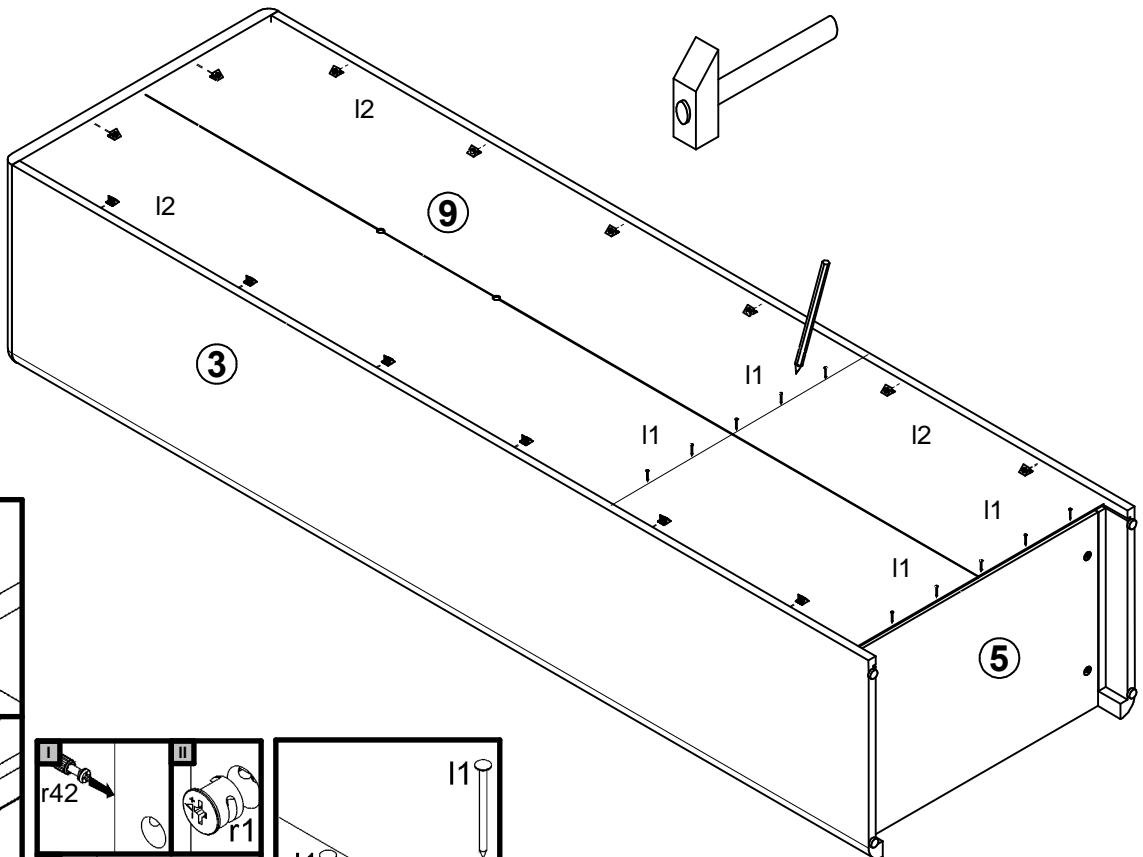
**2** 



# 3

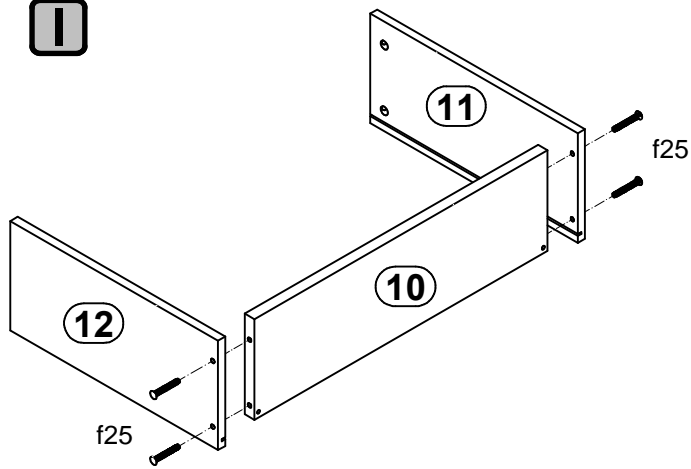


# 4

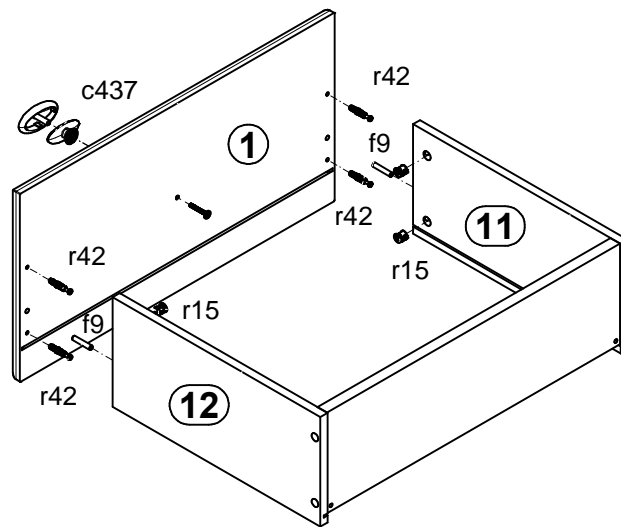


# 5

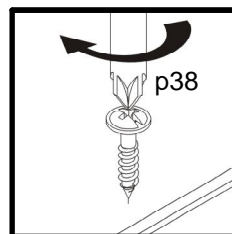
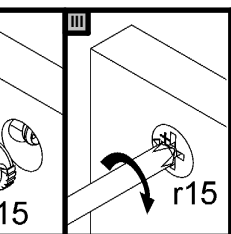
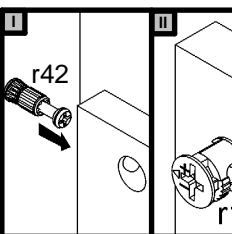
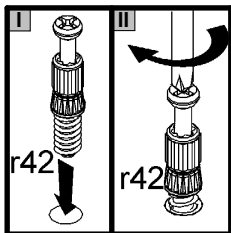
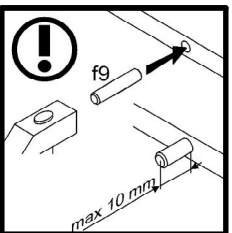
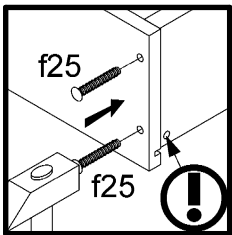
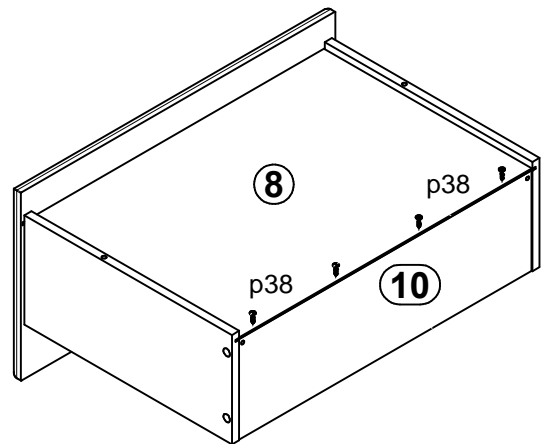
I



II



III



# 6

