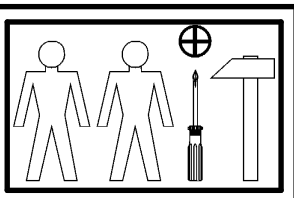
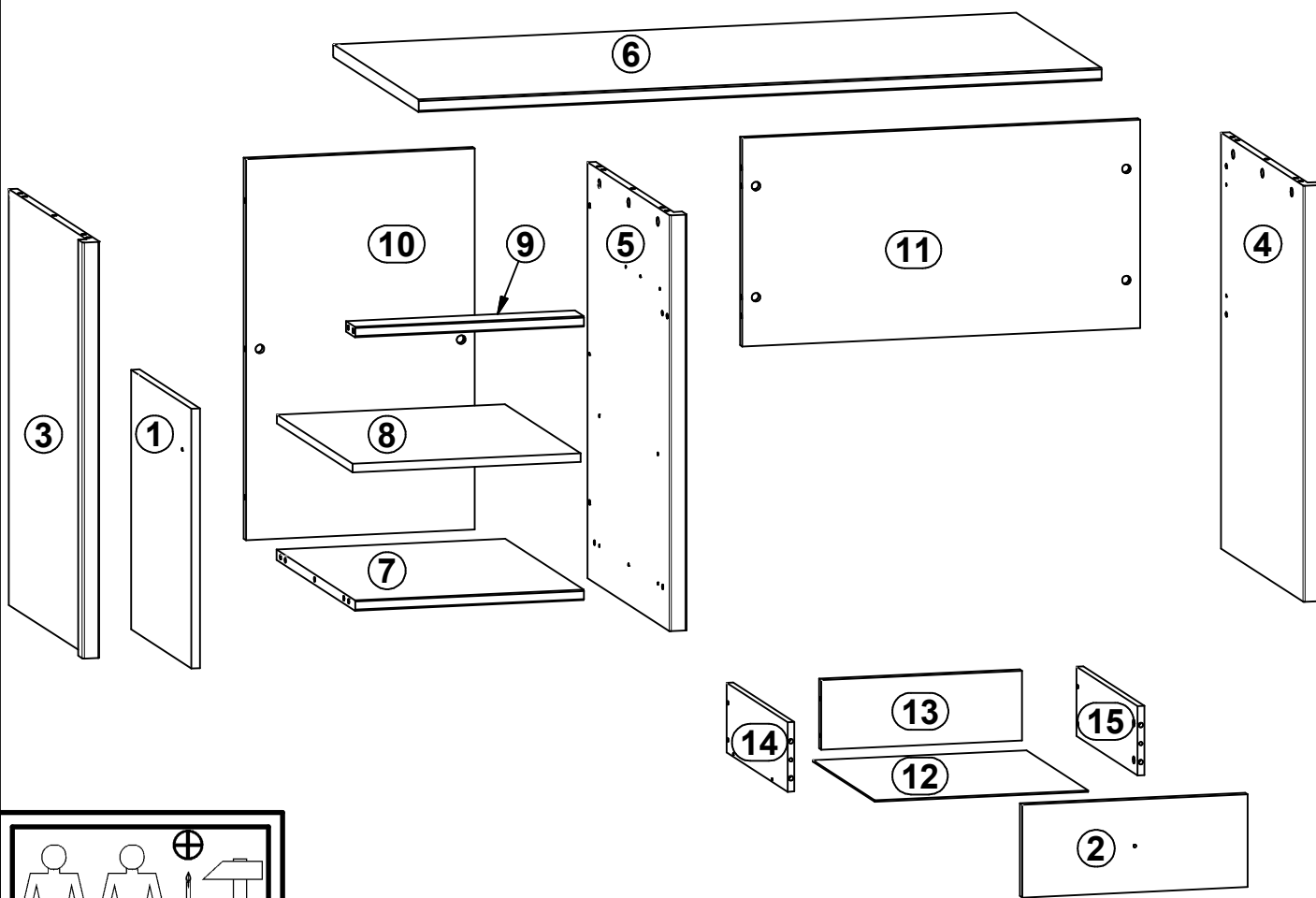
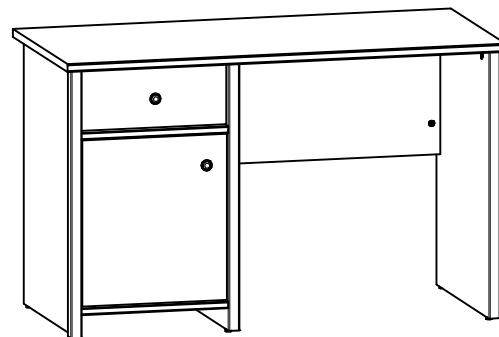
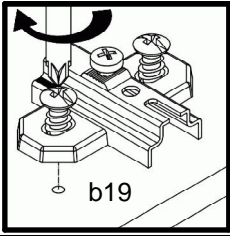
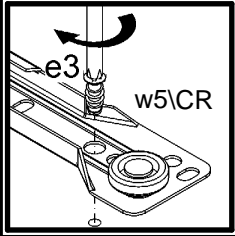
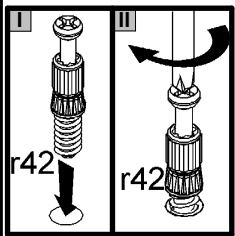
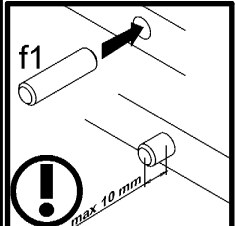
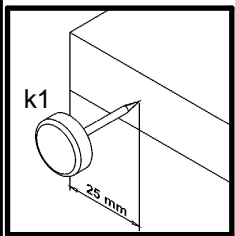
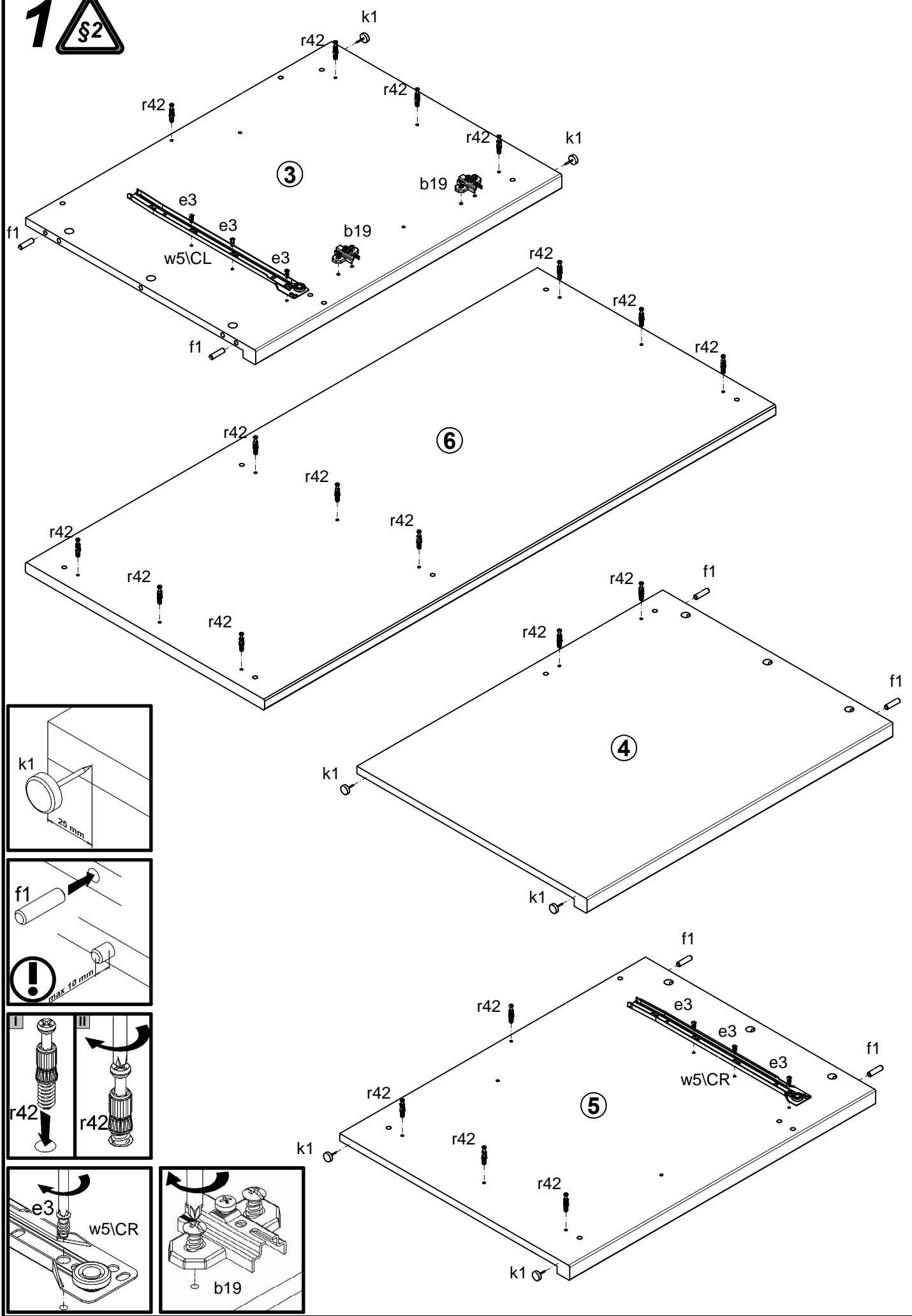


A	B	C	D	
1	S322-020	448	396	3/3
2	S322-021	396	160	3/3
3	S322-128	718	540	1/3
4	S322-129	718	540	1/3
5	S322-130	718	540	1/3
6	S322-209	1200	562	2/3
7	S322-314	402	516	1/3
8	S322-315	401	497	1/3
9	S322-410	402	60	1/3
10	S322-411	658	402	1/3
11	S322-412	699	360	1/3
12	S322-925	375	405	1/3
13	ZS3-5627	353	120	1/3
14	ZS4-503	400	120	1/3
15	ZS4-504	400	120	1/3

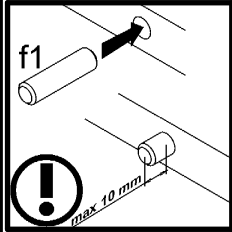
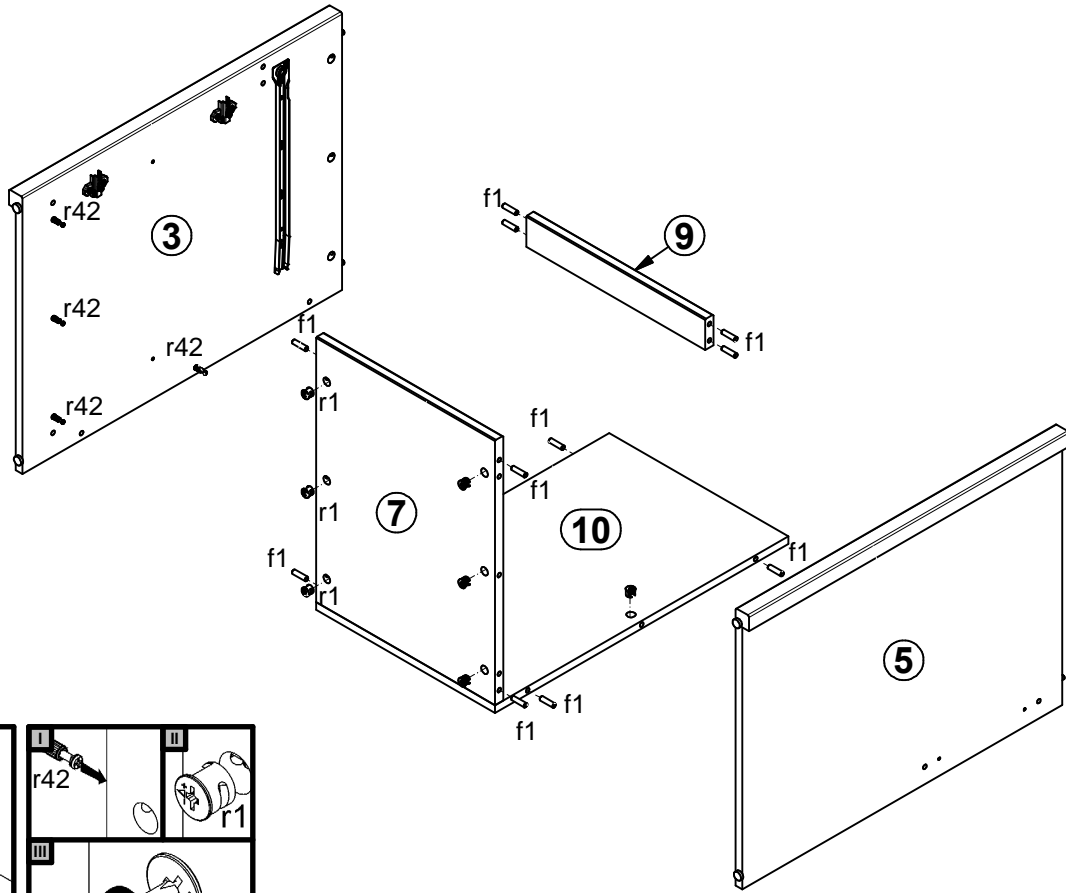


2x K16 a43	2x b19	2x M4 c415	4x Ø5x17 mm d1	6x Ø6x13 mm e3	4x Ø5x9 mm e19	22x Ø8x30 mm f1	2x Ø6x30 mm f9	4x Ø6.5x40 mm f25
2x M4x20 mm j1	6x k1	1x silikon o21	3x Ø3.5x16 mm p38	4x Ø3.5x15 mm p51	21x Ø15x12 mm #16 r1	4x Ø12x10.5 mm #12 r15	25x 20x11 r42	1x 400 mm w5\CL
1x 400 mm w5\CR	1x 400 mm w5\DL	1x 400 mm w5\DR	11x Ø16 s2					

1 



# 2



# 3

