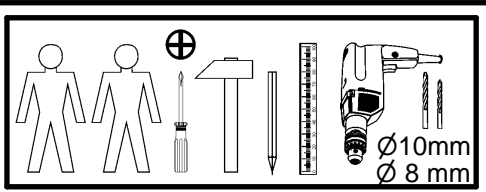
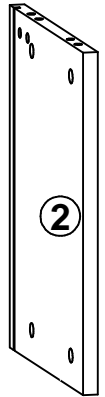
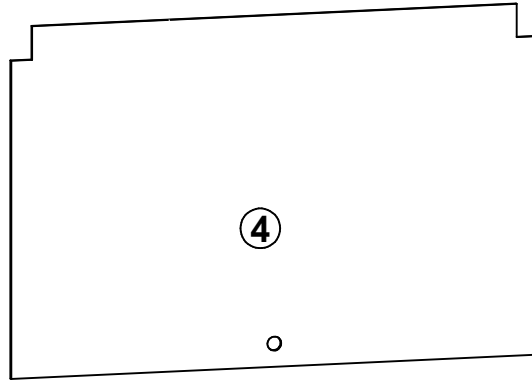
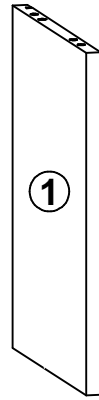
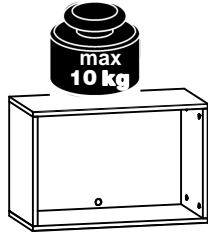
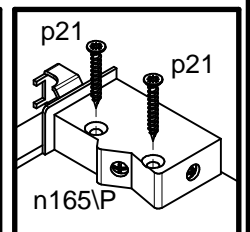
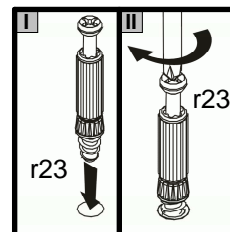
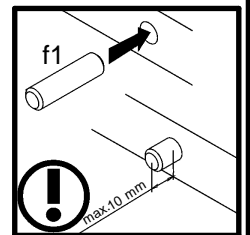
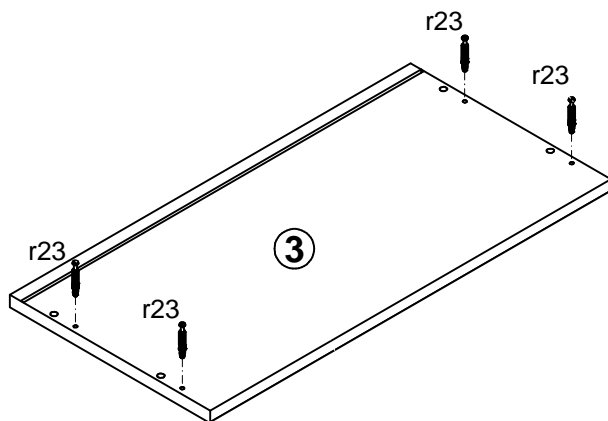
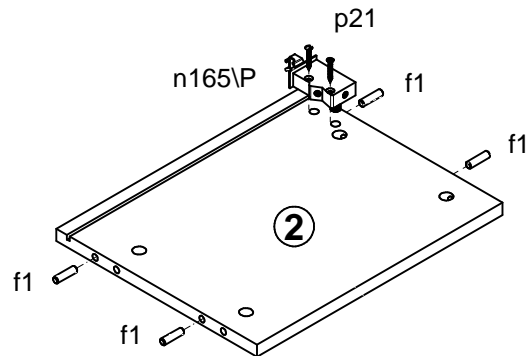
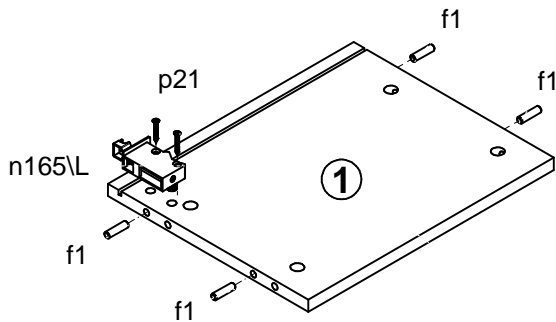


A	B	C	D
1	S371-1020	368	300
2	S371-1021	368	300
3	S371-2019	600	300
4	S371-9015	378	577

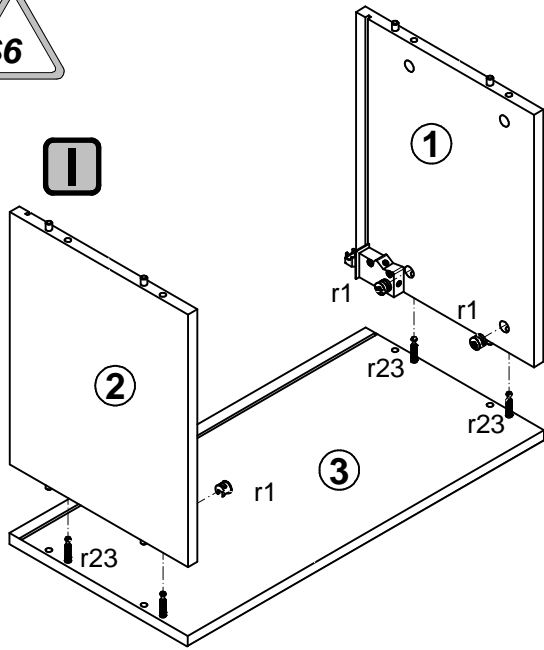


8x Ø8x30 mm f1	1x Ø8x40 mm f28	2x Ø10x50 mm f35	6x l2	1x n165\L	1x n165\P	1x 30x15x16/2 n211	4x Ø4x30 mm p21	1x Ø5x45 mm p74
1x Ø4x13 mm p93	2x Ø6x60 mm p127	8x Ø15x12 mm #16 r1	8x 30x11 r23	9x Ø 20mm s68				

1 §2

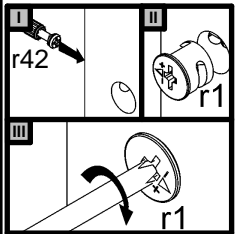
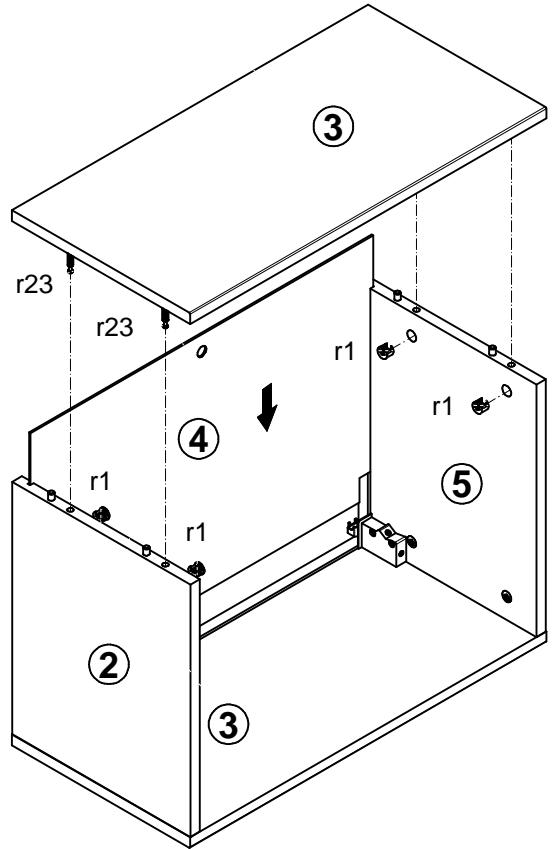


# 2

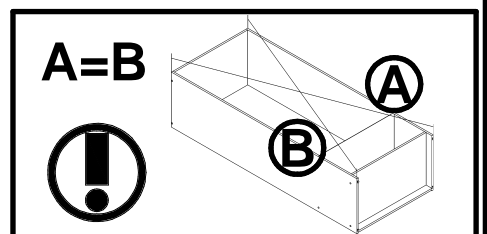
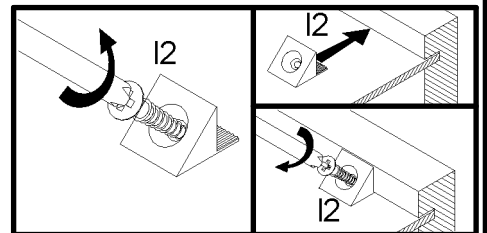
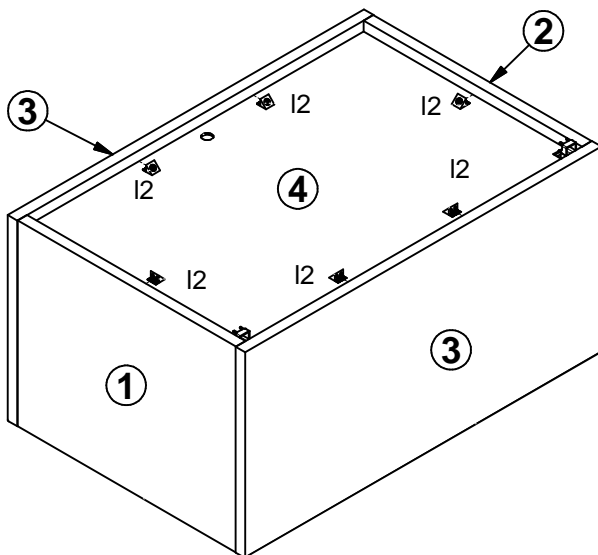


I

II



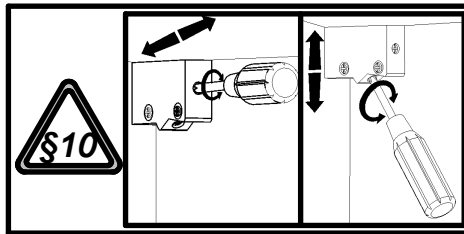
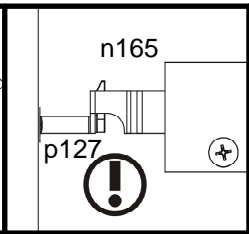
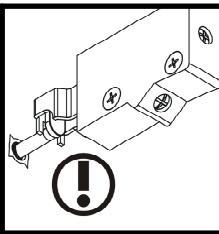
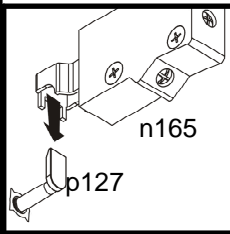
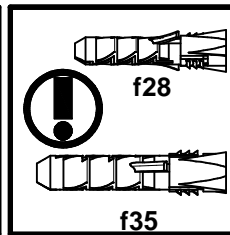
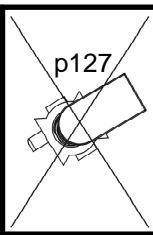
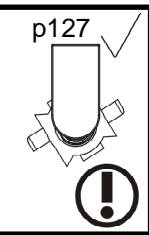
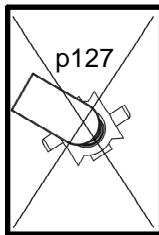
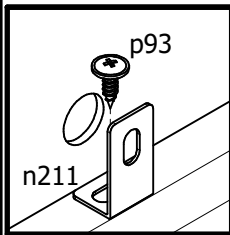
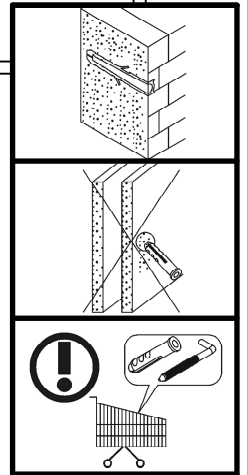
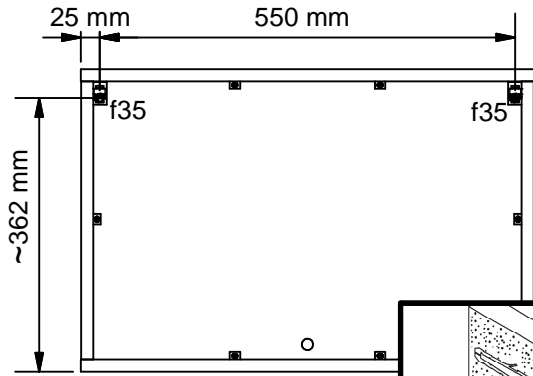
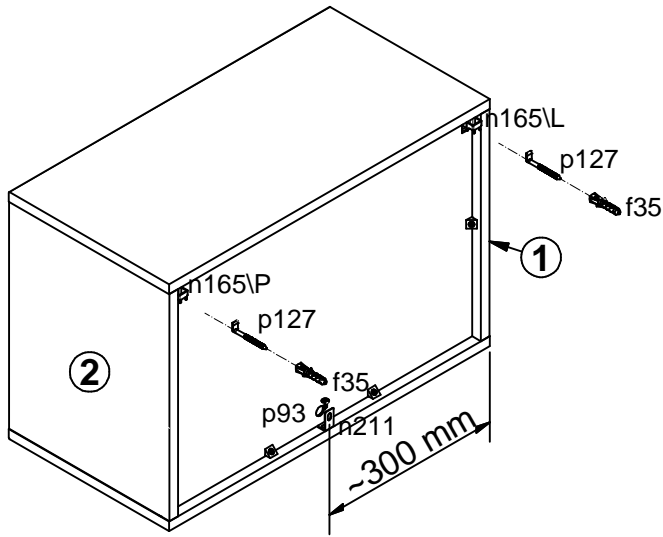
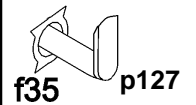
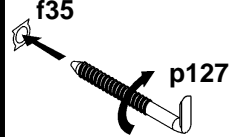
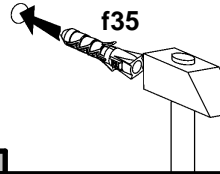
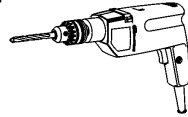
# 3



# 4



φ10 mm



# 5

