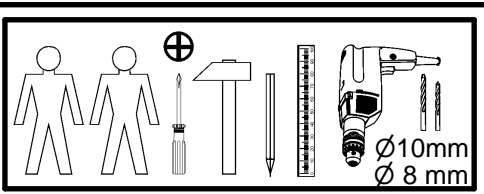
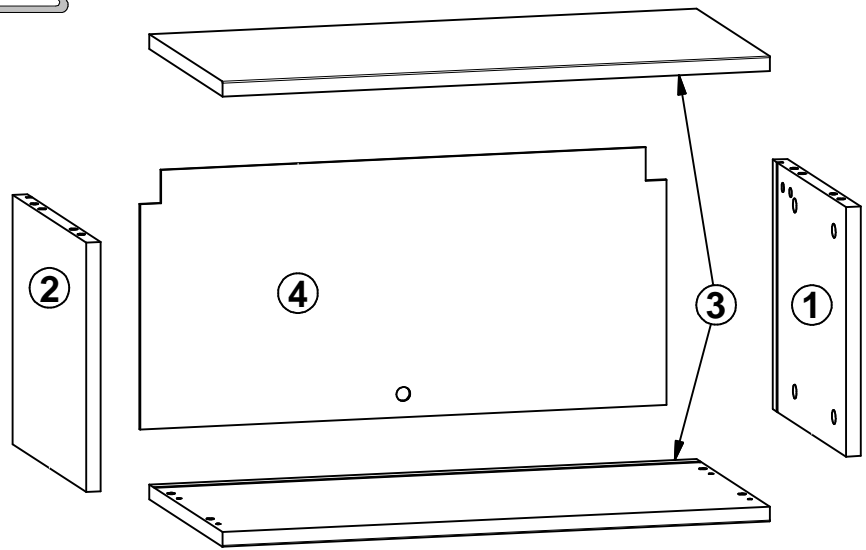
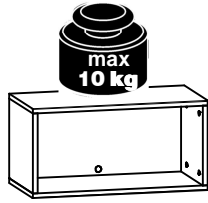
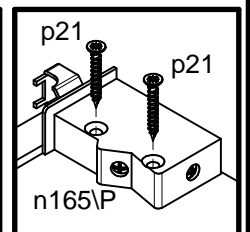
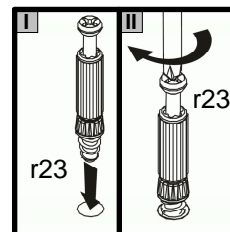
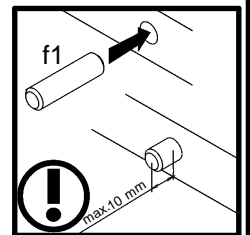
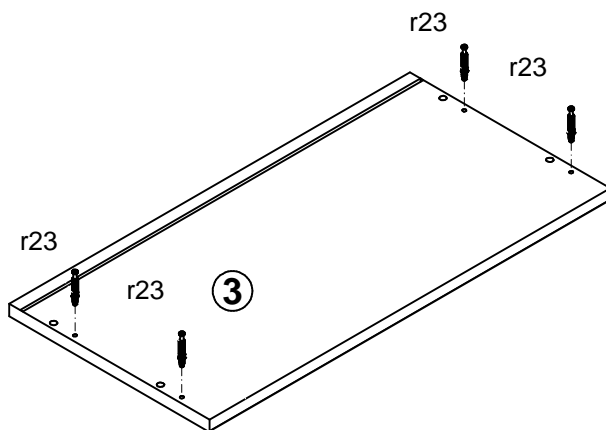
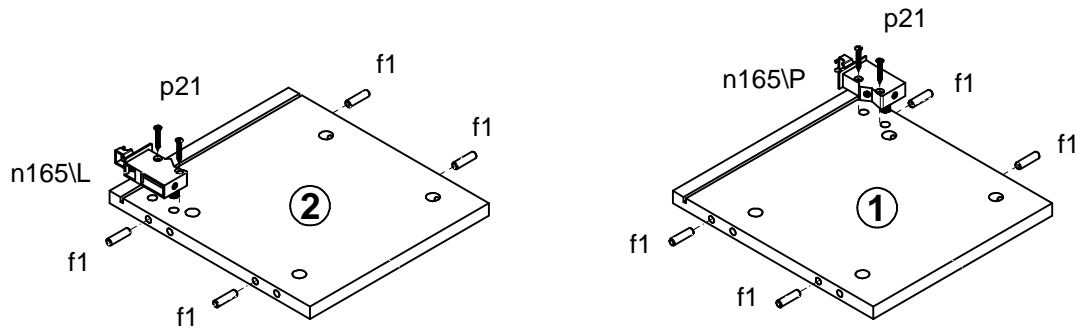


A	B	C	D	
1	S371-1018	268	300	1/1
2	S371-1024	268	300	1/1
3	S371-2019	600	300	1/1
4	S371-9014	278	577	1/1



8x Ø8x30 mm f1	1x Ø8x40 mm f28	2x Ø10x50 mm f35	6x l2	1x n165\L	1x n165\P	1x 30x15x16/2 n211	1x Ø5x45 mm p74	4x Ø4x30 mm p21
1x Ø4x13 mm p93	2x Ø6x60 mm p127	8x Ø15x12 mm #16 r1	8x 30x11 r23	9x Ø 20mm s68				

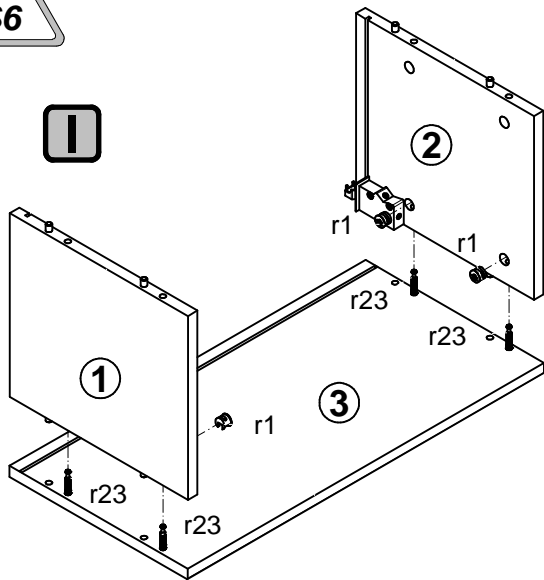
1 S2



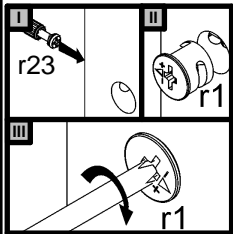
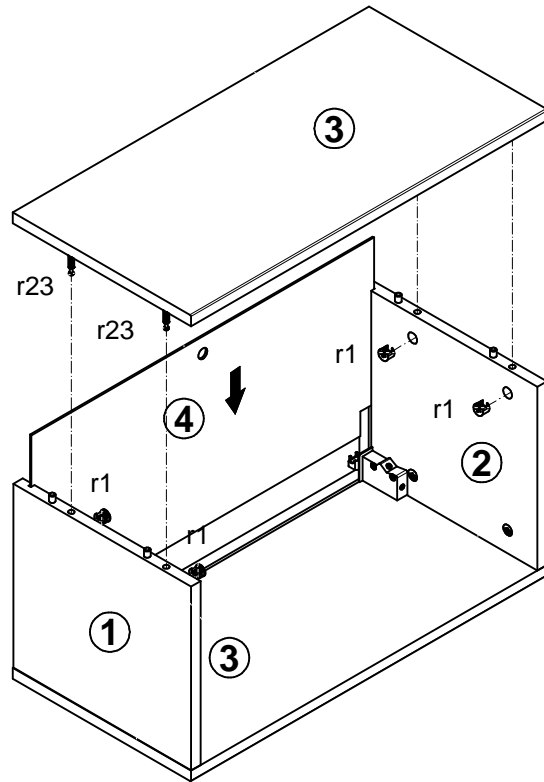
2



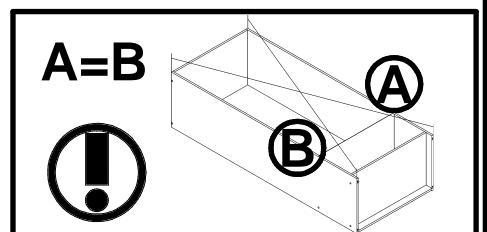
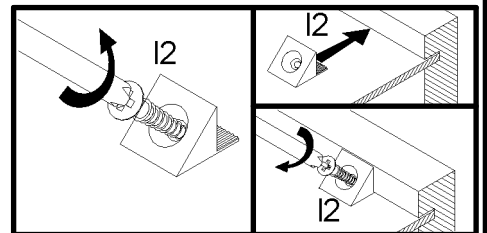
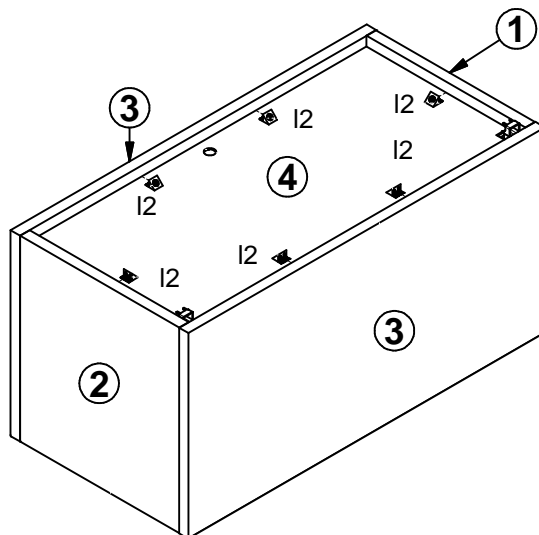
I



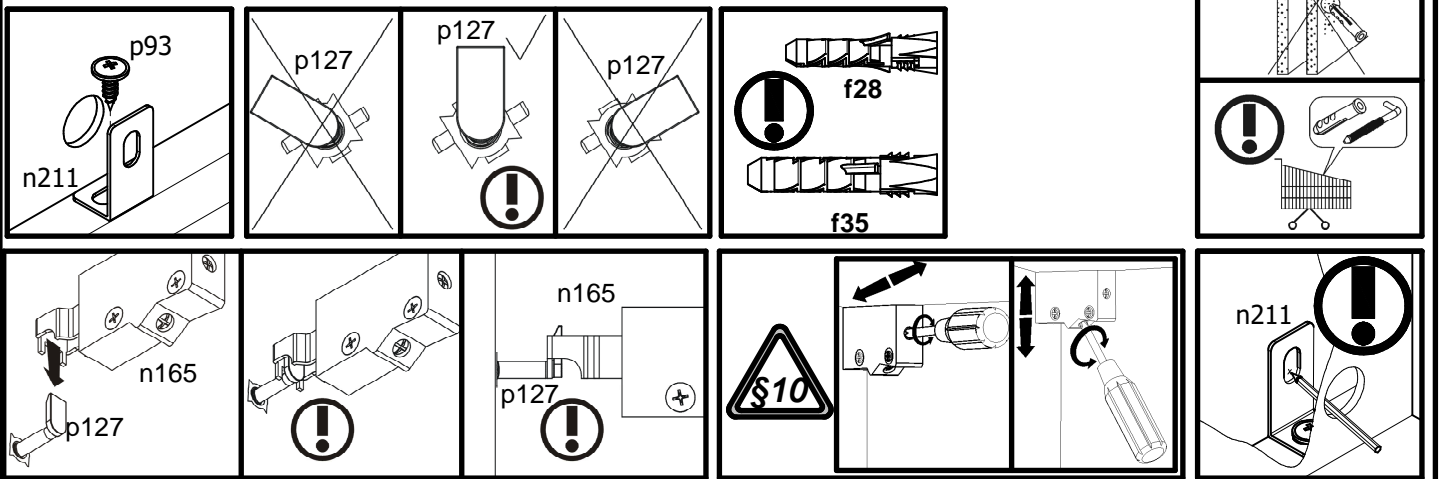
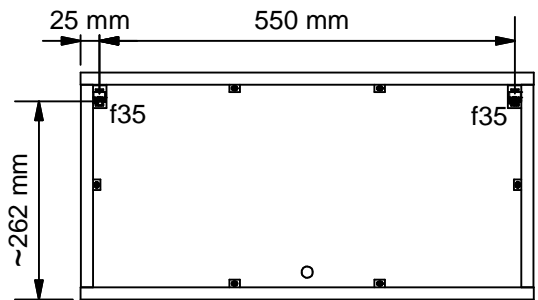
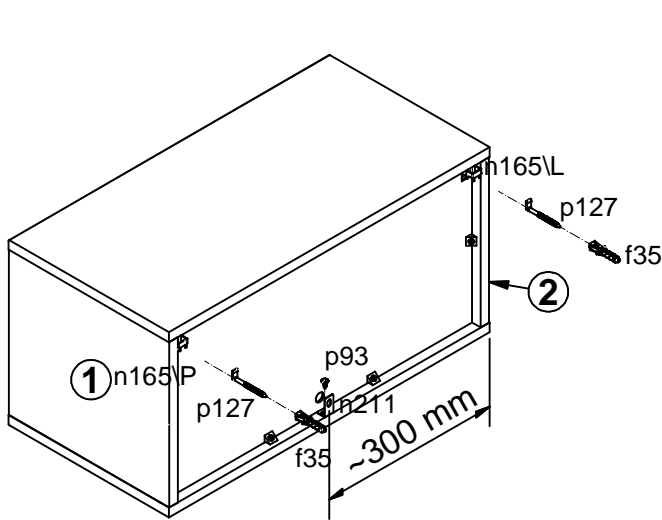
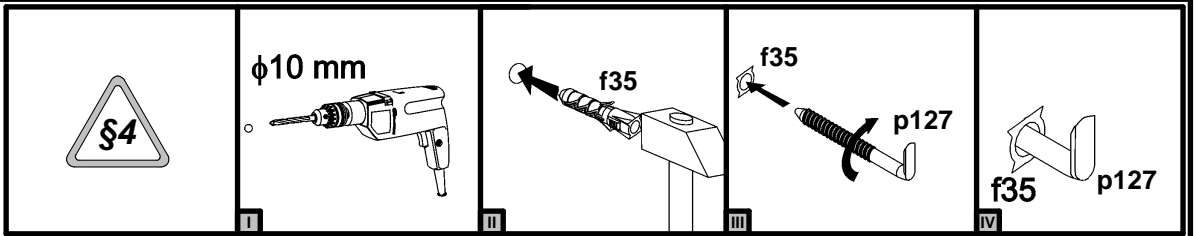
II



3



4



5

