

**A****MODAI**
**S371-RTV2D1S/6/18**  
**S371-RTV2D1W/6/18**

A	B	C	D
1	S371-0020	596	596 4/6 ; 5/6
2	S371-3002	566	370 4/6 ; 5/6
3	S371-9016	578	588 4/6 ; 5/6


**S371-RTV2D/6/12**

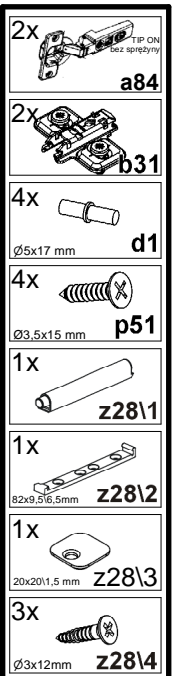
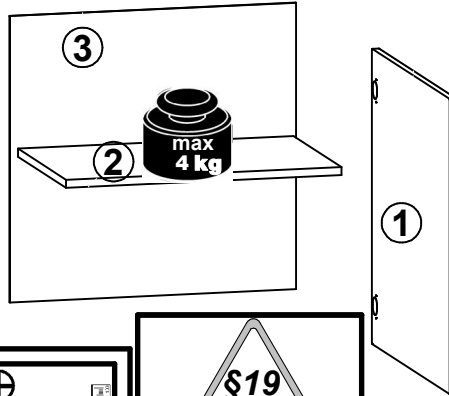
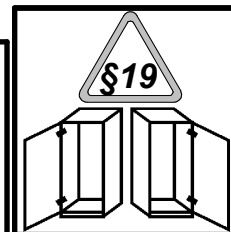
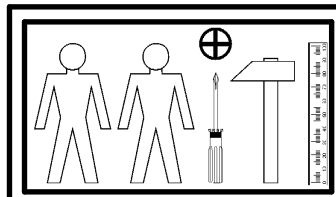
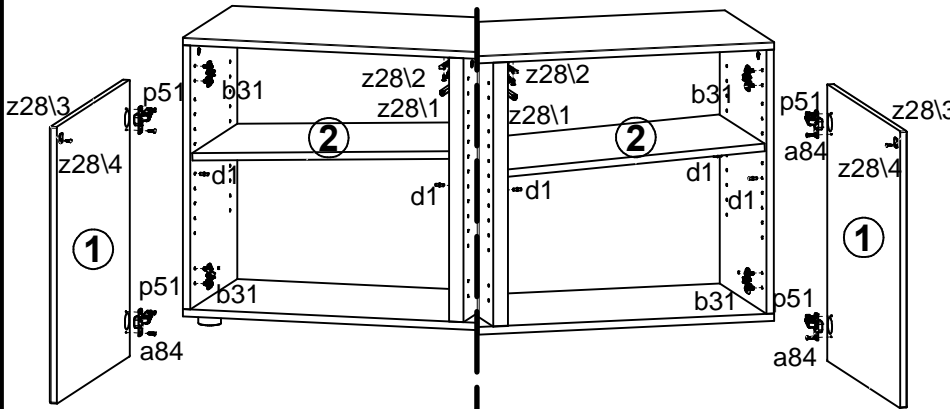
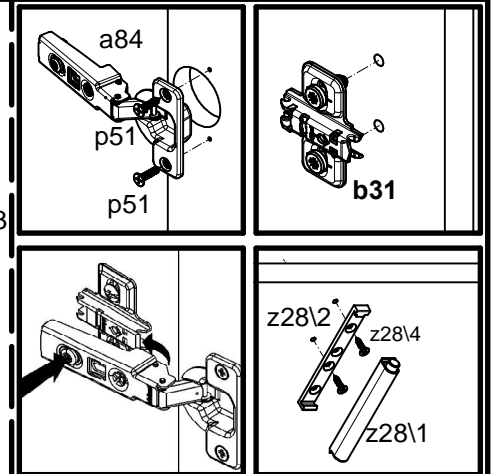
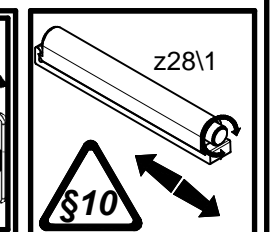
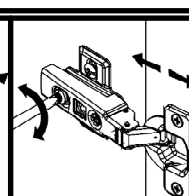
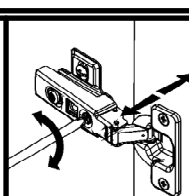
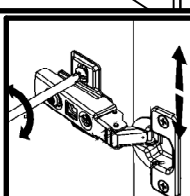
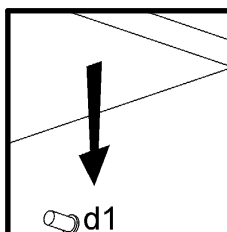
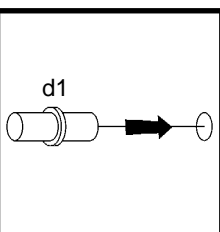
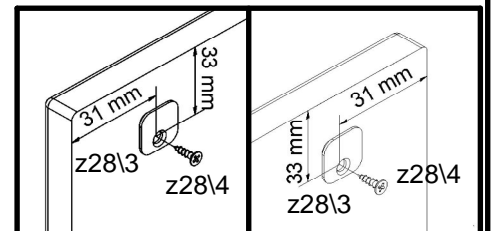
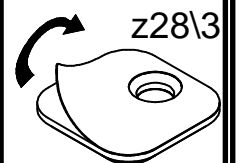
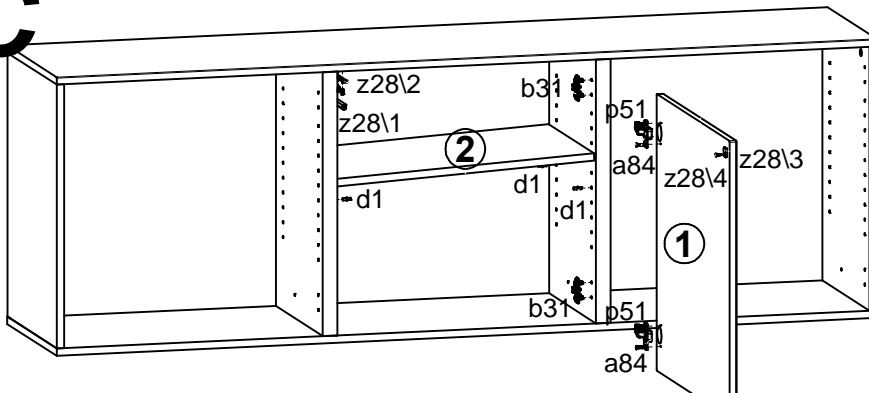
A	B	C	D
1	S371-0020	596	596 3/4 ; 4/4
2	S371-3002	566	370 3/4 ; 4/4
3	S371-9016	578	588 3/4 ; 4/4

**S371-RTV3D/6/18**

A	B	C	D
1	S371-0020	596	596 3/5 ; 4/5 5/5
2	S371-3002	566	370 3/5 ; 4/5 5/5
3	S371-9016	578	588 3/5 ; 4/5 5/5


**S371-RTV1D1S/6/12**  
**S371-RTV1D1W/6/12**

A	B	C	D
1	S371-0020	596	596 4/5
2	S371-3002	566	370 4/5
3	S371-9016	578	588 4/5


**A** §2 §6
**B****C**

**A**

# MODAI

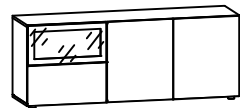
A	B	C	D
1	S371-1007	568	403
2	S371-1008	568	403
3	S371-1009	568	383
4	S371-2003	1599	403
5	S371-2004	1599	403

A	B	C	D
6	S371-9004	578	494

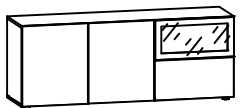


**S371-RTV2D1W/6/16/B**

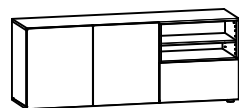
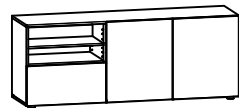
**A**



**B**

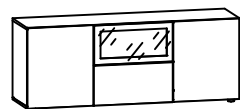


**S371-RTV2D1S/6/16/B**

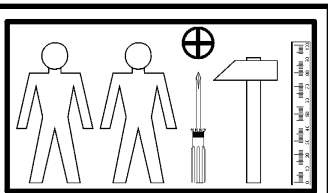
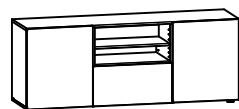


**S371-RTV2D1W/6/16**

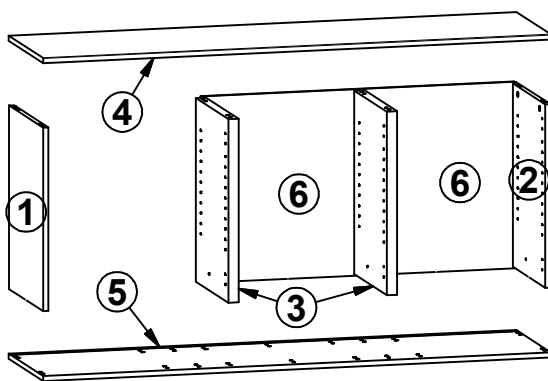
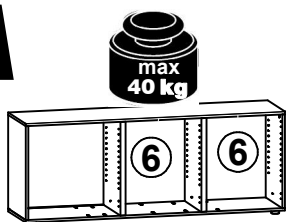
**C**



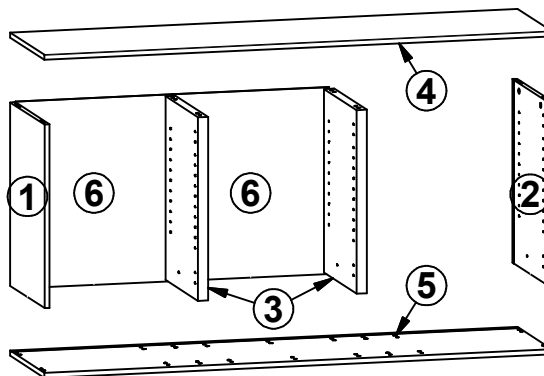
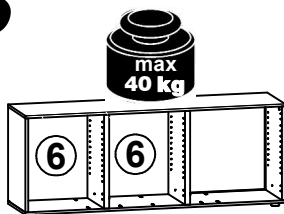
**S371-RTV2D1S/6/16**



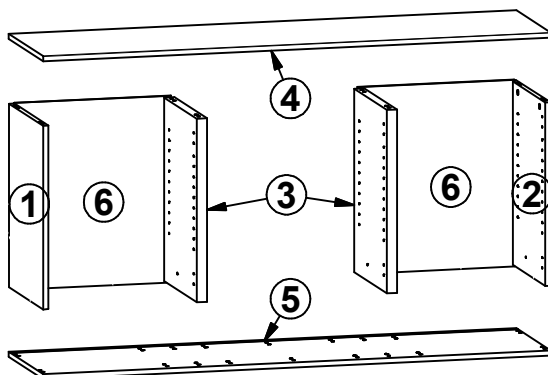
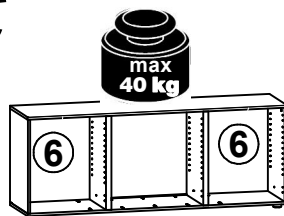
**A**



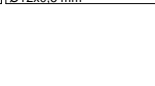
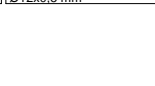
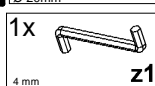
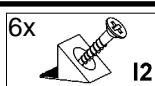
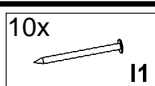
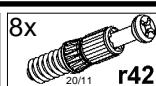
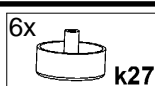
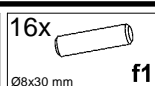
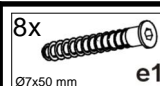
**B**



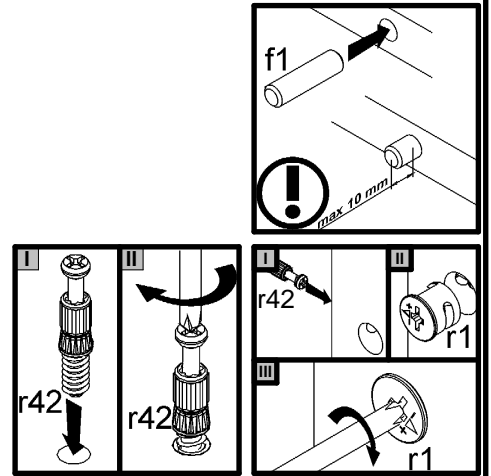
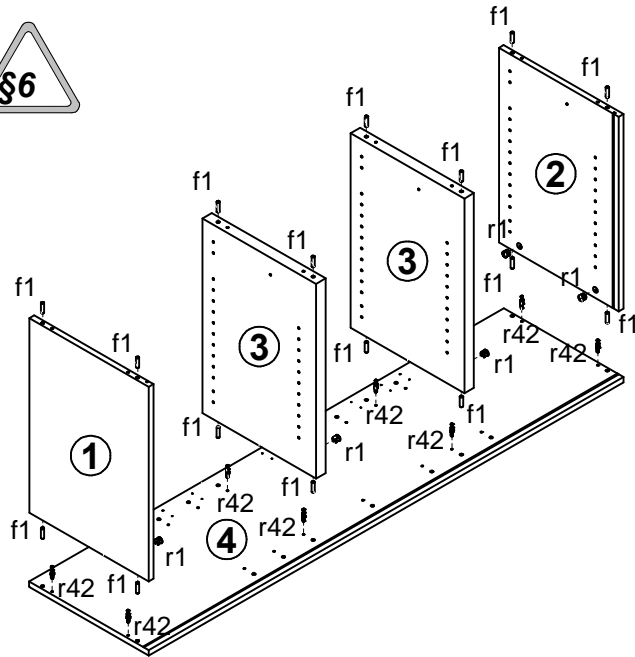
**C**



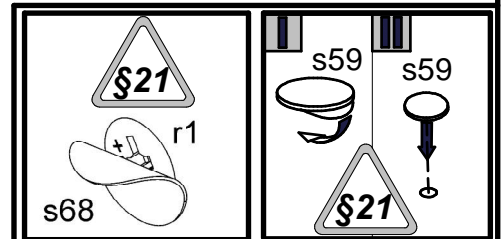
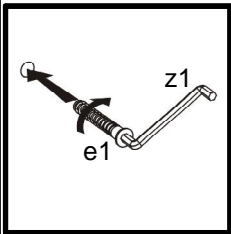
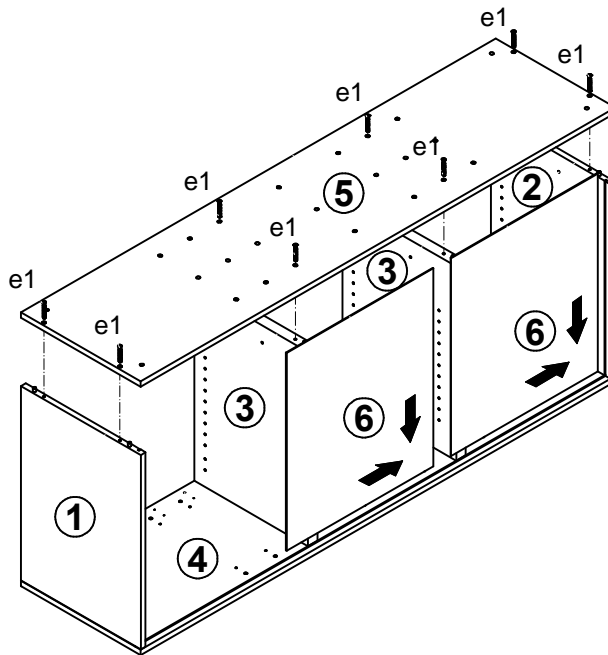
8x Ø7x50 mm e1	16x Ø8x30 mm f1	6x k27	8x Ø15x12 mm #16 r1	8x 20x11 r42	10x l1	6x l2	1x 4 mm z1	8x Ø20mm s68	20x Ø12x0,5 mm s59
----------------------	-----------------------	-----------	---------------------------	--------------------	-----------	----------	------------------	--------------------	--------------------------



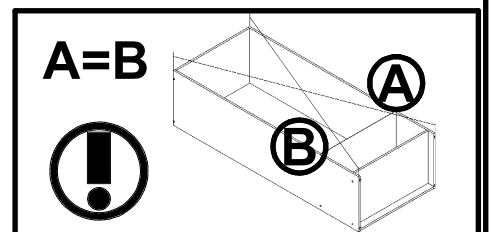
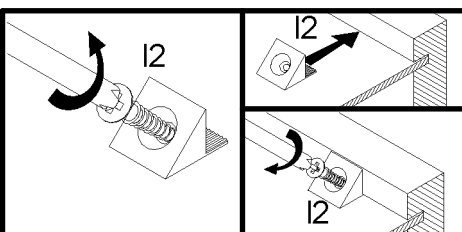
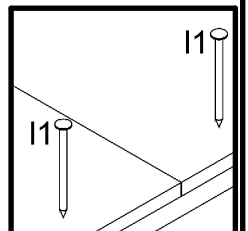
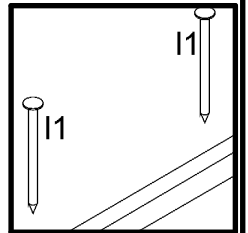
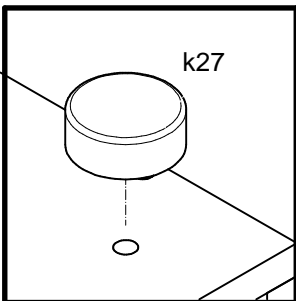
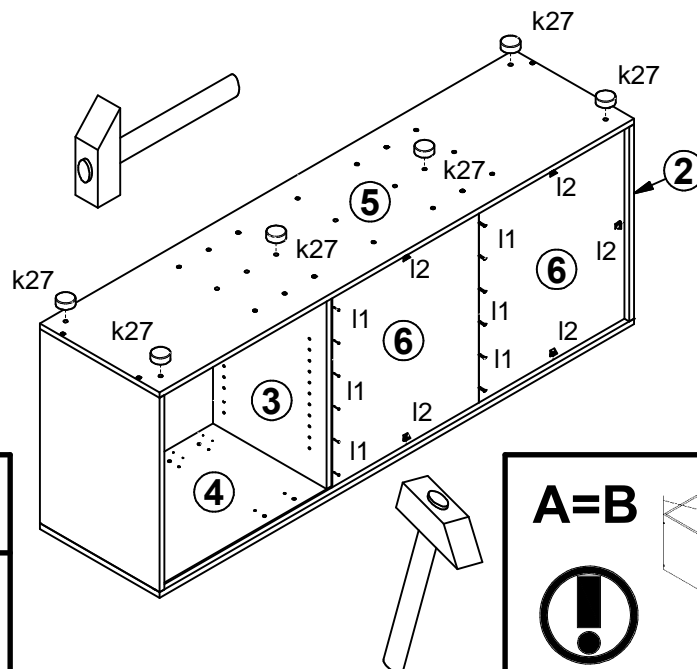
# 1A



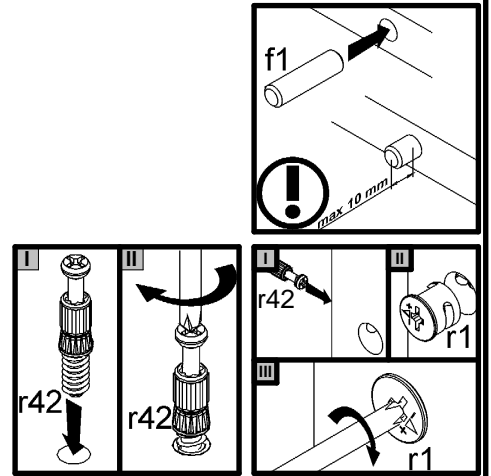
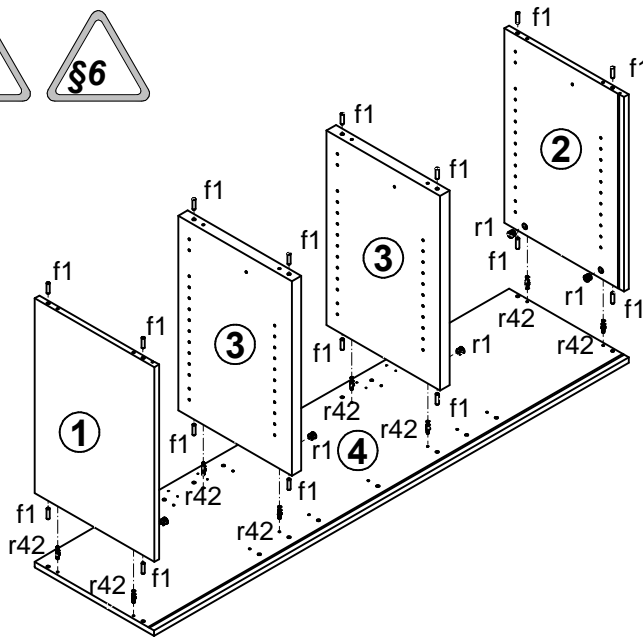
# 2



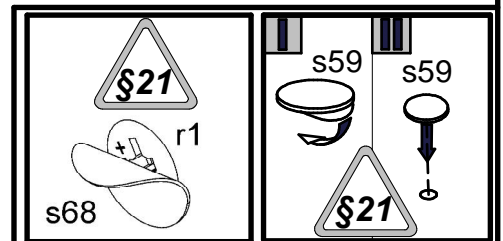
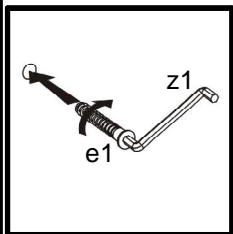
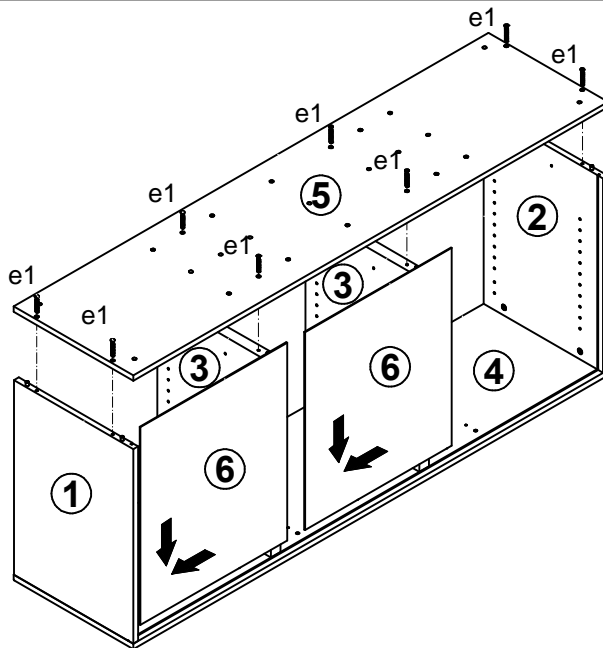
# 3



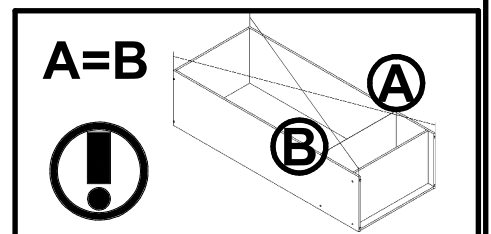
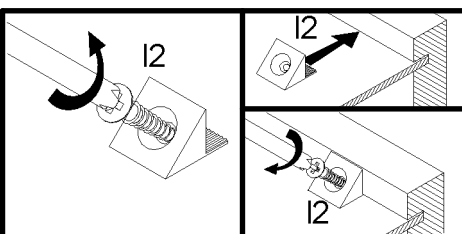
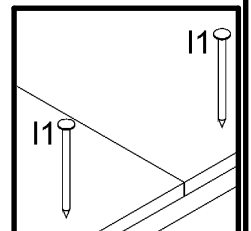
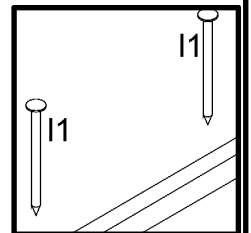
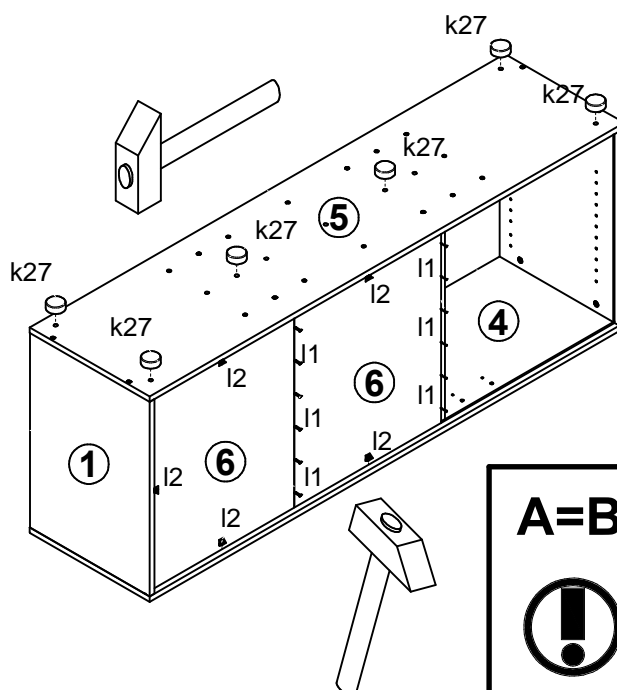
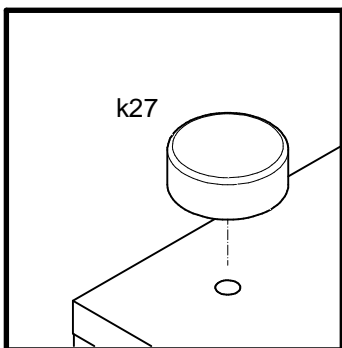
# 1B



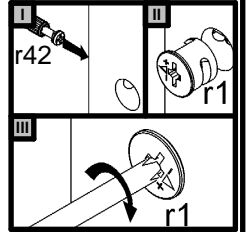
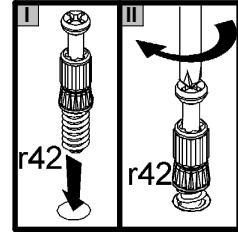
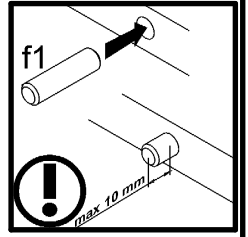
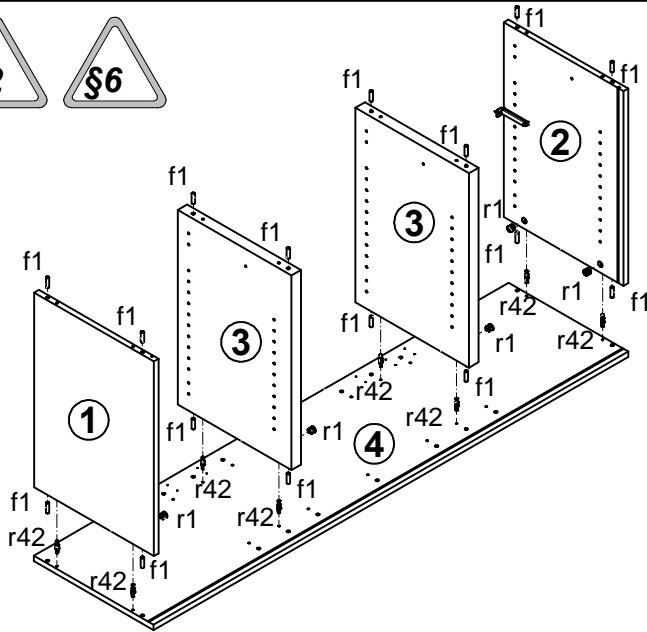
# 2



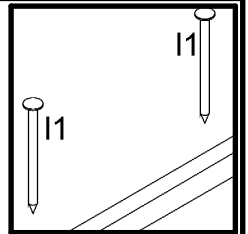
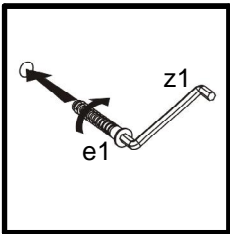
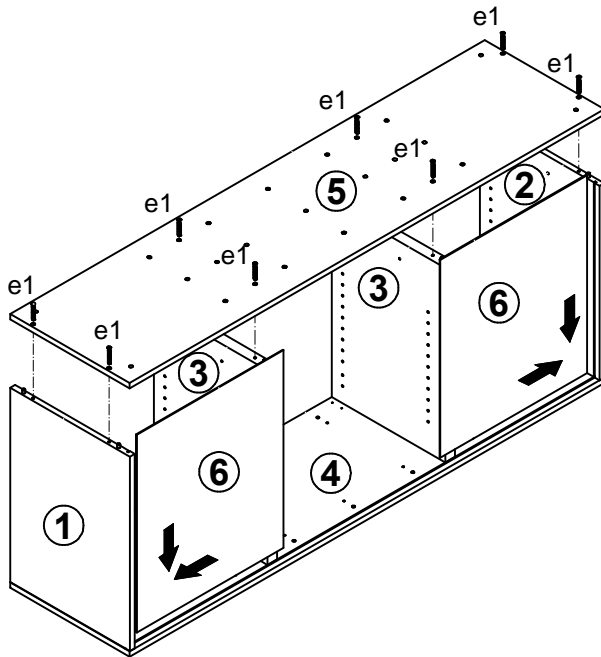
# 3



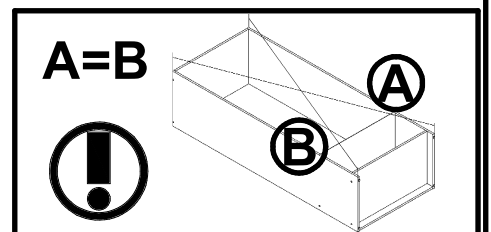
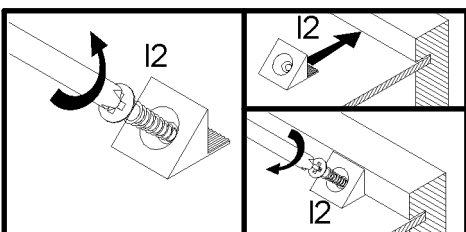
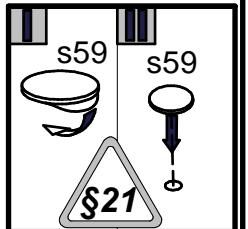
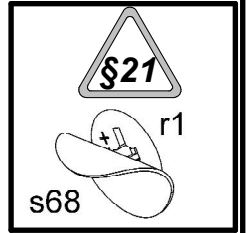
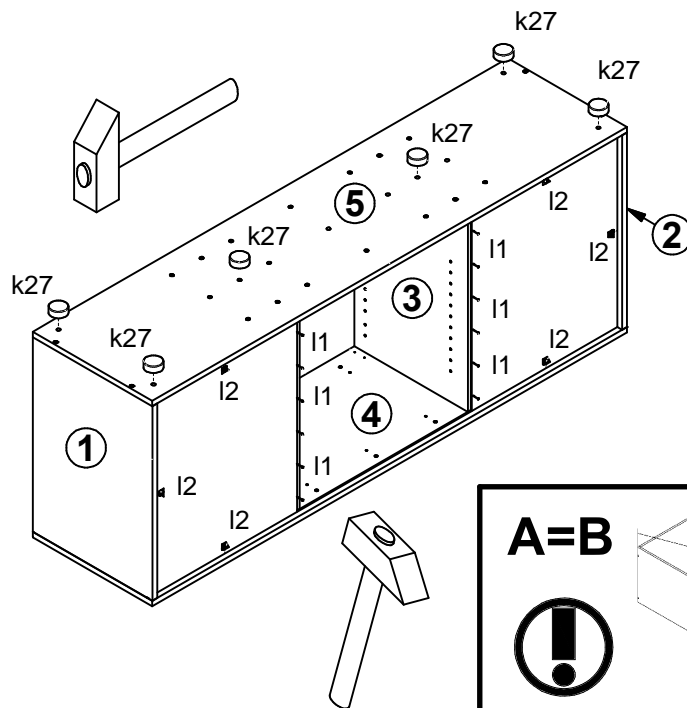
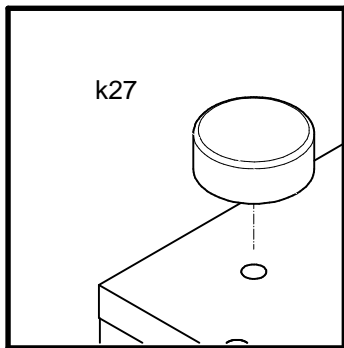
# 1C



# 2



# 3



**A**

# MODAI

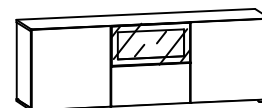
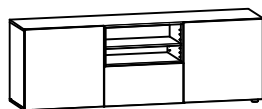
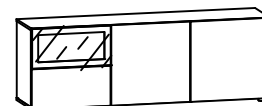
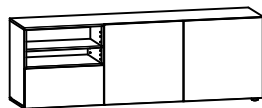
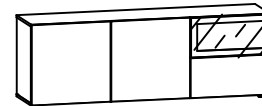
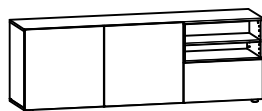
S371-RTV2D1S/6/18

S371-RTV2D1W/6/18

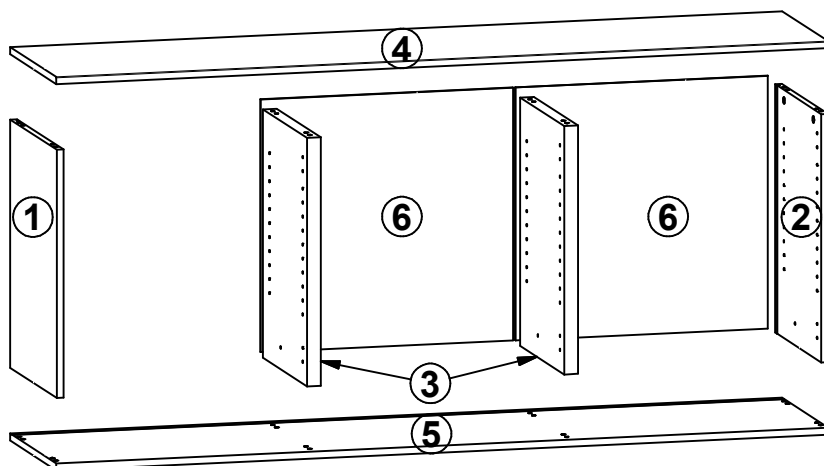
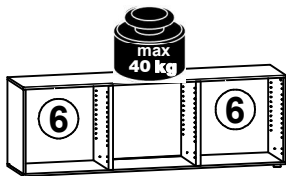
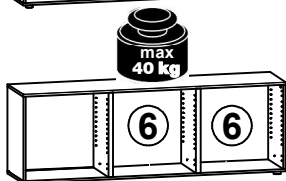
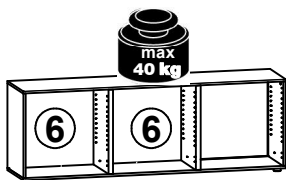
A	B	C	D
1	S371-1007	568	403 1/6
2	S371-1008	568	403 1/6
3	S371-1009	568	383 1/6
4	S371-2009	1798	403 2/6
5	S371-2010	1798	403 2/6



A	B	C	D
6	S371-9016	578	588 4/6 ; 5/6



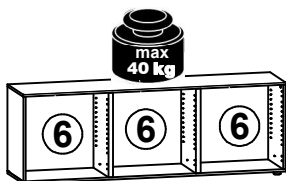
**A**



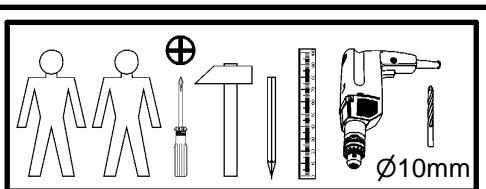
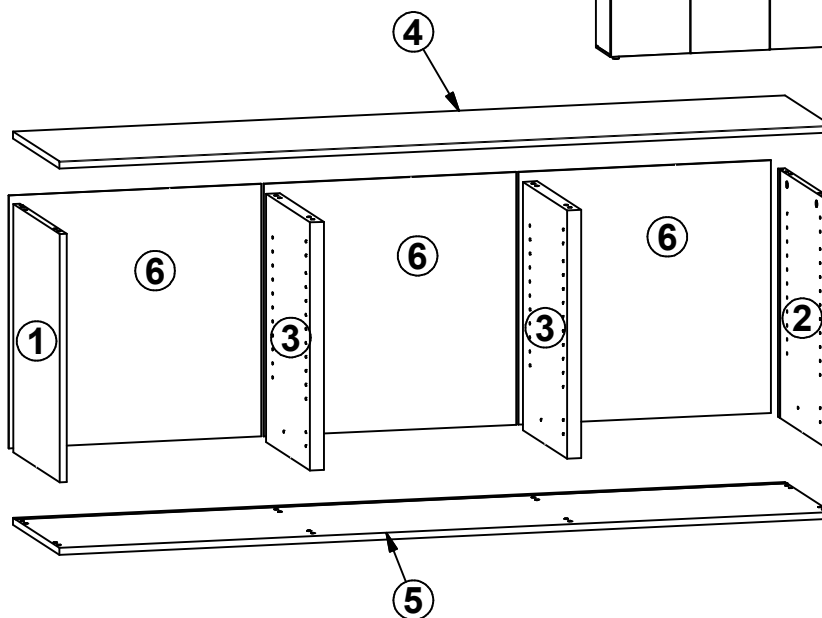
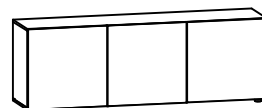
A	B	C	D
1	S371-1007	568	403 1/5
2	S371-1008	568	403 1/5
3	S371-1009	568	383 1/5
4	S371-2009	1798	403 2/5
5	S371-2010	1798	403 2/5

A	B	C	D
6	S371-9016	578	588 3/5 ; 4/5 ; 5/5

**B**



S371-RTV3D/6/18



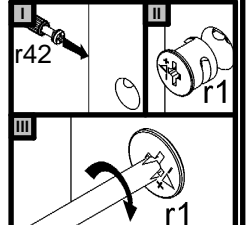
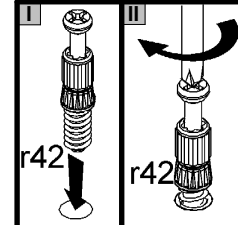
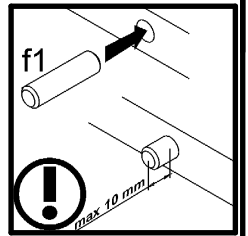
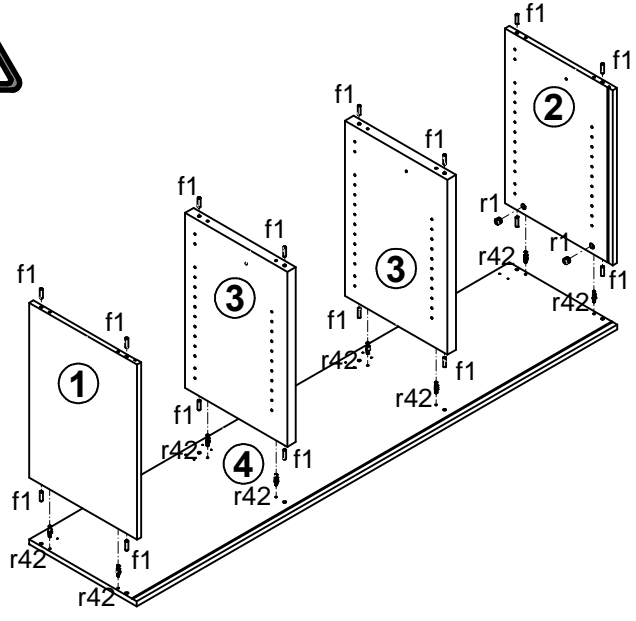
**A**

8x Ø7x50 mm e1	16x Ø8x30 mm f1	6x k27
8x Ø15x12 mm #16 r1	8x 20/11 r42	25x l1
10x l2	8x Ø20mm s68	1x 4 mm z1

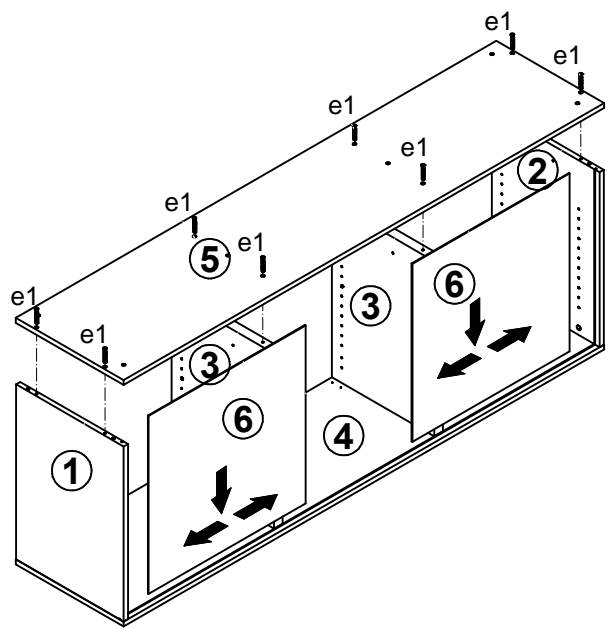
**B**

8x Ø7x50 mm e1	16x Ø8x30 mm f1	6x k27	25x l1
8x Ø15x12 mm #16 r1	8x 20/11 r42	15x l2	2x Ø3.5x16 mm p38
8x s68	1x Ø10x50 mm f35	1x 88x21x151.5 n14/2	1x Ø5x60 mm p17
			1x 4 mm z1

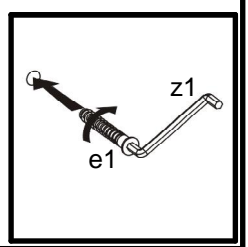
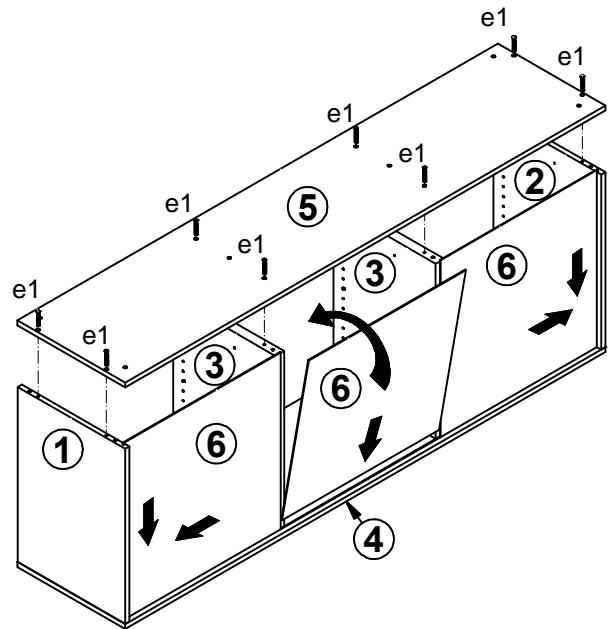
1  



2A



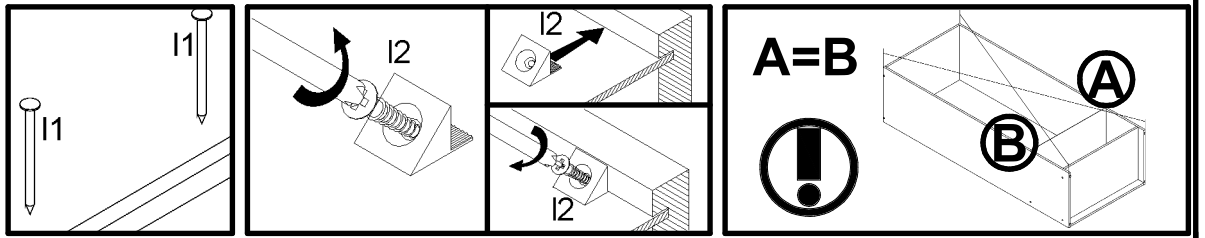
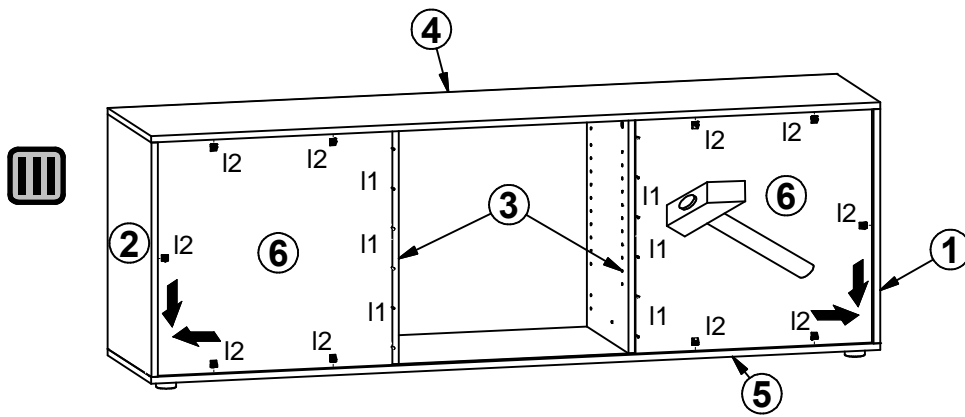
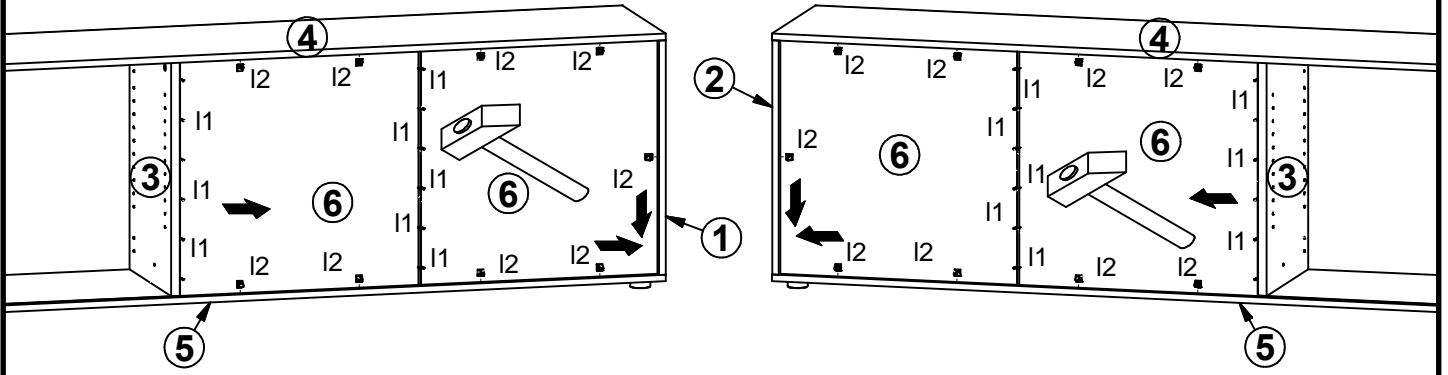
B



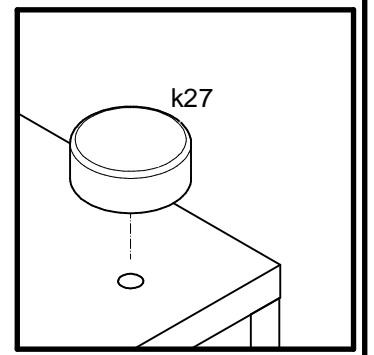
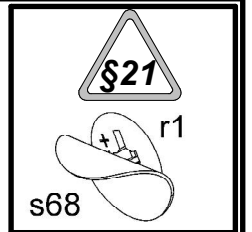
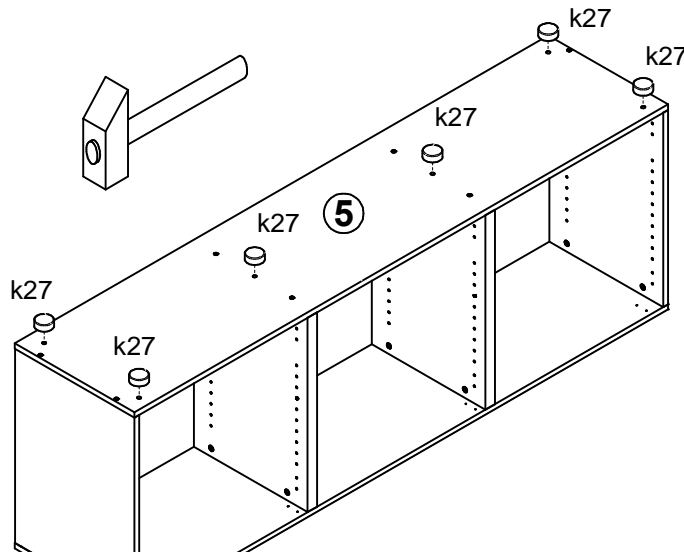
# 3A

I

II

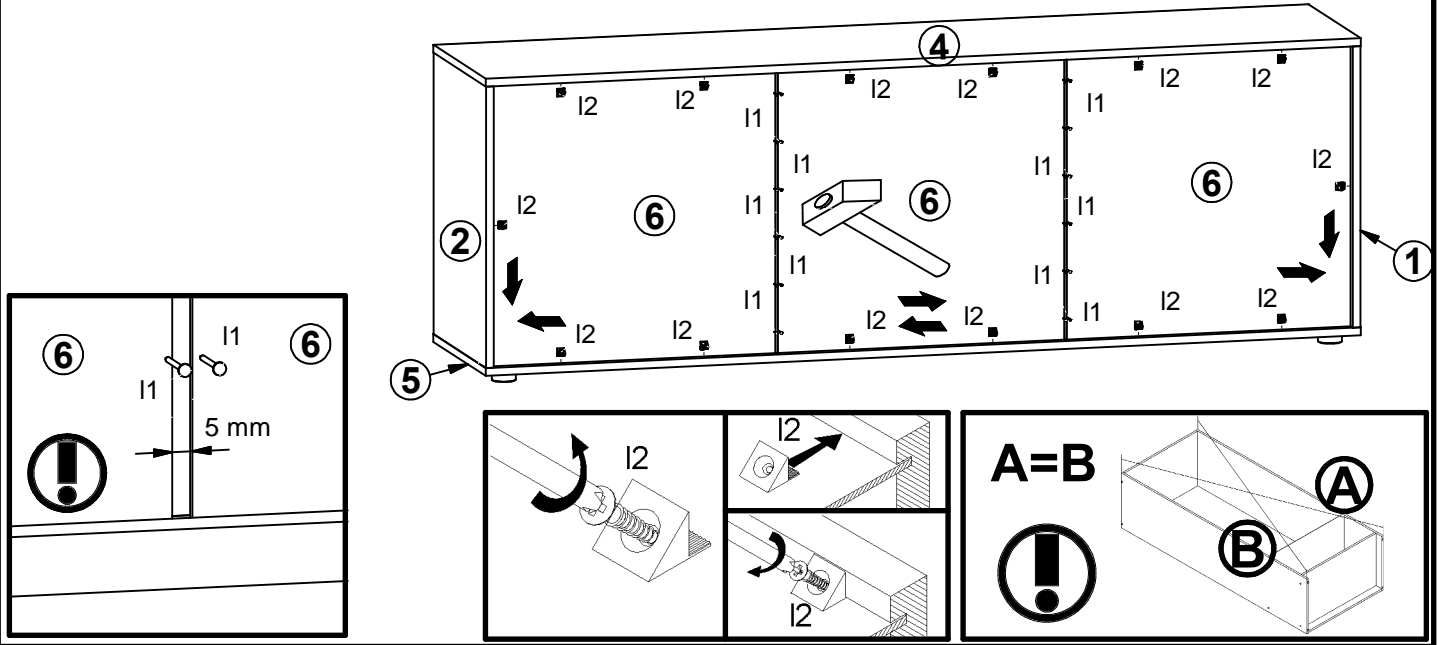


# 4A





# 3B



# 4B

