

A

MODAI

A	B	C	D
1	S371-1001	368	403
2	S371-1002	368	403
3	S371-2007	800	403
4	S371-2008	800	403

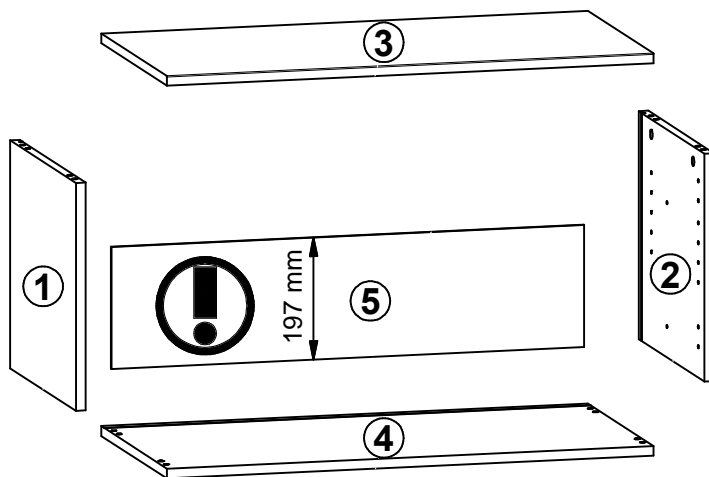
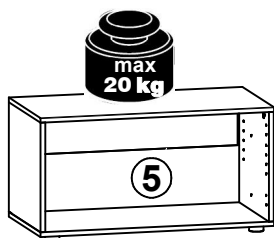


S371-RTV1S/4/8



A	B	C	D
5	S371-9011	197	777

A



A	B	C	D
1	S371-1001	368	403
2	S371-1002	368	403
3	S371-2007	800	403
4	S371-2008	800	403

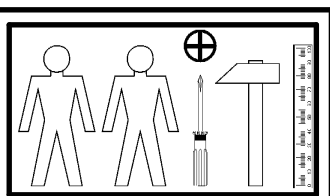
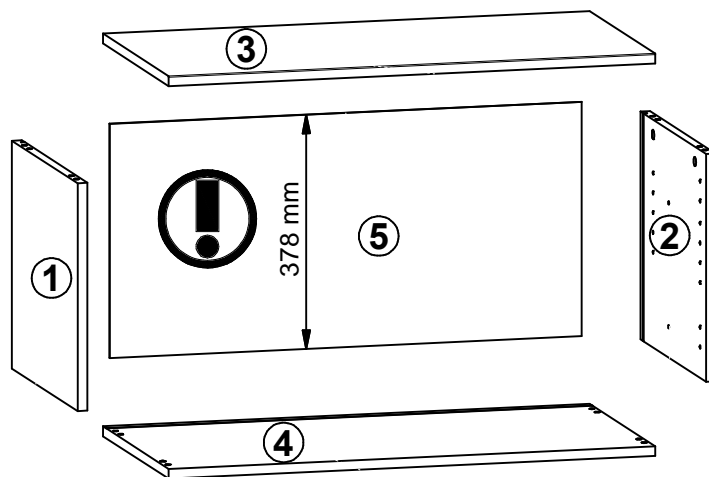
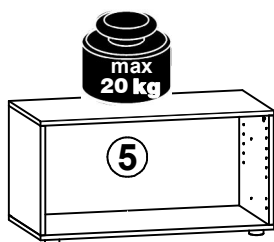


S371-RTV2S/4/8



A	B	C	D
5	S371-9012	378	776

B



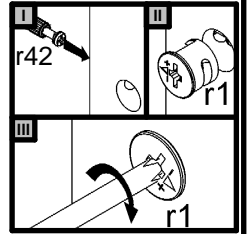
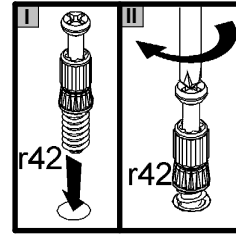
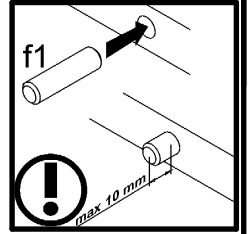
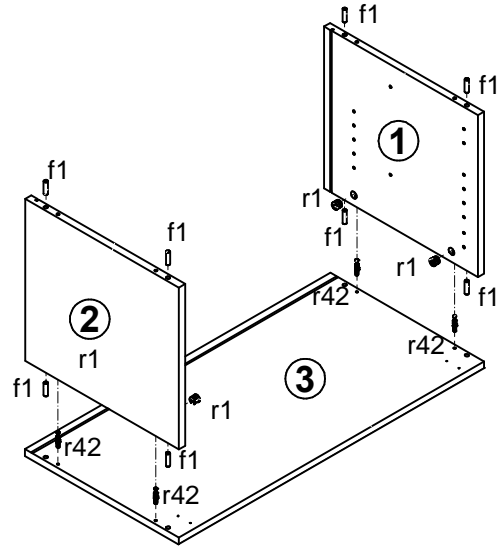
4x Ø7x50 mm e1	8x Ø8x30 mm f1	4x k27	4x Ø15x12 mm #16 r1	4x 20x11 r42	1x 4 mm z1
4x Ø 20mm s68					



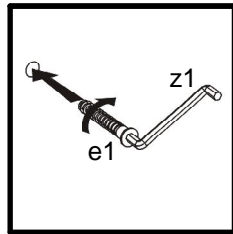
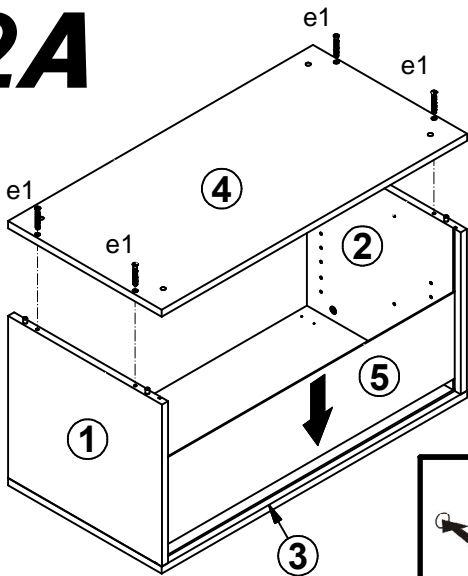
B



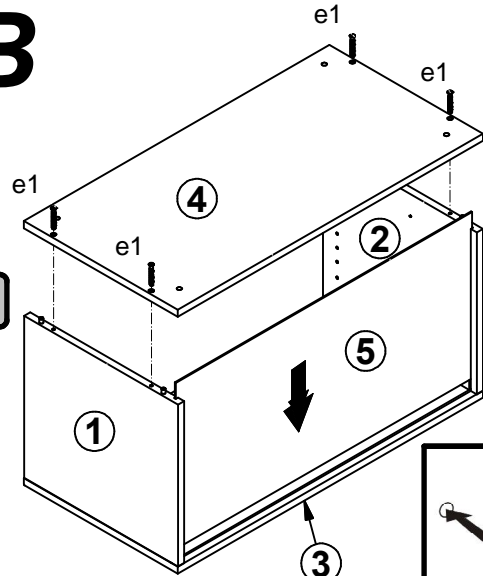
1  



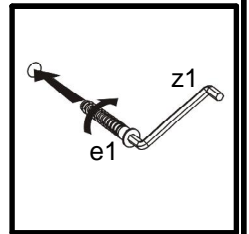
2A



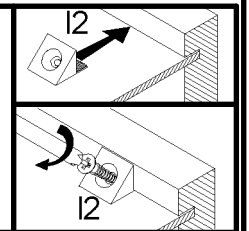
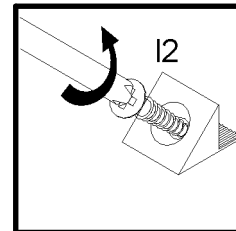
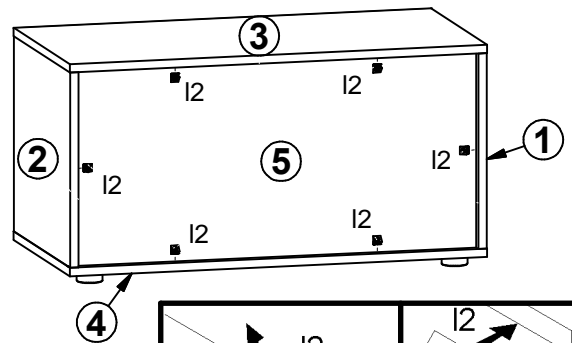
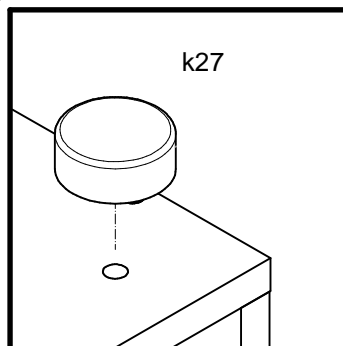
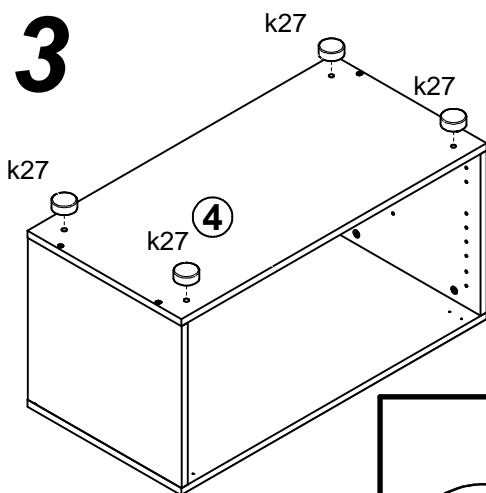
B



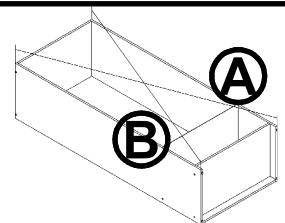
II



3



A=B





s68

r1