

A**MODAI**
S371-RTV2D1S/6/18
S371-RTV2D1W/6/18

| A | B | C | D |
|---|-----------|-----|---------------|
| 1 | S371-0020 | 596 | 596 4/6 ; 5/6 |
| 2 | S371-3002 | 566 | 370 4/6 ; 5/6 |
| 3 | S371-9016 | 578 | 588 4/6 ; 5/6 |


S371-RTV2D/6/12

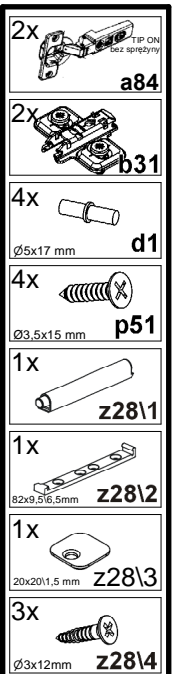
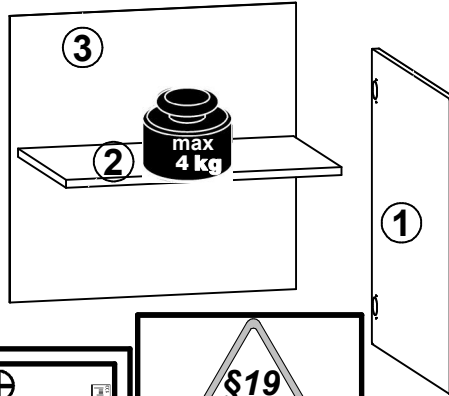
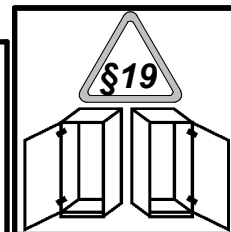
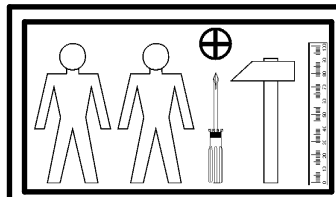
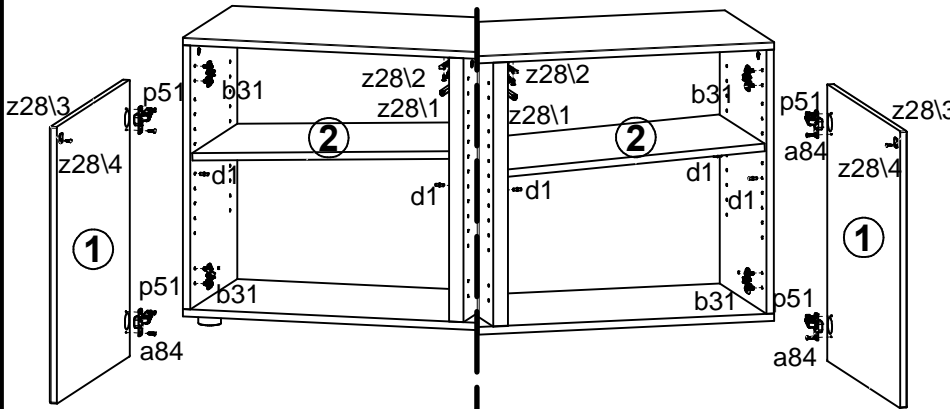
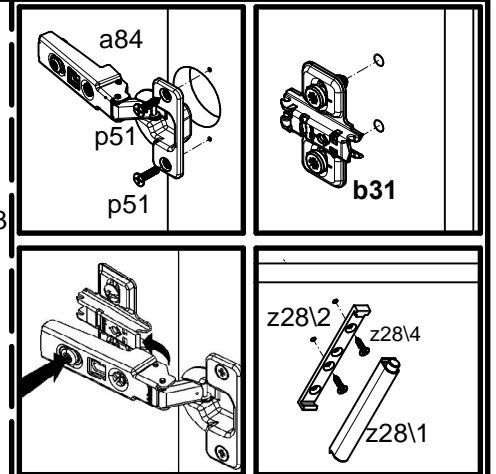
| A | B | C | D |
|---|-----------|-----|---------------|
| 1 | S371-0020 | 596 | 596 3/4 ; 4/4 |
| 2 | S371-3002 | 566 | 370 3/4 ; 4/4 |
| 3 | S371-9016 | 578 | 588 3/4 ; 4/4 |

S371-RTV3D/6/18

| A | B | C | D |
|---|-----------|-----|----------------------|
| 1 | S371-0020 | 596 | 596 3/5 ; 4/5 5/5 |
| 2 | S371-3002 | 566 | 370 3/5 ; 4/5 5/5 |
| 3 | S371-9016 | 578 | 588 3/5 ; 4/5 5/5 |


S371-RTV1D1S/6/12
S371-RTV1D1W/6/12

| A | B | C | D |
|---|-----------|-----|---------|
| 1 | S371-0020 | 596 | 596 4/5 |
| 2 | S371-3002 | 566 | 370 4/5 |
| 3 | S371-9016 | 578 | 588 4/5 |


A §2 §6
**B****C**