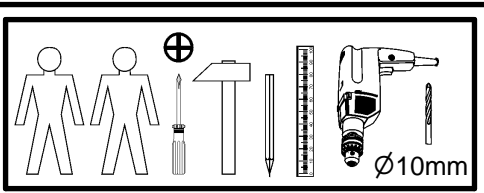
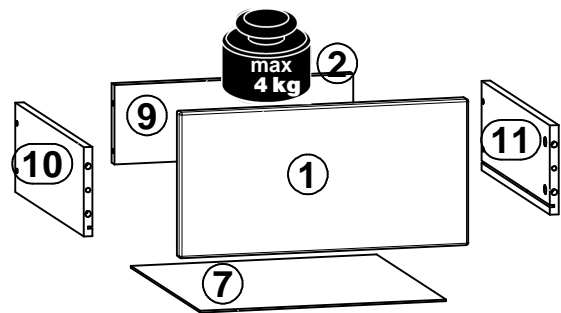
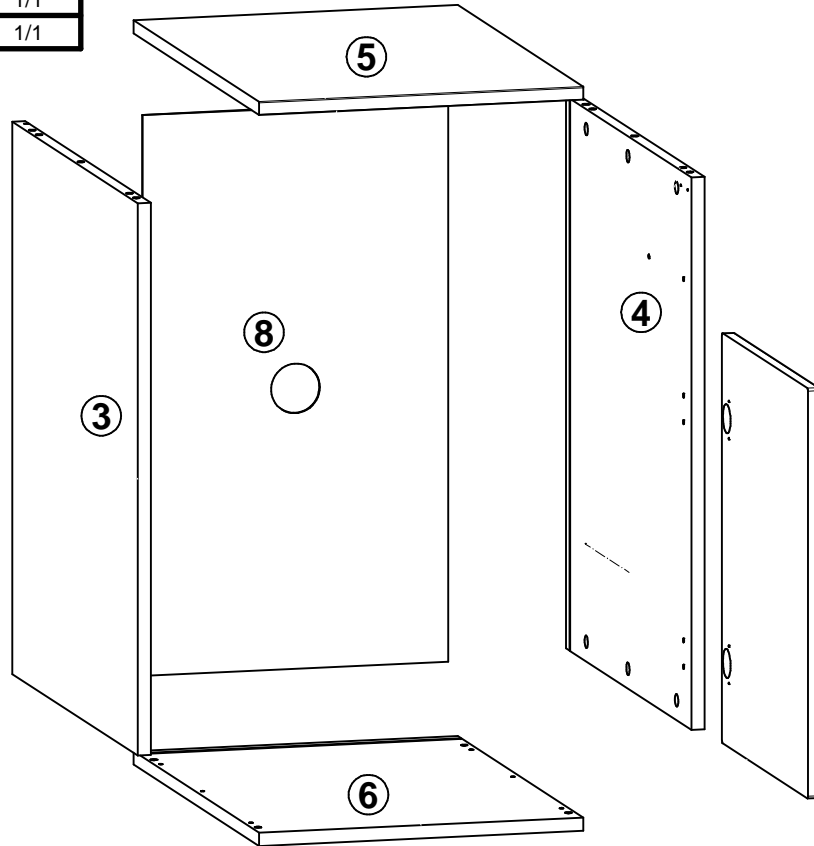
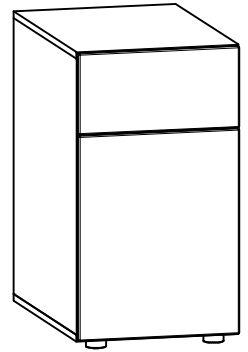
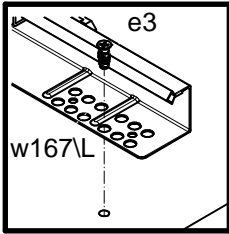
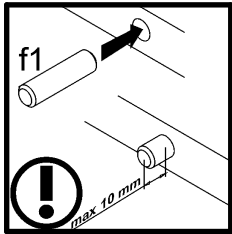
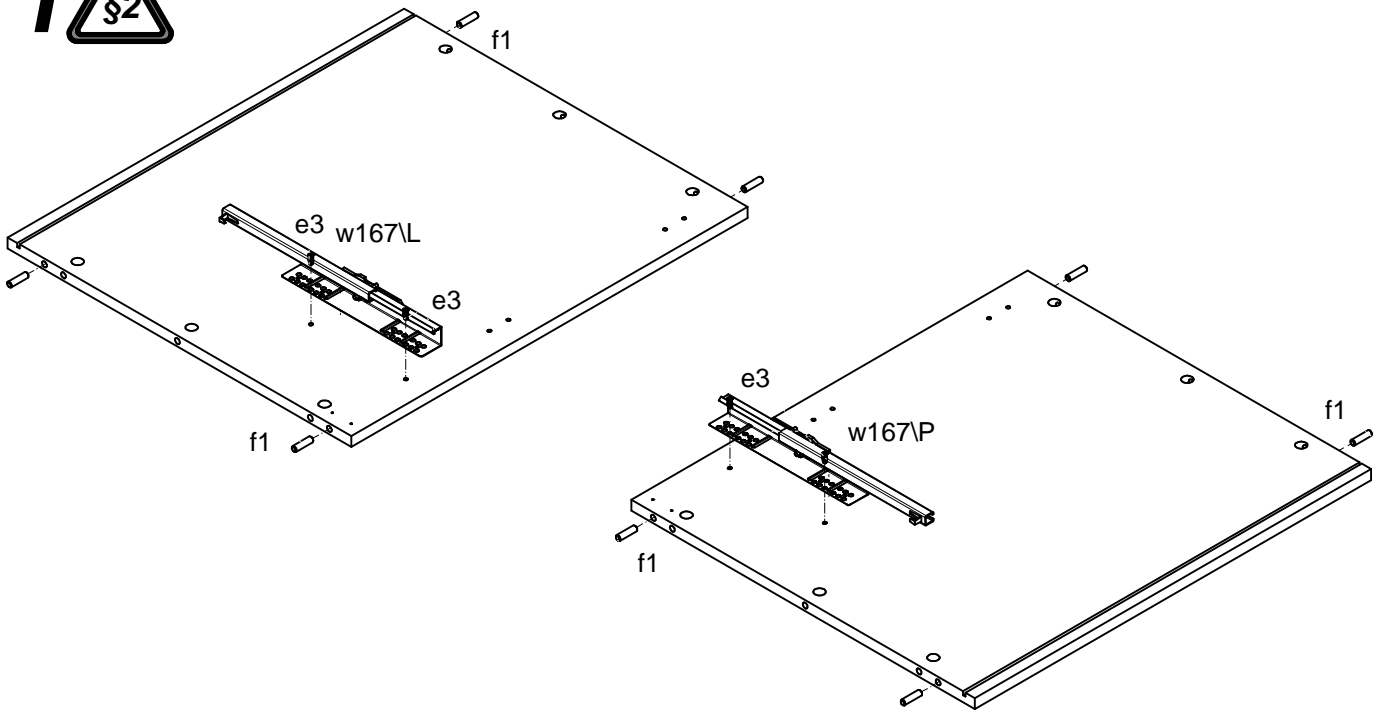


A	B	C	D
1	S373-0003	396	196
2	S373-0004	496	396
3	S373-1003	668	579
4	S373-1004	668	579
5	S373-2003	400	579
6	S373-2004	400	579
7	S373-9002	337	355
8	S373-9003	678	377
9	ZQ5-509	327	107
10	ZQ5-501	350	120
11	ZQ5-502	350	120

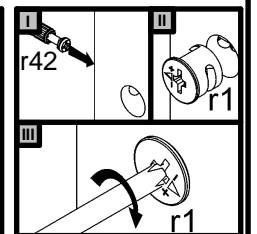
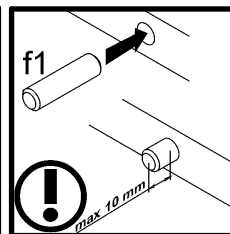
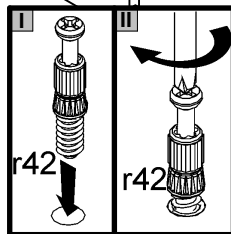
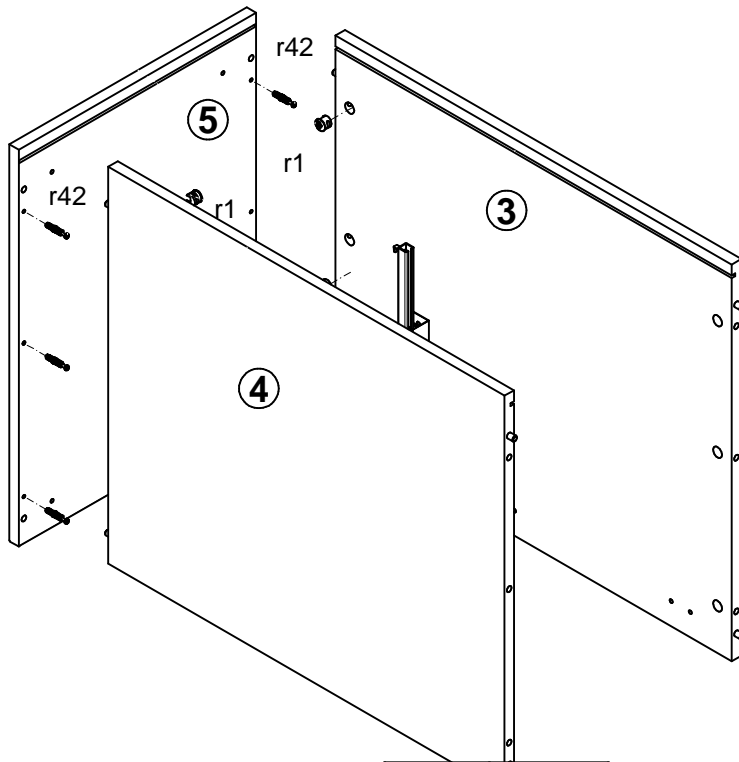


2x a84	2x b31	16x Ø6x13 mm e3	8x Ø8x30 mm f1	1x f23	4x Ø6,5x40 mm f25	1x Ø10x50 mm f35	2x Ø6x30 mm f9	4x k27
8x l2	1x 80x21x15/1,5 n14/2	1x Ø5x60 mm p17	5x Ø3,5x16 mm p38	4x Ø3,5x15 mm p51	10x Ø15x12 mm #16 r1	4x Ø12x10,5 mm #12 r15	14x 20-11 r42	1x 350mm w167/L
1x 350mm w167/P	3x z28/1	3x 82x9,5/6,5mm z28/2	3x 20x20/1,5 mm z28/3	9x Ø3x12mm z28/4	8x Ø 20mm s68			

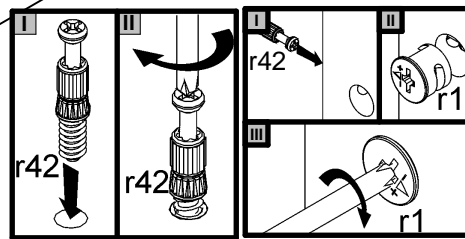
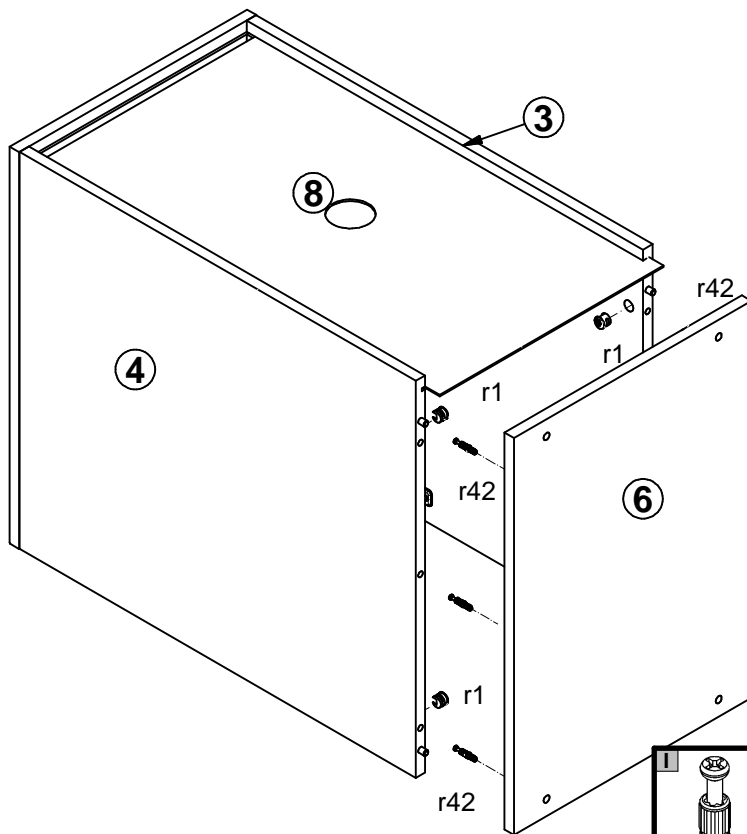
1 



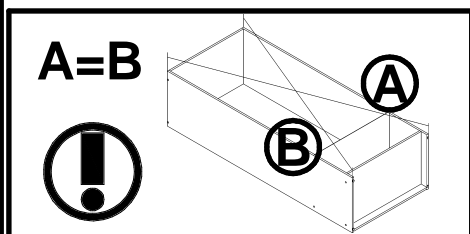
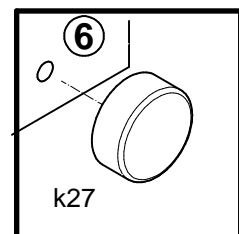
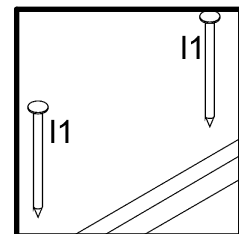
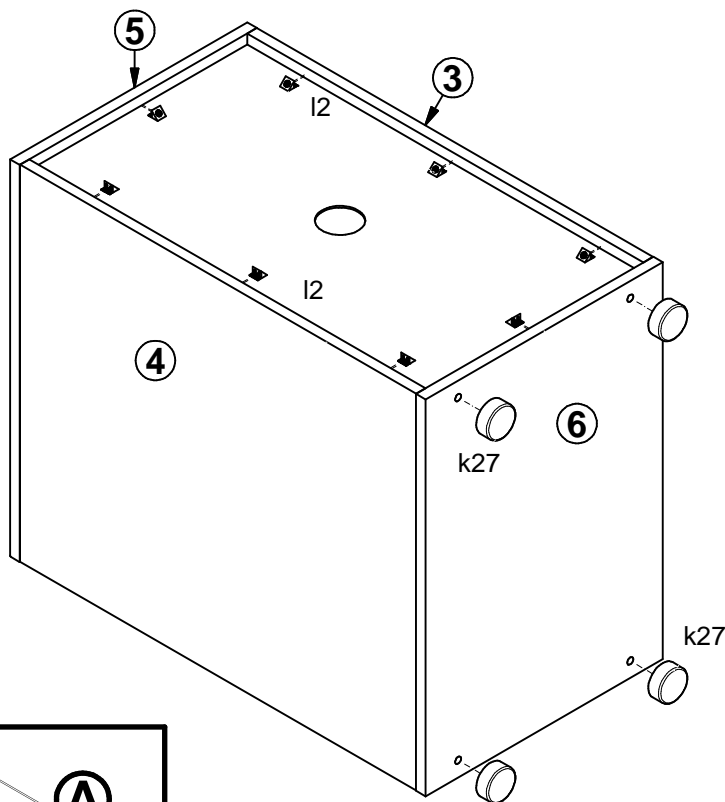
2 



3



4



5

