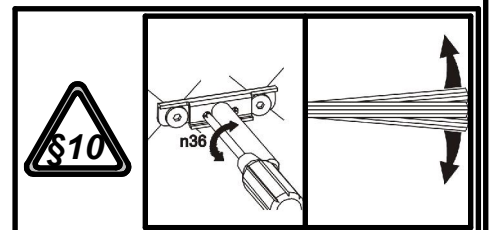
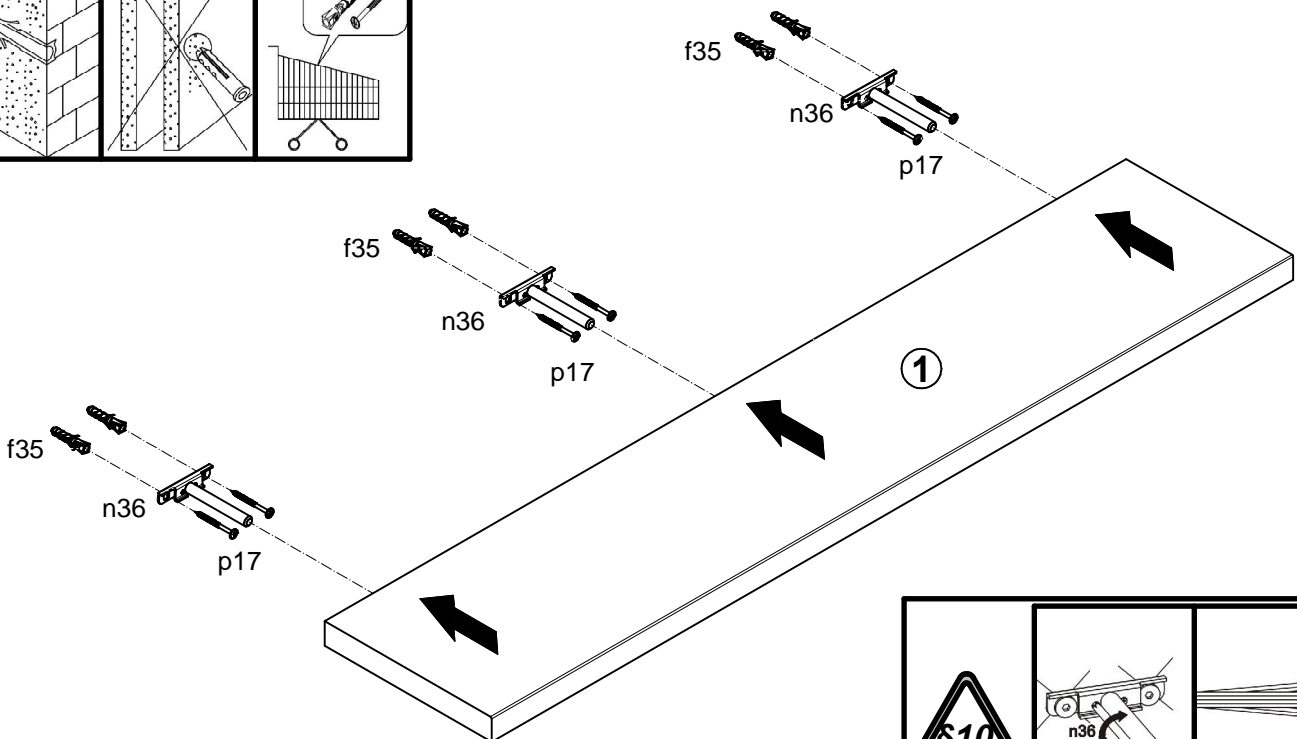
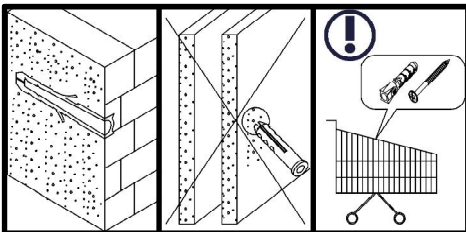
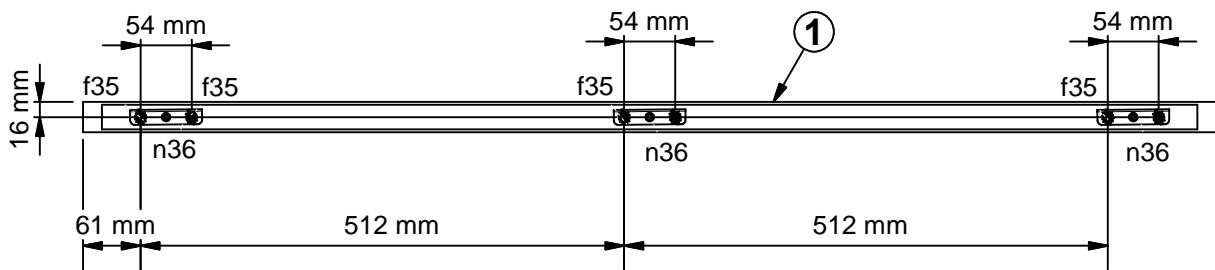
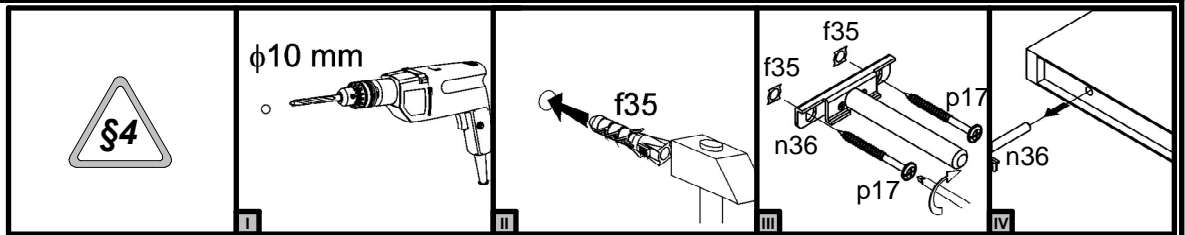
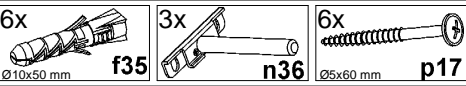
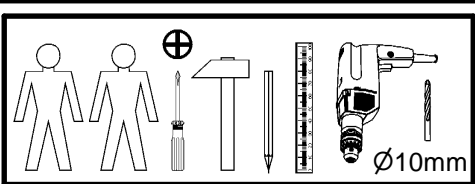
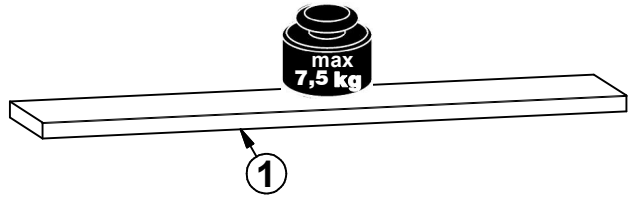


A**MODAI****S371-POL/120**

A	B	C	D
1	S371-3007	1200,	250,
		1/1	

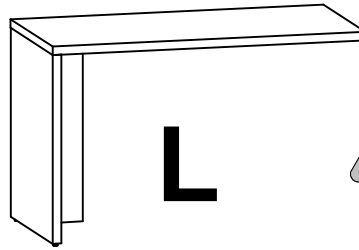


A

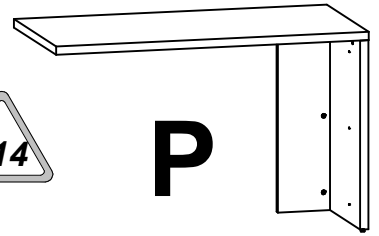
MODAI

S373-BIU/120

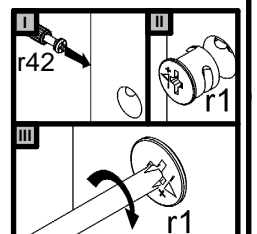
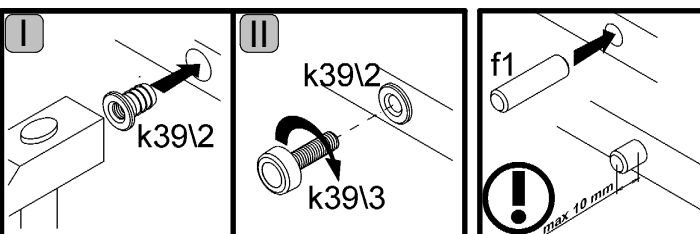
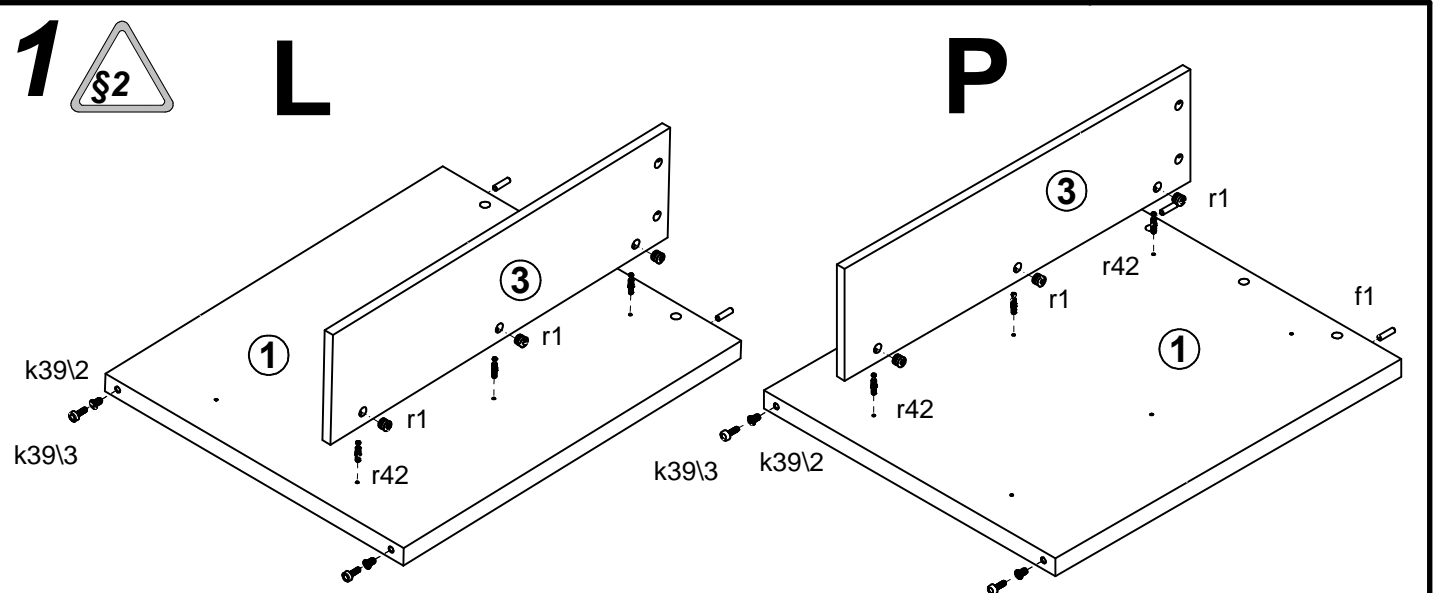
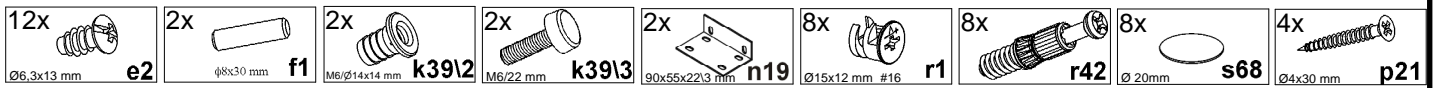
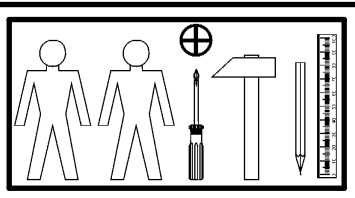
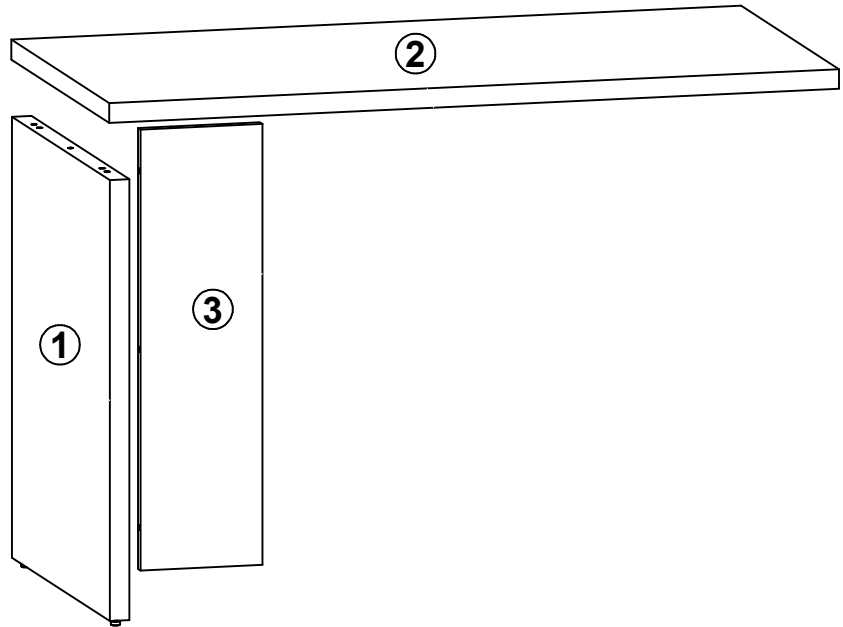
A	B	C	D	
1	S373-1014	712	600	1/1
2	S373-2009	1200	600	1/1
3	S373-4001	712	200	1/1



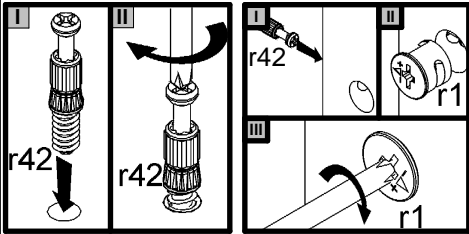
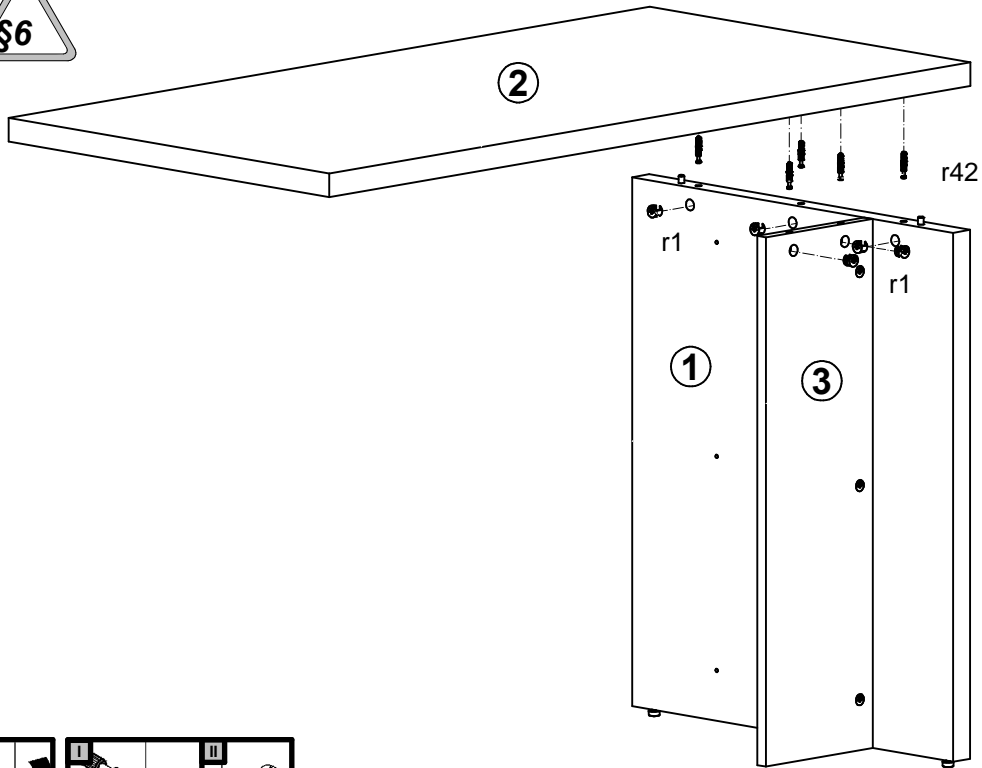
L



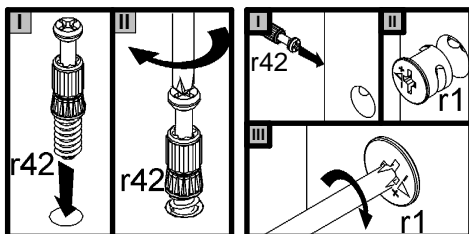
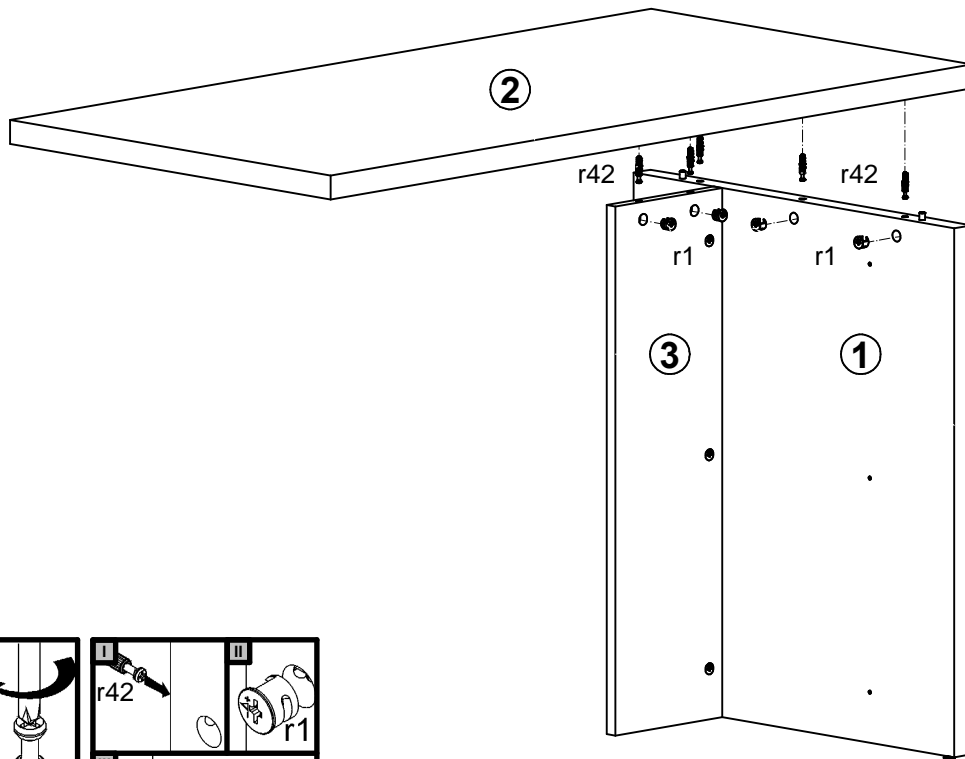
P



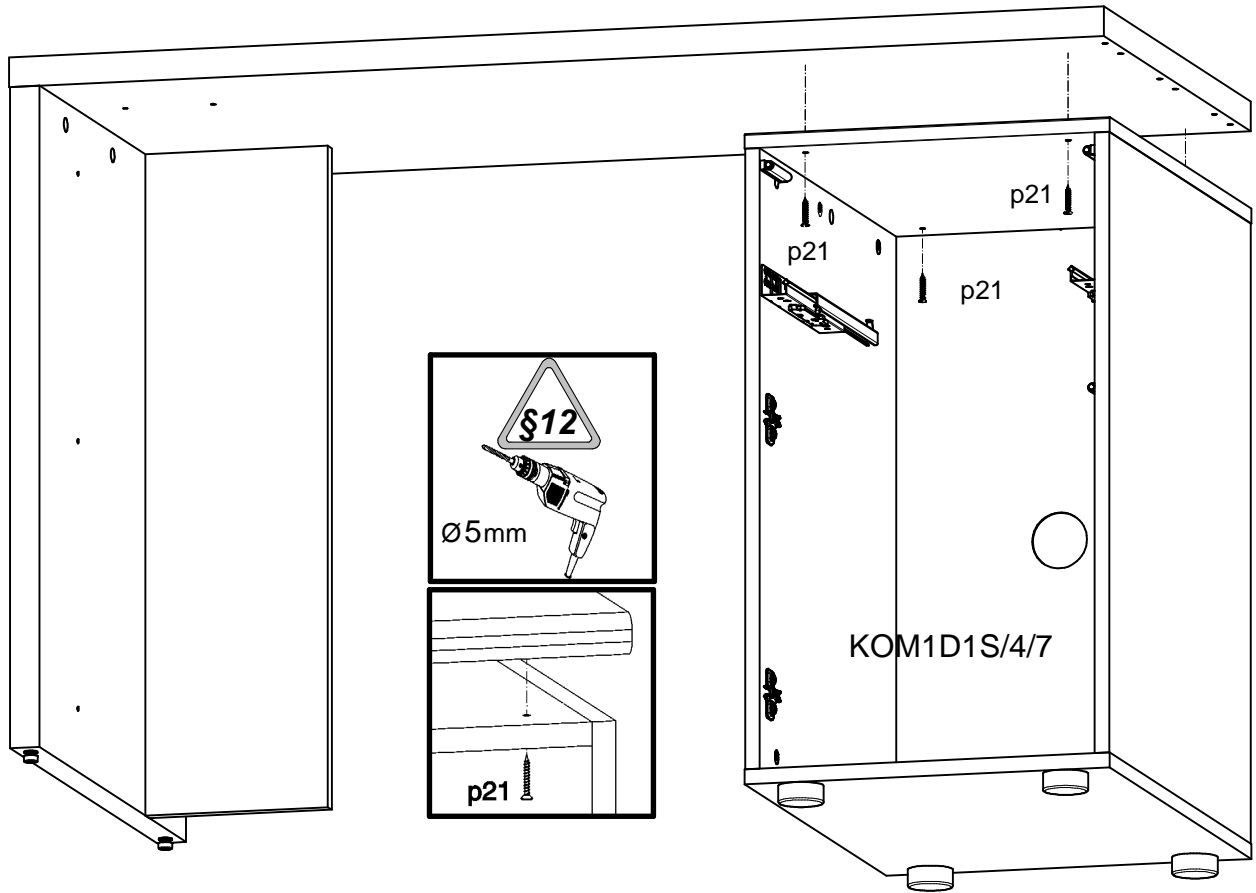
2L 



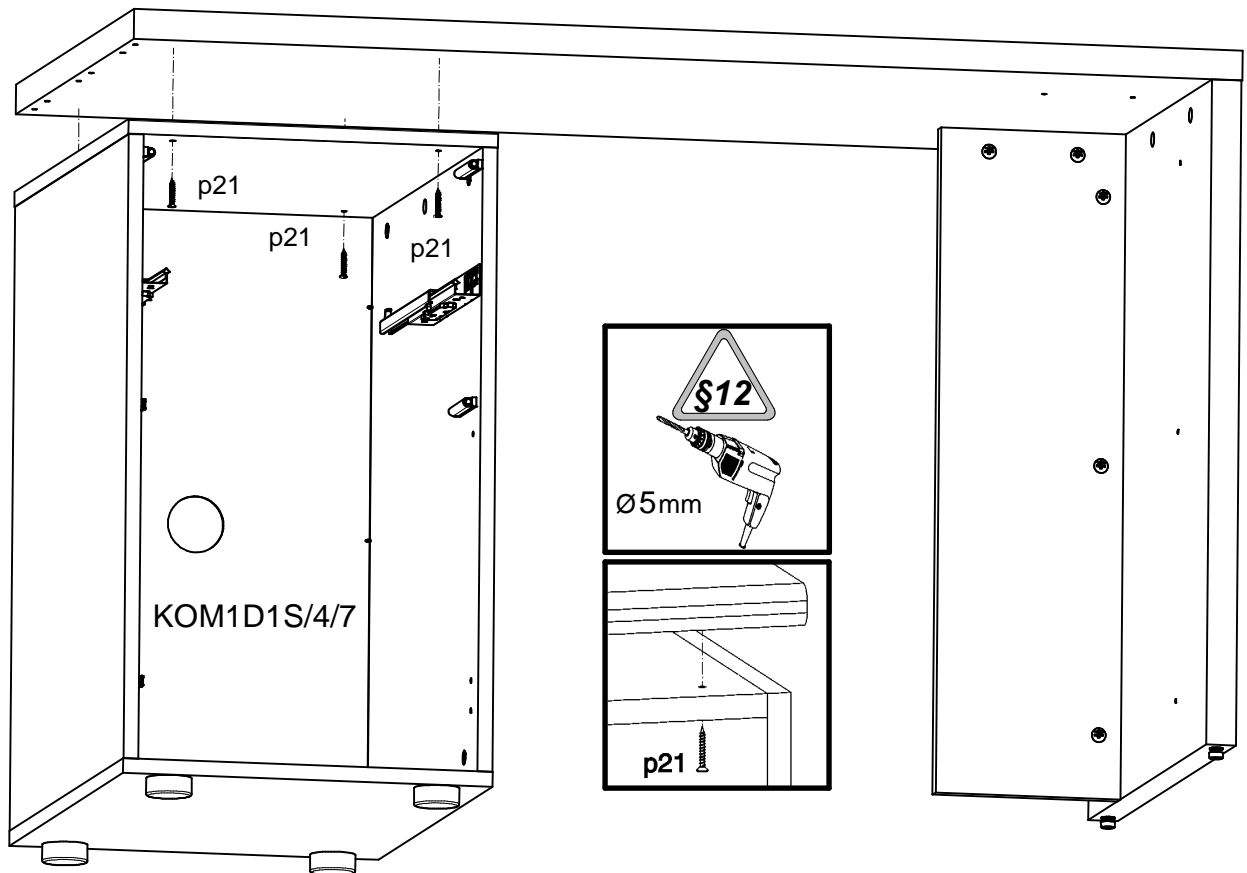
3P 



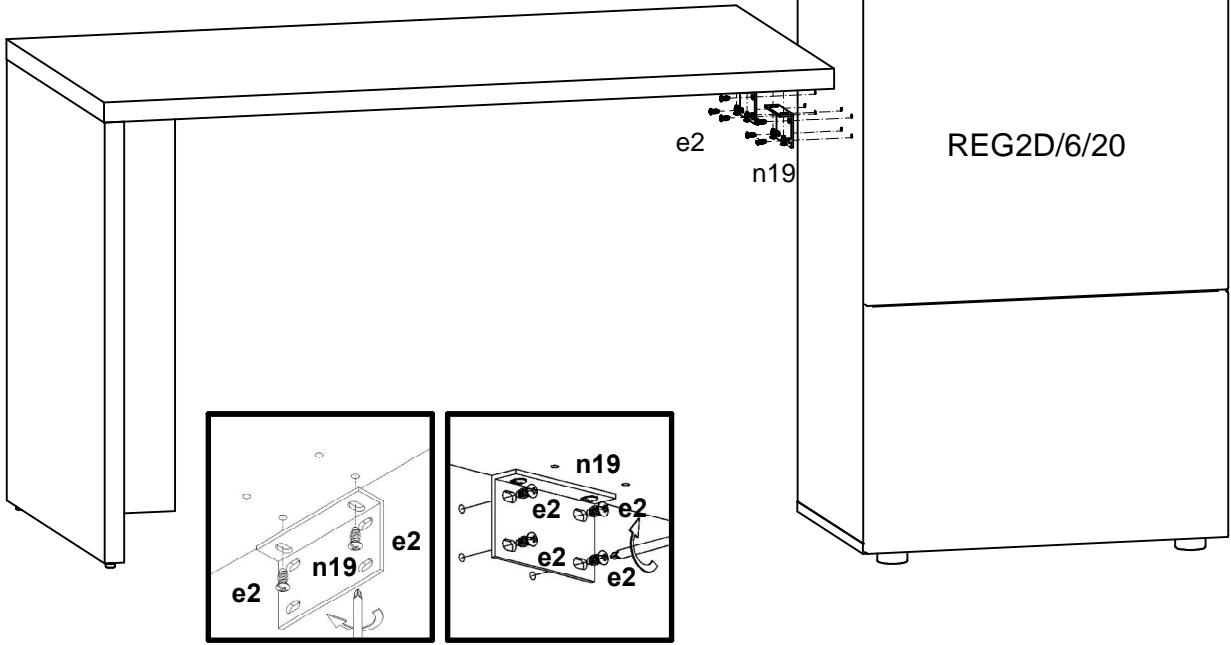
L



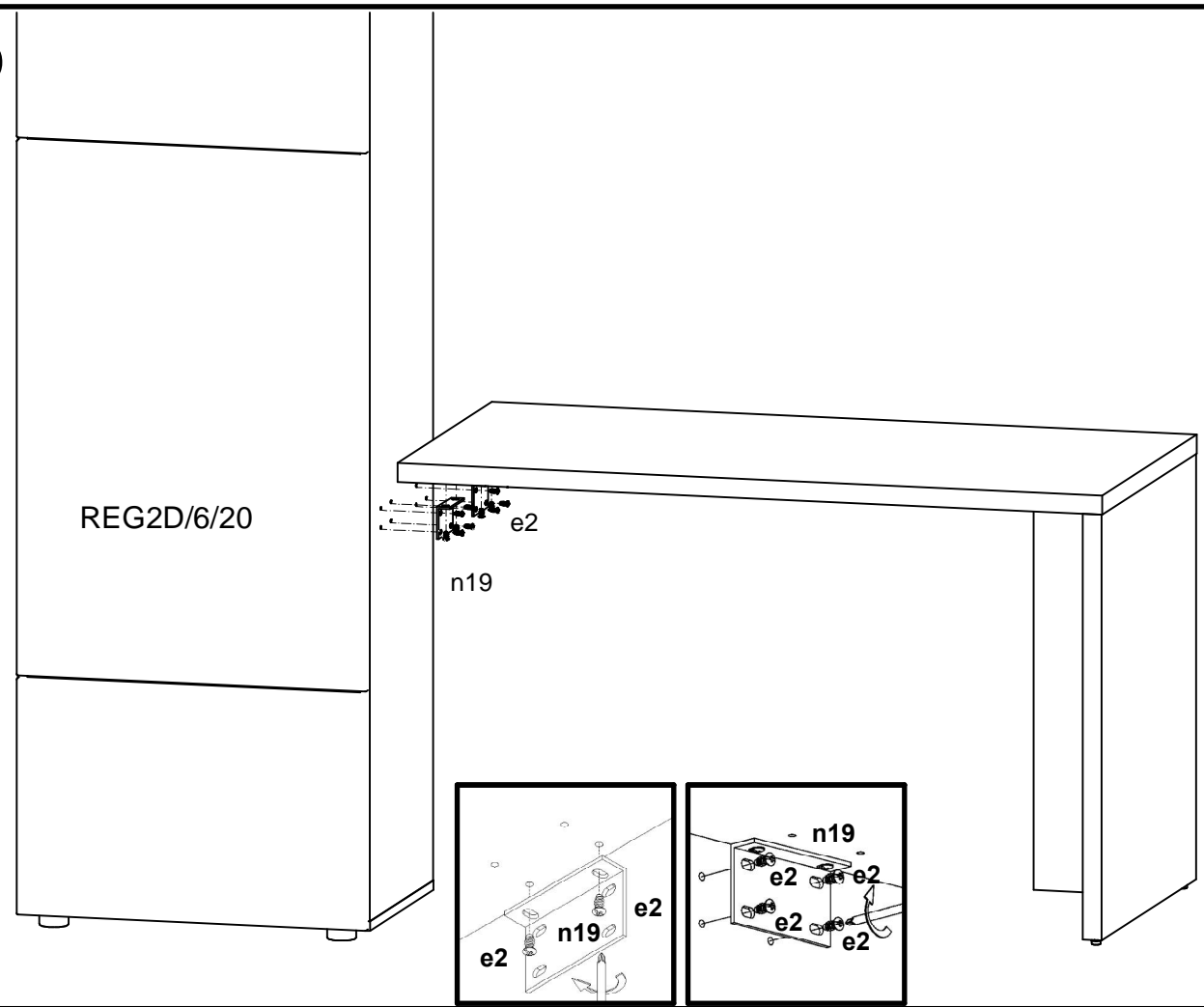
P



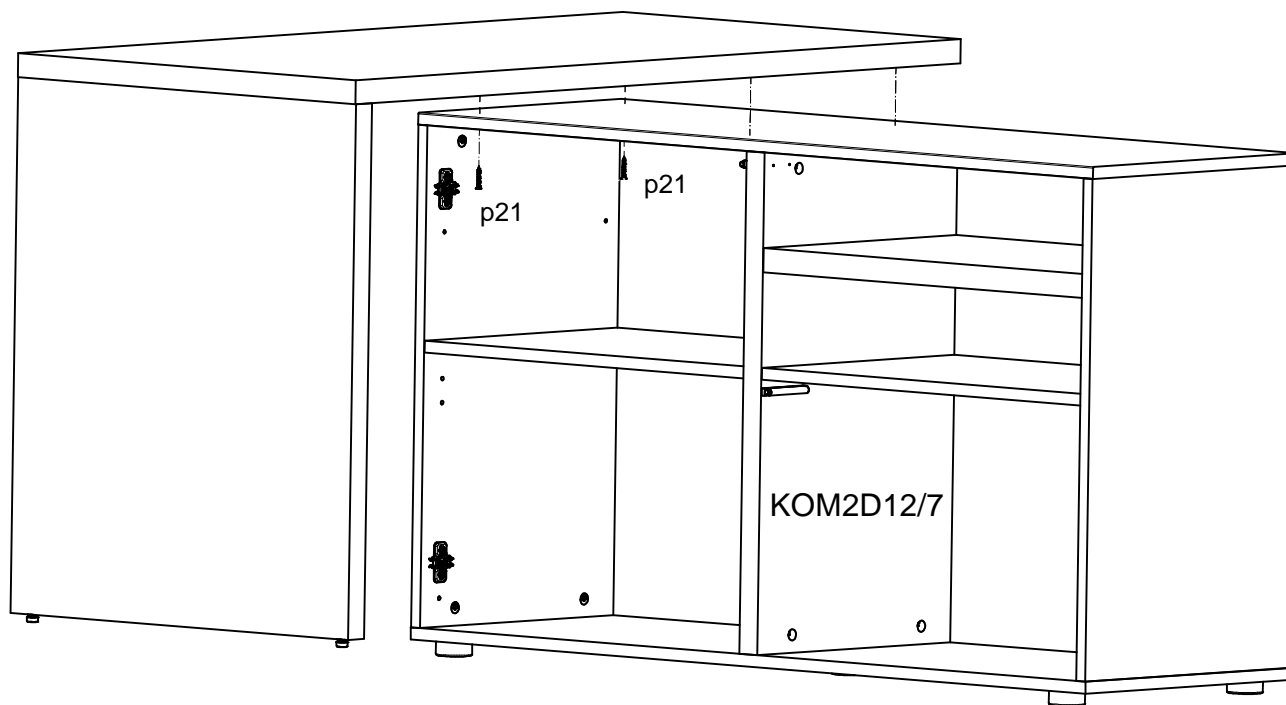
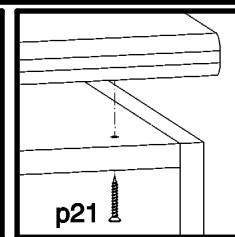
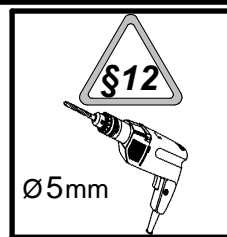
L



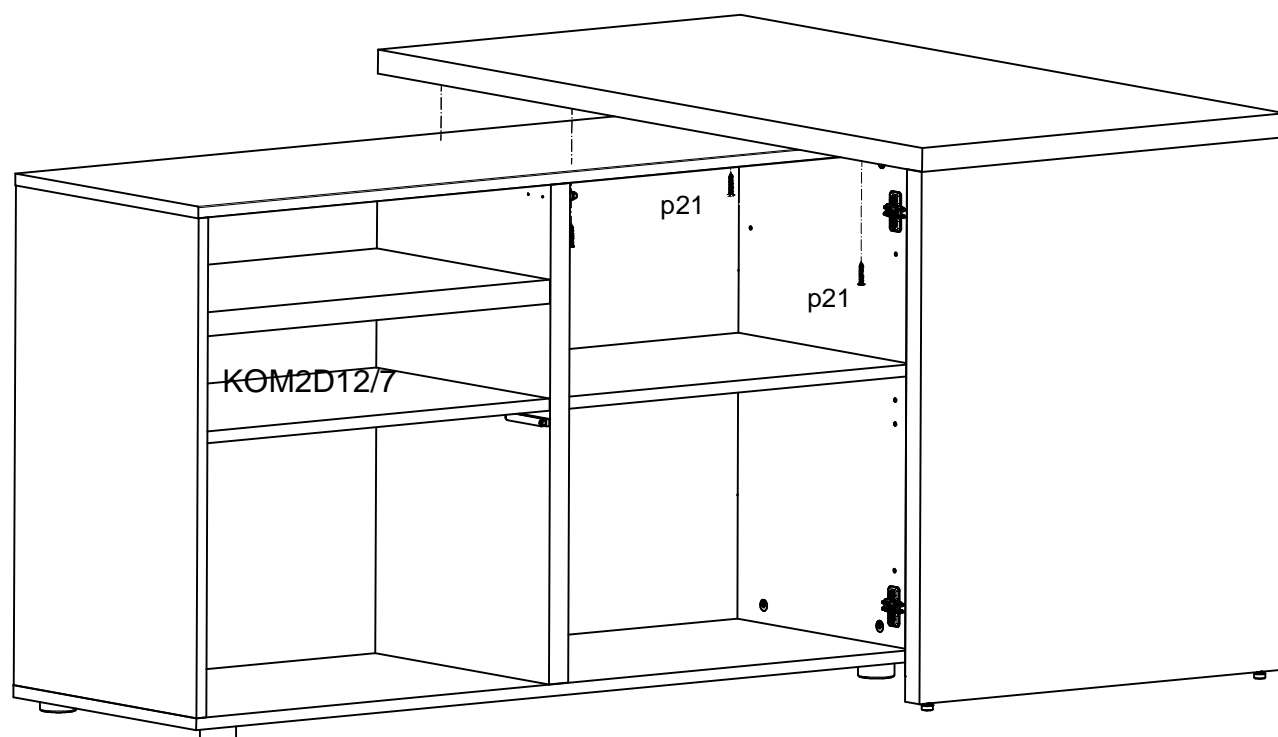
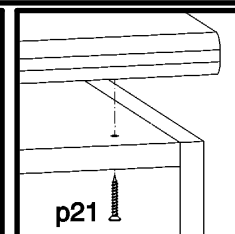
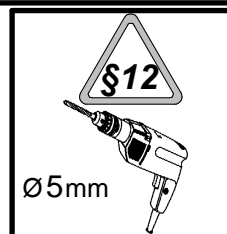
P



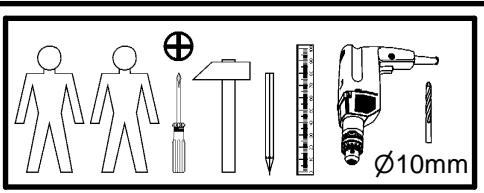
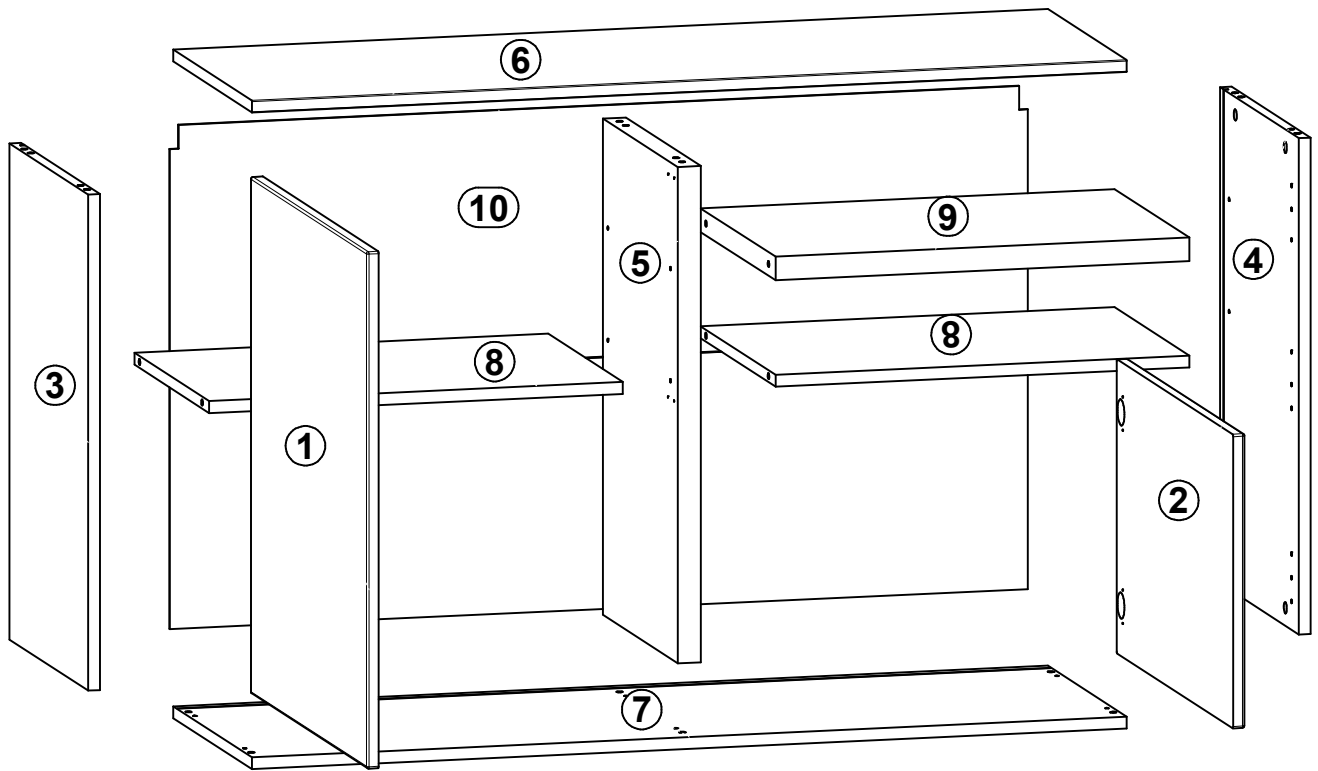
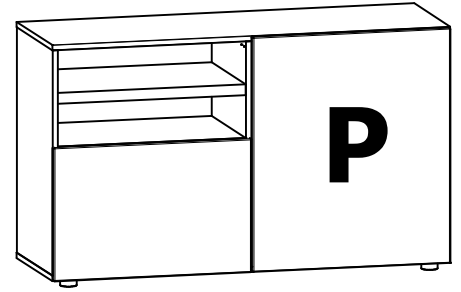
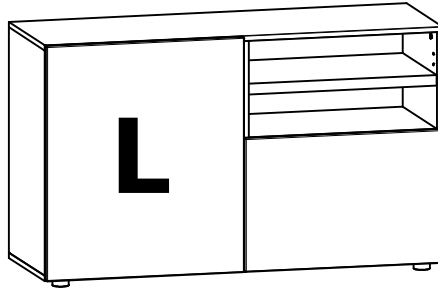
L



P

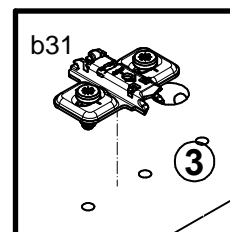
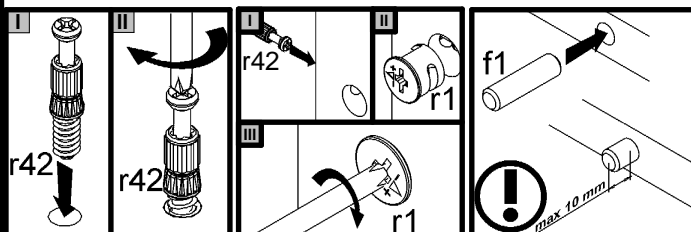
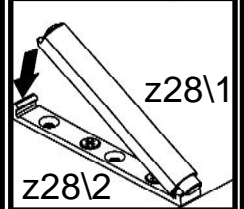
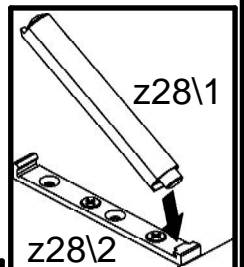
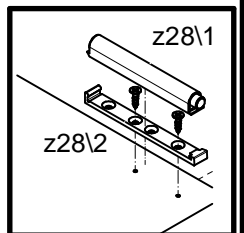
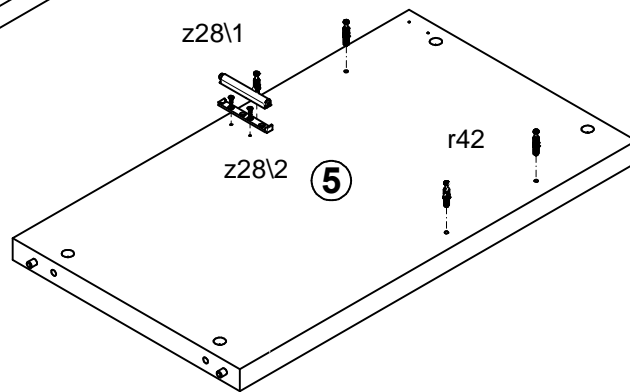
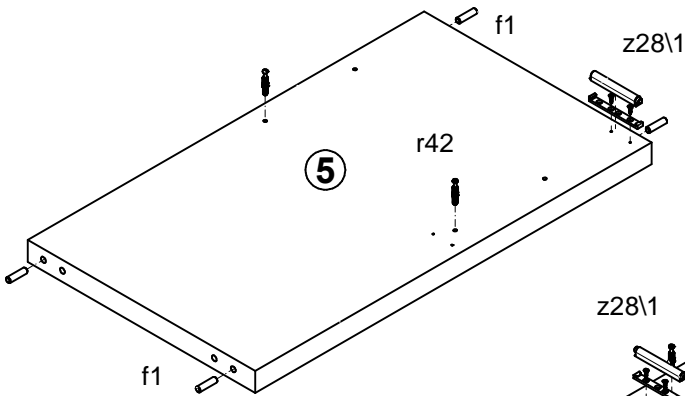
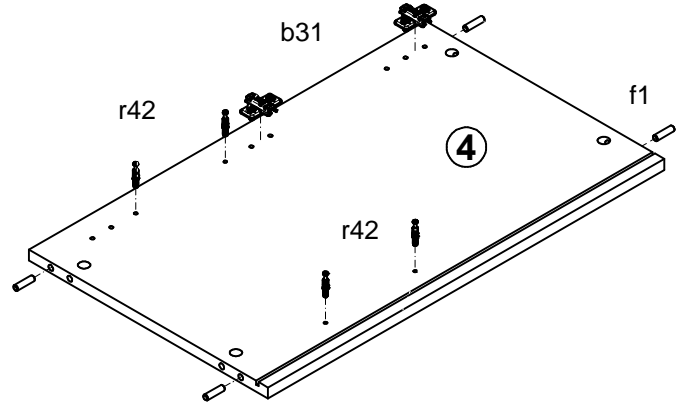
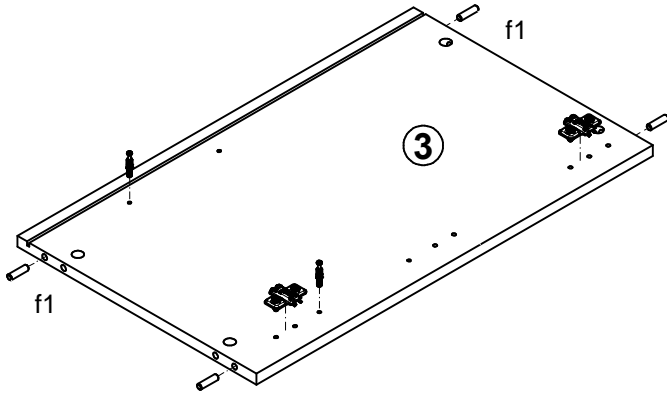
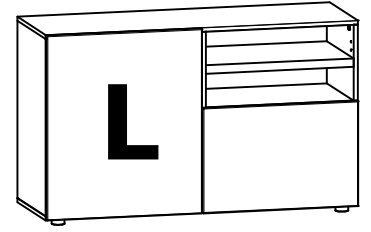


A	B	C	D	
1	S373-0005	696	596	3/3
2	S373-0006	396	596	3/3
3	S373-1005	668	403	1/3
4	S373-1006	668	403	1/3
5	S373-1007	668	383	1/3
6	S373-2005	1199	403	2/3
7	S373-2006	1199	403	2/3
8	S373-3001	567	382	2/3
9	S373-3002	567	382	2/3
10	S373-9302	1176	678	2/3

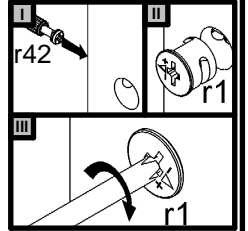
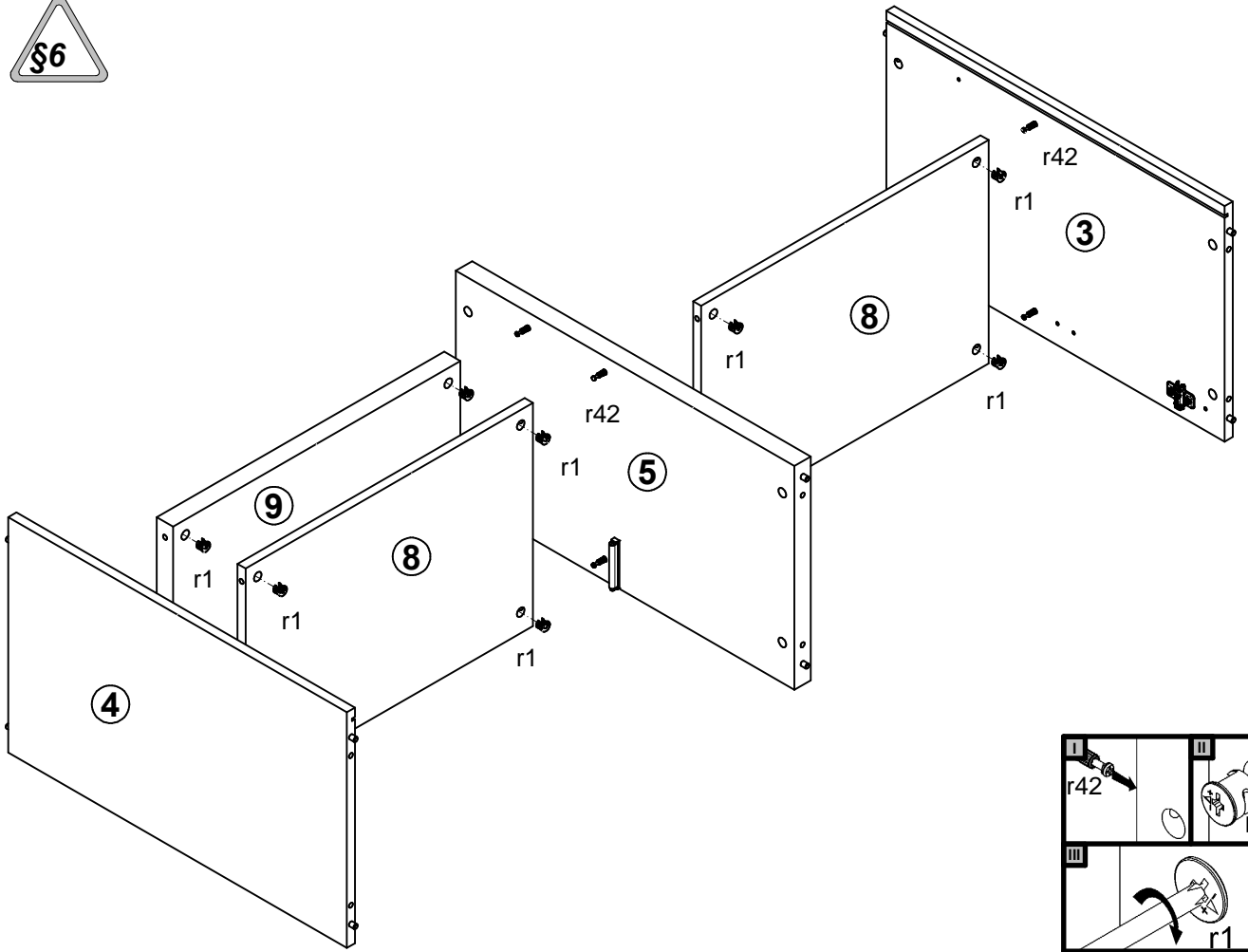


4x a84	4x b31	12x Ø8x30 mm f1	1x Ø10x50 mm f35	5x k27	12x l2	1x 86x21x15/1,5 n14/2	1x Ø5x60 mm p17	2x Ø3,5x16 mm p38
8x Ø3,5x15 mm p51	24x Ø15x12 mm #16 r1	24x 20/11 r42	2x z28/1	2x 82x9,5/6,5mm z28/2	2x 20x20/1,5 mm z28/3	6x Ø3x12mm z28/4	10x l1	12x Ø 20mm s68

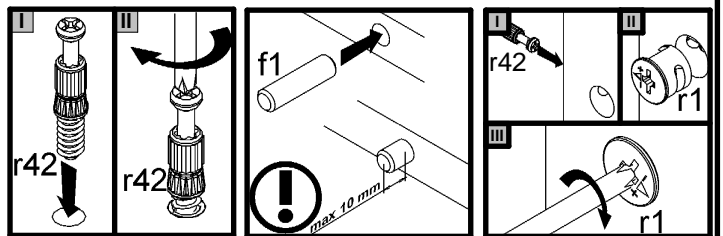
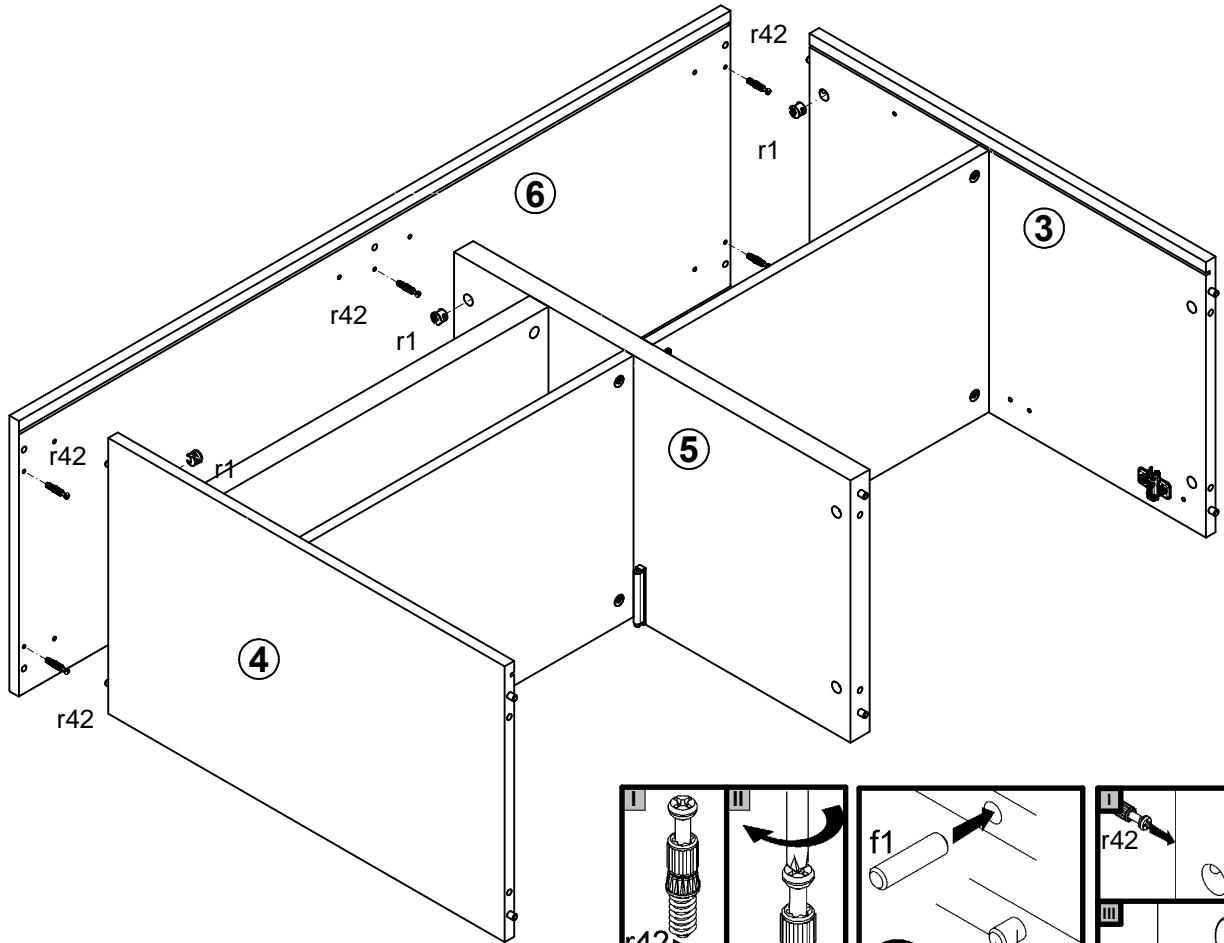
1 



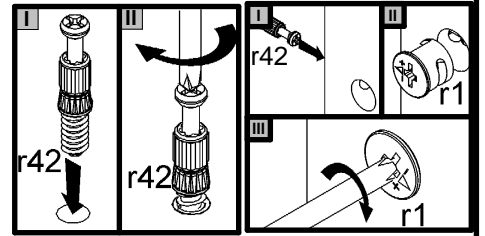
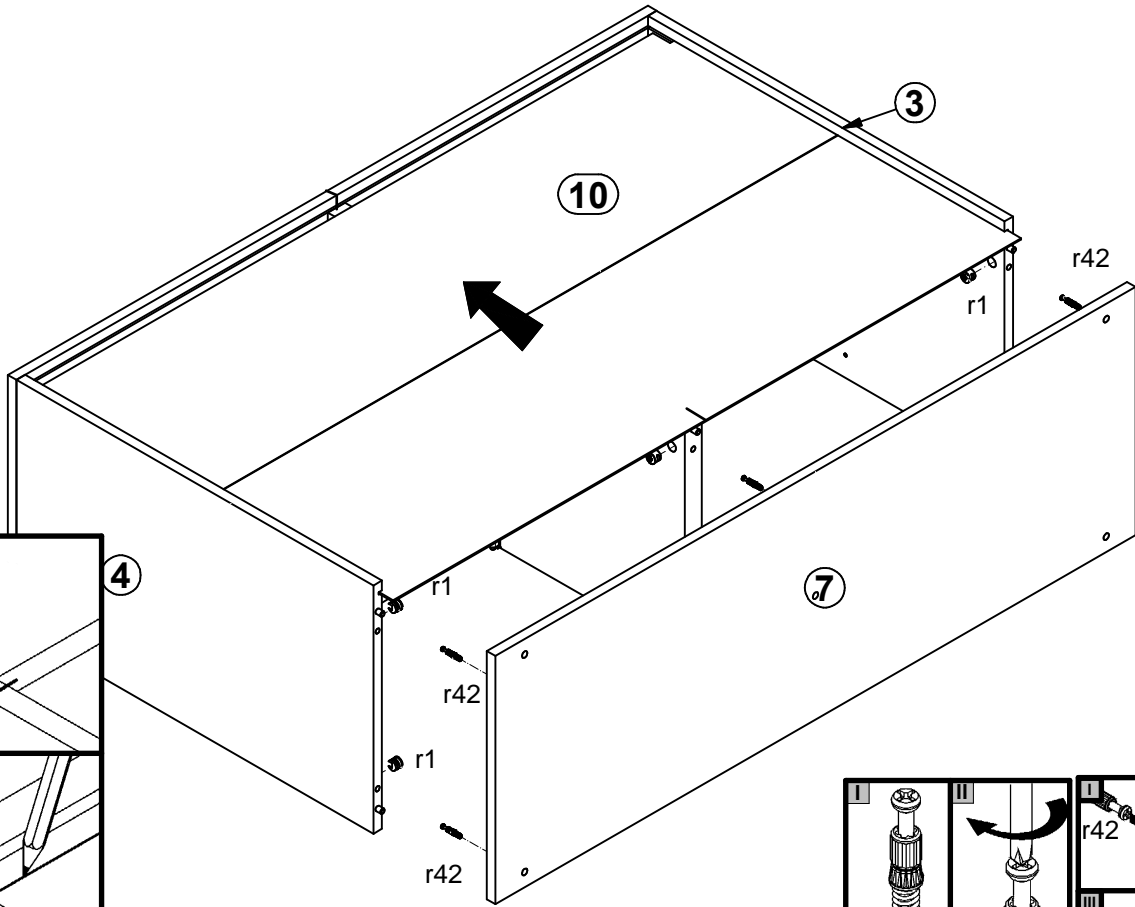
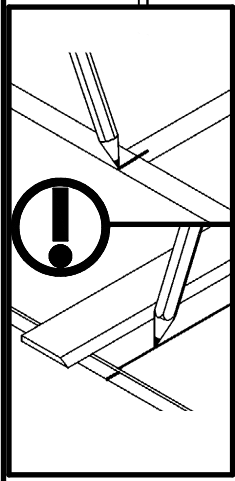
2 §6



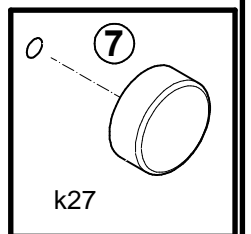
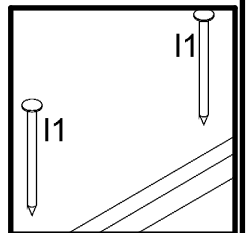
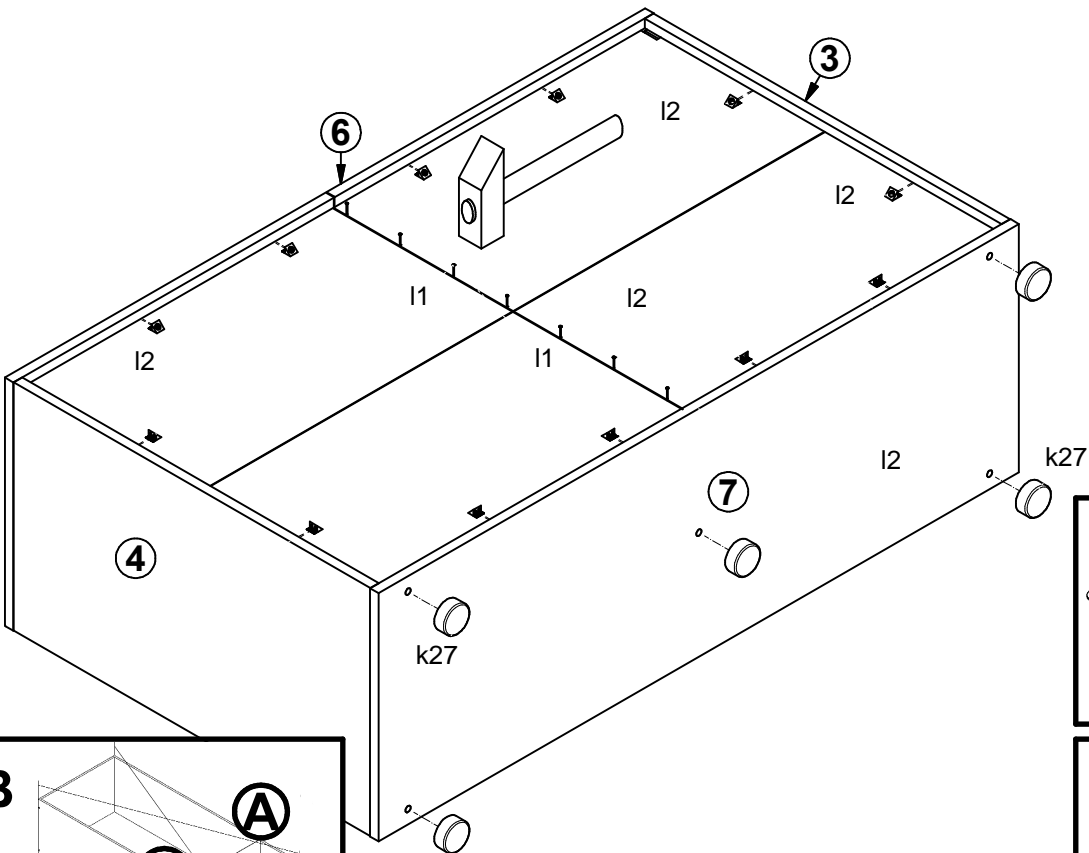
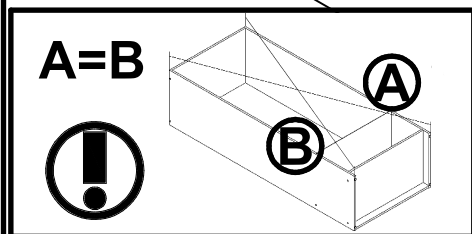
3



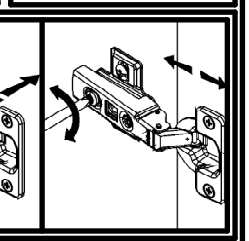
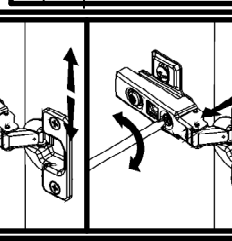
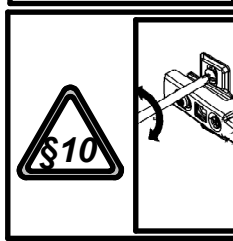
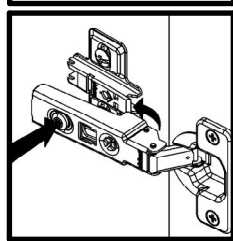
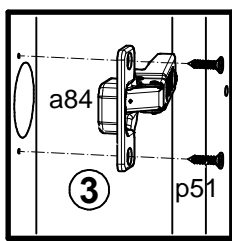
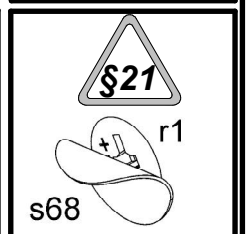
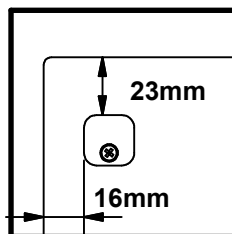
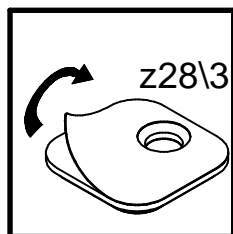
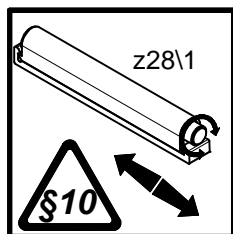
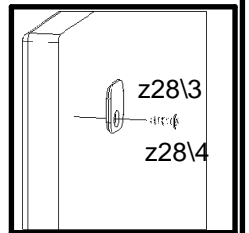
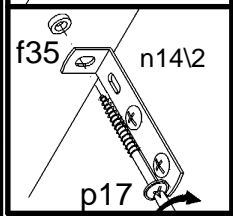
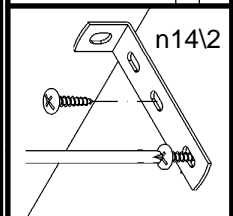
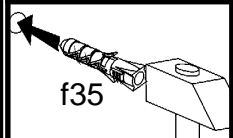
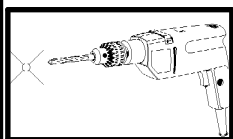
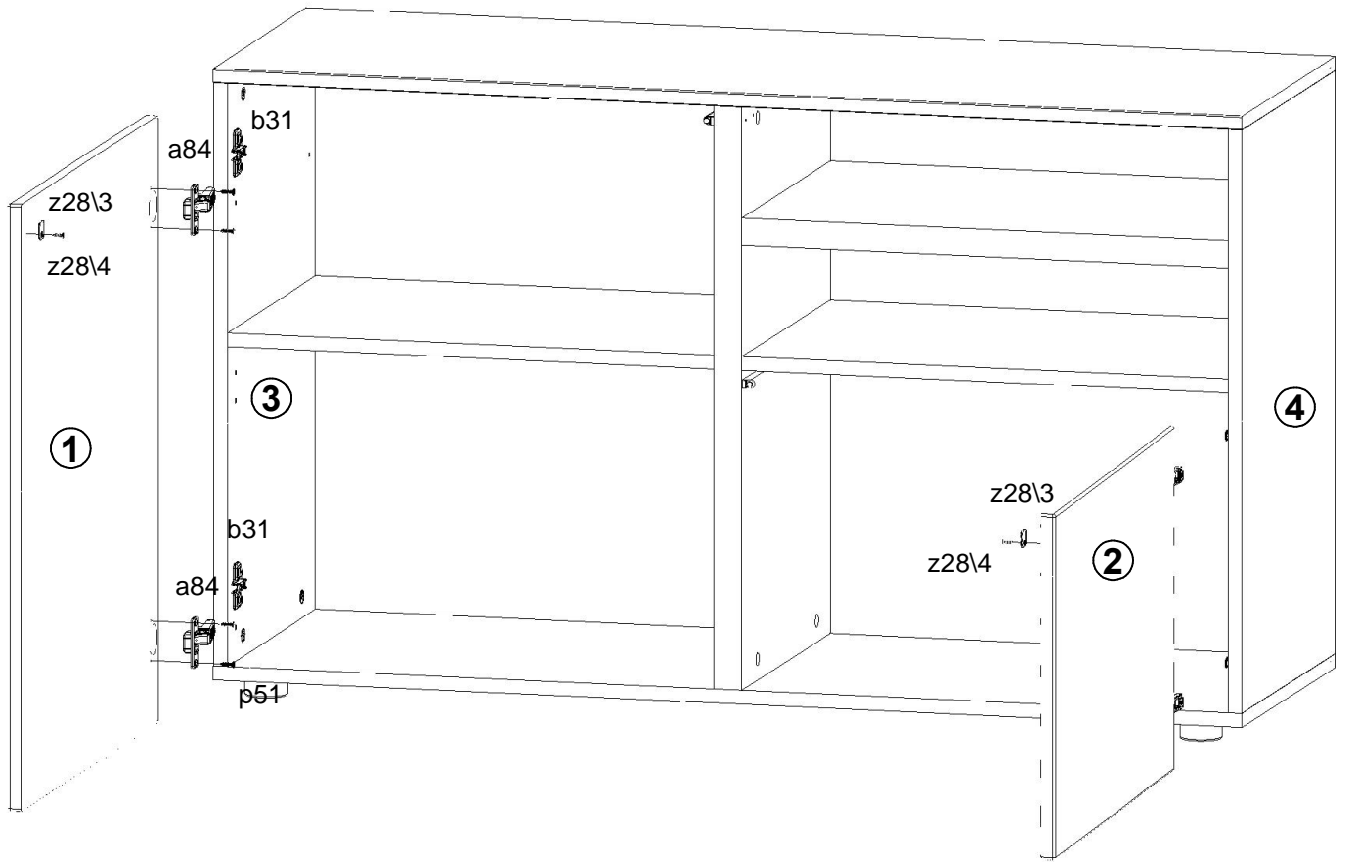
4



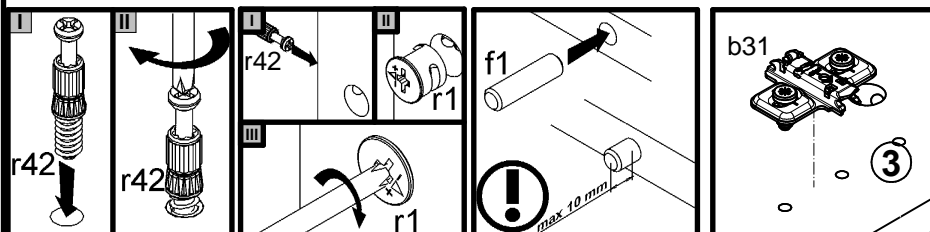
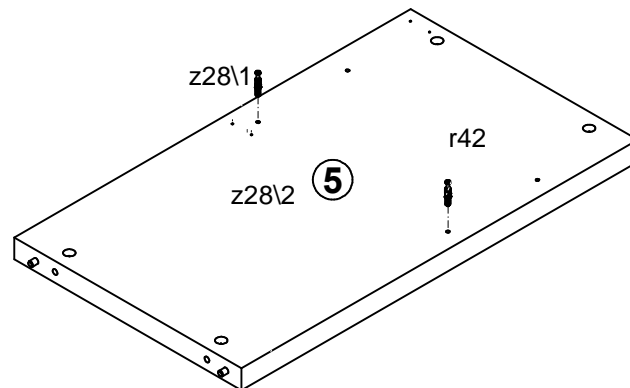
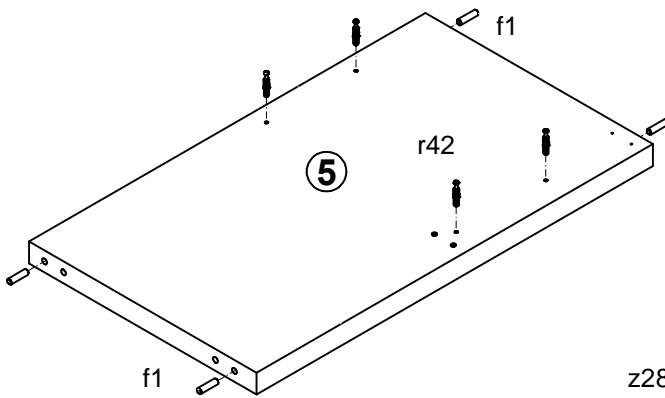
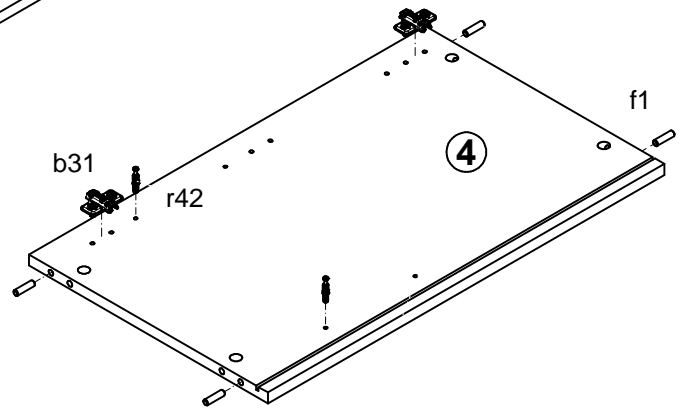
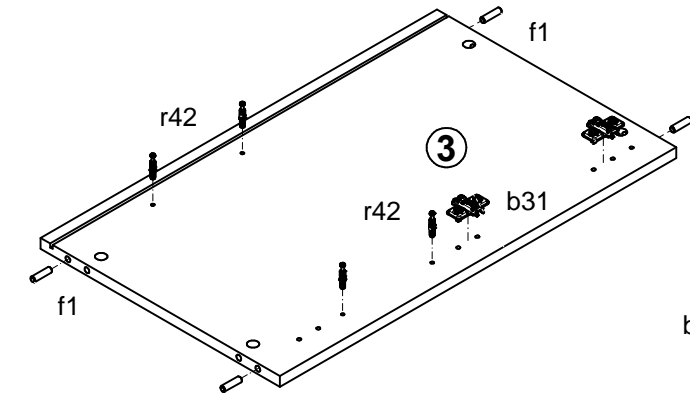
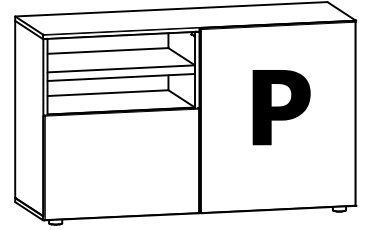
5



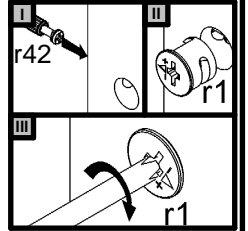
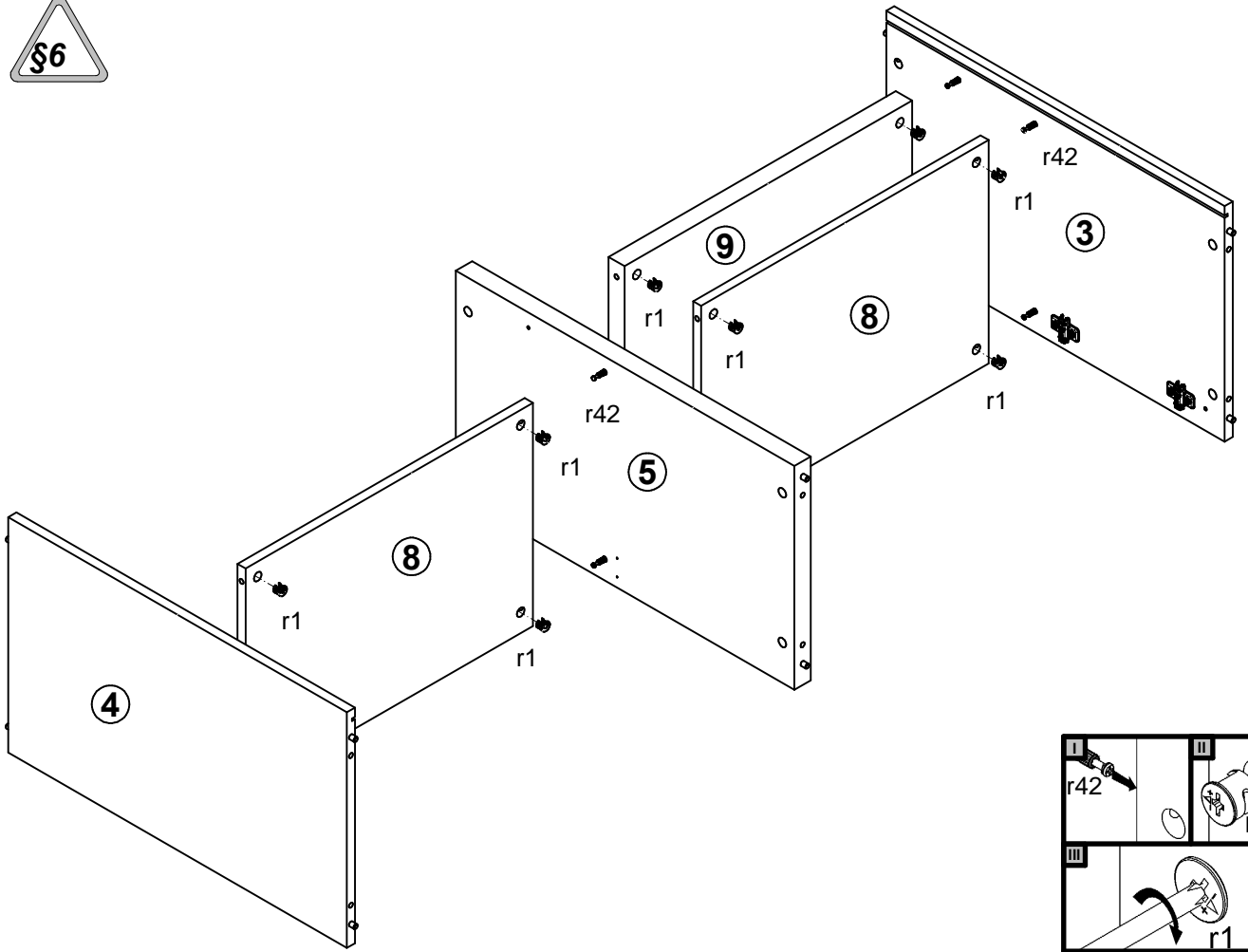
6



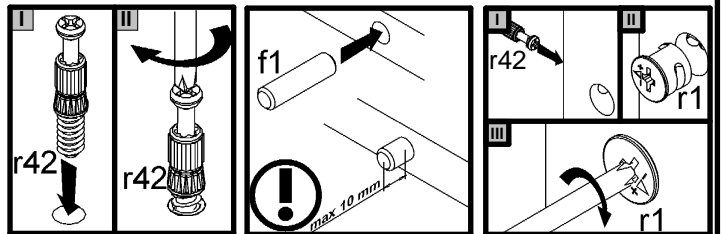
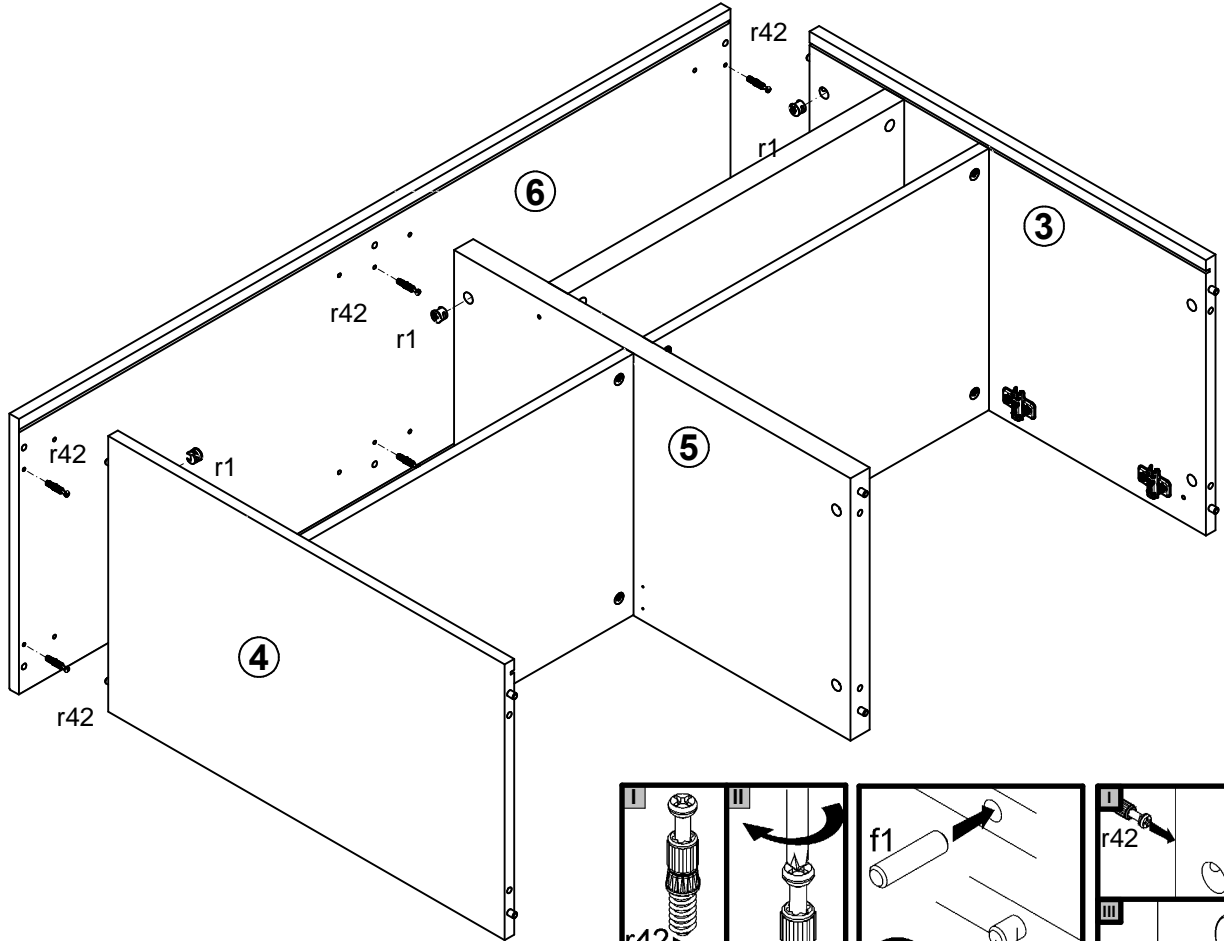
1 



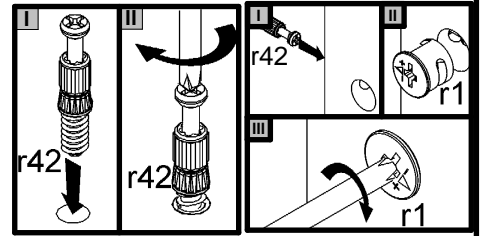
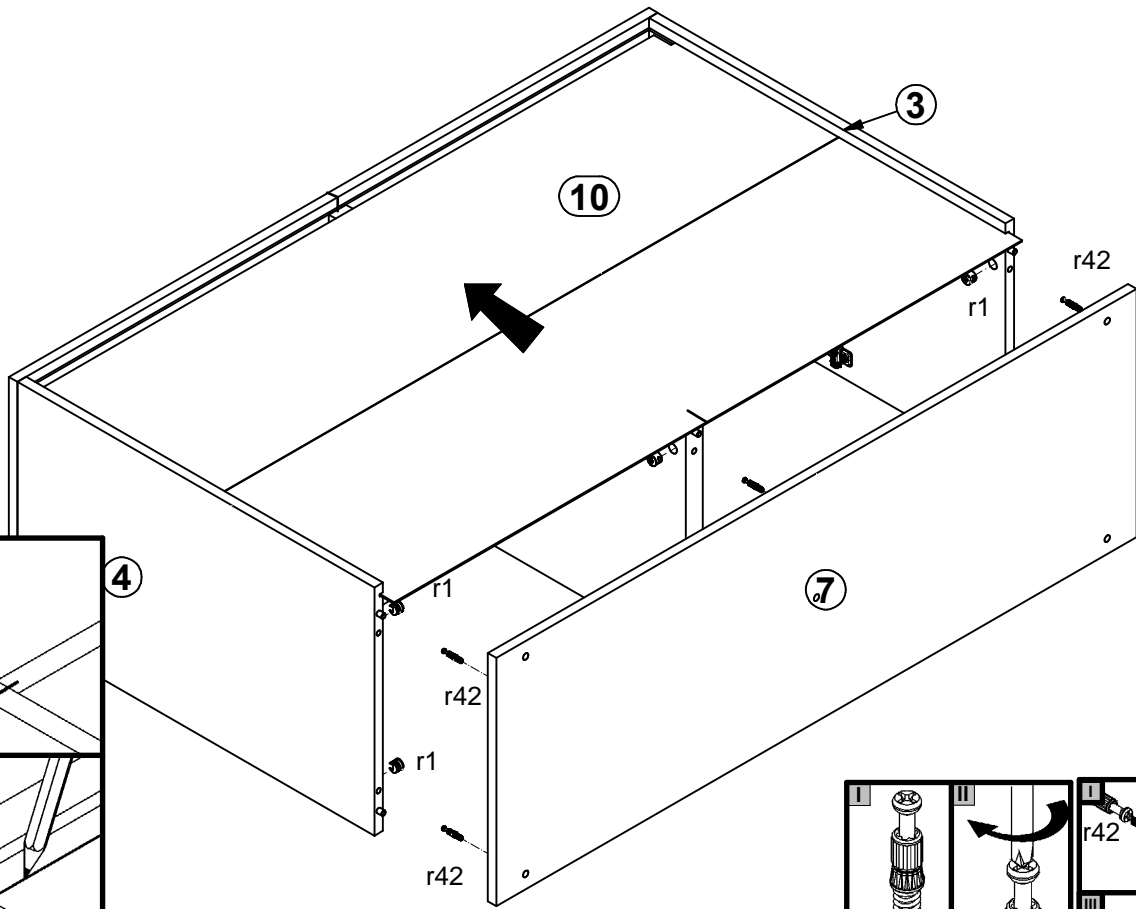
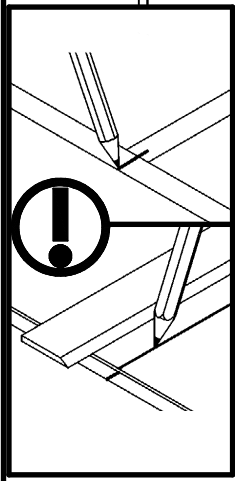
2



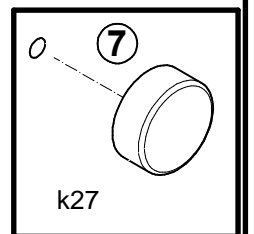
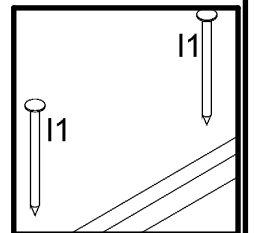
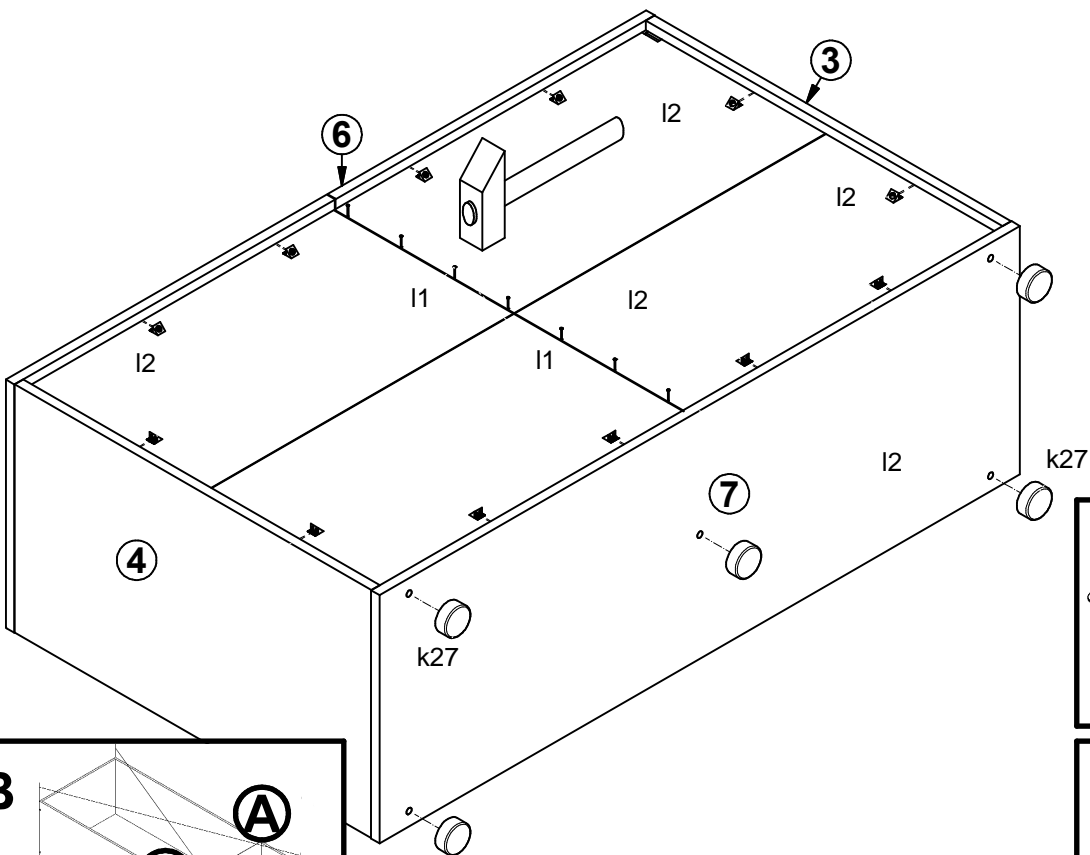
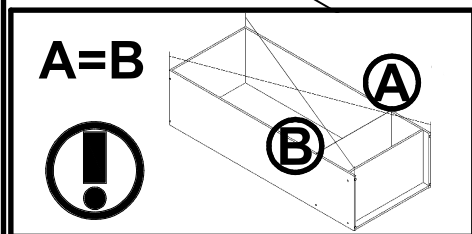
3



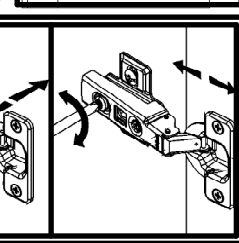
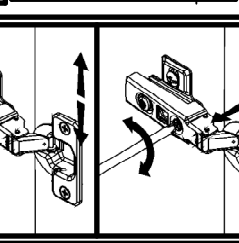
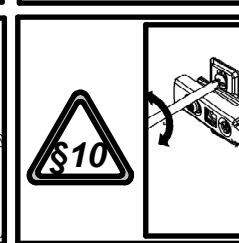
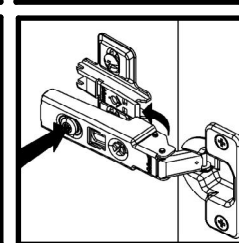
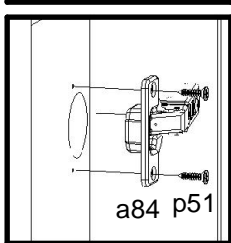
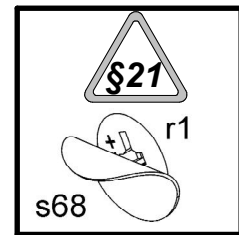
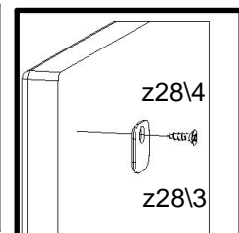
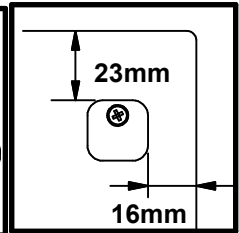
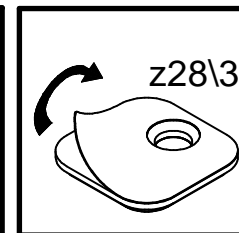
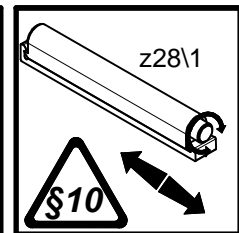
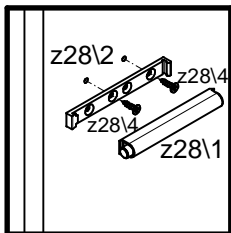
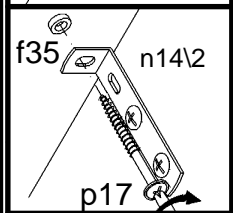
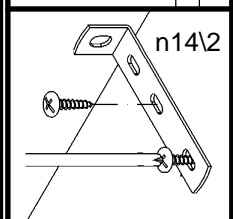
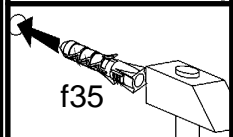
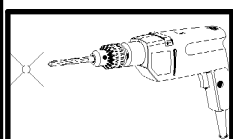
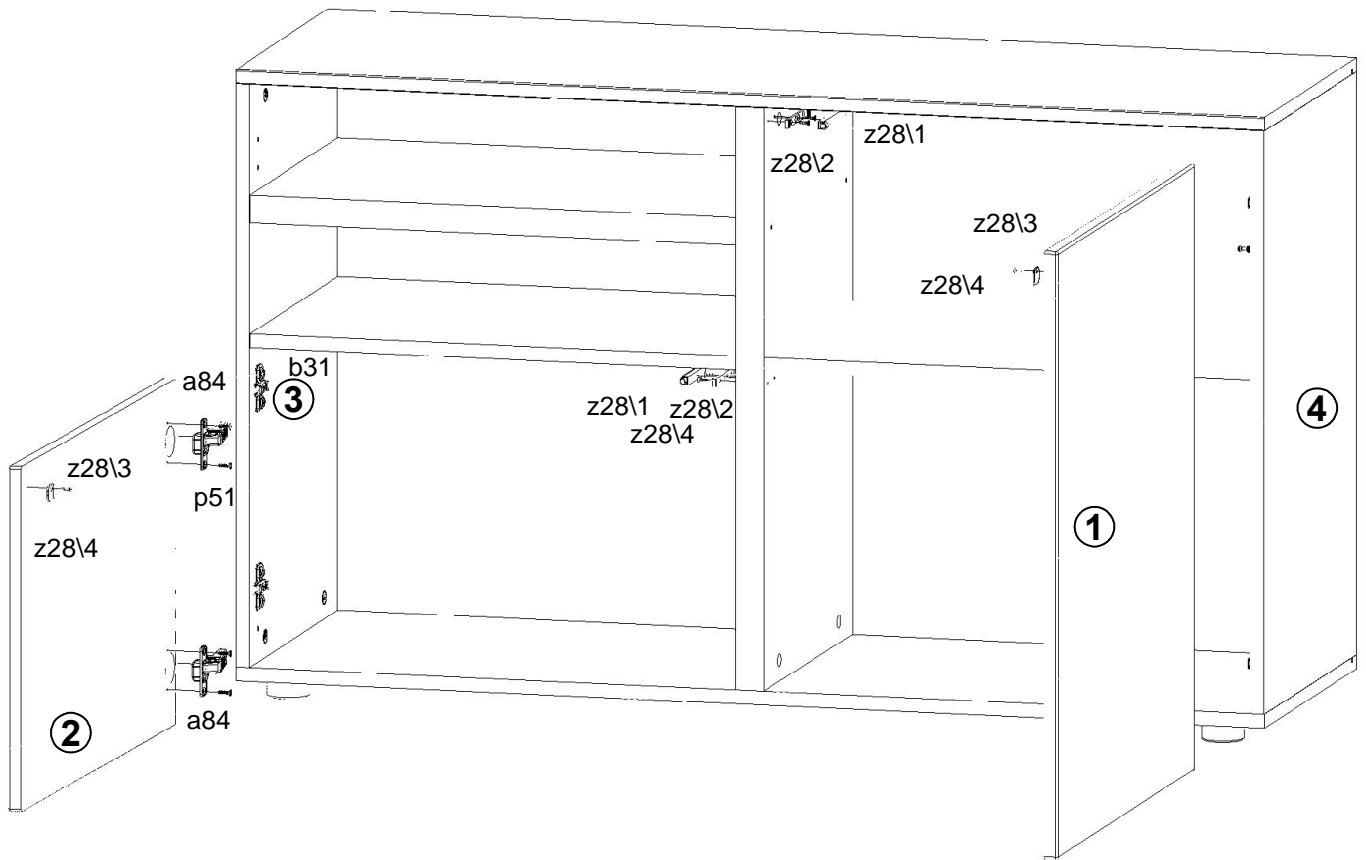
4



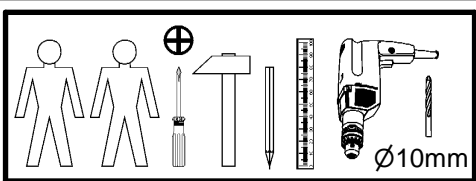
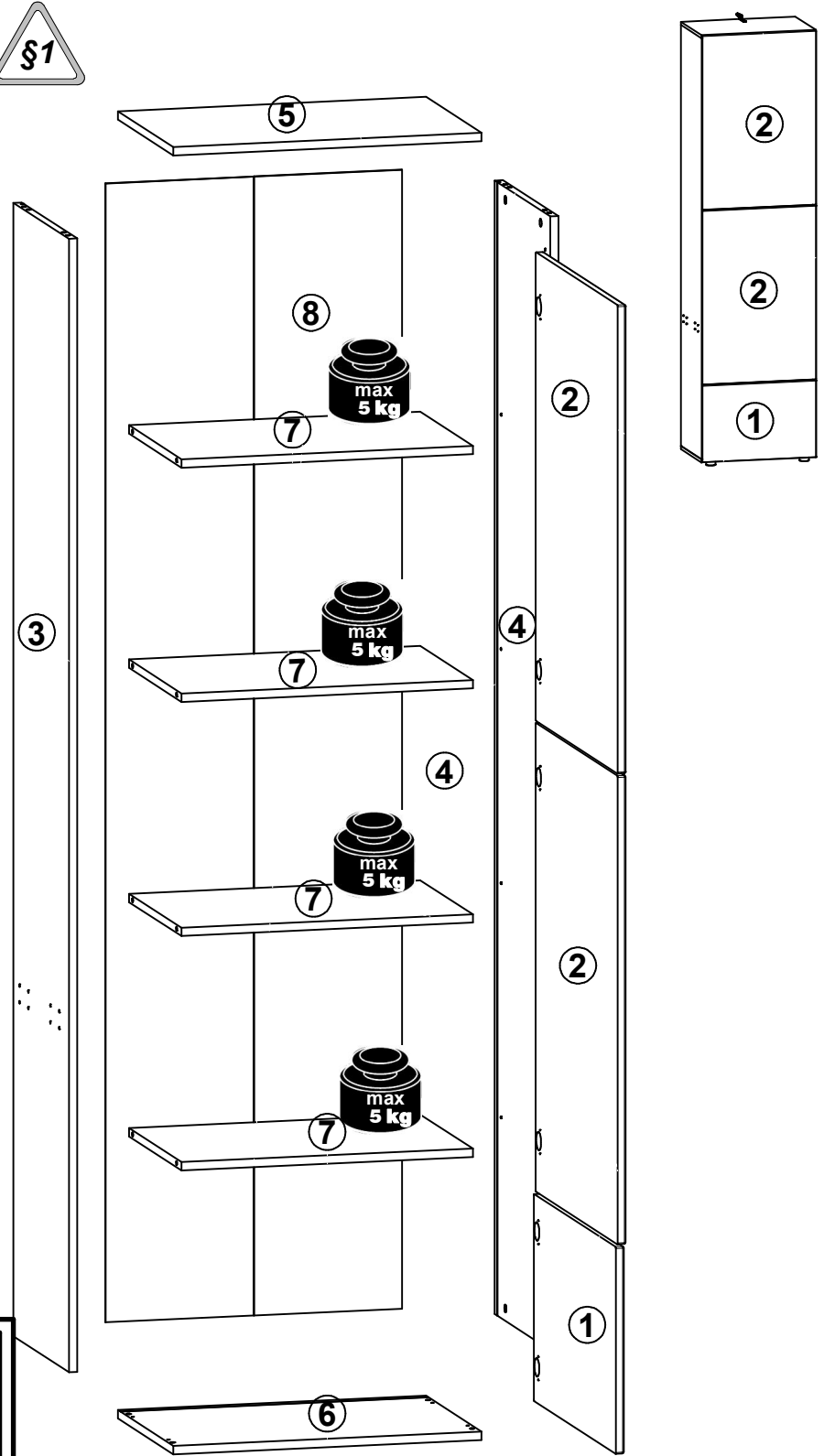
5



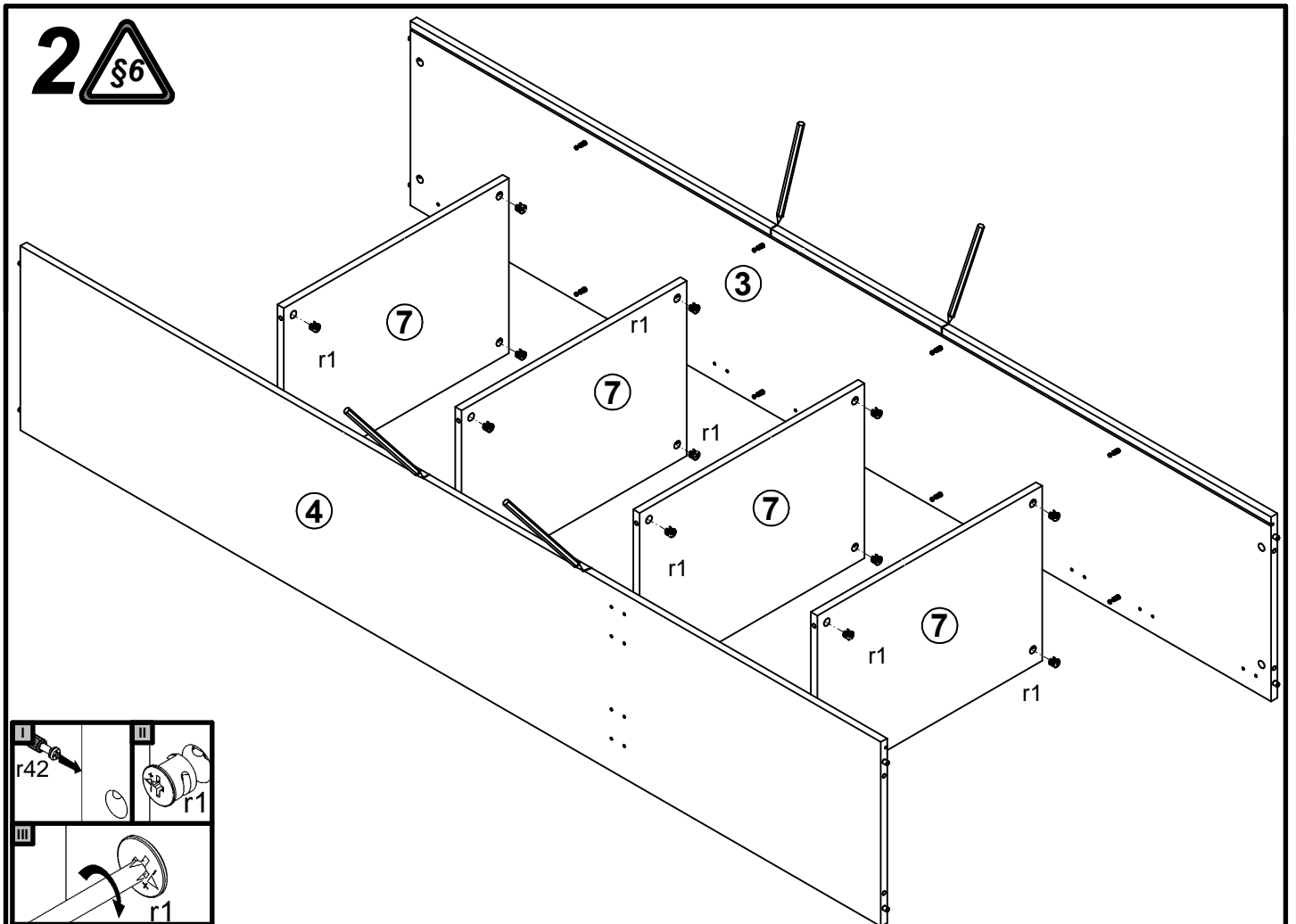
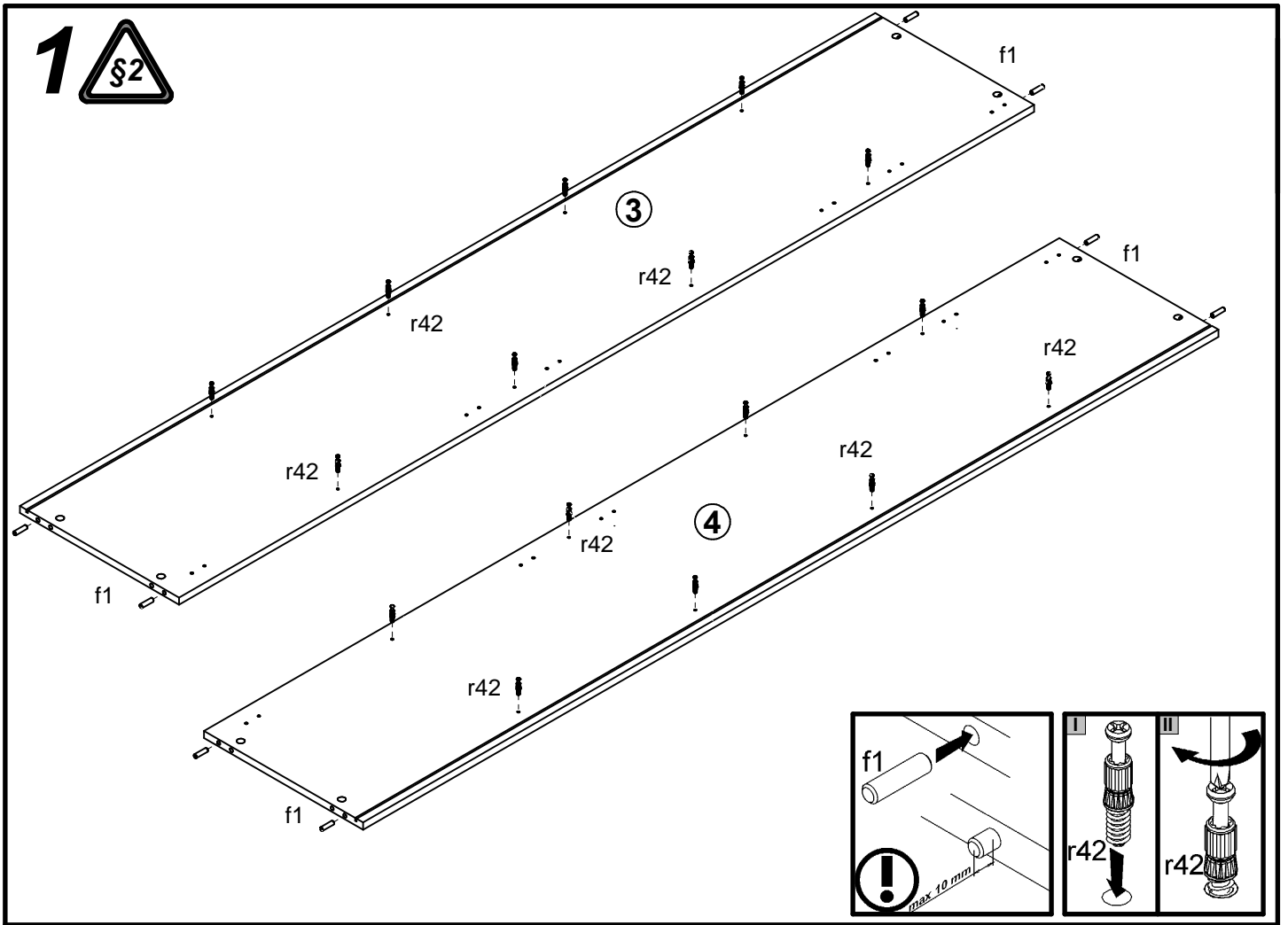
6

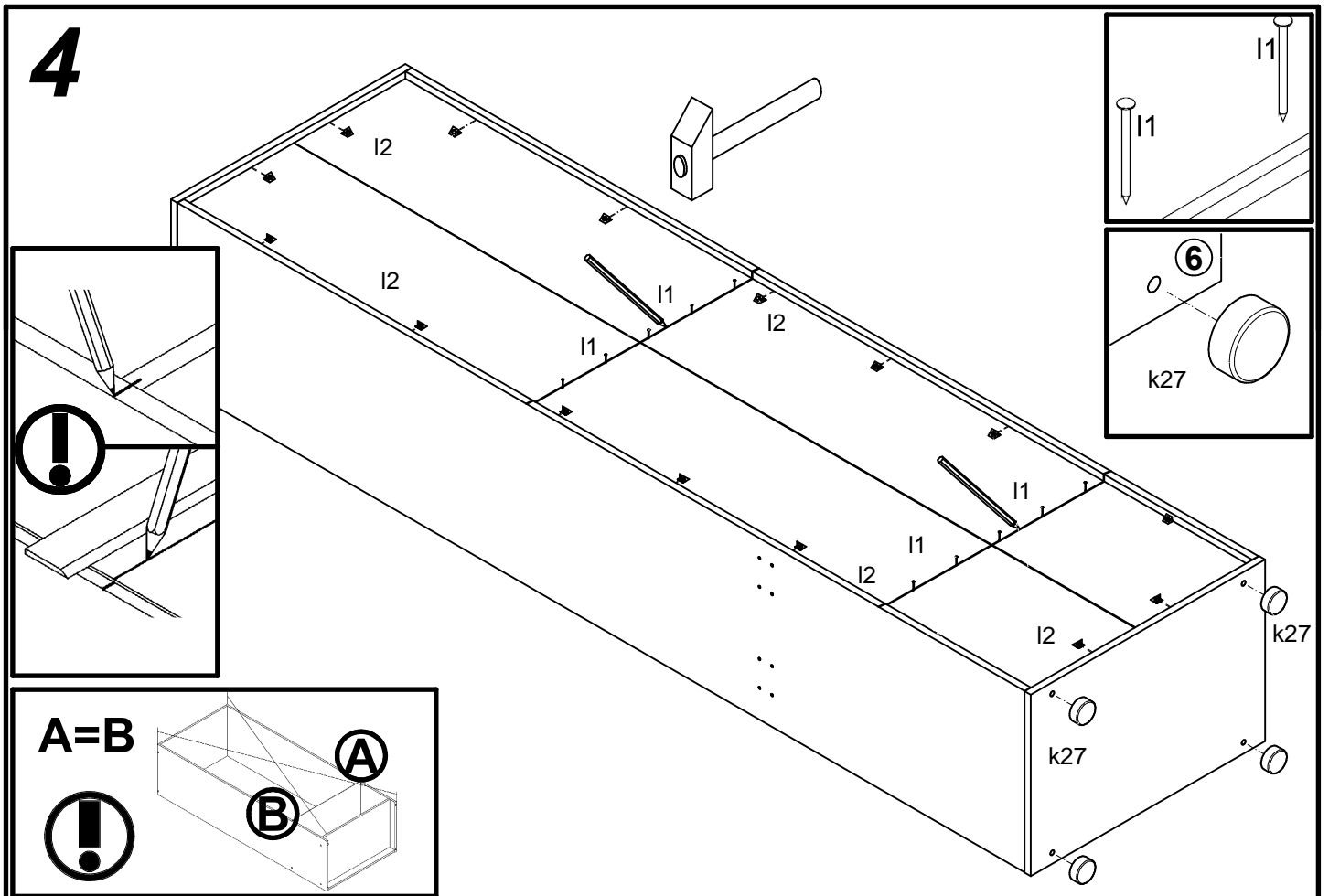
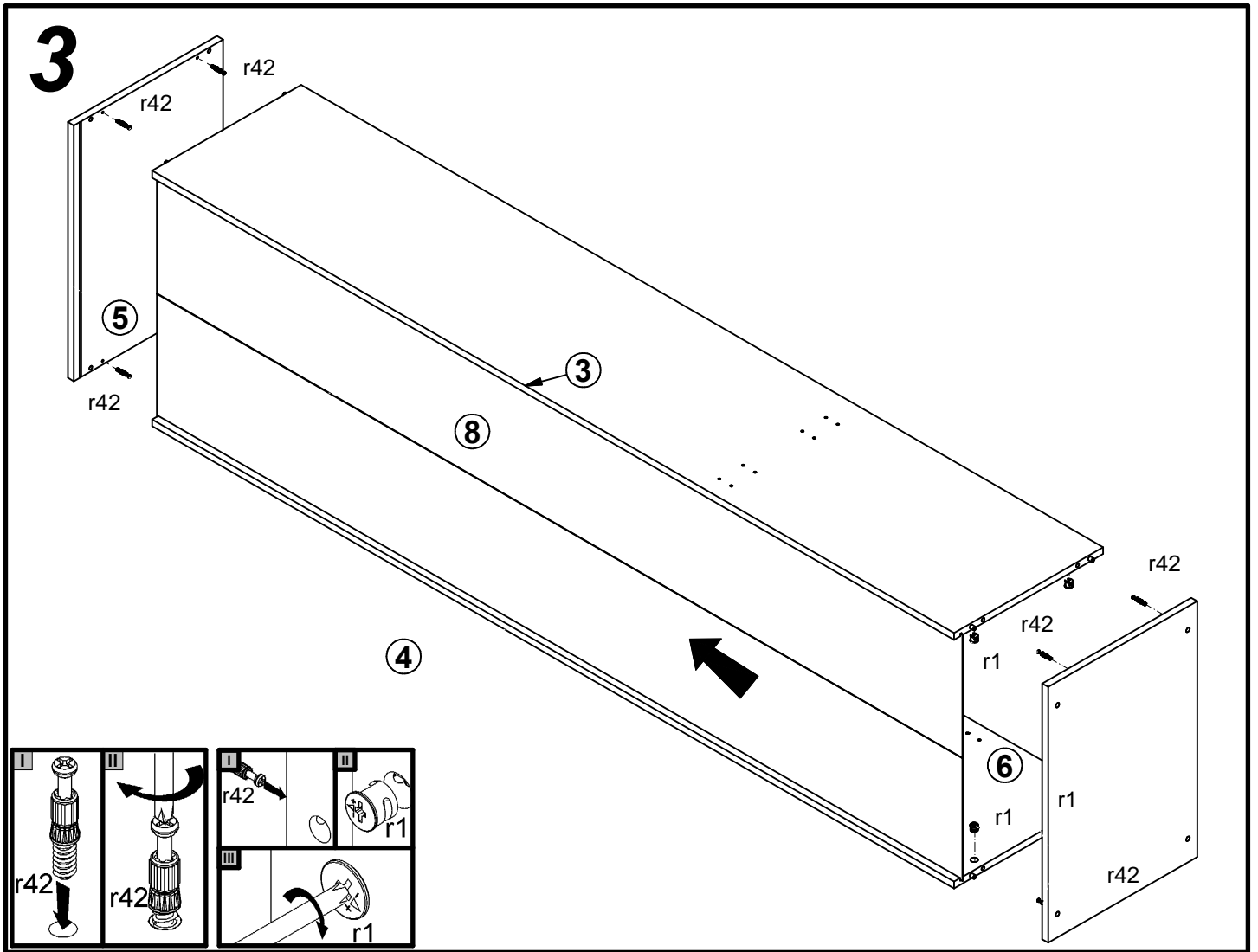


A	B	C	D
1	S373-0006	396	596
2	S373-0008	896	596
3	S373-1008	2168	403
4	S373-1009	2168	403
5	S373-2007	600	403
6	S373-2008	600	403
7	S373-3001	567	382
8	S373-9303	2178	577



6x a84	6x b31	8x Ø8x30 mm f1	6x f23	1x Ø10x50 mm f35	4x k27	10x l1	16x l2	1x 86x21x15/1,5 n14/2
1x Ø5x60 mm p17	3x Ø3.5x16 mm p38	12x Ø3.5x15 mm p51	24x Ø15x12 mm #16 r1	24x 20/11 r42	6x z28/1	6x 82x9, 9/6, 5mm z28/2	3x 20x20/1,5 mm z28/3	15x Ø3x12mm z28/4
4x Ø 20mm s68								





5

