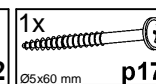
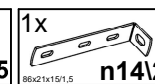
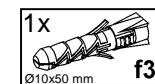
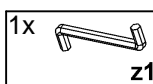
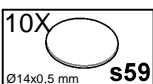
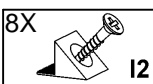
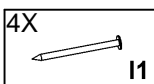
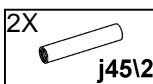
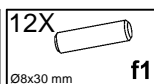
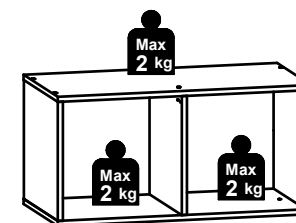
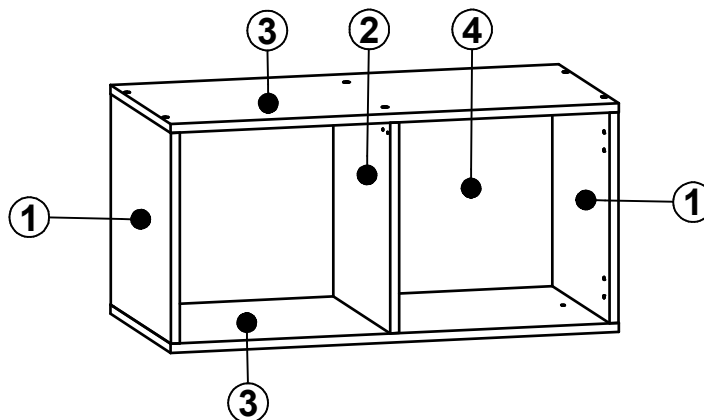
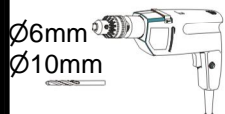
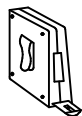
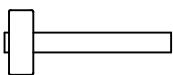
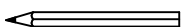
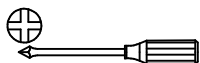
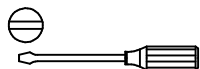
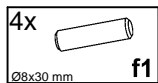
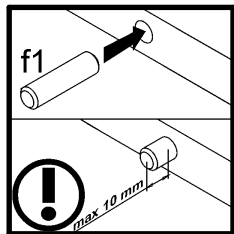
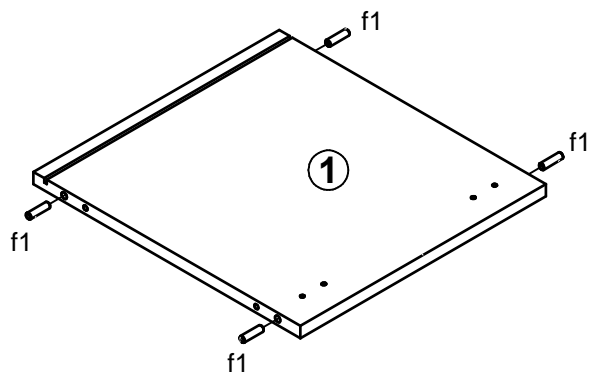


A	B	C (mm)		D
1	S261-1011	368	400	1/1
2	S261-1012	368	380	1/1
3	S261-2003	799	400	1/1
4	S261-9006	378	776	1/1

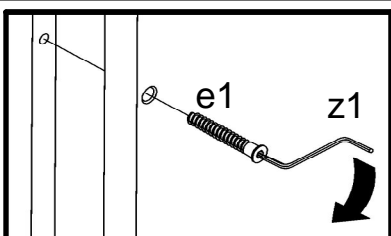
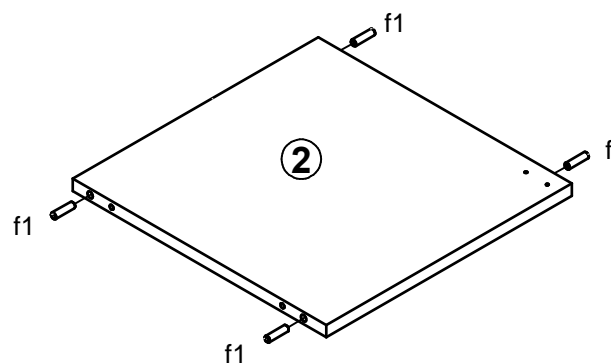
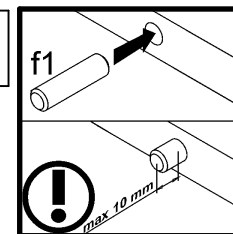
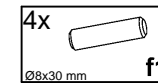




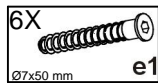
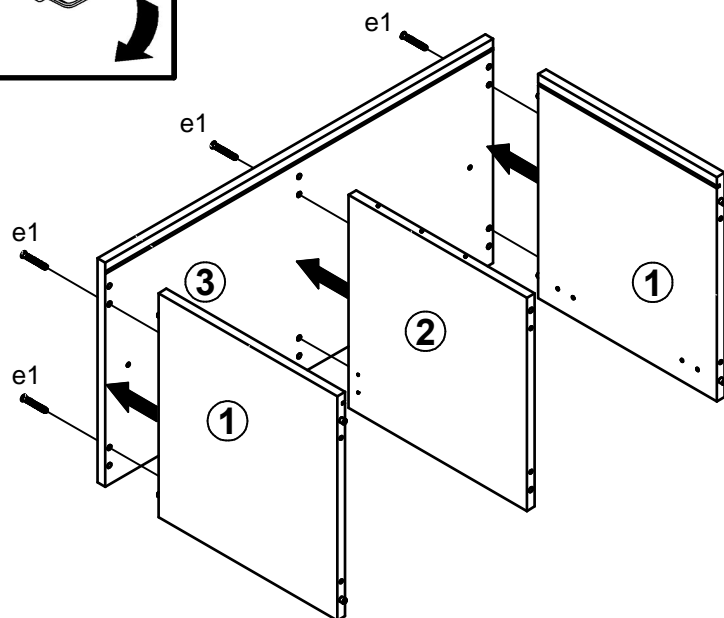
x2



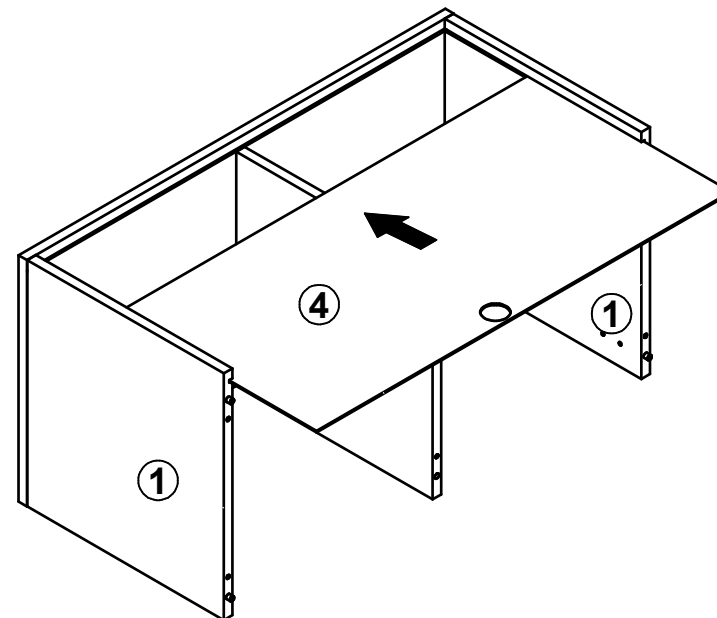
1

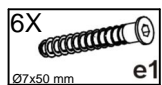
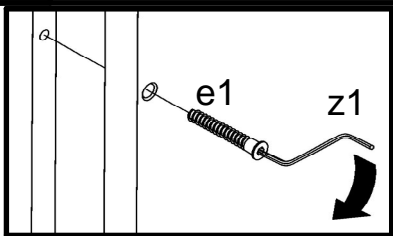


2

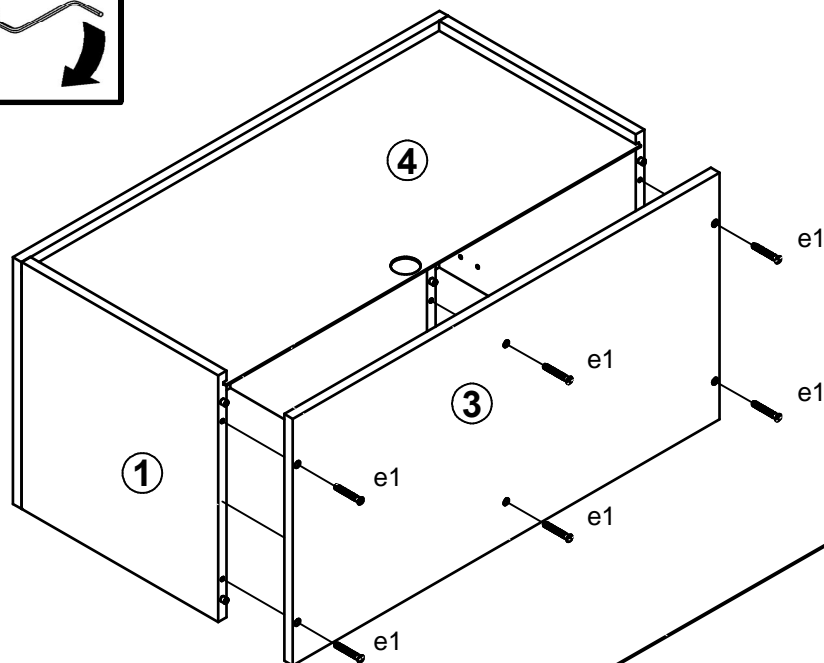


3

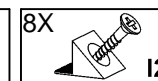
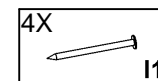
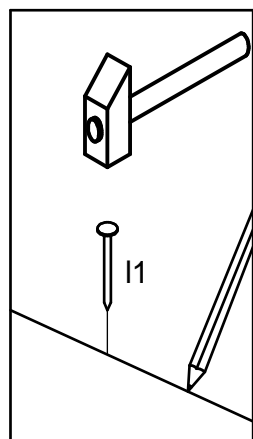
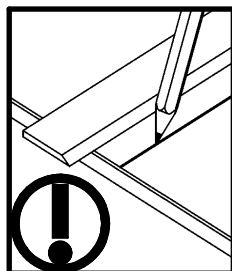
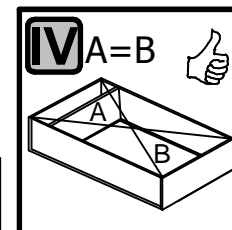
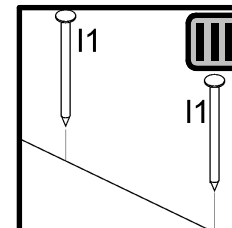
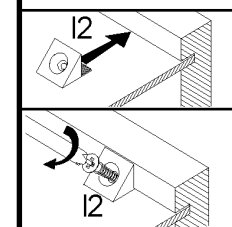
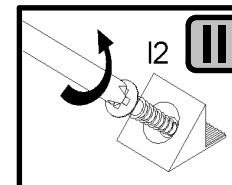
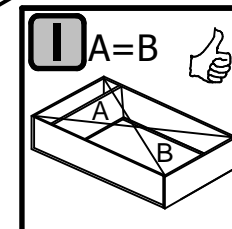
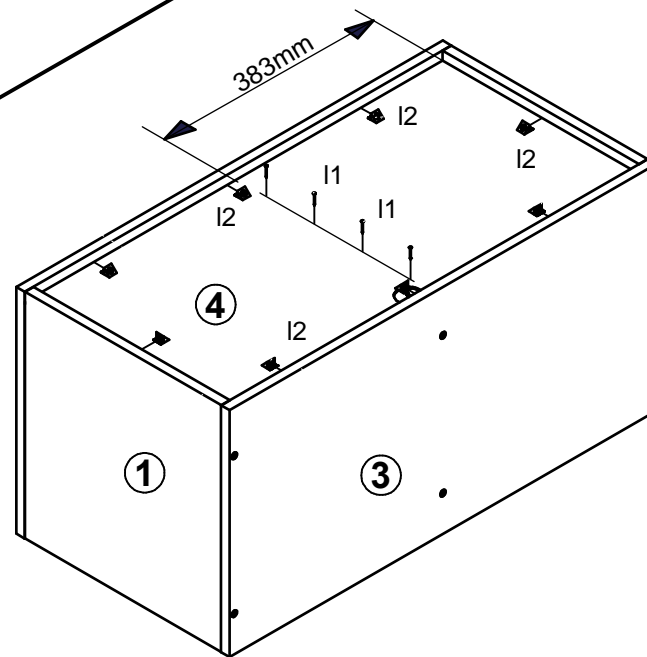




4



5





6

