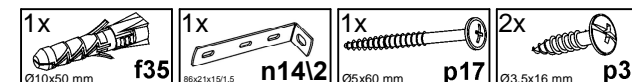
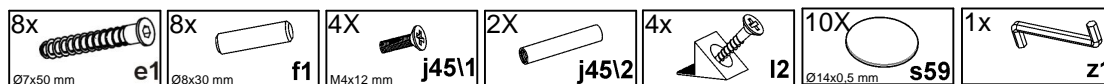
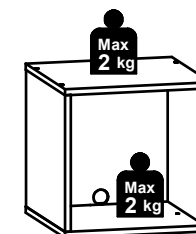
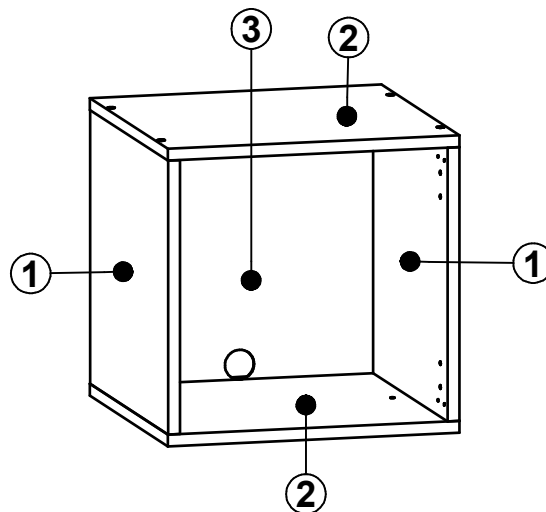
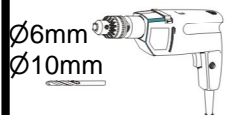
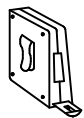
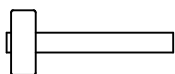
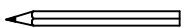
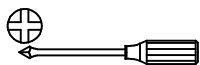
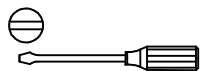
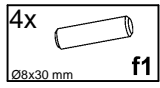
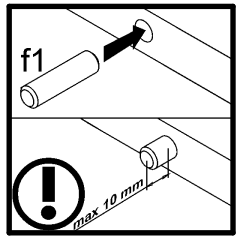


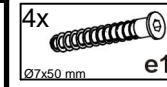
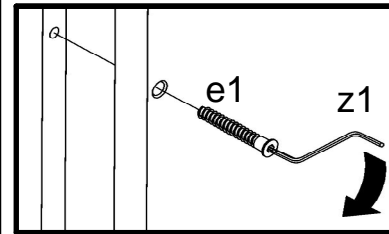
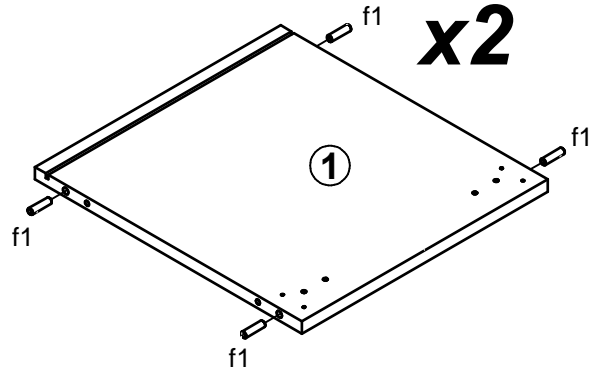
A	B	C (mm)		D
1	S261-1017	368	400	1/1
2	S261-2001	400	400	1/1
3	S261-9005	378	377	1/1



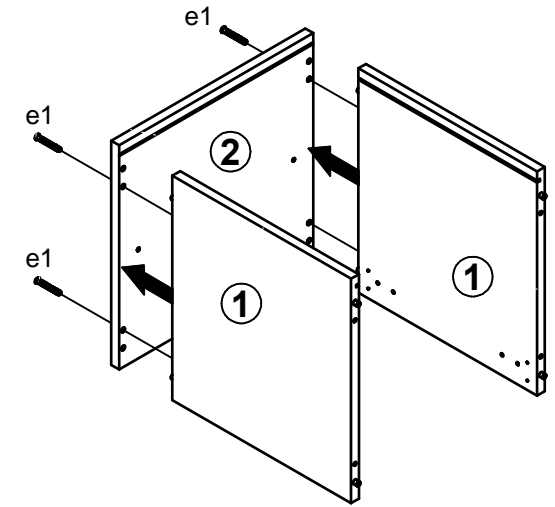
S261-NAD/4/4



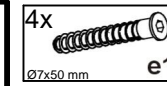
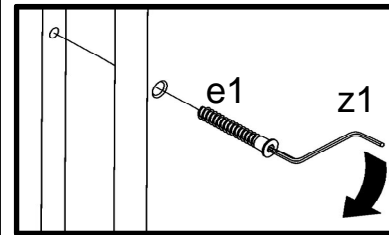
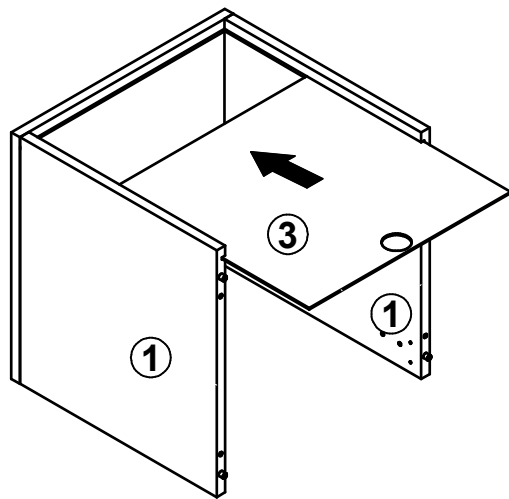
1



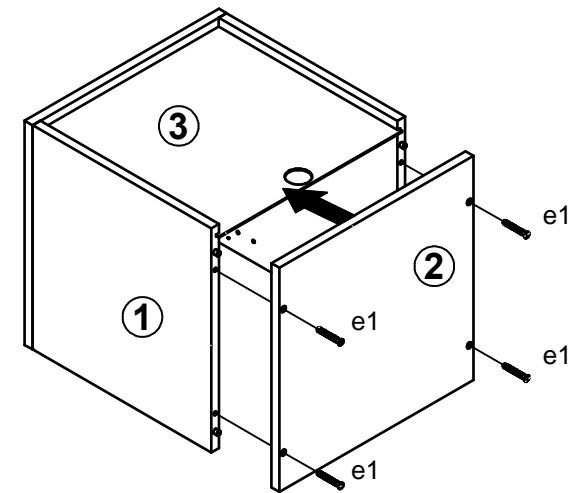
2



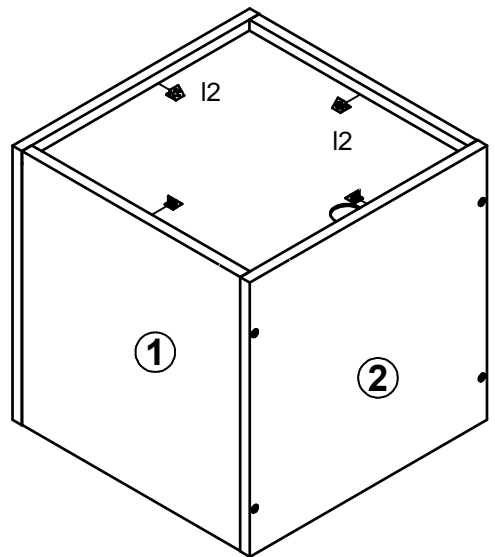
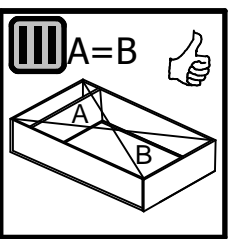
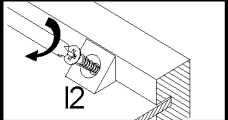
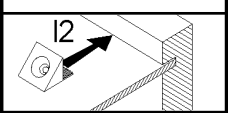
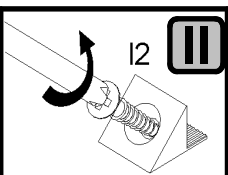
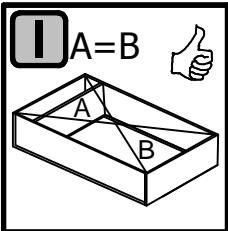
3



4



5



6

