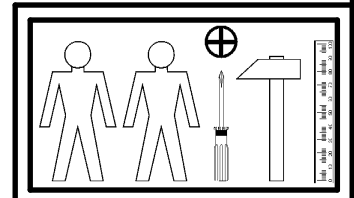
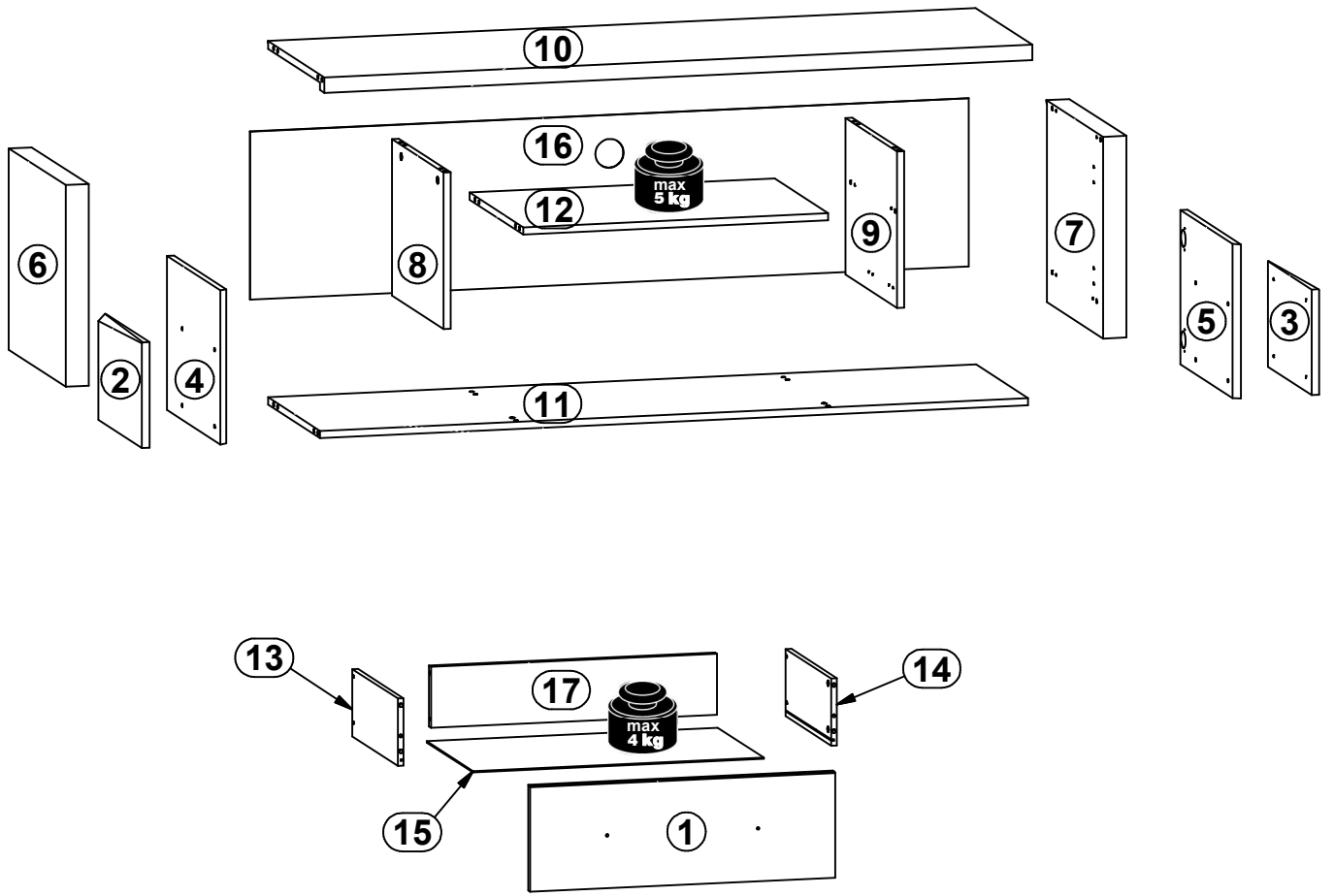
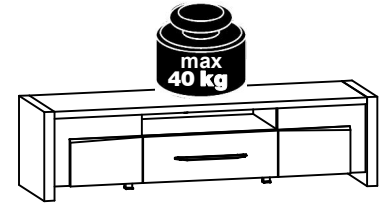
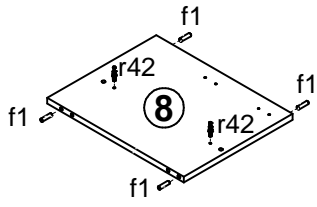


A	B	C	D	A	B	C	D		
1	S346-0018	646	220	3/4	10	S346-3012	1500	449	2/4
2	S346-0019	346	220	3/4	11	S346-3013	1500	410	2/4
3	S346-0020	346	220	3/4	12	S346-3014	646	425	2/4
4	S346-0021	321	421	4/4	13	S346-5006	360	140	1/4
5	S346-0022	321	421	4/4	14	S346-5007	360	140	1/4
6	S346-1009	420	450	1/4	15	S346-9002	616	365	2/4
7	S346-1010	420	450	1/4	16	S346-9003	1523	350	2/4
8	S346-1011	326	409	2/4	17	ZQ2-566	606	127	2/4
9	S346-1012	326	409	2/4					

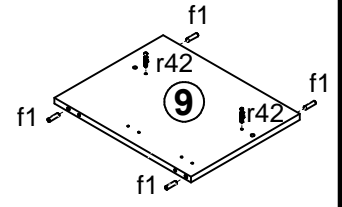
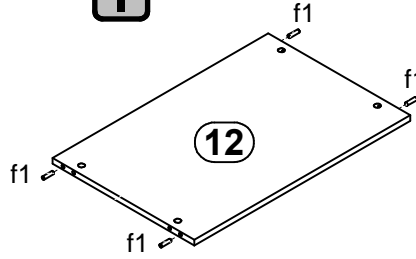


2x K16: 435 a101	2x K16 a43	2x b19	2x b59	1x 320 mm c433/2	4x Ø7x50 mm e1	2x Ø6.3x13 mm e2	8x Ø6x13 mm e3	20x Ø8x30 mm f1
2x Ø6x30 mm f9	4x Ø6.5x40 mm f25	2x M4x22 mm j30	4x k1	2x 42.5x42.54 mm k38/3	2x 30x30/60 mm k38/8	50x l1	8x Ø6.3x26 mm e52	14x Ø3.5x16 mm p38
8x Ø3.5x15 mm p51	16x r1	4x r15	20x 20x11 r42	1x 350 mm W117/L W117/L	1x 350 mm W117/P W117/P	4x Ø 20mm s68		
						1x 4 mm z1	1x n26/1	1x p38

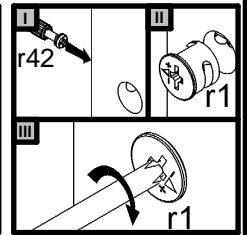
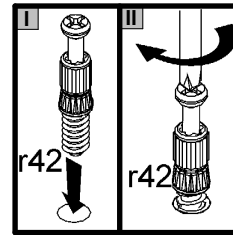
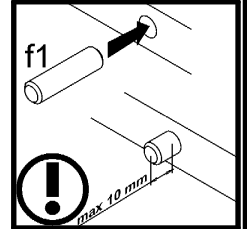
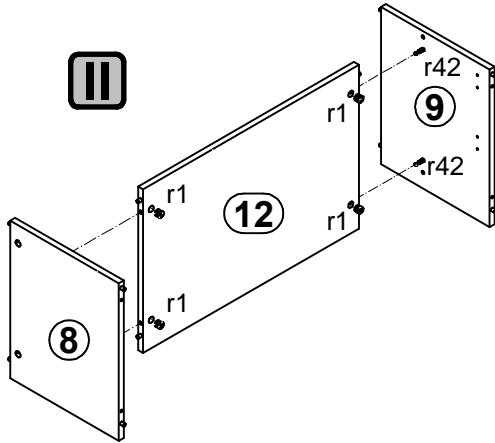
1  



I

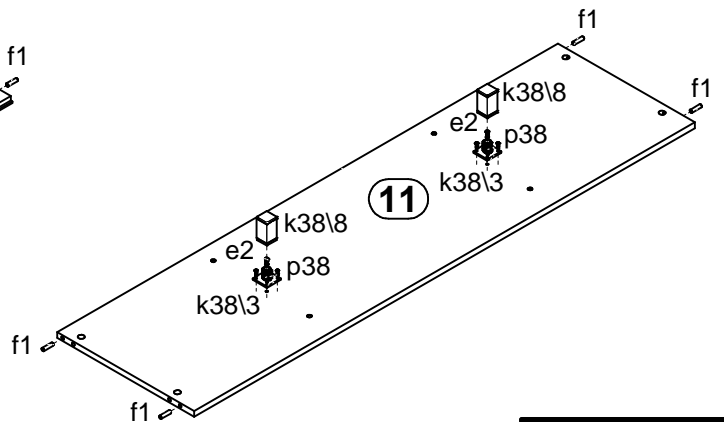
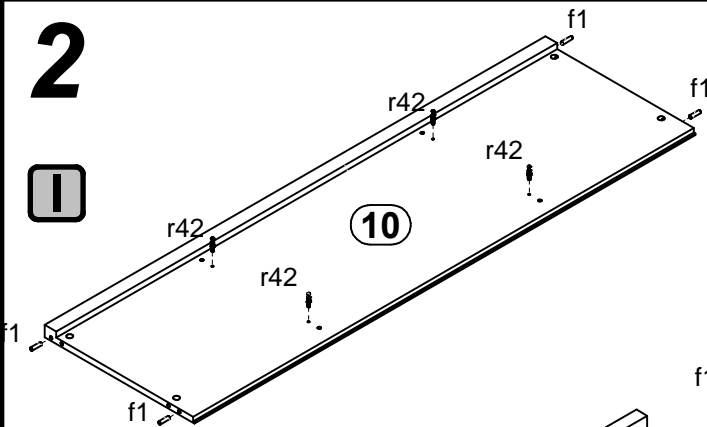


II

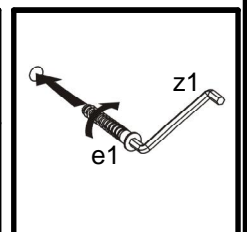
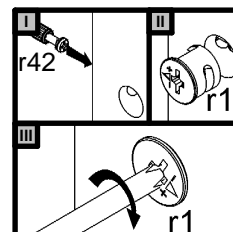
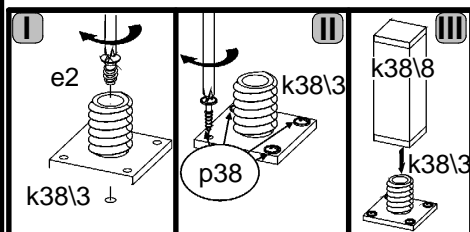
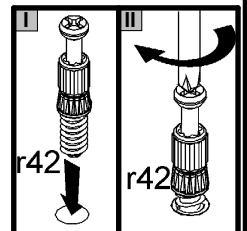
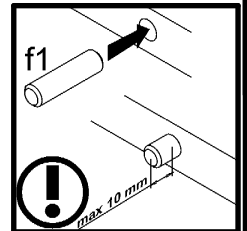
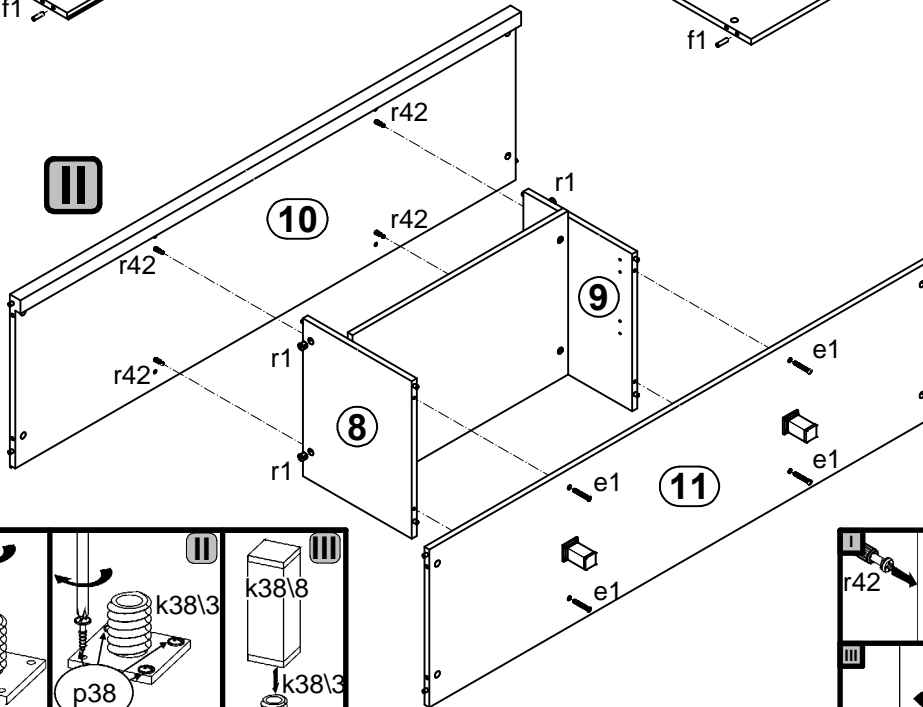


2

I

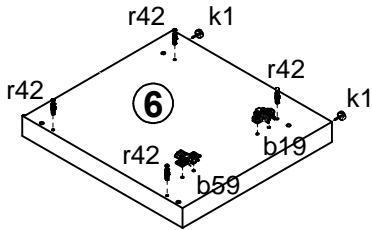
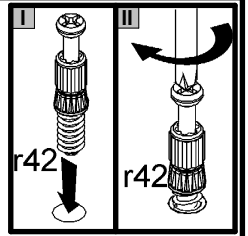
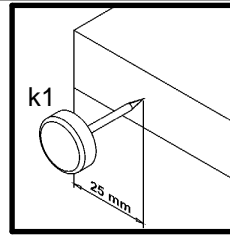
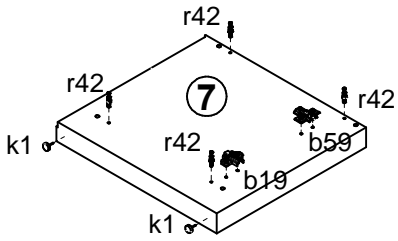


II

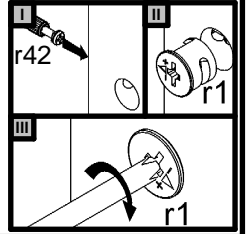
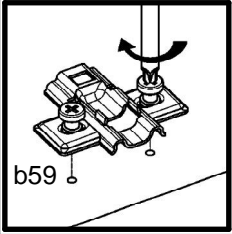
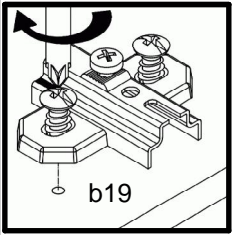
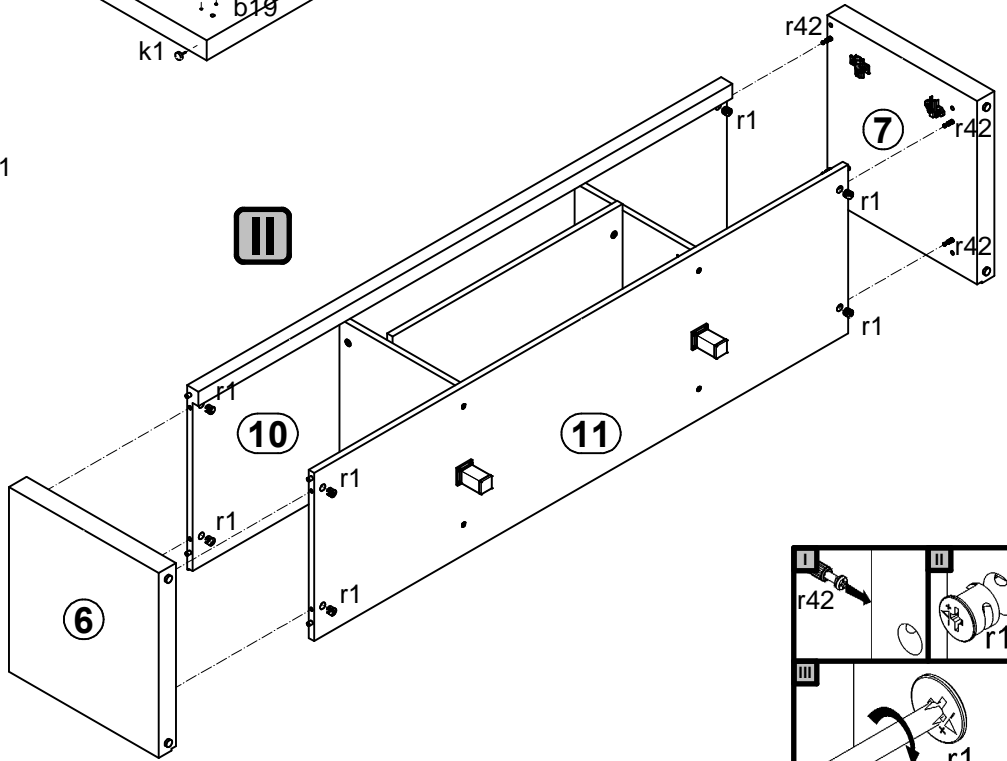


3

I

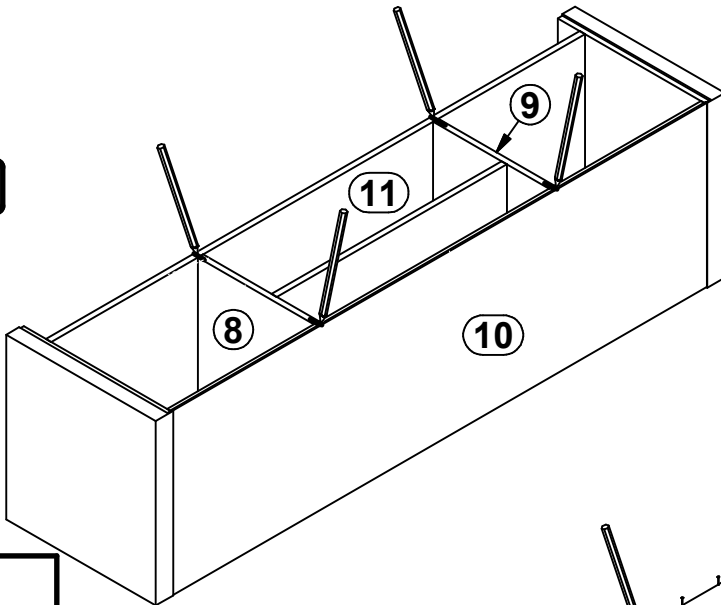


II

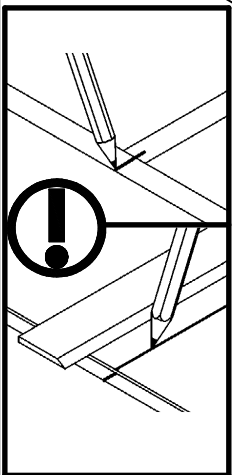
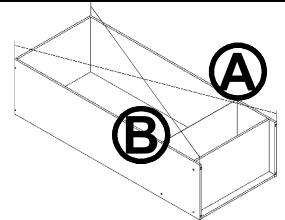


4

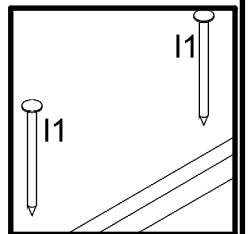
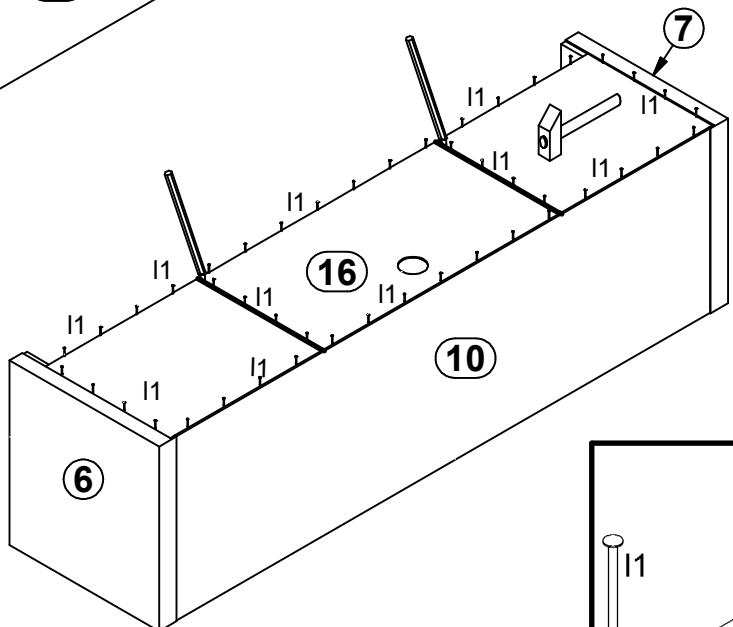
I



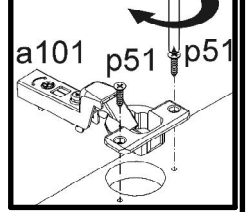
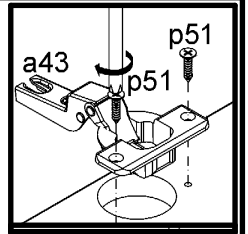
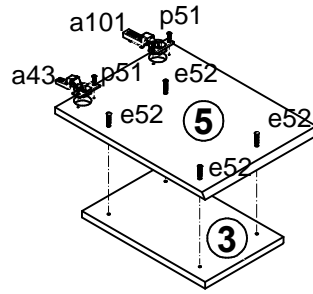
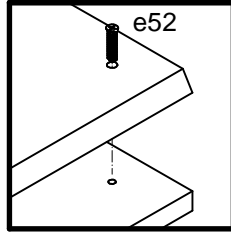
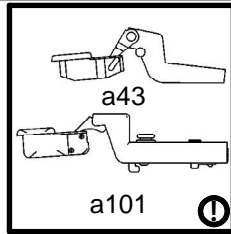
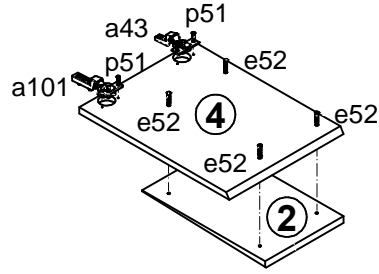
A=B



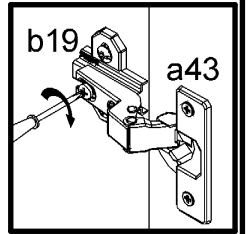
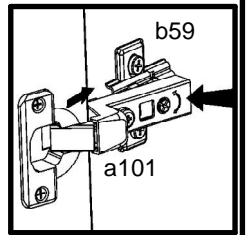
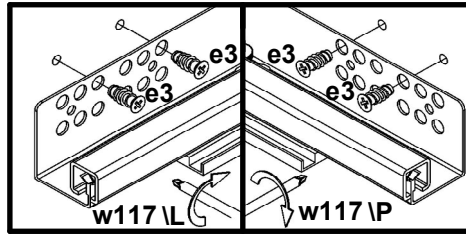
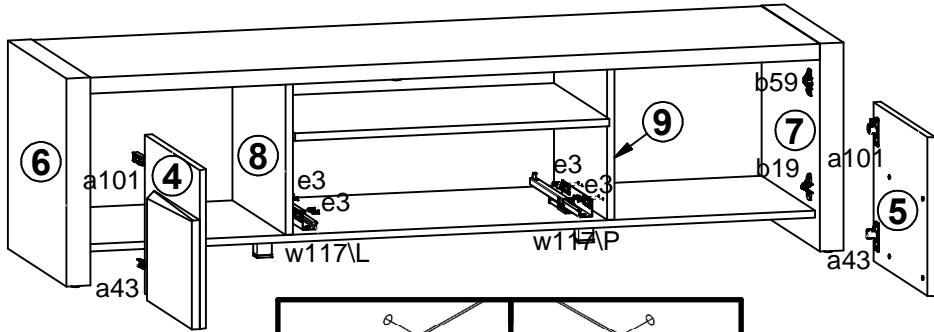
II



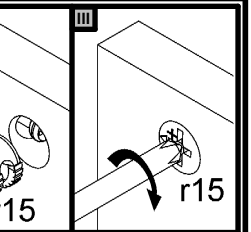
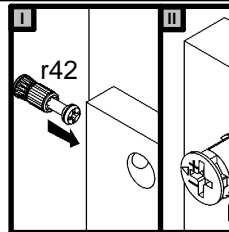
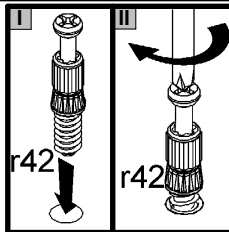
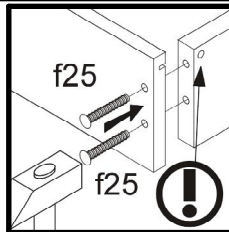
5



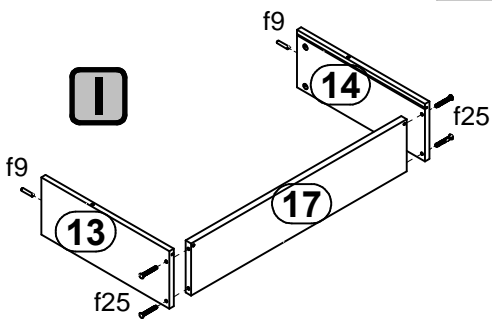
II



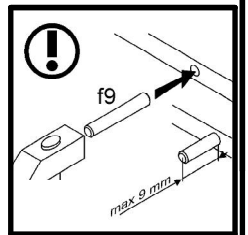
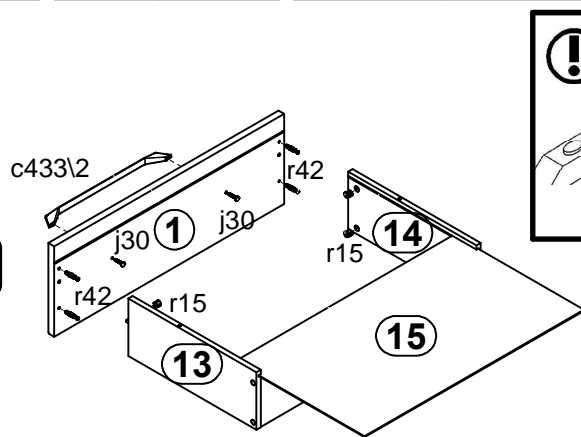
6



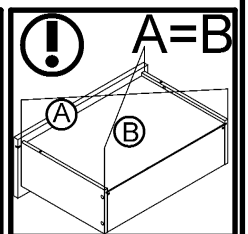
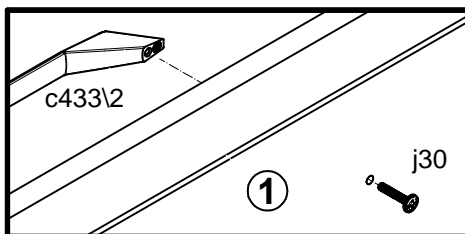
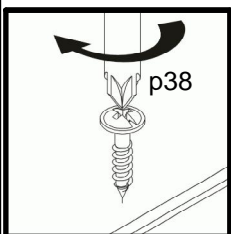
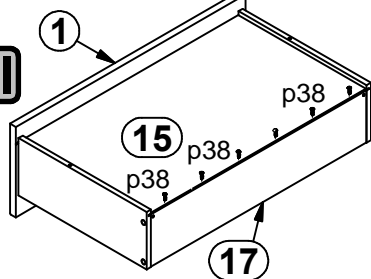
I



II



III



7

