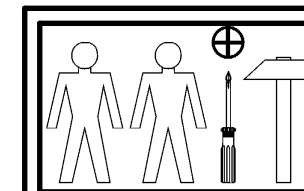
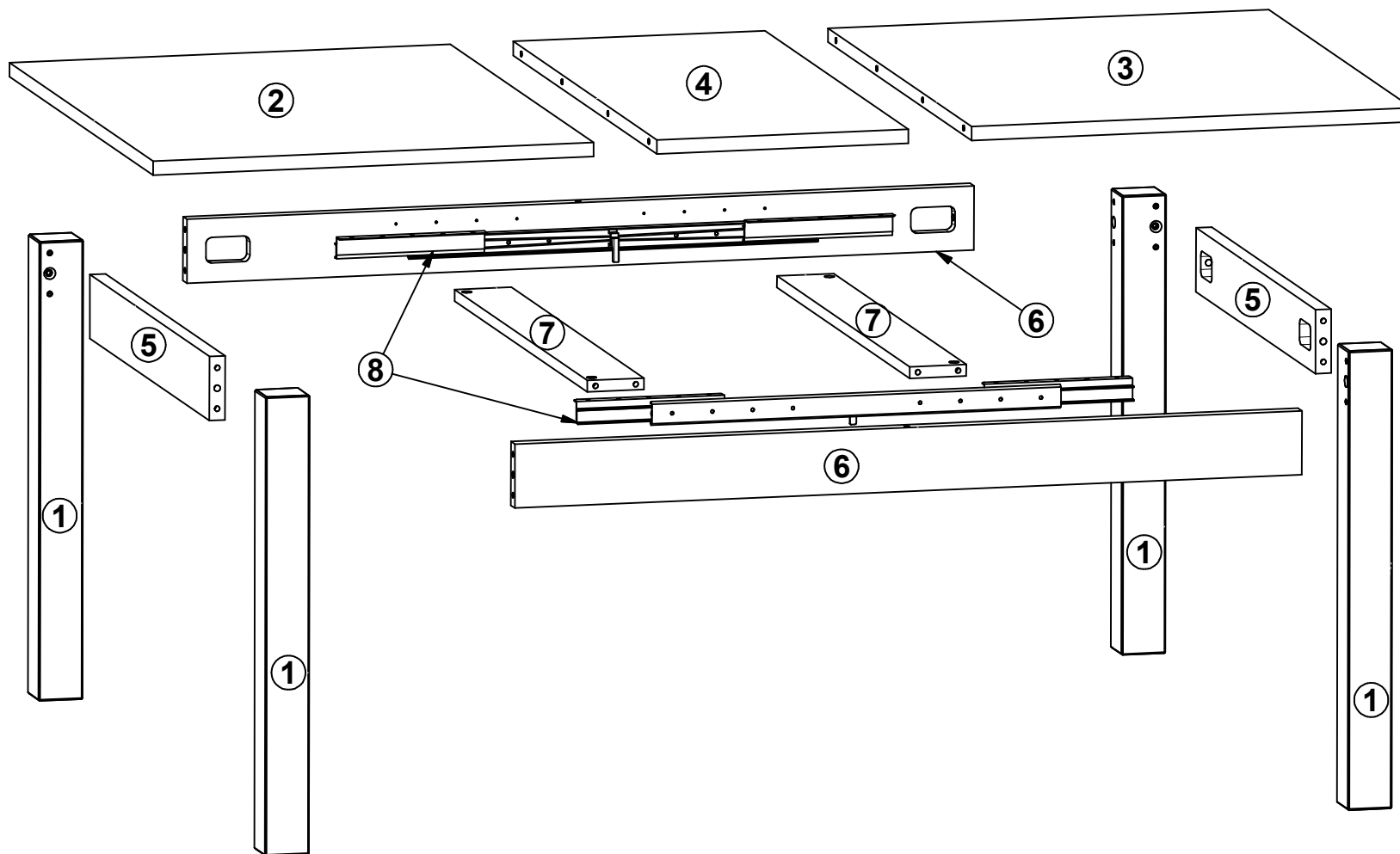
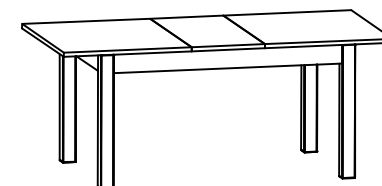


A

LIMES

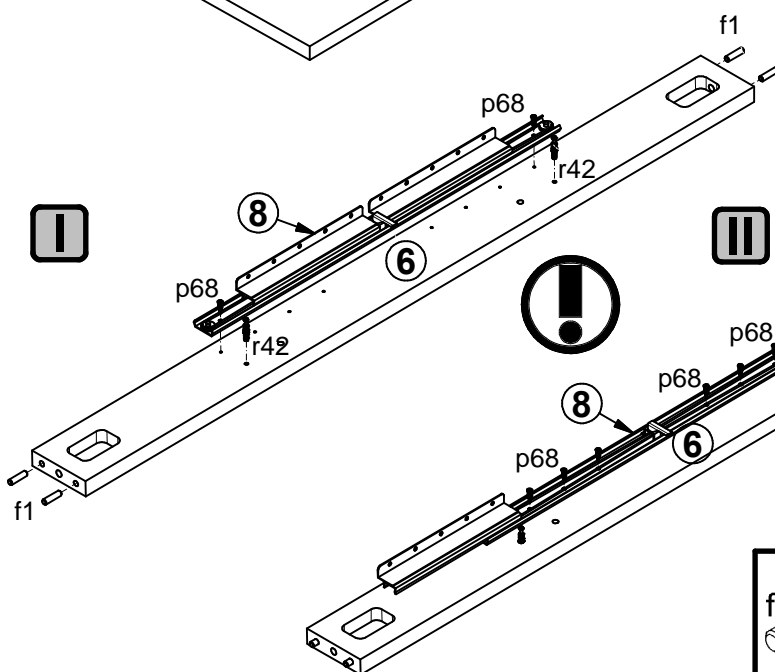
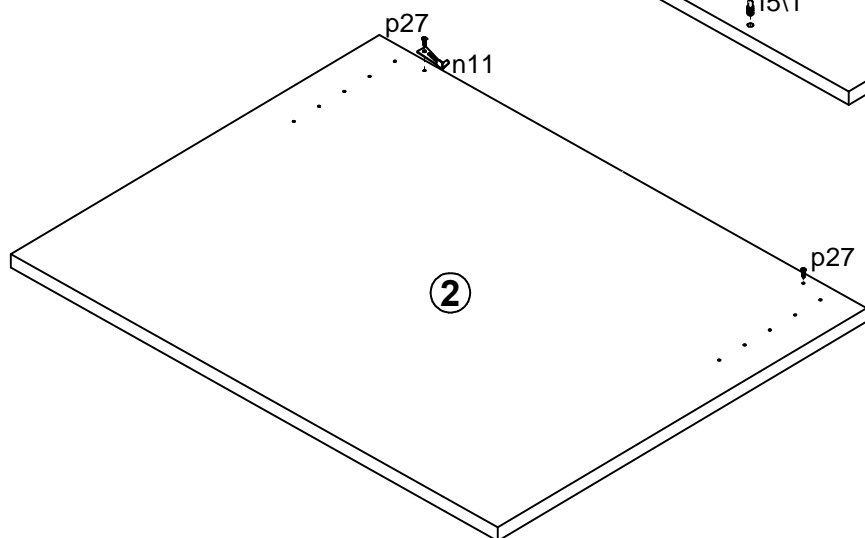
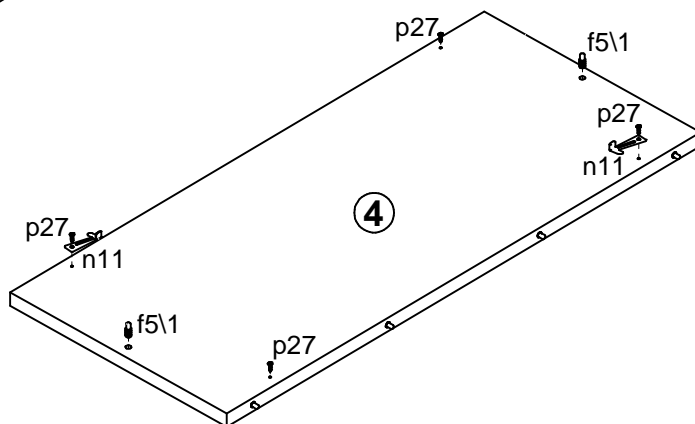
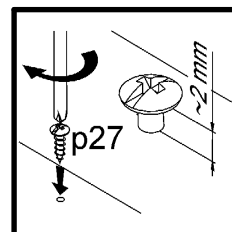
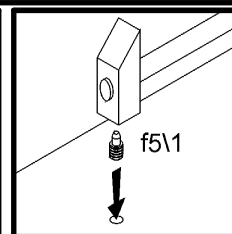
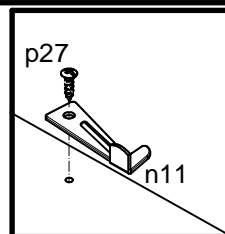
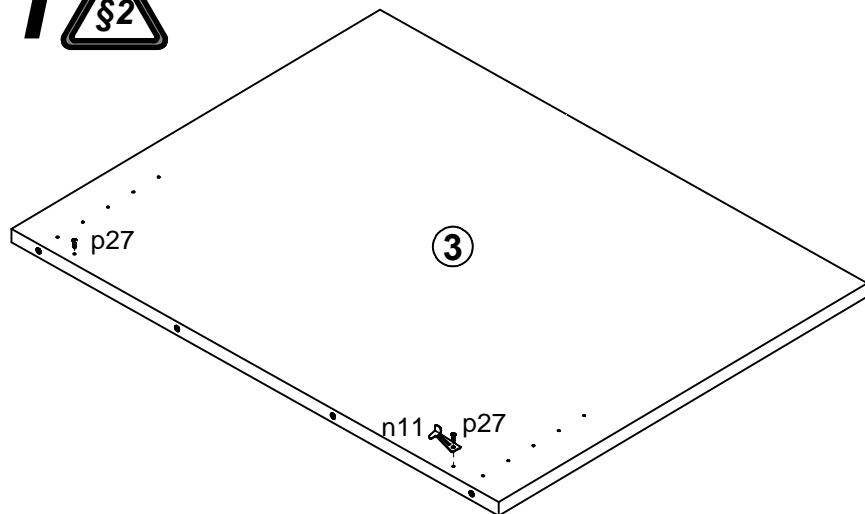
D09-LIMES

A	B	C	D	A	B	C	D	
1	TS1-167	718	70	2/3	5	TS1-493	750 100	3/3
2	TS1-286	900	700	1/3	6	TS1-494	1250 100	3/3
3	TS1-287	900	700	1/3	7	TS1-495	832 90	3/3
4	TS1-288	900	400	1/3	8	w131	650	3/3

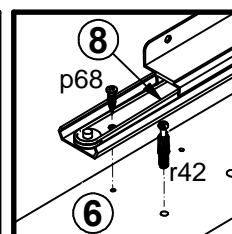
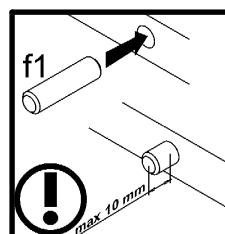
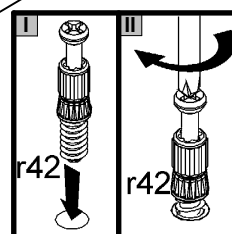


20x Ø8x30 mm f1	2x f511	8x M8x45 mm J75	4x k46	4x n11	8x Ø8/Ø22x2 mm o52	8x Ø3,5x13 mm p27	36x Ø4x20 mm p68	4x Ø15x12 mm #16 r1	4x r42	1x z16
-----------------------	------------	-----------------------	-----------	-----------	--------------------------	-------------------------	------------------------	---------------------------	-----------	-----------

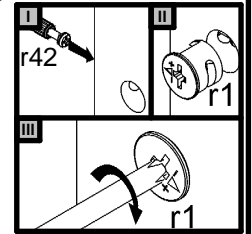
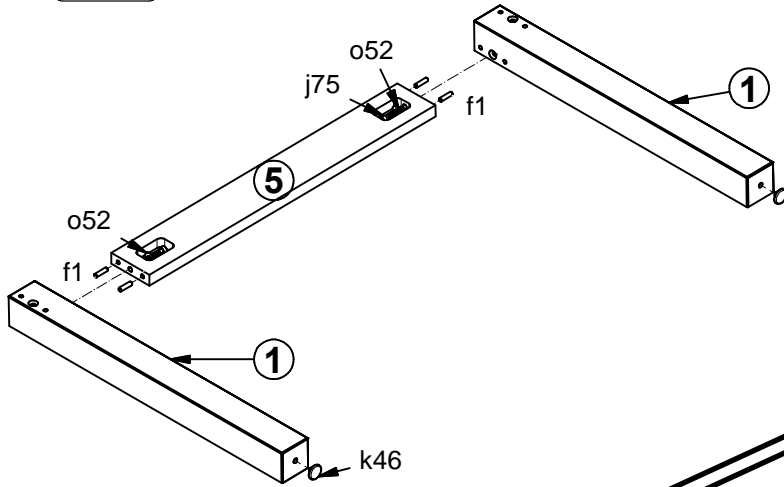
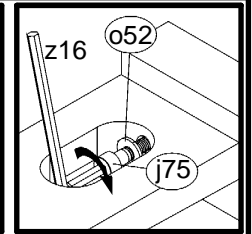
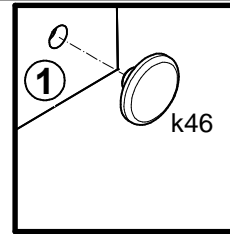
1 



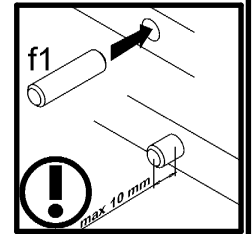
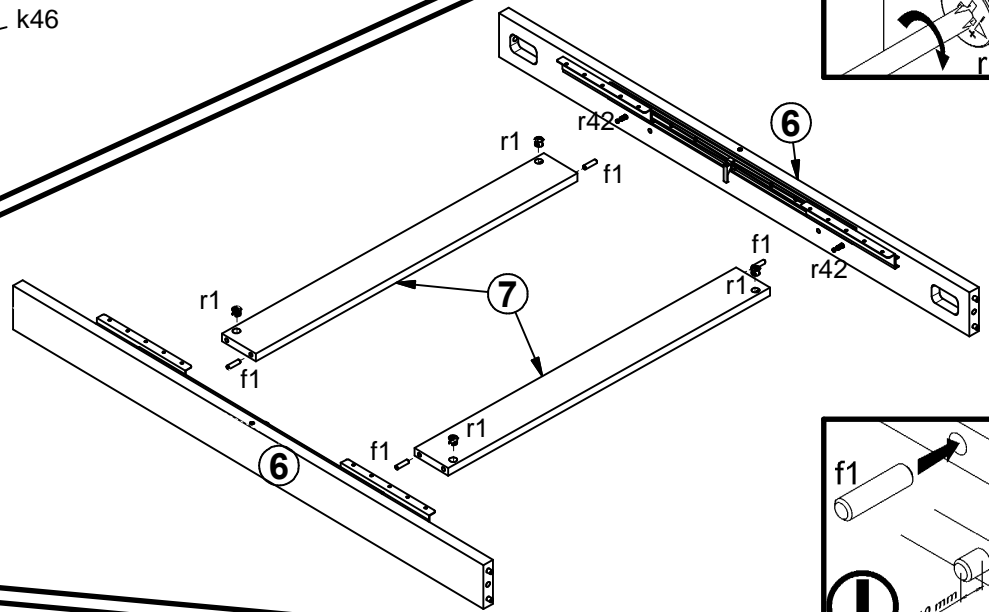
II



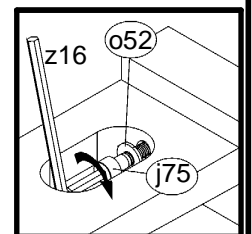
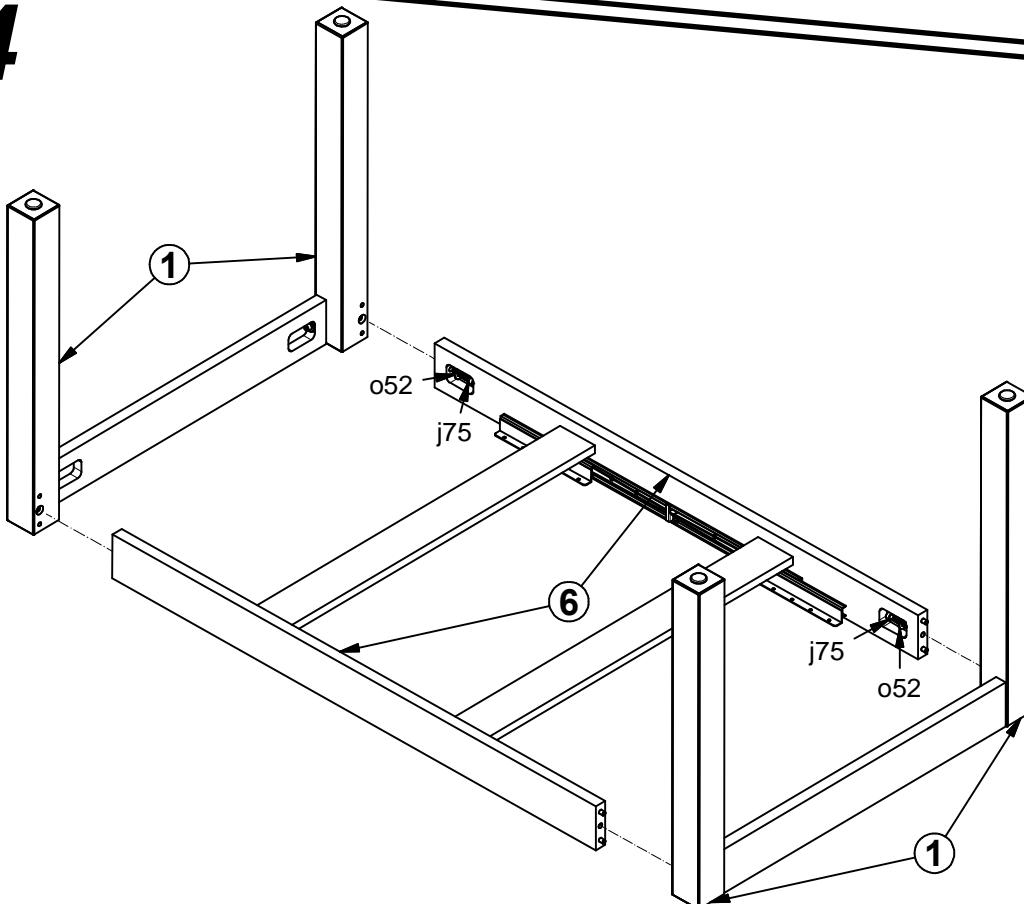
2 



3

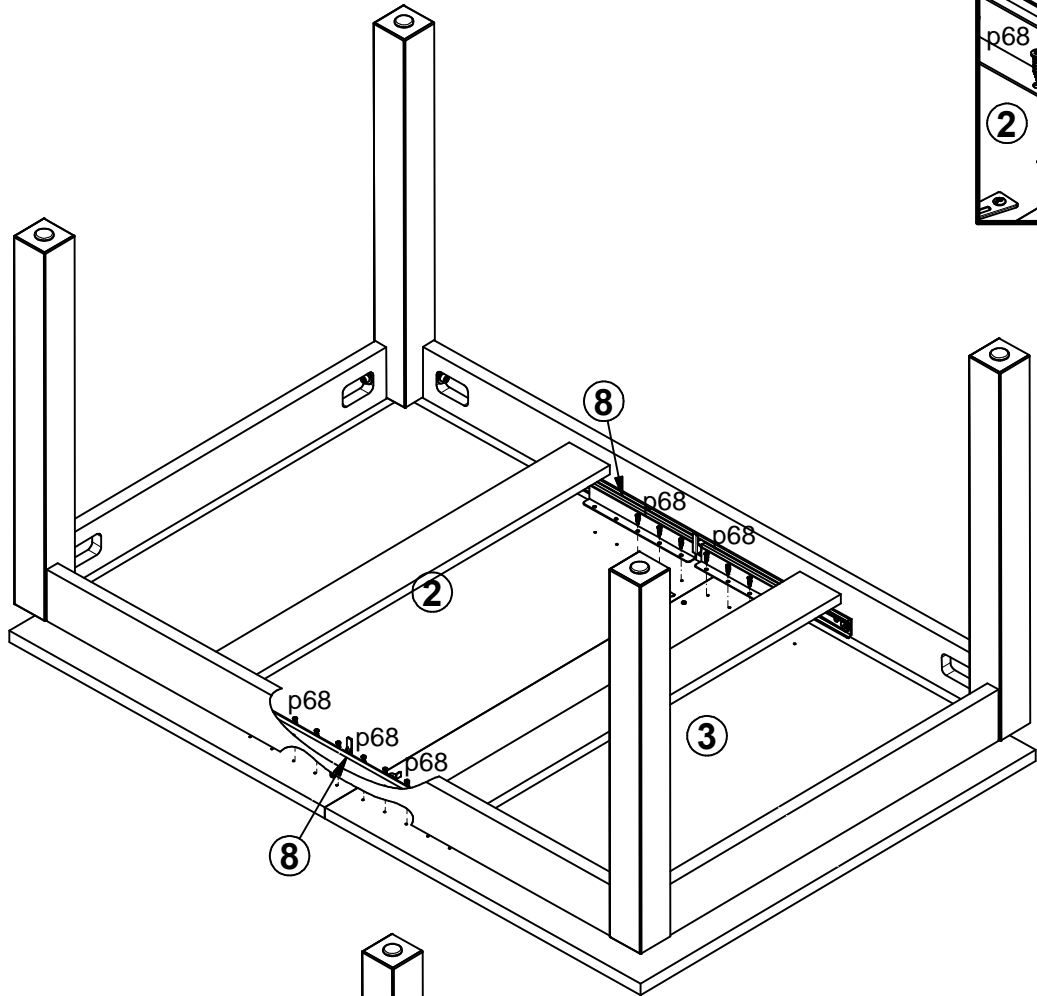


4

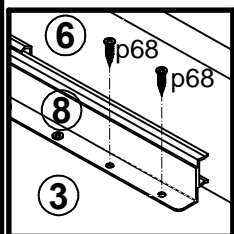
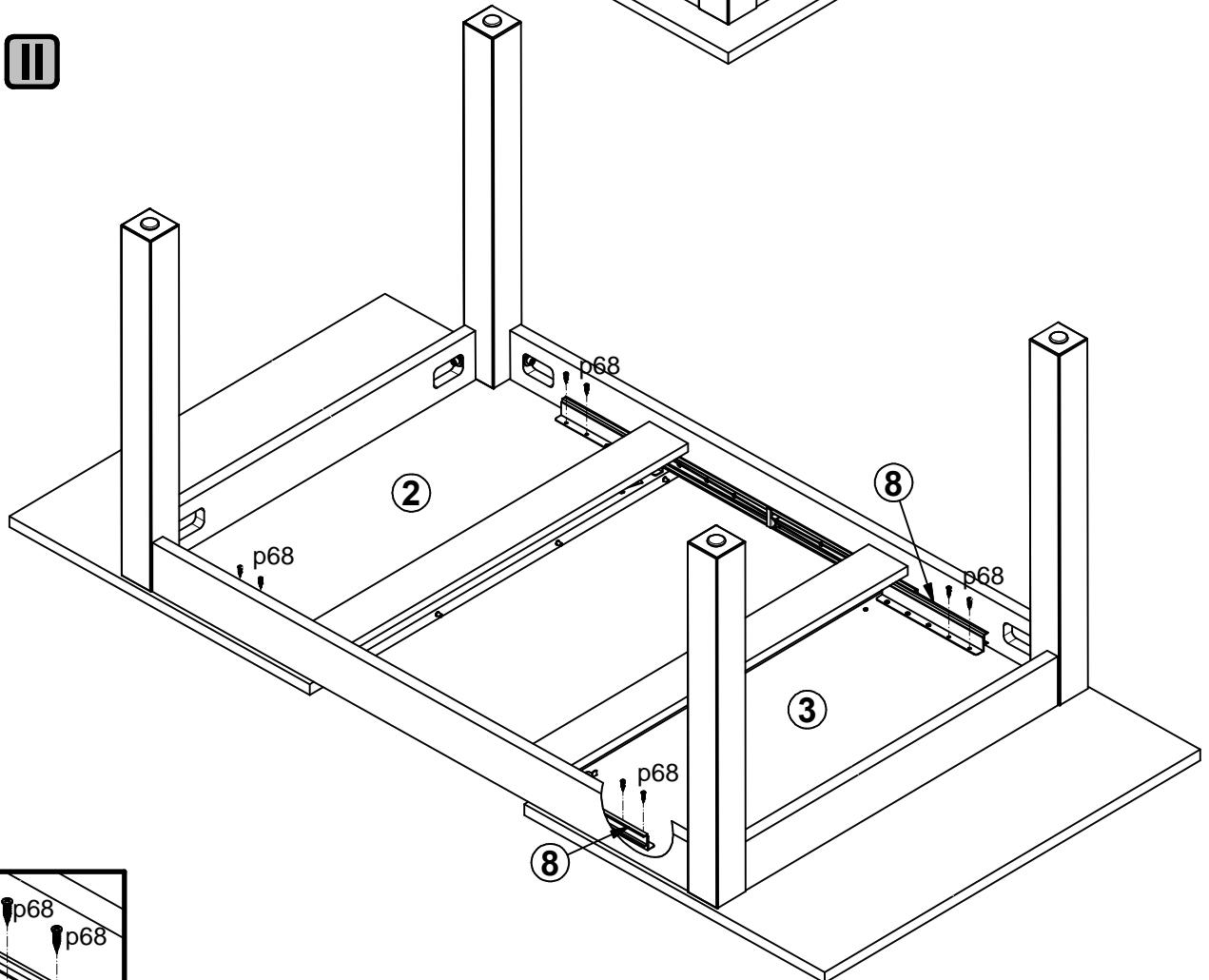


5

I

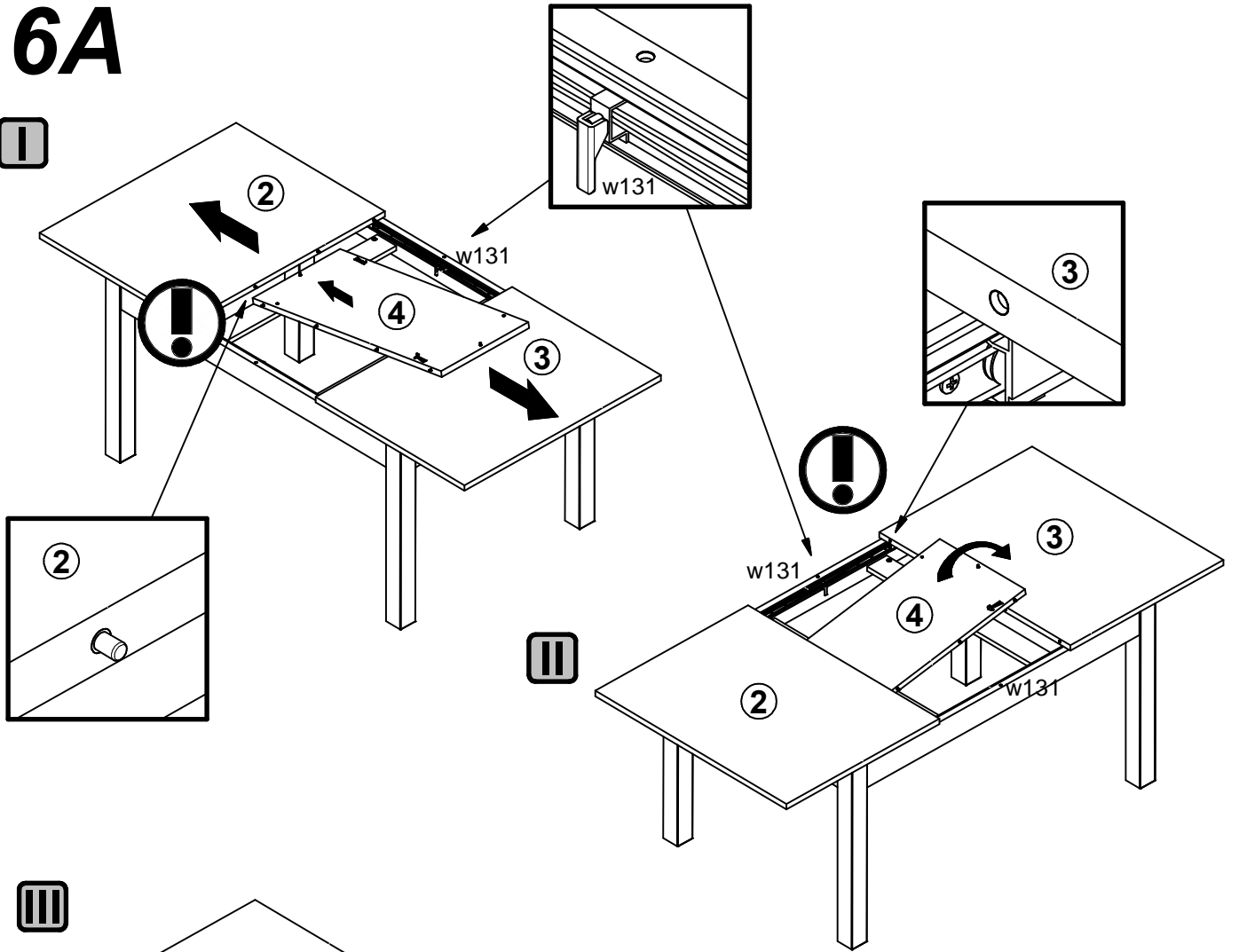


II

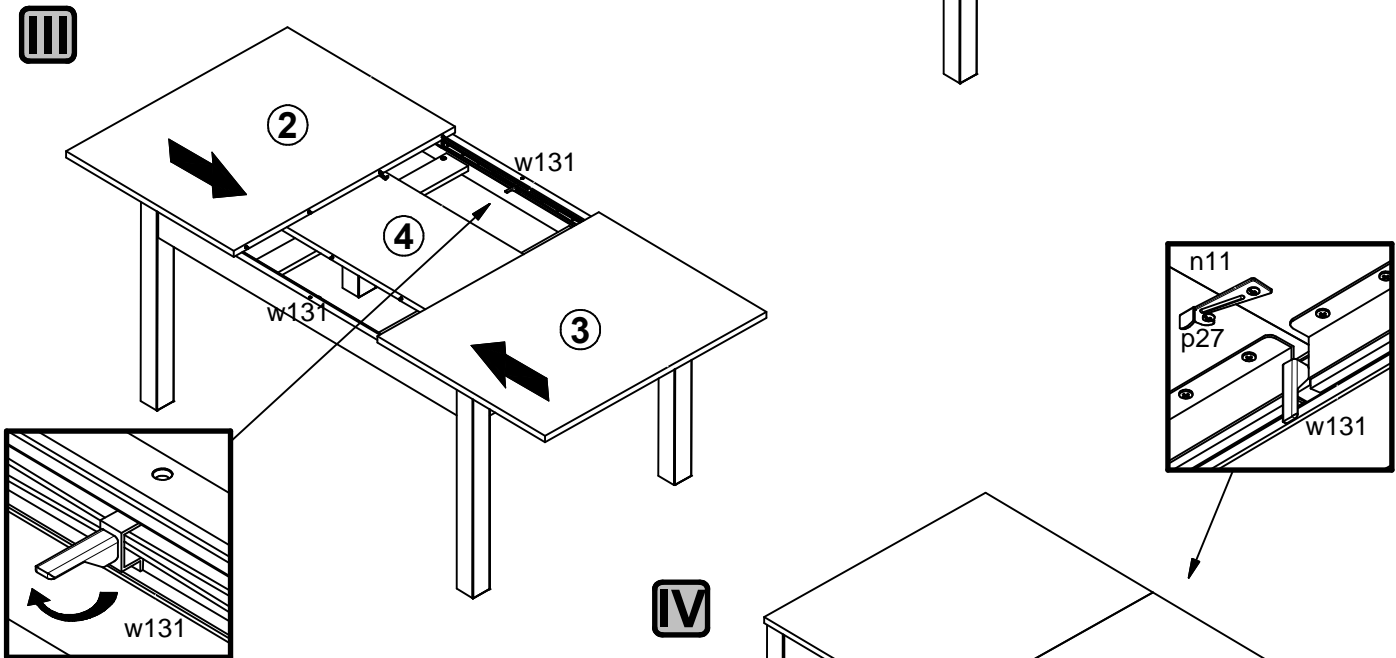


6A

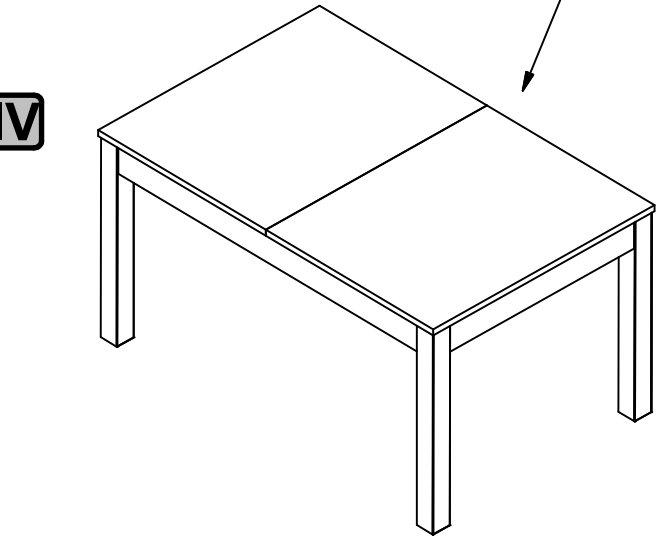
I



II

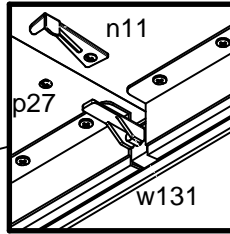
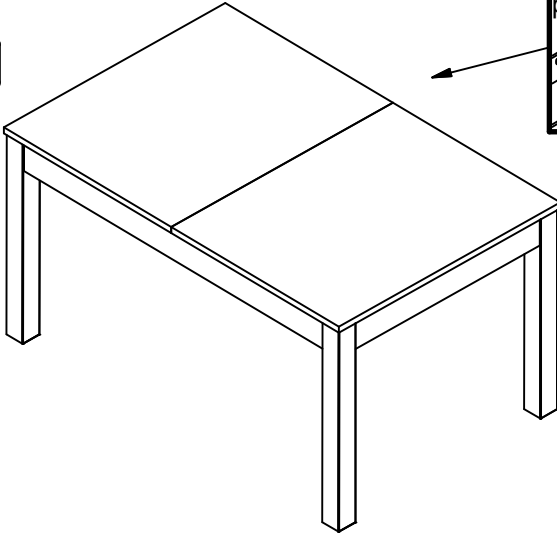


IV

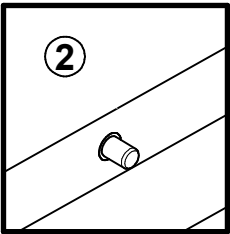
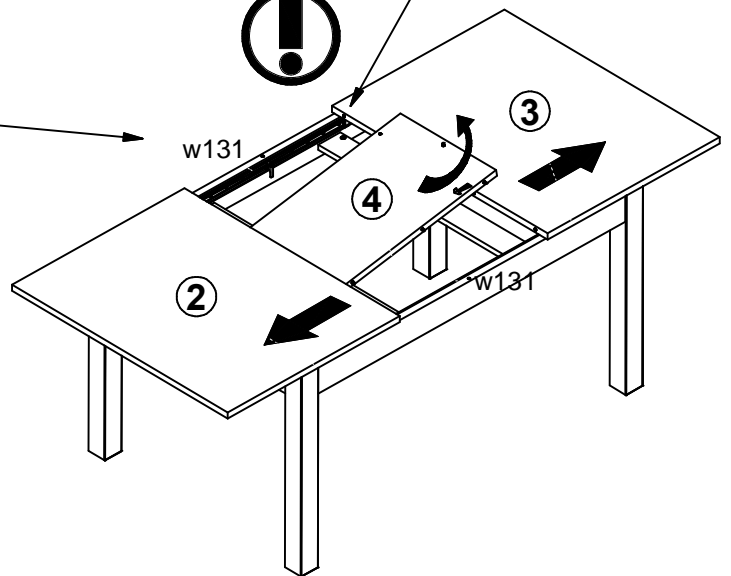
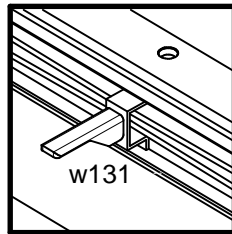
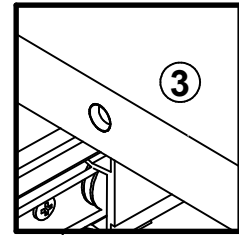


6A c.d.

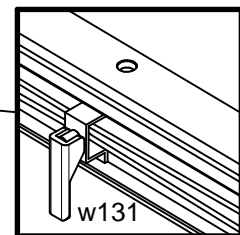
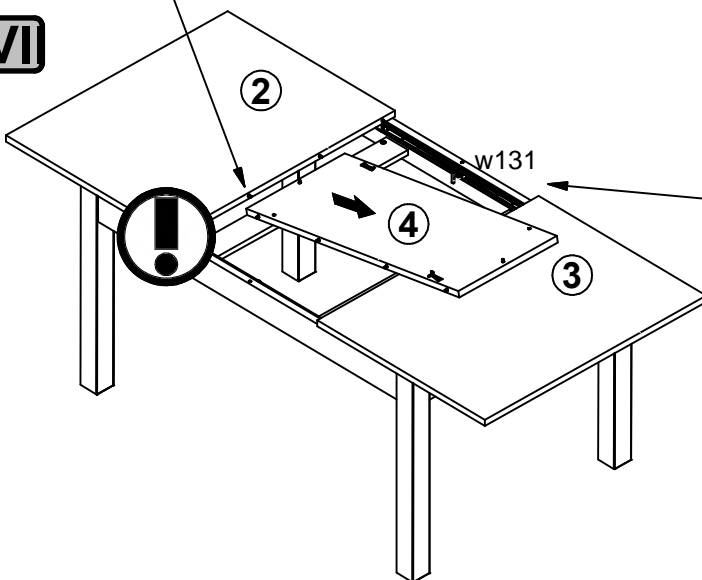
V



VI



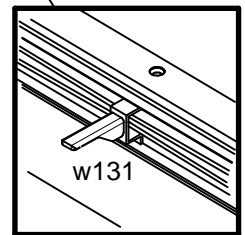
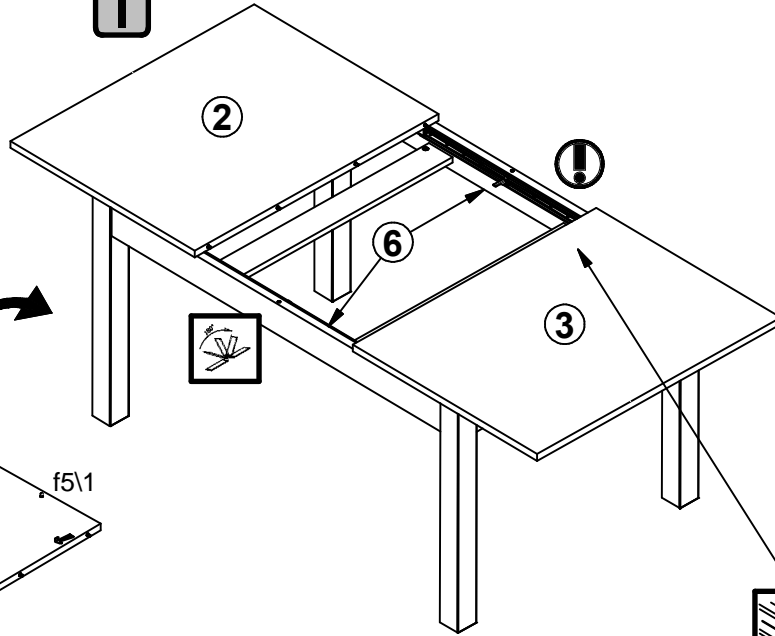
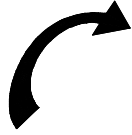
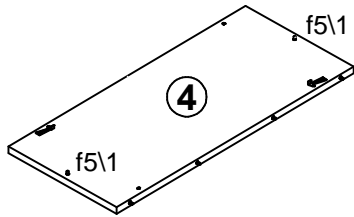
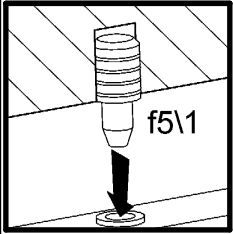
VII



6B



I



II

