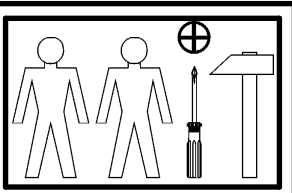
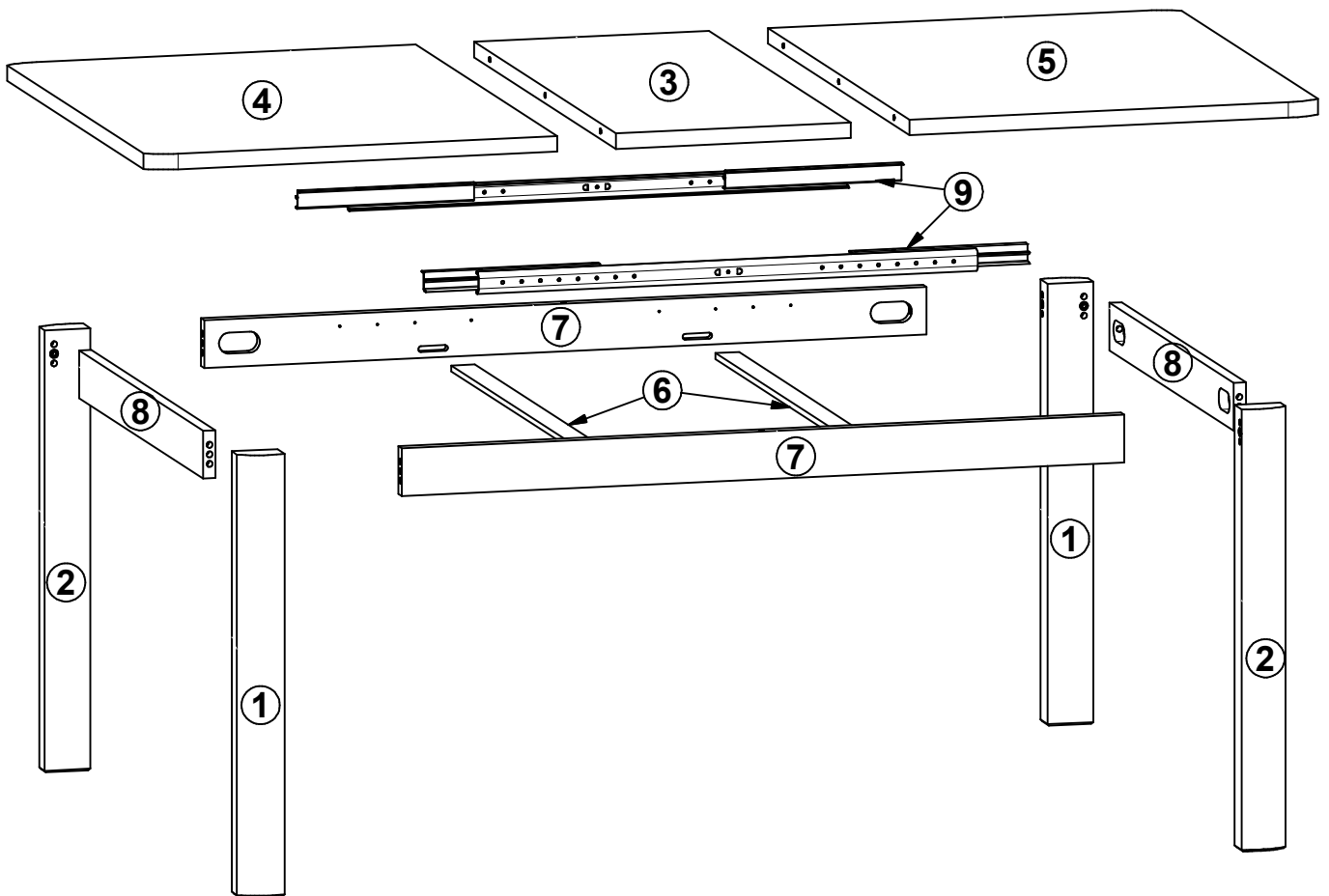
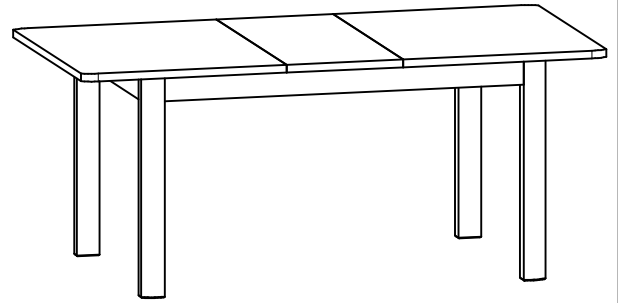


OREGON

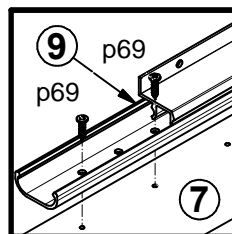
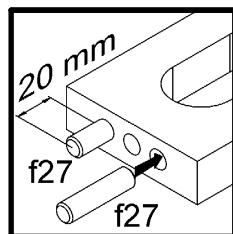
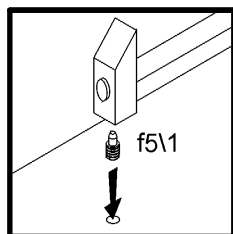
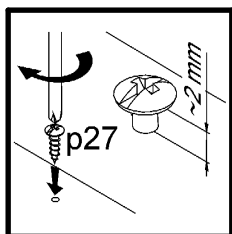
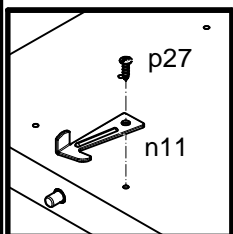
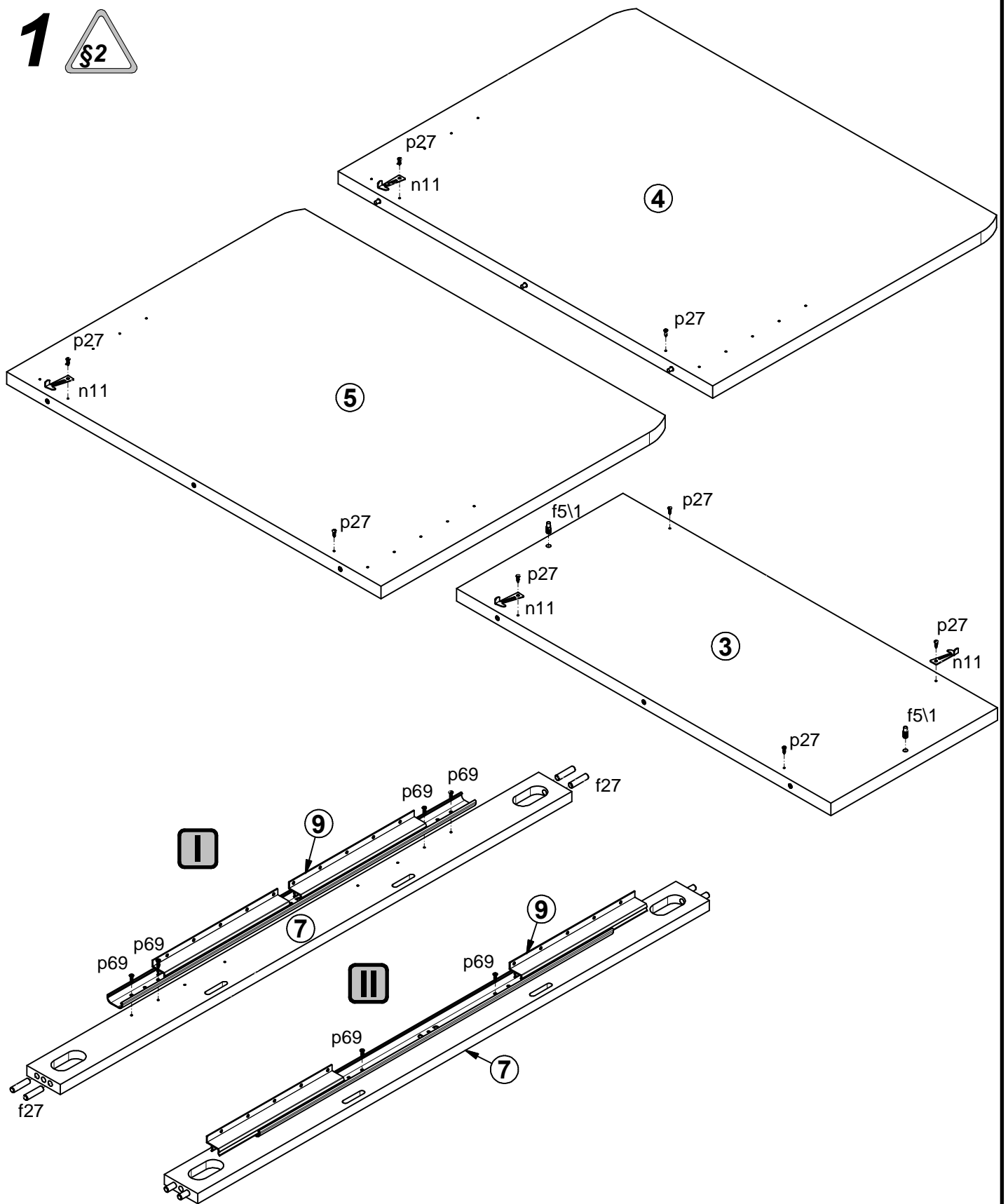
S157-STO/140

A	B	C	D
1	S157-133	740	78
2	S157-134	740	78
3	S157-219	900	400
4	S157-220	900	700
5	S157-221	900	700
6	S157-416	860	40
7	S157-417	1230	80
8	S157-418	788	80
9	w102	850	

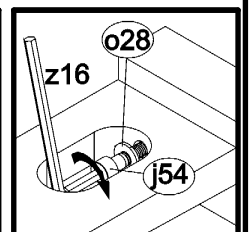
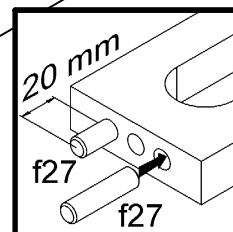
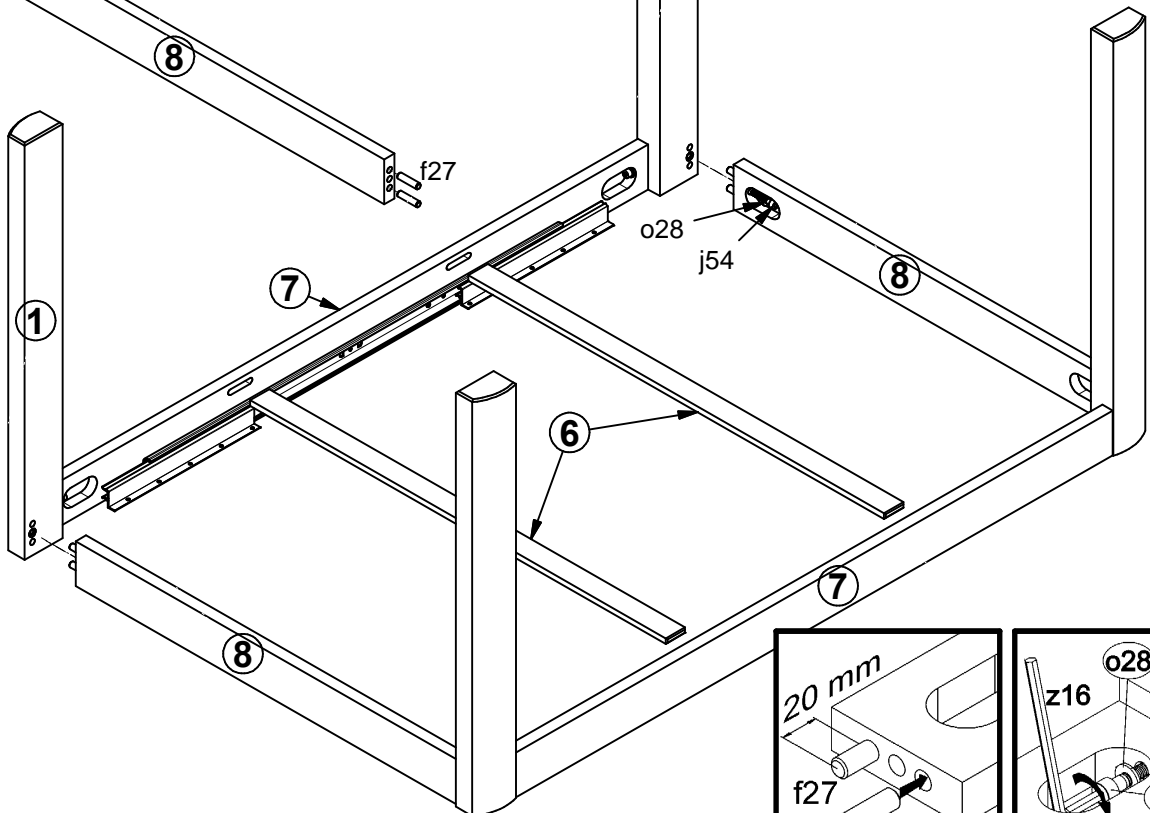
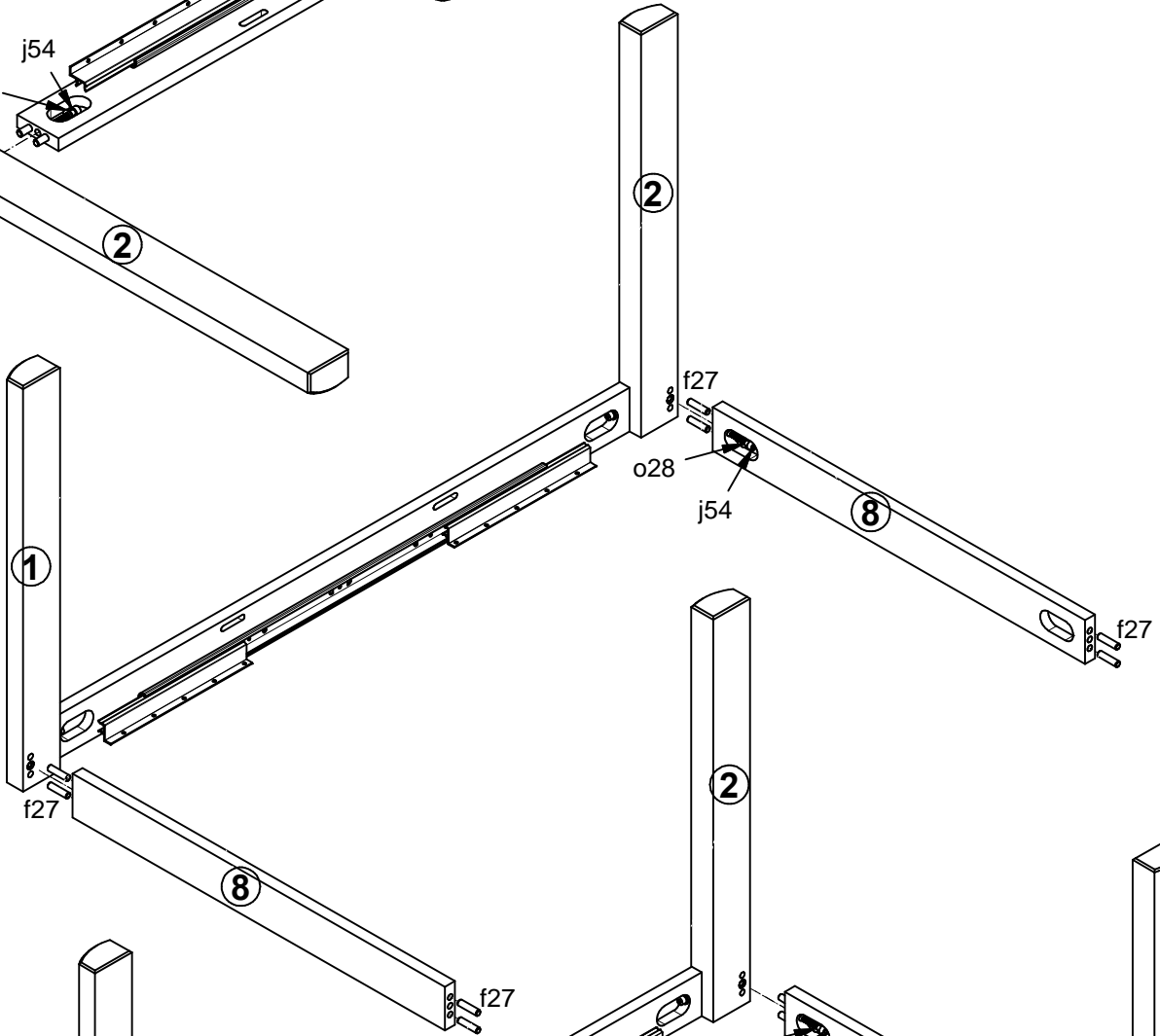
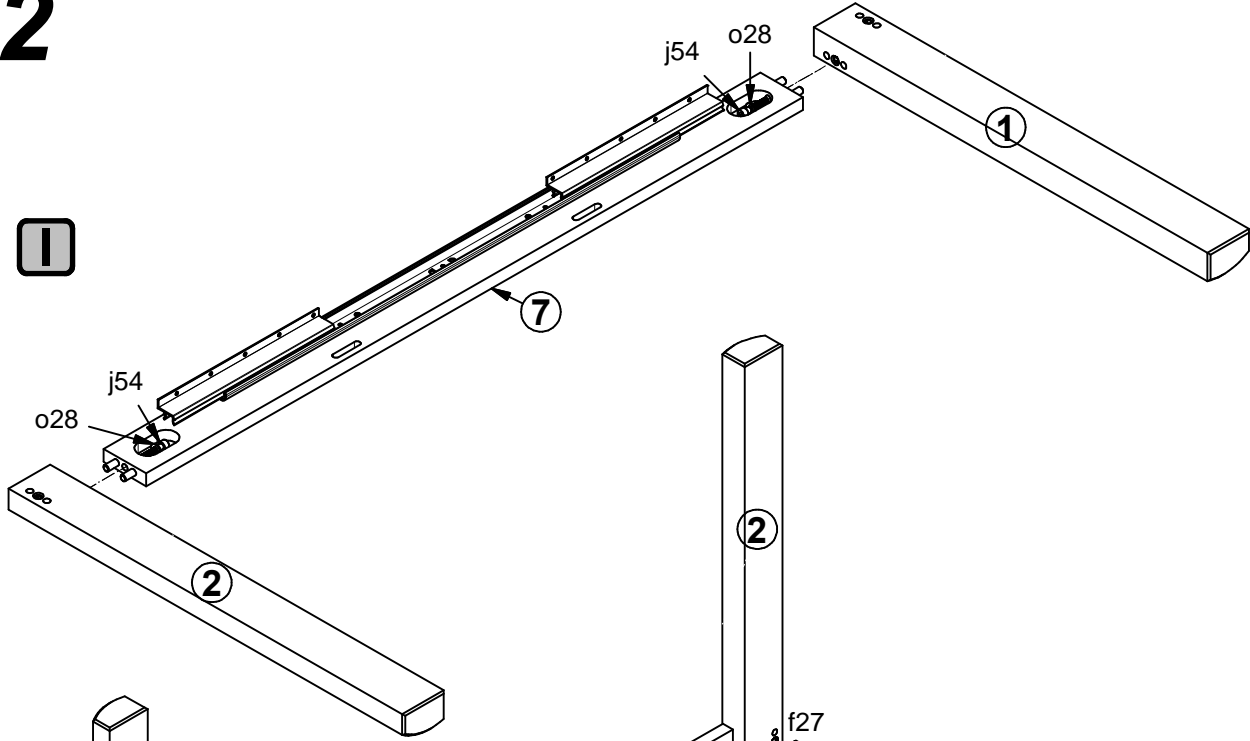


16x φ10x40 mm f27	2x metalowy f5\1	8x M8x40 mm j54	4x n11	8x φ8φ17x1.8 mm o28	8x φ3,5x13 mm p27	28x φ4x16 mm p69	1x 6mm z16
-------------------------	------------------------	-----------------------	-----------	---------------------------	-------------------------	------------------------	------------------

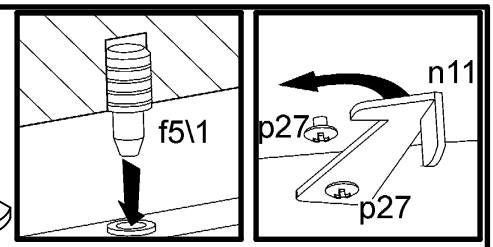
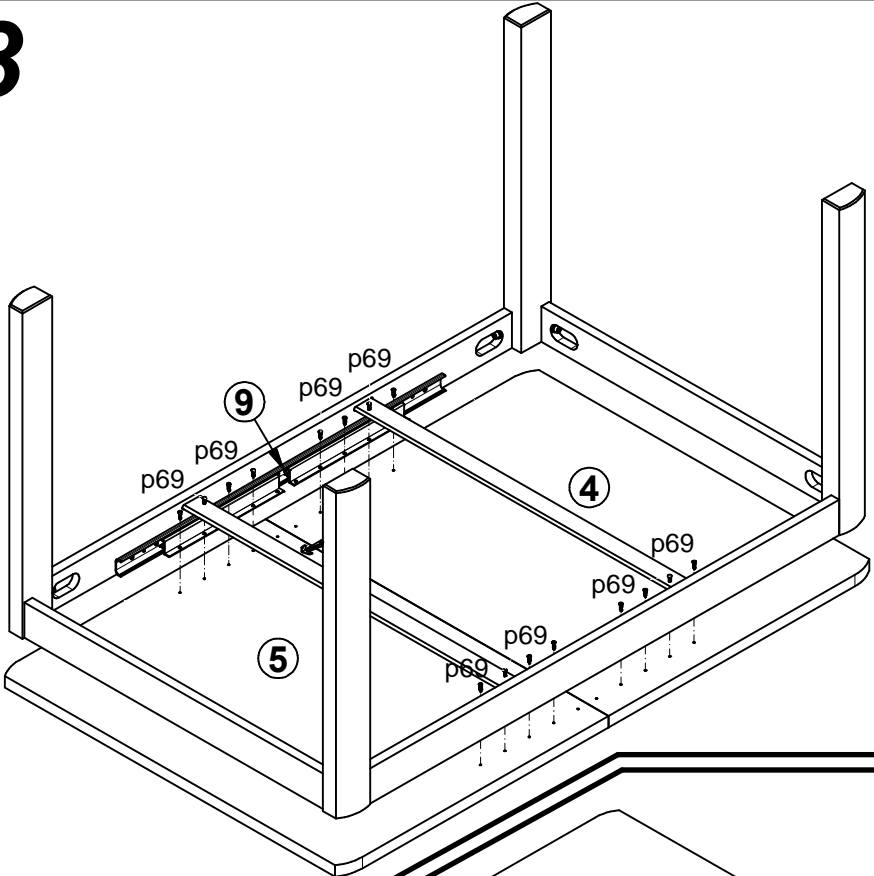
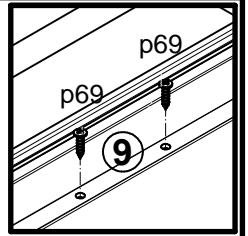
1



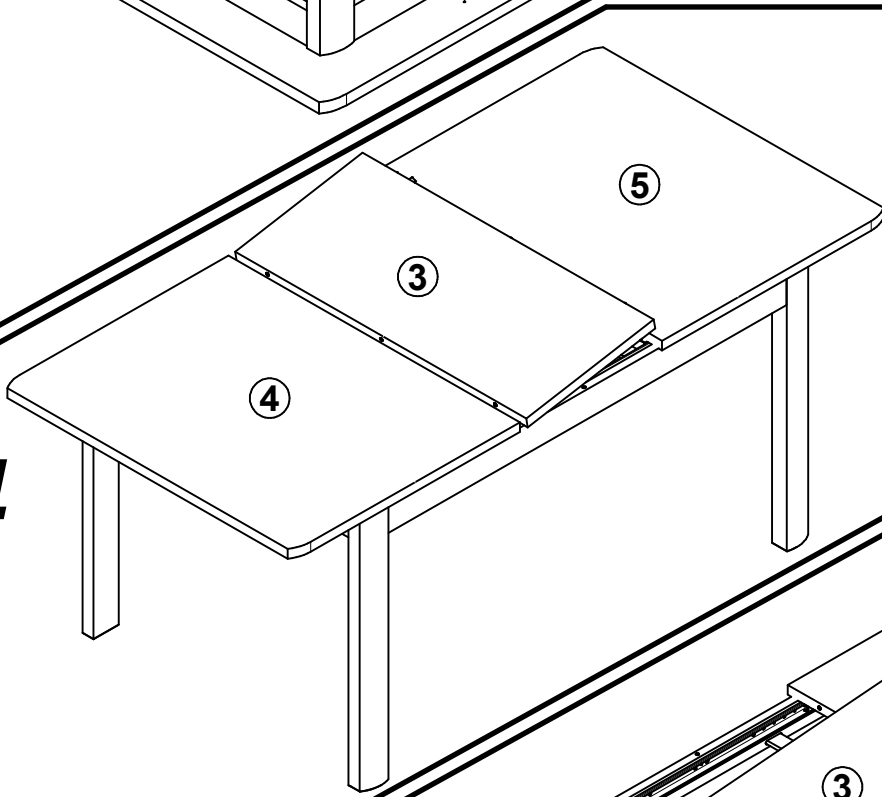
2



3



4



5

